



Illustrated Parts List

Model Series

295700

AIR COOLED

TYPE NUMBER

0100, 0112, 0113, 0114, 0115.

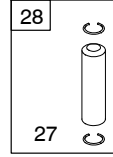
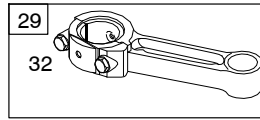
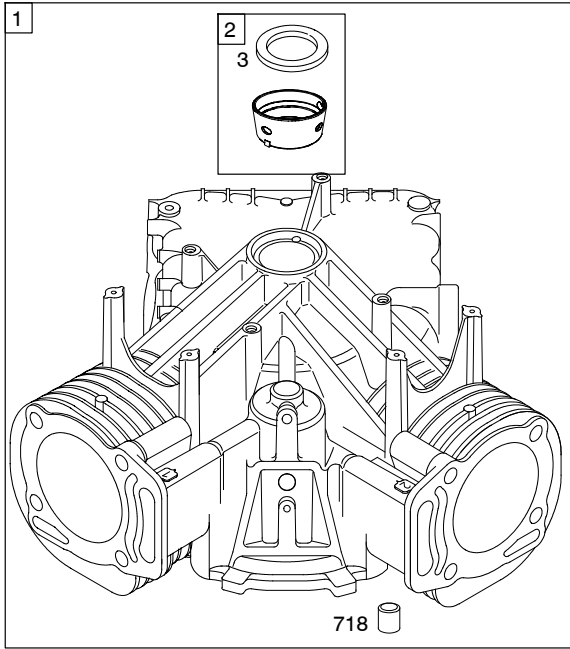
TABLE OF CONTENTS

Air Cleaner	5
Alternator	8
Blower Housing	9
Camshaft	2
Carburetor	4
Carburetor Overhaul Kit	11
Controls	8
Crankshaft	2
Crankcase Cover/Sump	2
Cylinder	2
Cylinder Head	3
Electric Starter	7
Engine Gasket Set	11
Exhaust System	6
Flywheel	9
Fuel Supply	4
Governor Spring	8
Ignition	8
Intake Manifold	6
Lubrication	7
Piston/Rings/Connecting Rod	2
Rewind Starter	9
Shrouds	10
Valve Gasket Set	11

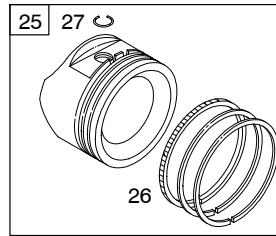


PRINTED IN U.S.A.

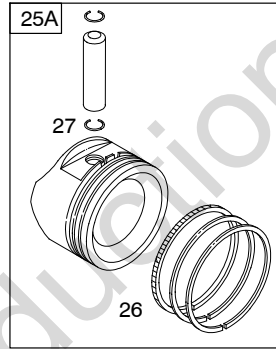
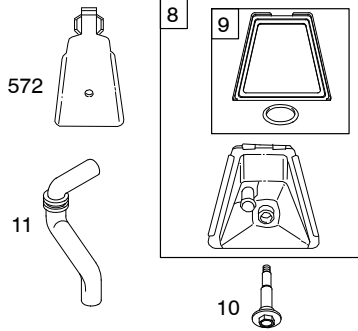
COPYRIGHT by BRIGGS & STRATTON CORPORATION
All rights reserved. No part of this material may be reproduced or transmitted, in any form or by any means, electronic or mechanical, including photocopying, recording or by any information storage and retrieval system, without permission in writing from Briggs & Stratton Corporation.



USED AFTER DATE CODE: 07062900



USED BEFORE DATE CODE: 07063000



1036 EMISSIONS LABEL

1058 OPERATOR'S MANUAL

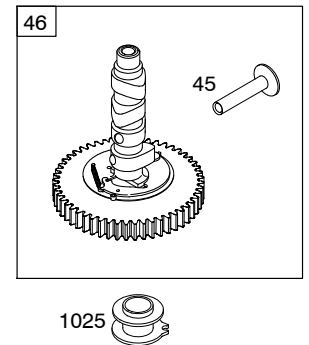
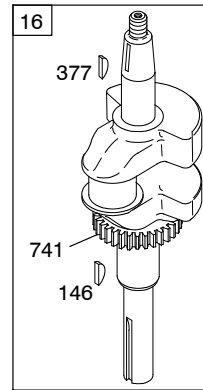
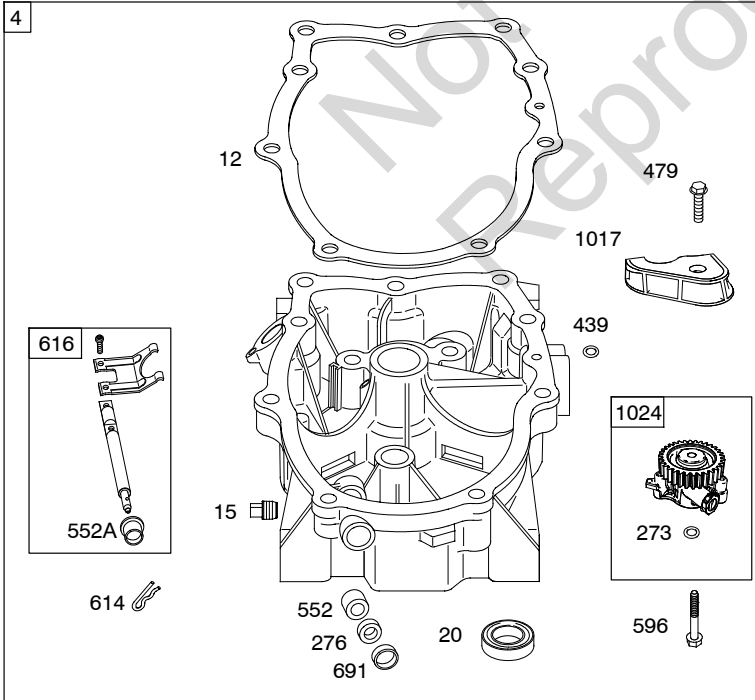
1330 REPAIR MANUAL

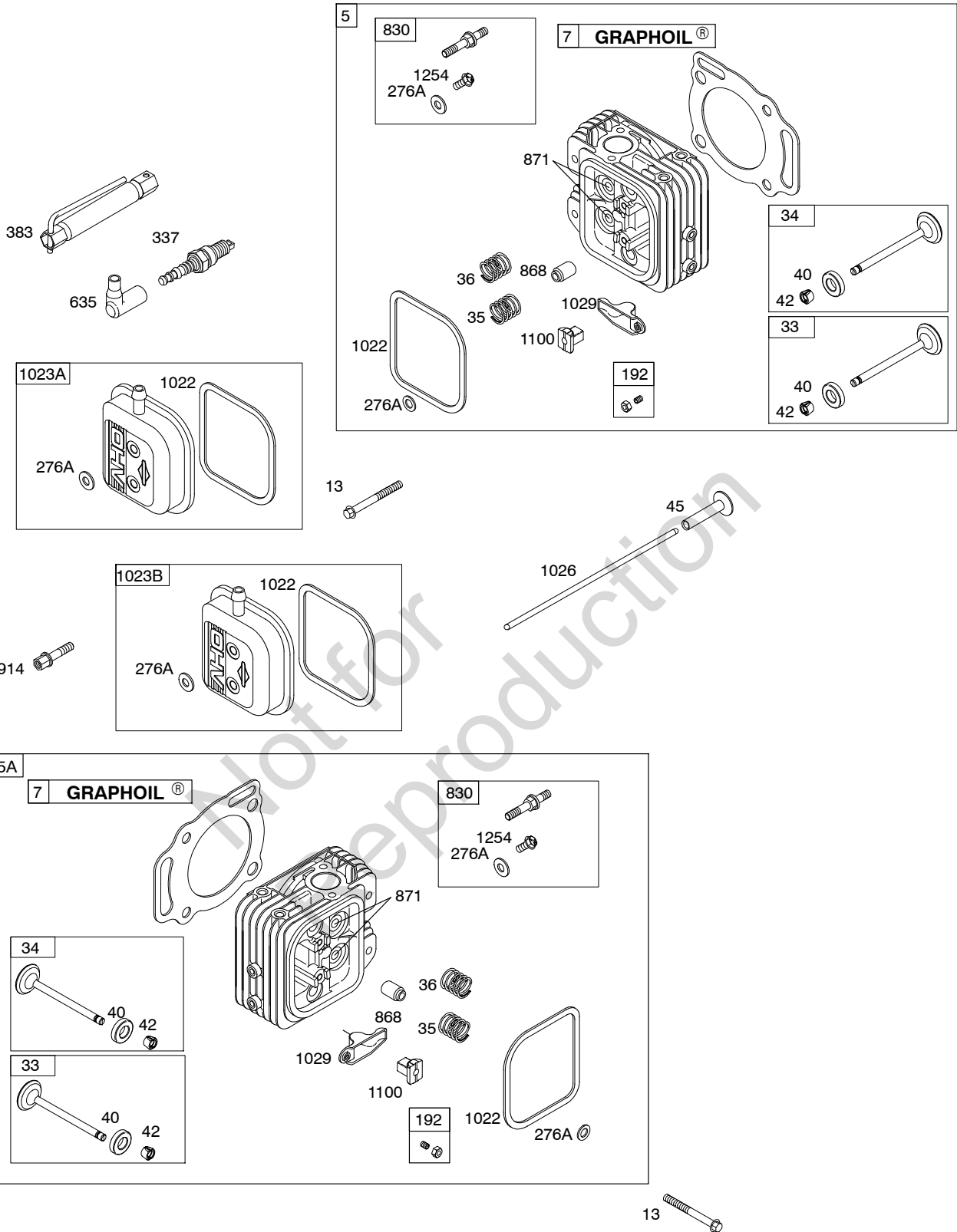
1319 WARNING LABEL

WARNING

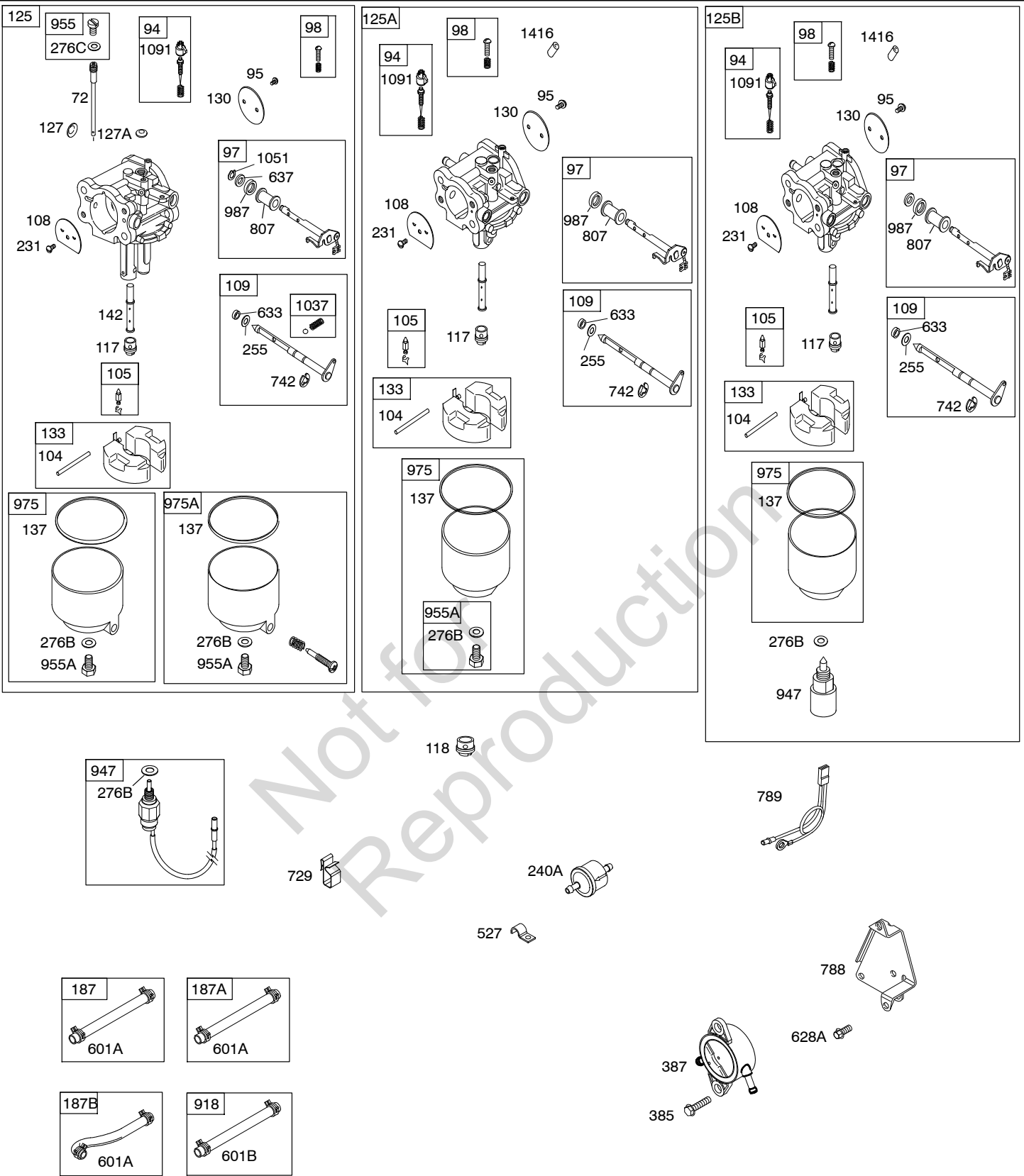
- Read and follow Operating Instructions before running engine.
- Gasoline is flammable. Allow engine to cool at least 2 minutes before refueling.
- Engines emit carbon monoxide, DO NOT run in enclosed area.
- Muffler area temperature may exceed 150°F. Do not touch hot parts.

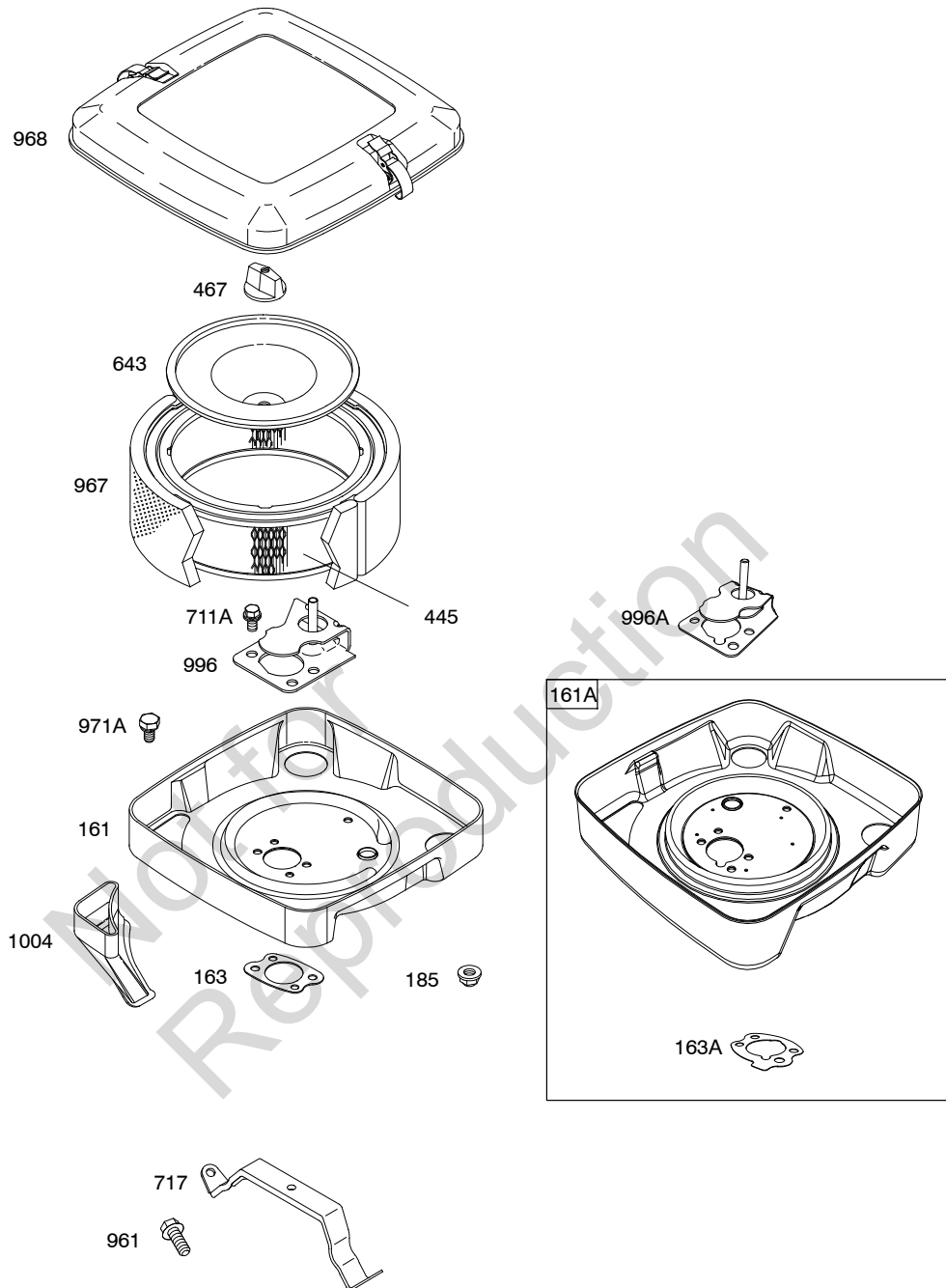
REQUIRED when replacing parts with warning labels affixed.

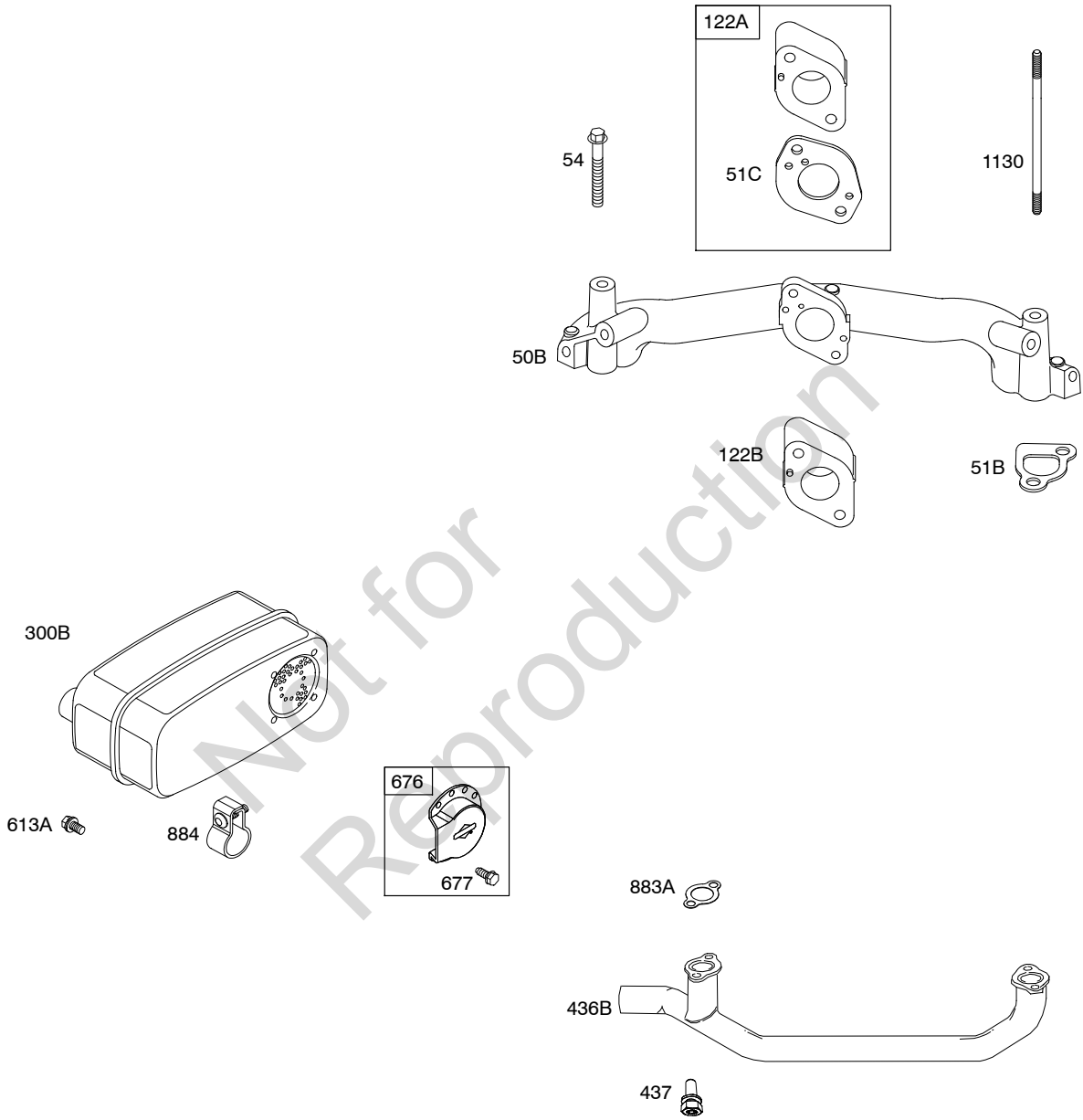


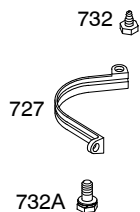
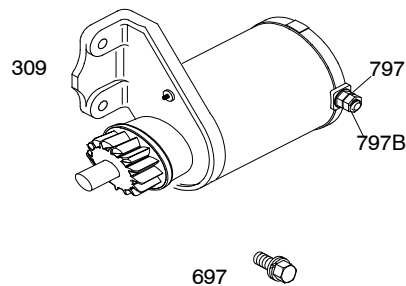
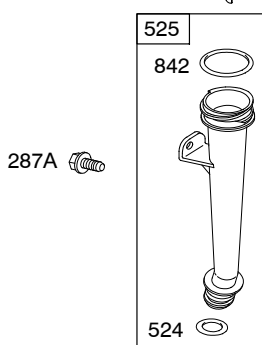
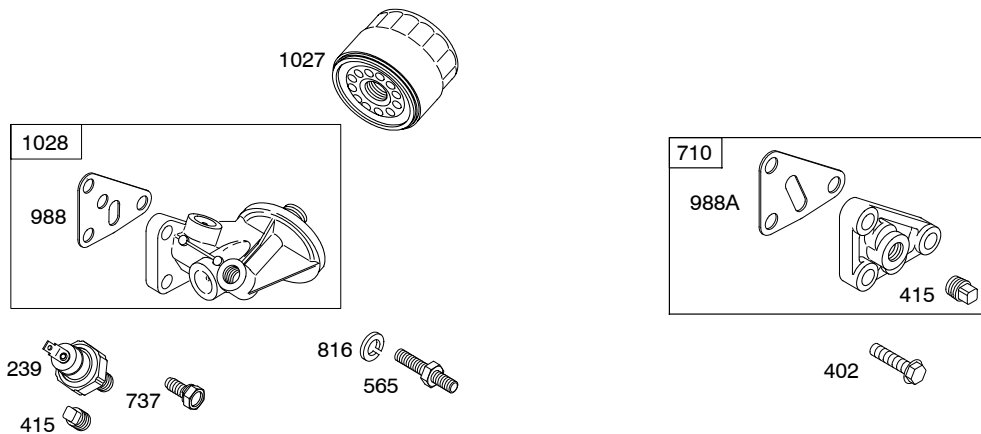


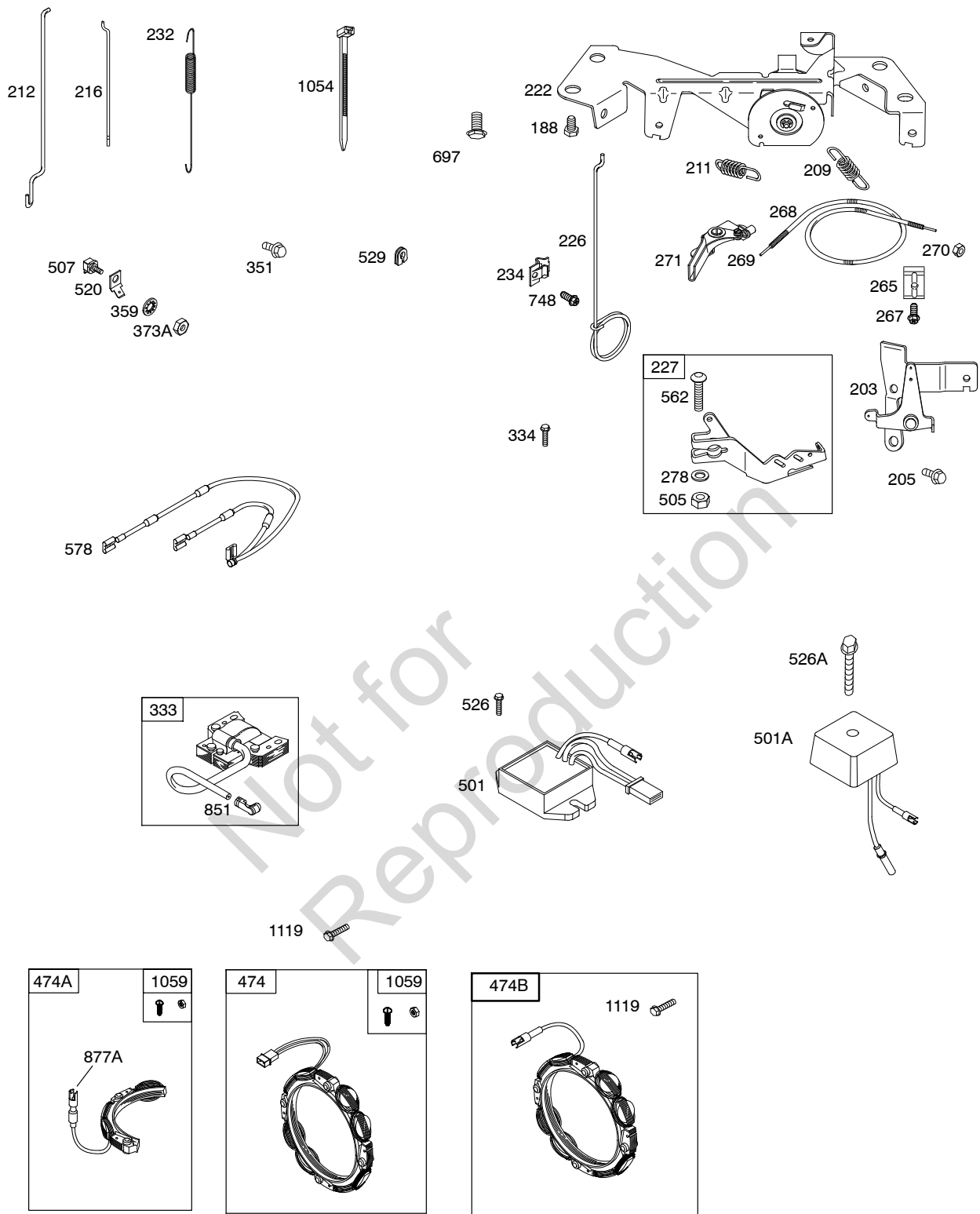
295700









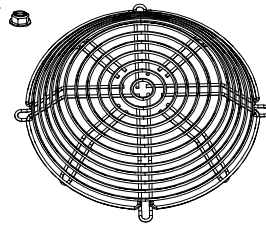




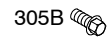
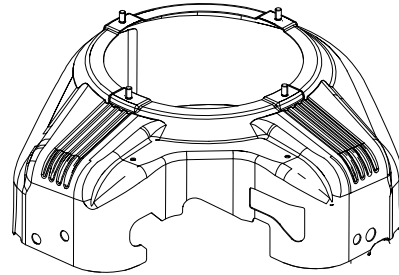
1392



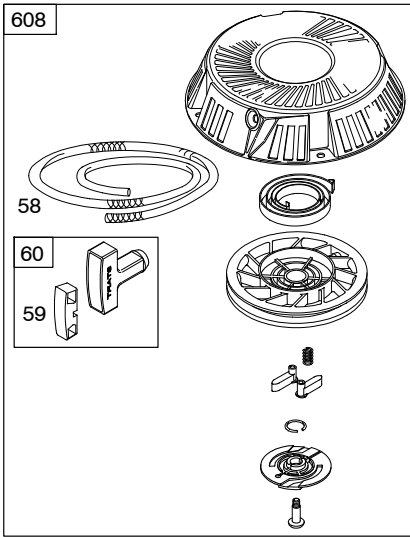
930



304



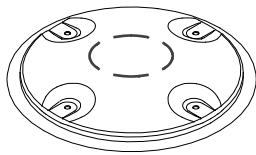
729



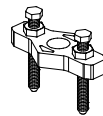
74A



73A



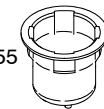
363



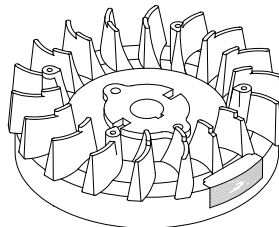
332



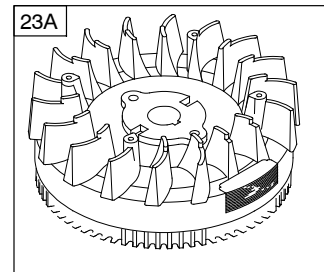
455

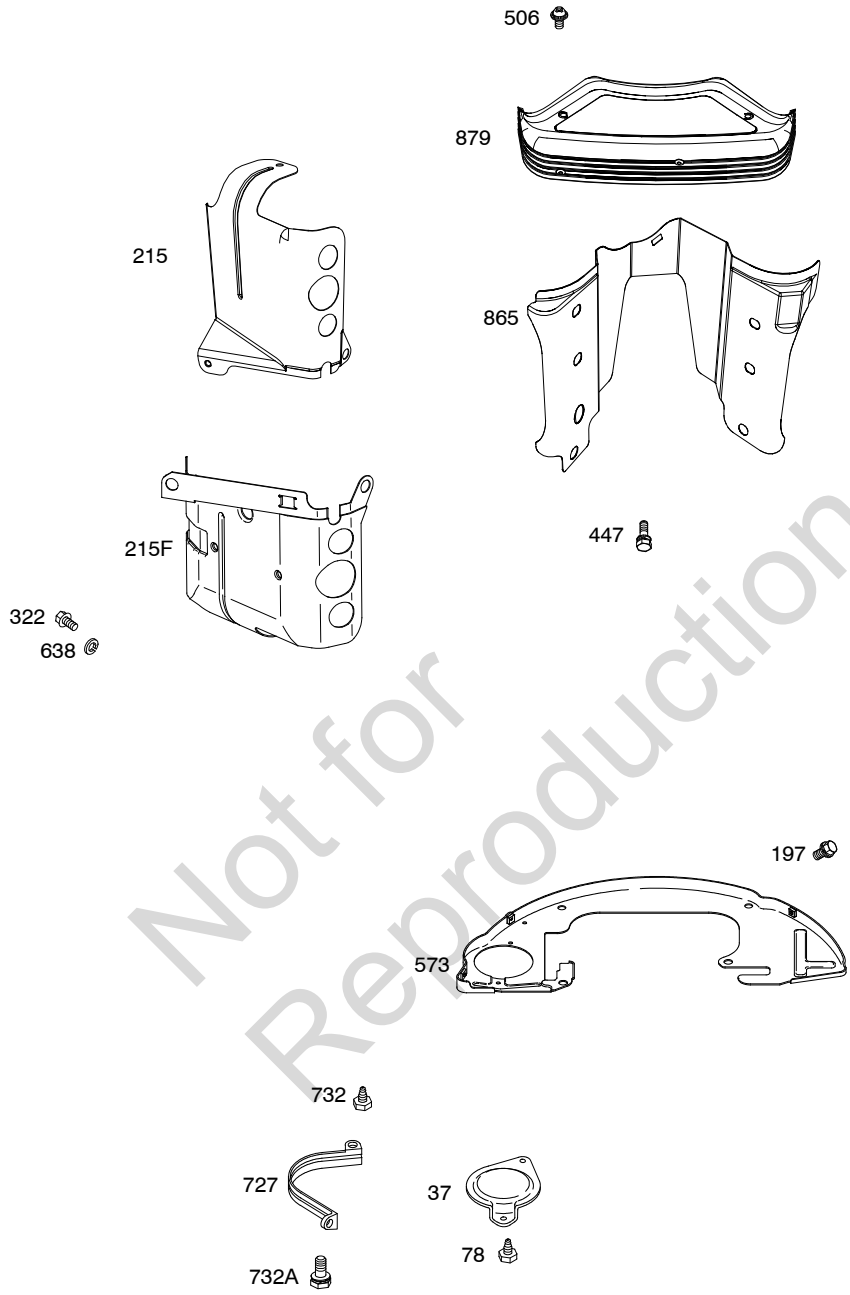


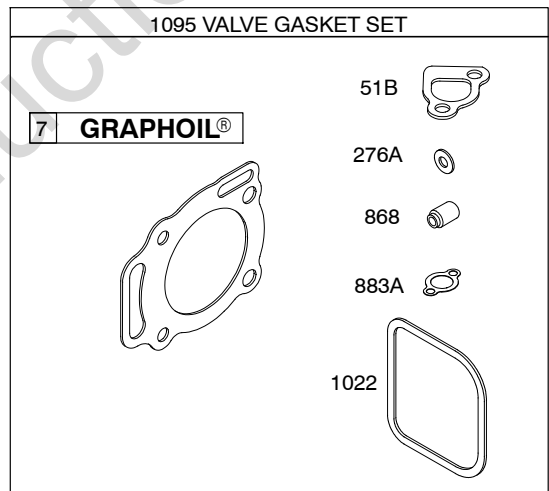
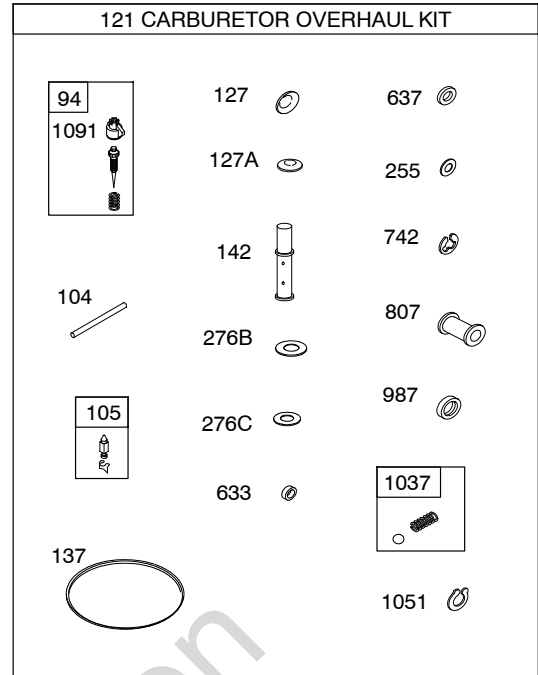
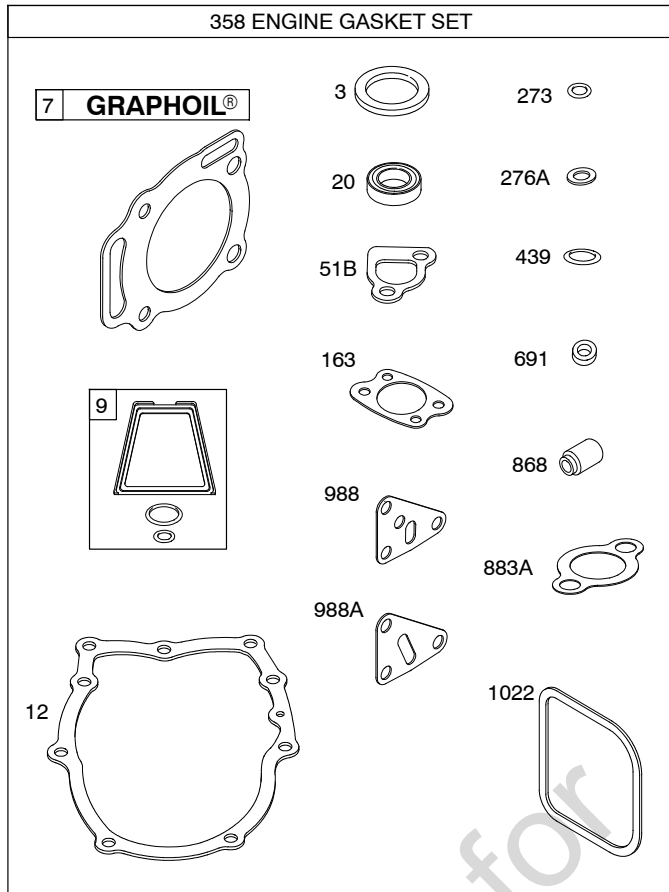
23



23A







295700

REF. NO.	PART NO.	DESCRIPTION	REF. NO.	PART NO.	DESCRIPTION	REF. NO.	PART NO.	DESCRIPTION
1	692543	Cylinder Assembly	26	843953	Ring Set (Standard)	94	844912	Kit-Idle Mixture (Used Before Code Date 10010700).
2	808534	Kit-Bushing/Seal (Magneto Side)			(Used After Code Date 07122300).			----- Note -----
3	805101s	Seal-Oil (Magneto Side)			----- Note -----			842888 Kit-Idle Mixture
4	843954	Sump-Engine			8843957 Ring Set (.020" Oversize)			(Used After Code Date 10010600).
5	809200	Head-Cylinder (Cylinder 1)	27	690683	Lock-Piston Pin	95	690718	Screw (Throttle Valve)
5A	809201	Head-Cylinder (Cylinder 2)	28	844541	Pin-Piston	97	844904	Shaft-Throttle (Used After Code Date 10010600).
7	806085s	Gasket-Cylinder Head	29	807900s	Rod-Connecting			----- Note -----
8	808988	Breather Assembly	32	690698	Screw (Connecting Rod)			842650 Shaft-Throttle (Used Before Code Date 10070700 and After Code Date 05063000).
9	844986	Gasket-Breather	33	807681	Valve-Exhaust			808323 Shaft-Throttle (Used Before Code Date 05070100).
10	690751	Screw (Breather Assembly)	34	807680	Valve-Intake			----- Note -----
11	806083s	Tube-Breather (Used Before Code Date 10010700).	35	692084	Spring-Valve (Intake)			842650 Shaft-Throttle (Used Before Code Date 10070700 and After Code Date 05063000).
		----- Note -----	36	692084	Spring-Valve (Exhaust)			808323 Shaft-Throttle (Used Before Code Date 05070100).
		844921 Tube-Breather (Used After Code Date 10010600).	37	841309	Guard-Flywheel	98	807705	Kit-Idle Speed
12	842589	Gasket-Crankcase	40	692058	Retainer-Valve	104	844906	Pin-Float Hinge (Used After Code Date 10010600).
13	692059	Screw (Cylinder Head)	42	807683	Keeper-Valve			----- Note -----
15	690946	Plug-Oil Drain (Square Head)	45	843379	Tappet-Valve			690739 Pin-Float Hinge (Used Before Code Date 10010700).
16	692159	Crankshaft	46	845649	Camshaft	105	844907	Valve-Float Needle (Used After Code Date 10010600).
20	805049s	Seal-Oil (PTO Side)	50B	690754	Manifold-Intake			----- Note -----
22	807362	Screw (Crankcase Cover/Sump)	51B	692035	Gasket-Intake (Manifold/Heads)			807706 Valve-Float Needle (Used Before Code Date 10010700).
23	841908	Flywheel (Used on Type No(s). 0112, 0114.	51C	691694	Gasket-Intake (Manifold/Carburetor Spacer)			----- Note -----
23A	841825	Flywheel (Used on Type No(s). 0100.	54	690676	Screw (Intake Manifold)			690729 Valve-choke (Used After Code Date 10010600).
		----- Note -----	58	66574	Rope-Starter (Cut To Required Length)			----- Note -----
		841657 Flywheel (Used on Type No(s). 0113, 0115.	59	805957	Insert-Grip			841440 Screen-Rotating (Used on Type No(s). 0100, 0113, 0115.
25	843952	Piston Assembly (Standard) (Used After Code Date 07122300).	60	808167	Grip-Starter Rope			----- Note -----
		----- Note -----	65A	841233	Screw (Rewind Starter)			690729 Valve-choke (Used Before Code Date 10010700).
		843956 Piston Assembly (.020" Oversize)	72	806488	Tube-Jet			----- Note -----
25A	843951	Piston Assembly (Standard) (Used Before Code Date 07122400).	73A	841662	Screen-Rotating	108	844903	Valve-choke (Used After Code Date 10010600).
					----- Note -----			----- Note -----
			74A	841441	Screw (Rotating Screen)			690729 Valve-choke (Used Before Code Date 10010700).
			78	690688	Screw (Flywheel Guard)			

Engine Gasket Set-Reference 358
Carburetor Overhaul Kit-Reference 121

Valve Gasket Set-Reference 1095

REF. NO.	PART NO.	DESCRIPTION	REF. NO.	PART NO.	DESCRIPTION	REF. NO.	PART NO.	DESCRIPTION
109	844913	Shaft-Choke (Used After Code Date 10010600). ----- Note ----- 807711 Shaft-Choke (Used Before Code Date 10010700).	127A	690731	Plug-Welch (6.9mm Diameter)	192	807623	Adjuster-Rocker Arm
117	844910	Jet-Main (Standard) (Used After Code Date 10010600). ----- Note ----- 806487 Jet-Main (Standard) (Used Before Code Date 10010700).	130	690732	Valve-Throttle	197	807163	Screw (Back Plate)
118	845545	Jet-Main (High Altitude) (5000 Feet) (Used After Code Date 10010600). ----- Note ----- 806634 Jet-Main (High Altitude) (5000 feet) (Used Before Code Date 10010700). 845546 Jet-Main (High Altitude) (9000 Feet) (Used After Code Date 10010600).	133	844905	Float-Carburetor (Used After Code Date 10010600). ----- Note ----- 607710 Float-Carburetor (Used Before Code Date 10010700).	203	690923	Crank-Bell
121	842890	Kit-Carburetor Overhaul	137	844208	Gasket-Float Bowl (Used After Code Date 10010600). ----- Note ----- 806481 Gasket-Float Bowl (Used Before Code Date 10010700).	205	692083	Screw (Bell Crank)
122A	844920	Spacer-Carburetor (Used After Code Date 10010600). ----- Note -----	142	806635	Nozzle-Carburetor (Standard) (Used Before Code Date 10010700).	209	692071	Spring-Governor (White) ----- Note ----- 692070 Spring-Governor (Red) Used on Type No(s). 0100.
122B	690753	Spacer-Carburetor (Used Before Code Date 10010700).	146	691639	Key-Timing			692072 Spring-Governor (Purple) Used on Type No(s). 0113.
125	842651	Carburetor (Used Before Code Date 10010700).	161	691561	Base-Air Cleaner (Metal) (Used Before Code Date 10010700).			690710 Spring-Governor (Np Color) Used on Type No(s). 0114.
125A	844915	Carburetor (Used After Code Date 10010600). Used on Type No(s). 0112, 0114	161A	844929	Base-Air Cleaner (Metal) (Used After Code Date 10010600). ----- Note -----	211	692069	Spring-Governed Idle
125B	844902	Carburetor (Used After Code Date 10010600). Used on Type No(s). 0100, 0113	163A	844931	Gasket-Air Cleaner (Used With Metal Air Cleaner Base) (Used After Code Date 10010600). ----- Note -----	212	690712	Link-Throttle
127	690730	Plug-Welch (9mm Diameter)	163	692081	Gasket-Air Cleaner (Used With Metal Air Cleaner Base) (Used Before Code Date 10010700).	215	841183	Guide-Air (Cylinder 1)
			185	690939	Nut (Air Cleaner Base)	215F	841182	Guide-Air (Cylinder 2)
			187	791745	Line-Fuel (Cut to Length)	216	690705	Link-Choke
			187A	791766	Line-Fuel (Cut to Length)	222	808454	Bracket-Control
			187B	791801	Line-Fuel (Formed)	226	692075	Rod-Hand Choke
			188	692056	Screw (Control Bracket) (M8X14MM)	227	690236	Lever-Governor Control
						231	690718	Screw (Choke Valve)
						232	692073	Spring-Governor Link
						234	691723	Clip-Control Rod
						239	690233	Switch-Oil Pressure (Oil GARD Only)
						240A	691035	Filter-Fuel
						254	807715	Drain-Carburetor Bowl
						255	690737	Bushing-Choke Shaft
						265	691024	Clamp-Casing
						267	841552	Screw (Casing Clamp) (M5X20mm)
						268	691025	Casing-Control Wire (Cut To Required Length)
						269	691026	Wire-Control (Cut To Required Length)

Engine Gasket Set-Reference 358
Carburetor Overhaul Kit-Reference 121

Valve Gasket Set-Reference 1095

295700

REF. NO.	PART NO.	DESCRIPTION	REF. NO.	PART NO.	DESCRIPTION	REF. NO.	PART NO.	DESCRIPTION
270	691027	Nut (Control Wire Casing)	415	794903	Plug	565	690682	Stud (Oil Filter Adapter)
271	691028	Lever-Control	436B	691502	Manifold-Exhaust Used on Type No(s). 0113.	572	690686	Baffle-Breather
273	690681	Seal-O Ring (Oil Pump)	437	691902	Screw (Exhaust Manifold)	573	841310	Plate-Back
276	690704	Washer-Sealing (Crankcase Cover/Sump)	439	692154	Seal-O Ring (Crankcase Cover/Sump)	578	844547	Wire Assembly (With Diodes)
276A	807085	Washer-Sealing (Rocker Cover)	445	394018s	Filter-Air Cleaner Cartridge	592	690939	Nut (Rewind Starter)
276B	806476	Washer-Sealing (Float Bowl)	447	807163	Screw (Air Guide Cover)	596	691492	Screw (Oil Pump)
276C	806477	Washer-Sealing (Carburetor Plug)	455	841794	Cup-Flywheel	601A	691038	Clamp-Hose
278	842122	Washer (Governor Control Lever)	467	844618	Knob-Air Cleaner	601B	791850	Clamp-Hose
287A	807084	Screw (Dipstick Tube)	474	696458	Alternator (AC/DC) Used on Type No(s). 0100.	608	841729	Starter-Rewind
300B	498984S	Muffler	474A	696578	Alternator (DC Only) Used on Type No(s). 0113.	613A	690297	Screw (Muffler)
304	842681	Housing-Blower	474B	696457	Alternator (9Amp Regulated) Used on Type No(s). 0115.	614	691550	Cotter-Pin
305	692056	Screw (Blower Housing) (M8 x 14mm)	479	843961	Screw (Screen Oil Pump)	616	806685	Crank-Governor
305B	841233	Screw (Blower Housing) (M6 x 10mm)	501	797375	Regulator	628A	806660	Screw (Fuel Pump Bracket)
309	844717	Motor-Starter	501A	794360	Regulator Used on Type No(s). 0115.	633	690738	Seal-Choke/Throttle Shaft
322	841233	Screw (Cylinder Head Cover)	505	844752	Nut (Governor Control Lever)	635	692076	Boot-Spark Plug
332	690887	Nut (Flywheel)	506	807120	Screw (Carburetor Cover)	637	690735	Washer (Throttle Shaft)
333	844548	Armature-Magneto	507	691972	Insulator	638	691551	Washer (Cylinder Head Cover)
334	692066	Screw (Magneto Armature)	520	691084	Terminal-Ground	643	844932	Retainer-Air Filter (Used After Code Date 10010600).
337	792015	Plug-Spark ----- Note ----- 491055s Plug-Spark Used on Type No(s). 0100.	523	692101	Dipstick	676	795036	Deflector-Muffler
351	692083	Screw (Ground Terminal)	524	692053	Seal-Dipstick Tube	677	794845	Screw (Muffler Deflector)
357	691483	Key-Drive Pulley	525	692093	Tube-Dipstick	691	842826	Seal-Governor Shaft
358	808704	Gasket Set-Engine	526	692067	Screw (Regulator)	697	692062	Screw (Drive Cap) (M8 X 18)
359	691077	Washer (Ground Terminal)	526A	690717	Screw (Regulator)	710	807689	Cover-Oil Filter
363	19203	Puller-Flywheel	527	690423	Clamp-Tube	711A	807084	Screw (Carburetor Shield)
373A	691612	Nut (Ground Terminal)	529	690744	Grommet	717	692542	Bracket-Air Cleaner
377	808095	Key-Woodruff	552	690701	Bushing-Governor Crank	718	806469	Pin-Locating
383	19576s	Wrench-Spark Plug	552A	806686	Bushing-Governor Crank	727	841313	Cover-Starter Drive
385	807084	Screw (Fuel Pump)	562	690239	Bolt (Governor Control Lever)	729	690586	Clip-Wire
387	808656	Pump-Fuel				732	690688	Screw (Starter Drive Cover)
402	690679	Screw (Oil Filter Cover)				732A	841233	Screw (Starter Drive Cover)
						737	690679	Screw (Oil Filter Adapter)

Engine Gasket Set-Reference 358
Carburetor Overhaul Kit-Reference 121

Valve Gasket Set-Reference 1095

REF. NO.	PART NO.	DESCRIPTION	REF. NO.	PART NO.	DESCRIPTION	REF. NO.	PART NO.	DESCRIPTION
741	691530	Gear-Timing	955	807714	Plug-Carburetor	1022	806039s	Gasket-Rocker Cover
742	805578	Retainer-E Ring	955A	844916	Plug-Carburetor (Used After Code Date 10010600).	1023A	691558	Cover-Rocker (Cylinder 1) (With Fuel Pump)
748	692083	Screw (Control Rod Clip)			----- Note -----	1023B	691494	Cover-Rocker
788	691559	Bracket-Fuel Pump			691511 Plug-Carburetor (Used Before Code Date 10010700).	1024	843959	Pump-Oil
789	844914	Harness-Wire (Fuel Solenoid)				1025	690689	Spool-Governor
797	693167	Nut (Brush Retainer)				1026	691836	Rod-Push (Intake)(Steel)
797B	691029	Nut (Brush Retainer)	961	841233	Screw (Air Cleaner Bracket)			----- Note -----
807	690733	Spacer-Throttle	967	272490s	Filter-Pre Cleaner			691758 Rod-Push (Exhaust)(Aluminum)
816	690706	Washer (Oil Filter Adapter)	968	699959	Cover-Air Cleaner (Used With Metal Air Cleaner Base)	1027	842921	Filter-Oil
830	809157	Stud-Rocker Arm	971A	807084	Screw (Air Cleaner Base to Carburetor)	1028	808235	Adapter-Oil Filter
842	691870	Seal-O Ring (Dipstick Tube)				1029	807323	Arm-Rocker
851	493880s	Terminal-Spark Plug	975	844909	Bowl-Float (Used After Code Date 10010600).	1036		Label-Emissions (Available from a Briggs & Stratton Authorized Dealer)
865	843768	Cover-Air Guide (Black)			----- Note -----	1037	807717	Ball-Choke Locator
868	691963	Seal-Valve	975A	807715	Bowl-Float (Used Before Code Date 10010700).	1051	690736	Ring-Retaining
8716	692057	Bushing-Valve Guide				1054	280275	Tie-Cable
877A	393814	Wire/Connector-Alternator (DC Only)	987	691548	Seal-Throttle Shaft	1058	277107	Operator's Manual
879	841861	Cover-Carburetor	988	692063	Gasket-Oil Adapter	1059	698516	Kit-Screw/Washer
883A	691613	Gasket-Exhaust	988A	690687	Gasket-Oil Adapter	1091	691515	Cap-Limiter
884	691956	Clamp-Muffler (1 1/4" Inside Diameter)	996	691577	Shield-Carburetor (Used Before Code Date 10010700).	1095	842723	Gasket Set-Valve
914	807120	Screw (Rocker Cover)	996A	844930	Shield-Carburetor (Used After Code Date 10010600).	1100	791959	Pivot-Rocker Arm
918	791880	Hose-Vacuum	1004	841656	Duct-Air (Used With Metal Air Cleaner Base)	1119	691552	Screw (Alternator)
930	841490	Guard-Rewind	1017	690878	Screen-Oil Pump ----- Note -----	1130	690746	Stud (Intake Manifold)
947	844911	Solenoid-Fuel (Used After Code Date 10010600).			843960 Screen-Oil Pump Used on Type No(s). 0115.	1254	807084	Screw (Rocker Cover Stud) (M6 X 14mm)
		----- Note -----				1319	794467	Label-Warning
		806472 Solenoid-Fuel (Used Before Code Date 10010700).				1330	272144	Repair Manual
						1346	492031	Valve-Oil Drain Shut Off
						1392	690939	Nut (Rewind Guard)
						1416	809640	Cap-Carburetor

Engine Gasket Set-Reference 358
Carburetor Overhaul Kit-Reference 121

Valve Gasket Set-Reference 1095

Not for
Reproduction

