



# Illustrated Parts List

## Model Series

# 303700

TYPE NUMBERS  
0007 through 1206.

### TABLE OF CONTENTS

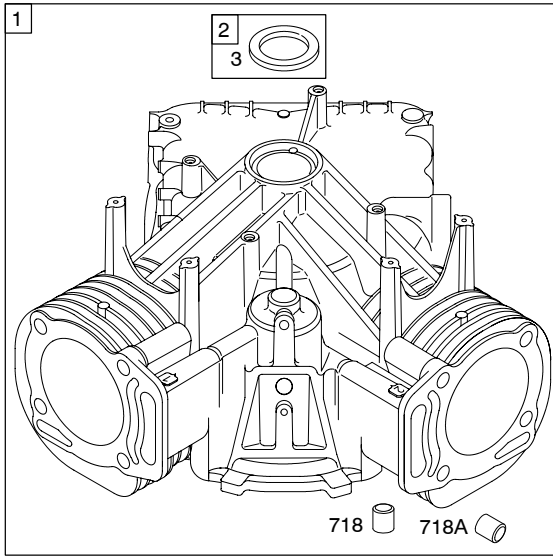
Air Cleaner .....	7
Alternator .....	6
Blower Housing .....	11
Camshaft .....	3
Carburetor .....	5
Controls .....	6
Crankshaft .....	3
Cylinder .....	2
Cylinder Head .....	4
Electric Starter .....	13
Engine Sump .....	2
Exhaust System .....	8
Flywheel .....	10
Fuel Supply .....	5
Gasket Set-Engine .....	2
Gasket Set-Valve .....	4
Ignition .....	6
Intake Manifold .....	3
Kit-Carburetor Overhaul .....	5
Lubrication .....	14
Piston, Rings, Connecting Rod .....	2
Rewind Starter .....	9
Shroud .....	12
Valves .....	4

PRINTED IN U.S.A.

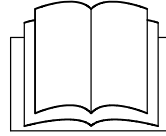


COPYRIGHT by BRIGGS & STRATTON CORPORATION  
All rights reserved. No part of this material may be reproduced or transmitted, in any form or by any means, electronic or mechanical, including photocopying, recording or by any information storage and retrieval system, without permission in writing from Briggs & Stratton Corporation.

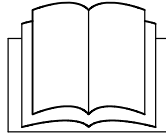
# 303700



## 1058 OPERATOR'S MANUAL



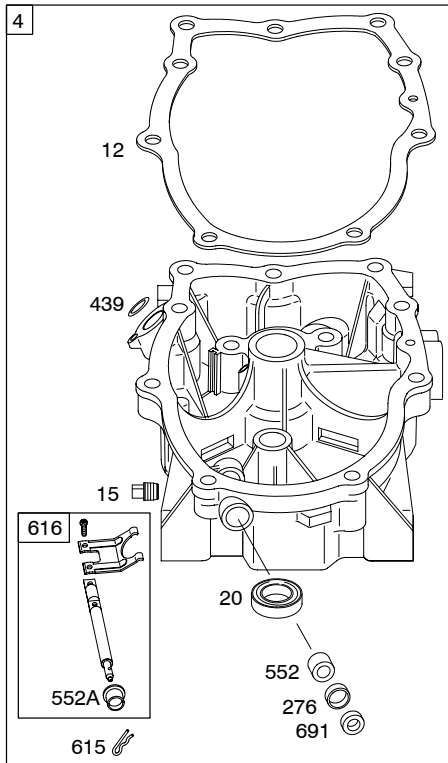
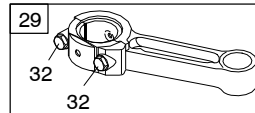
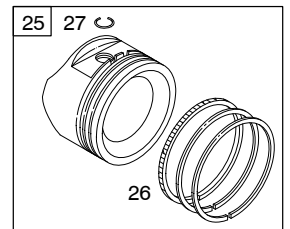
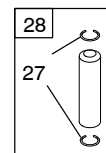
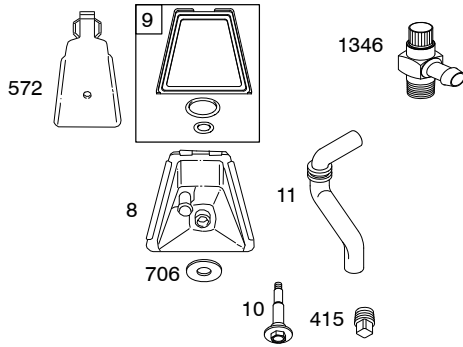
## 1330 REPAIR MANUAL



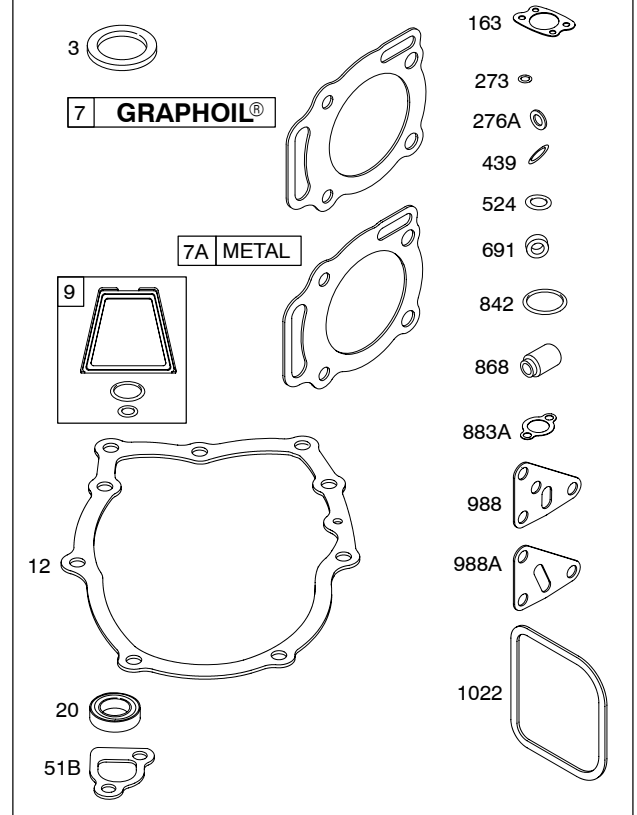
## 1319 WARNING LABEL

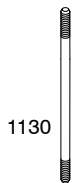
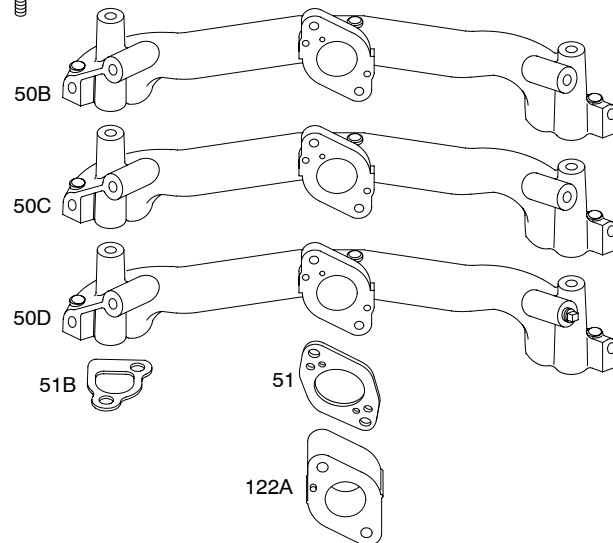
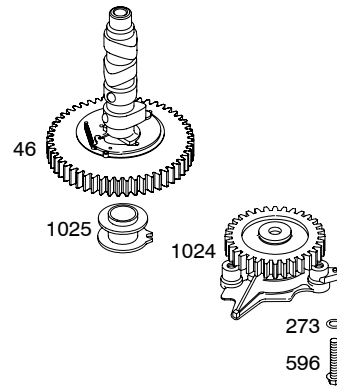
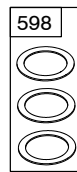
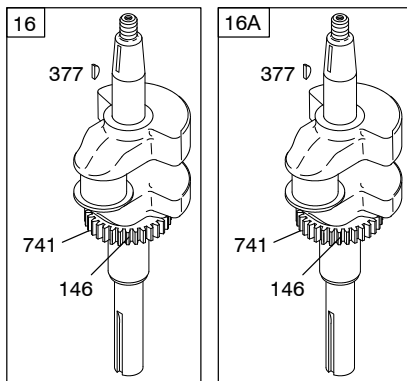
<b>WARNING</b>	
	Read and follow Operating Instructions before running engine.
	Gasoline is flammable. Allow engine to cool at least 2 minutes before refueling.
	Engines emit carbon monoxide, <b>DO NOT</b> run in enclosed area.
	Muffler area temperature may exceed 150°F. Do not touch hot parts.

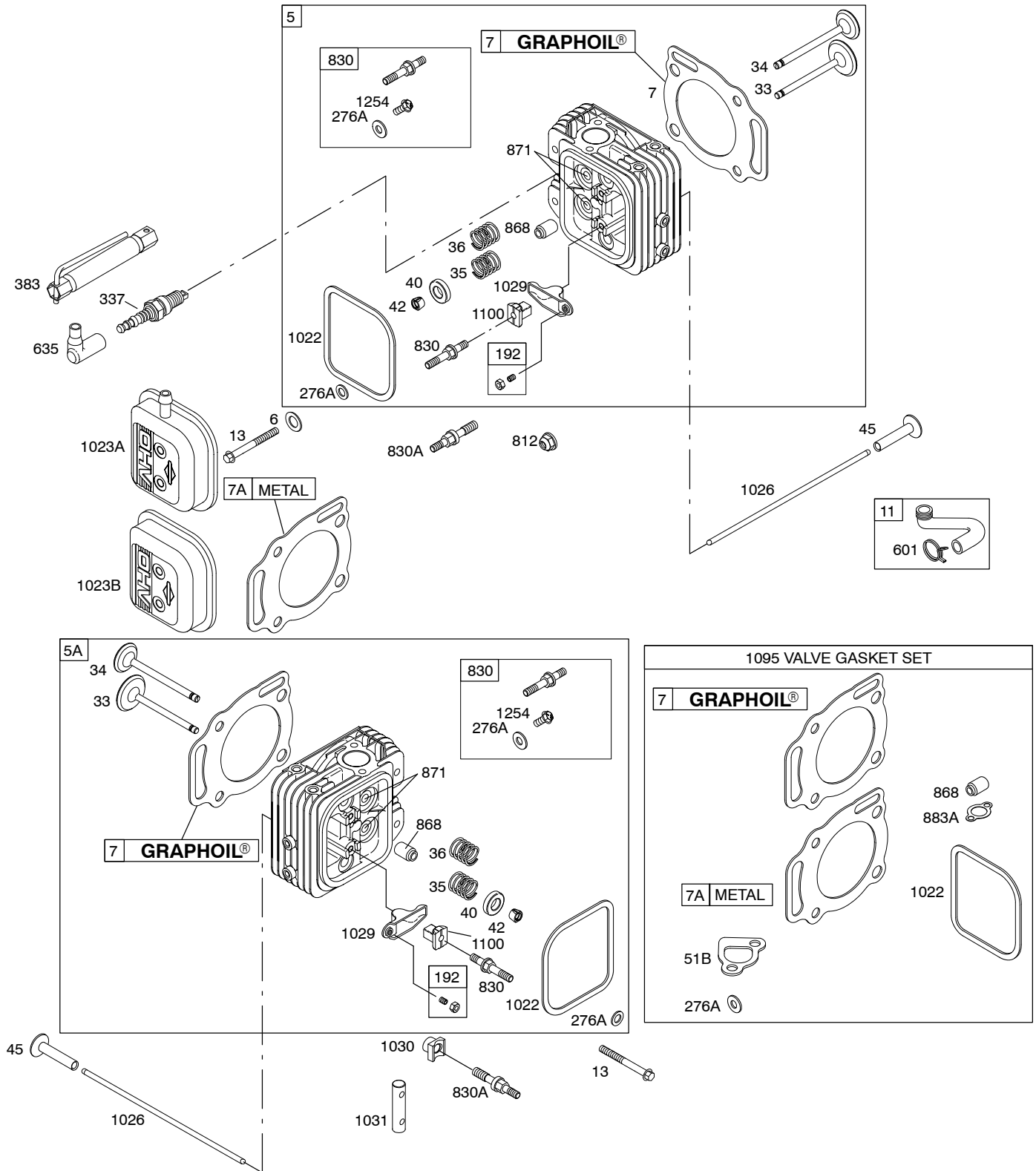
**REQUIRED** when replacing parts with warning labels affixed.

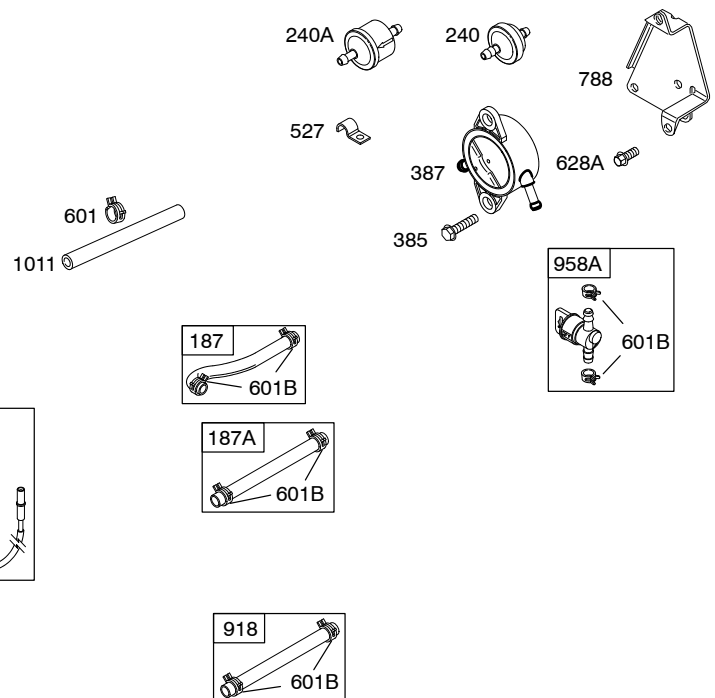
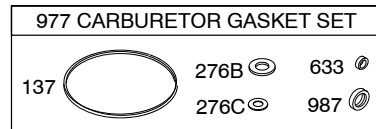
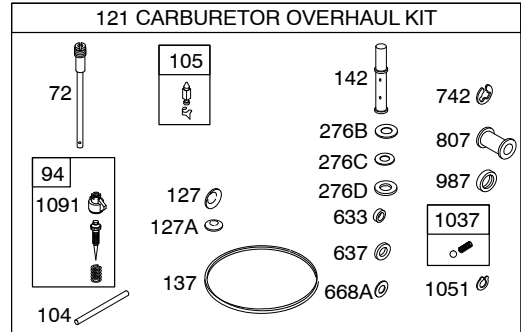
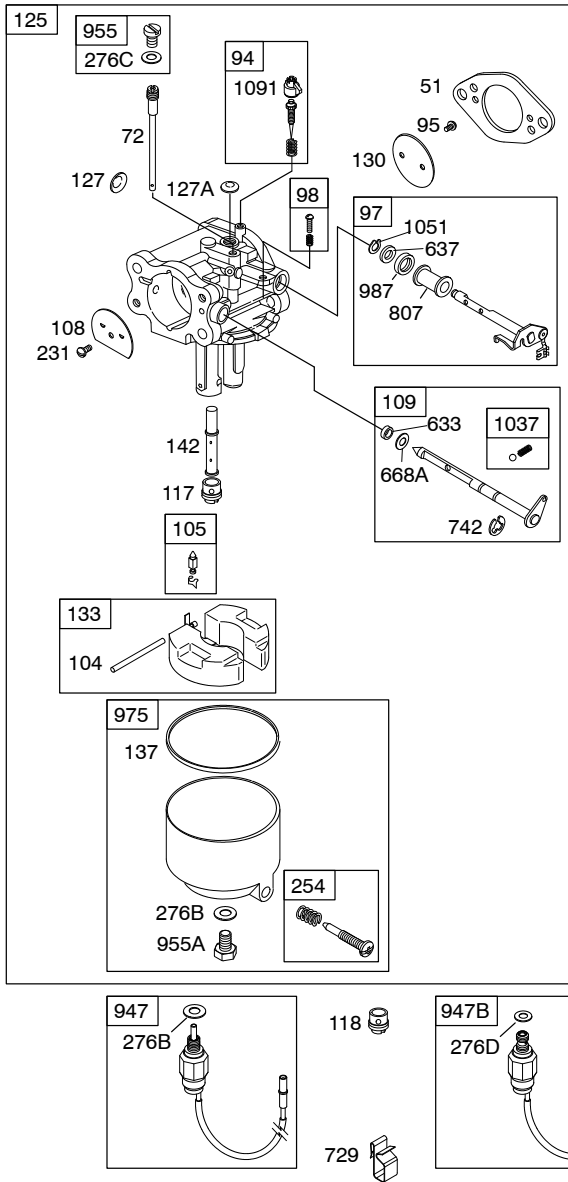


## 358 ENGINE GASKET SET

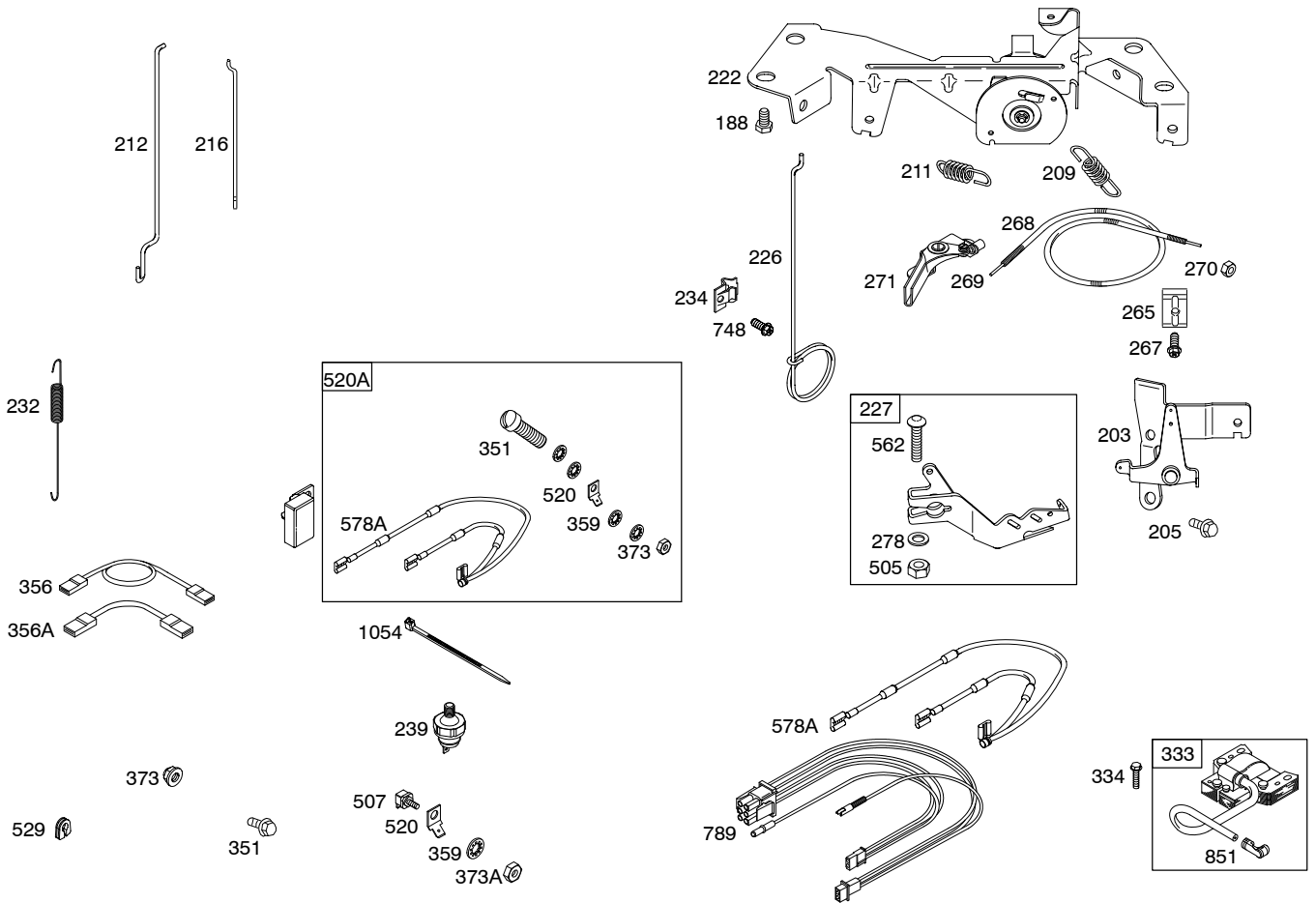




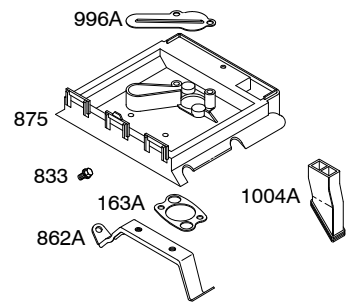
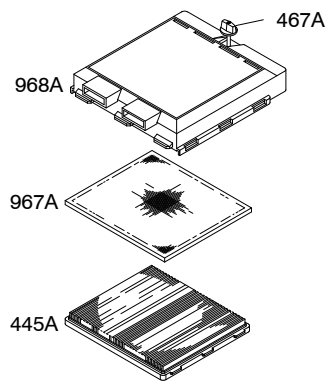
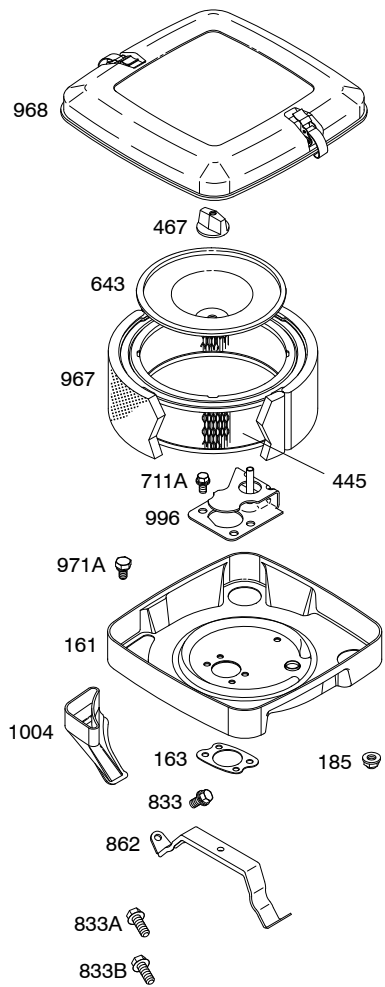




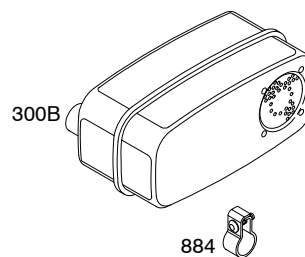
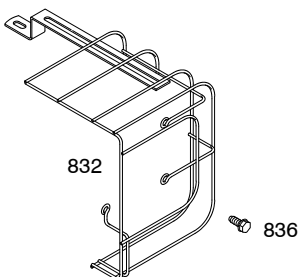
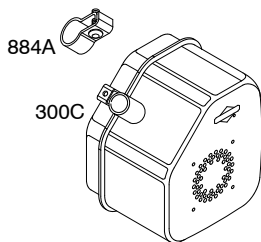
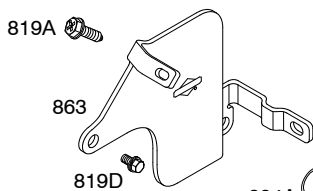
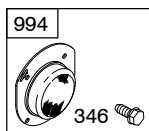
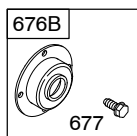
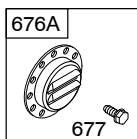
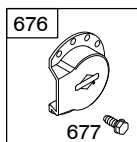
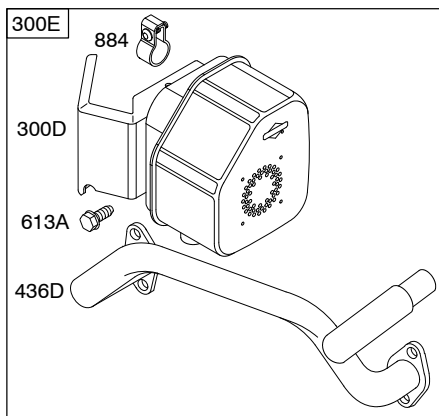
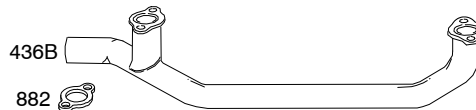
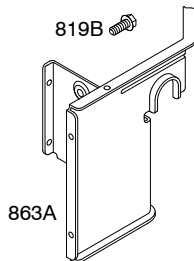
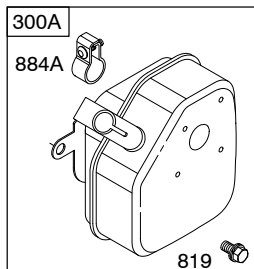
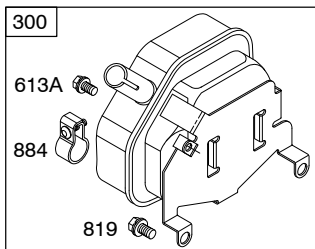
# 303700



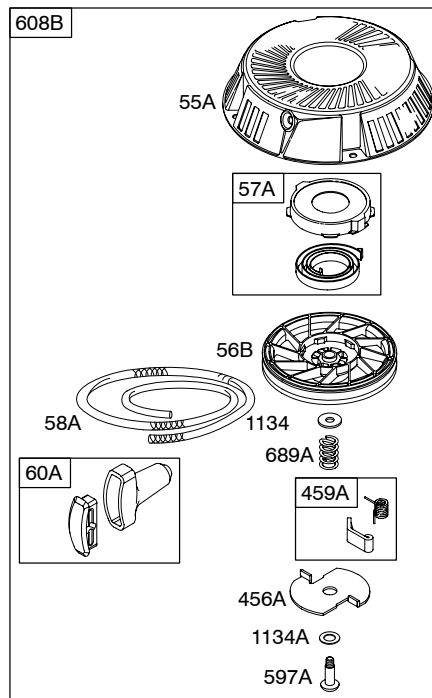
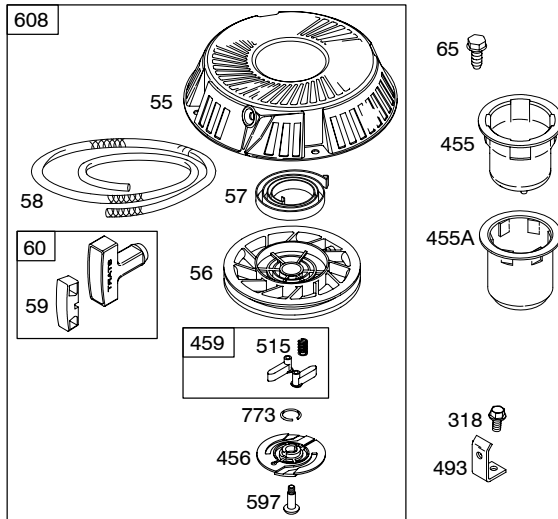
DC ONLY		DUAL CIRCUIT		TRI CIRCUIT		5 - 9 AMP		10 - 16 AMP	
474A	1059	474B	1059	474C	1059	474C	1059	474D	1059
877A		877		877B		877B		877C	
578		878		878A		578		578	
<b>NOTE:</b> All stators use a No. 1119 mounting screw.						526A		526	
						501A		501	



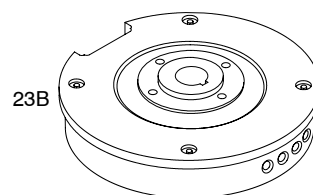
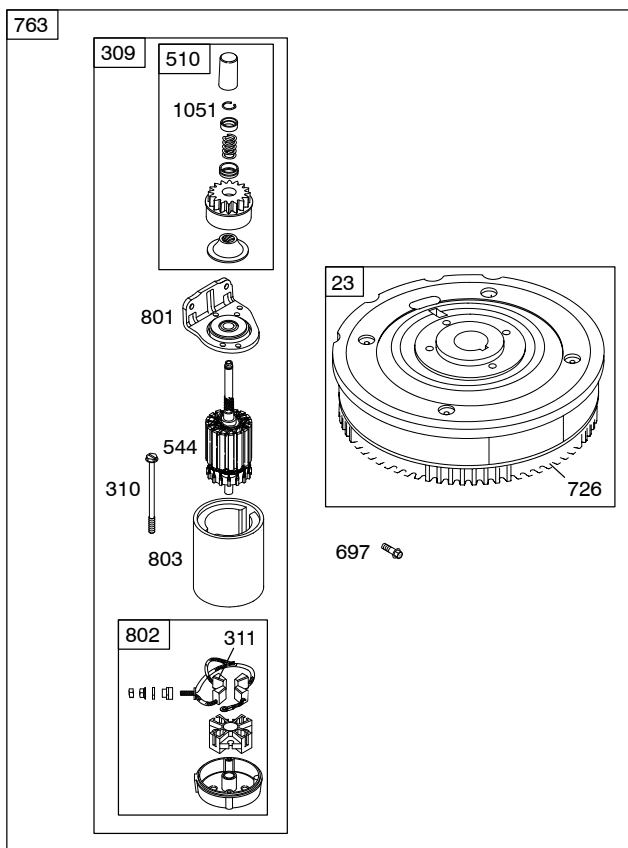
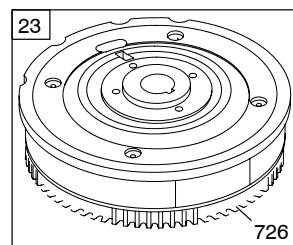
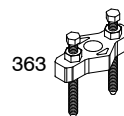
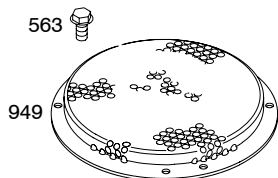
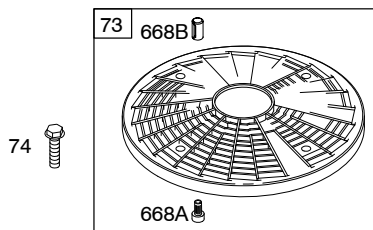
# 303700



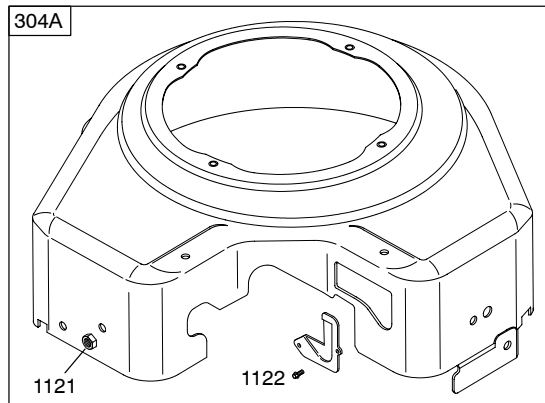




# 303700



1036 EMISSIONS LABEL

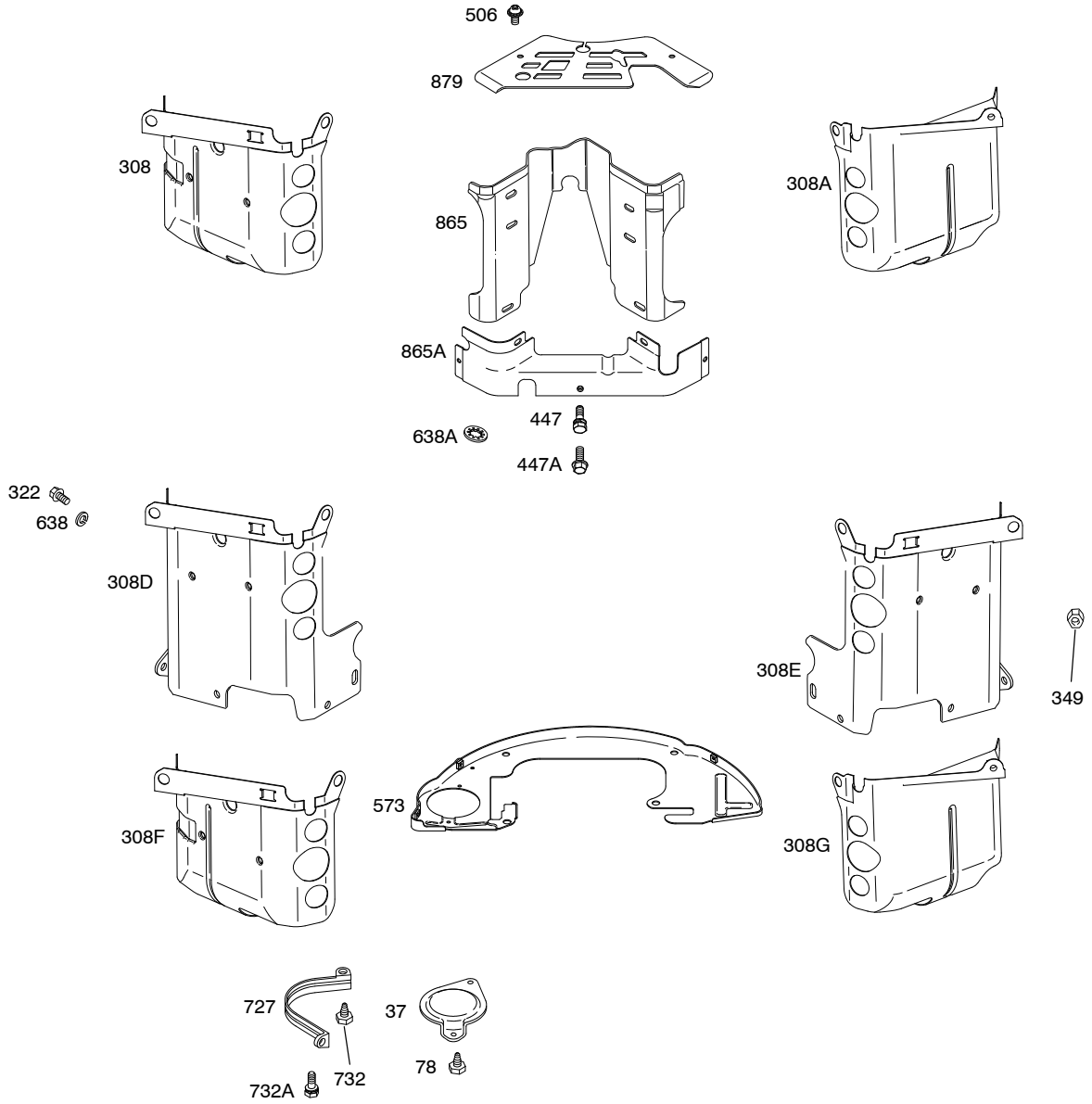


- 729 
- 729B 
- 729A 

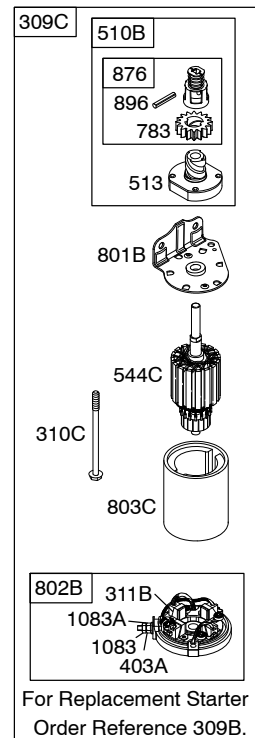
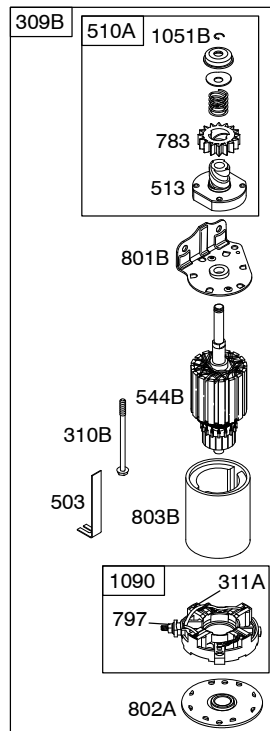
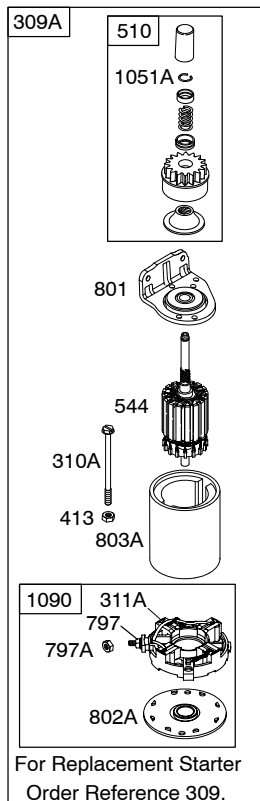
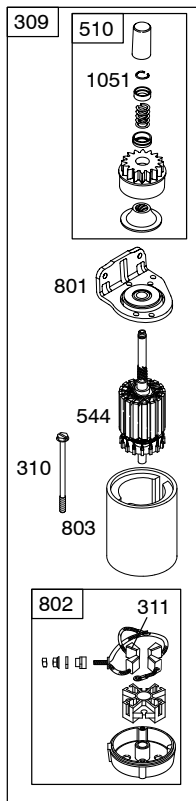


- 305 
- 305A 
- 305B 

# 303700

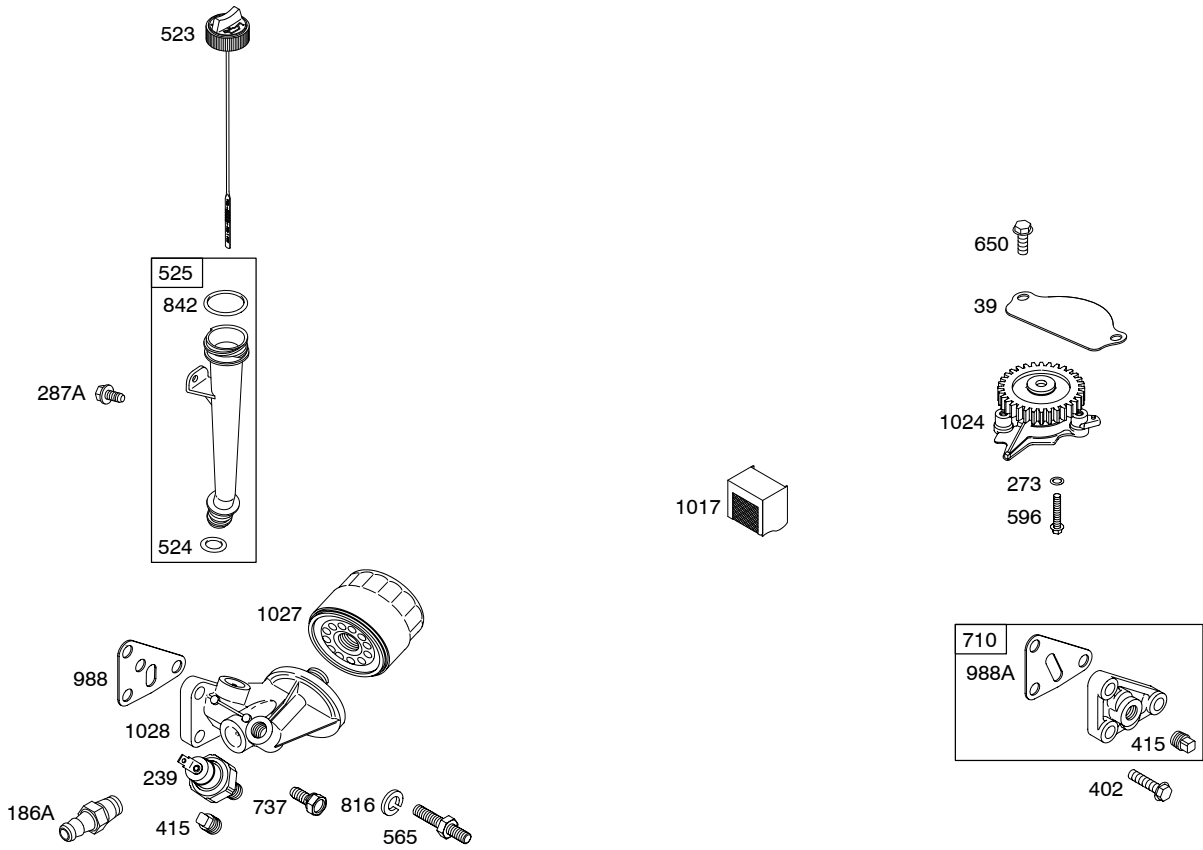


697 



# 303700

---



REF. NO.	PART NO.	DESCRIPTION	REF. NO.	PART NO.	DESCRIPTION	REF. NO.	PART NO.	DESCRIPTION
1	692543	Cylinder Assembly (Used After Code Date 97043000). ----- Note ----- 807511 Cylinder Assembly (Used Before Code Date 97050100).	15	690946	Plug-Oil Drain	27	690683	Lock-Piston Pin
2	808534	Kit-Bushing/Seal (Magneto Side) (Used After Code Date 97043000). ----- Note ----- 807687 Kit-Bushing/Seal (Magneto Side) (Used Before Code Date 97050100).	16	692159	Crankshaft (Used After Code Date 97043000). ----- Note ----- 807586 Crankshaft (Used Before Code Date 97050100).	28	807621	Pin-Piston
3	★805101s	Seal-Oil (Magneto Side)	16A	692160	Crankshaft (Used After Code Date 97043000). Used on Type No(s). 0330, 0425, 1125.	29	807900s	Rod-Connecting (Standard) ----- Note ----- 807803 Rod-Connecting (.020" Undersize)
4	808846	Sump-Engine			807804 Crankshaft (Used Before Code Date 97050100). Used on Type No(s). 0119, 1125.	32	690698	Screw (Connecting Rod)
5	809200	Head-Cylinder (Cylinder 1)			807587 Crankshaft (Used Before Code Date 97050100). Used on Type No(s). 0119.	33	807681	Valve-Exhaust
5A	809201	Head-Cylinder (Cylinder 2)	20	★805049s	Seal-Oil (PTO Side)	34	807680	Valve-Intake
6	805193	Washer (Cylinder Head) (Used Before Code Date 94050100).	22	807362	Screw (Crankcase Cover/Sump)	35	692084	Spring-Valve (Intake)
7Δ★806085s		Gasket-Cylinder Head (Graphoil) (Used After Code Date 96033100).	23	808766	Flywheel (Steel Ring Gear) ----- Note ----- 808774 Flywheel (Steel Ring Gear) Used on Type No(s). 1128, 1130, 1145, 1147, 1149, 1169, 1171, 1172, 1173, 1175.	36	692084	Spring-Valve (Exhaust)
7A Δ★807986		Gasket-Cylinder Head (Metal) (Used Before Code Date 96040100).	23B	690889	Flywheel (Rewind Starter)	37	841309	Guard-Flywheel
8	808988	Breather Assembly	25	807619	Piston Assembly (Standard) ----- Note ----- 807809 Piston Assembly (.020" Oversize)	39	690745	Deflector-Oil
9	★809094	Gasket-Breather	26	807620	Ring Set (Standard) ----- Note ----- 807810 Ring Set (.020" Oversize)	40	692058	Retainer-Valve
10	690751	Screw (Breather Assembly) (Used After Code Date 90111400). ----- Note ----- 805194 Screw (Breather Assembly) (Used Before Code Date 90111500).				42	807683	Keeper-Valve
11	806083s	Tube-Breather				45	690977	Tappet-Valve
12	★842589	Gasket-Crankcase				46	691557	Camshaft
13	692059	Screw (Cylinder Head) (86mm Long)				50B	690754	Manifold-Intake
						50C	692156	Manifold-Intake Used on Type No(s). 1165.
						50D	692124	Manifold-Intake Used on Type No(s). 1156.
						51	691694	Gasket-Intake (Manifold/Carburetor Spacer)
						51B	★Δ692035	Gasket-Intake (Manifold/Heads)
						54	690676	Screw (Intake Manifold)
						55	691568	Housing-Rewind Starter
						55A	492193	Housing-Rewind Starter
						56	692085	Pulley-Starter
						56B	280918	Pulley-Starter
						57	692086	Spring-Rewind Starter
						57A	492194	Spring-Rewind Starter
						58	66574	Rope-Starter (Cut To Required Length)
						58A	695002	Rope-Starter (Cut To Required Length)

★ Engine Gasket Set-Reference 358  
● Carburetor Overhaul Kit-Reference 121

◆ Carburetor Gasket Set-Reference 977  
Δ Valve Gasket Set-Reference 1095

# 303700

REF. NO.	PART NO.	DESCRIPTION	REF. NO.	PART NO.	DESCRIPTION	REF. NO.	PART NO.	DESCRIPTION
59	805957	Insert-Grip	97	808323	Shaft-Throttle	122A	690753	Spacer-Carburetor (Used After Code Date 92061600).
60	808167	Grip-Starter Rope	98	807705	Kit-Idle Speed			----- Note -----
60A	490652	Grip-Starter Rope	104	●690739	Pin-Float Hinge			690692 Spacer-Carburetor (Used Before Code Date 92061700).
65	691982	Screw (Rewind Starter)	105	●807706	Valve-Float Needle			
72	●806488	Tube-Jet (Used After Code Date 98062600).	108	690729	Valve-Choke			
		----- Note -----	109	807711	Shaft-Choke			
		690755 Tube-Jet (Used After Code Date 92040600 and Before Code Date 98062700).	117	●806487	Jet-Main (Standard) (Used After Code Date 98062600).	125	808728	Carburetor (Used After Code Date 92040600).
		806480 Tube-Jet (Used Before Code Date 92040700).	118	806634	Jet-Main (High Altitude) (Used After Code Date 98062600).			----- Note -----
72A	694069	Tube-Jet (High Altitude) (Used After Code Date 98062600).	121	842891	Kit-Carburetor Overhaul (Used After Code Date 98062600).	127	●690731	Plug-Welch (6.9mm Diameter)
					----- Note -----	127A	●690730	Plug-Welch (9mm Diameter)
					807962 Kit-Carburetor Overhaul (Used After Code Date 94102700 and Before Code Date 98062700).			
73	494439	Screen-Rotating			842890 Kit-Carburetor Overhaul (Used After Code Date 92040600 and Before Code Date 94102800).			
74	691647	Screw (Rotating Screen)			807708 Kit-Carburetor Overhaul (Used Before Code Date 92040700).			
75	691490	Washer (Flywheel)						
78	690688	Screw (Flywheel Guard)						
94	●808258	Kit-Idle Mixture (Used After Code Date 95092700).						
		----- Note -----						
		807707 Kit-Idle Mixture (Used Before Code Date 95092800).						
95	690728	Screw (Throttle Valve)						

★ Engine Gasket Set-Reference 358  
● Carburetor Overhaul Kit-Reference 121

◆ Carburetor Gasket Set-Reference 977  
△ Valve Gasket Set-Reference 1095



REF. NO.	PART NO.	DESCRIPTION	REF. NO.	PART NO.	DESCRIPTION	REF. NO.	PART NO.	DESCRIPTION
130	690732	Valve-Throttle	209	692070	Spring-Governor (Red)	211	692069	Spring-Governed Idle
133	807710	Float-Carburetor			----- Note -----	212	690712	Link-Throttle
137	◆●806481	Gasket-Float Bowl			692071 Spring-Governor (White)	216	690705	Link-Choke
142	●806635	Nozzle-Carburetor (Standard) (Used After Code Date 98062600).			Used on Type No(s). 0032, 0124, 0133, 0330, 0332, 0412, 0425, 0430, 0431, 0436, 1032, 1035, 1112, 1121, 1125, 1130, 1134, 1136, 1138, 1142, 1144, 1147, 1153, 1161, 1174, 1189, 1191, 1192, 1193, 1194, 1195, 1196, 1199, 1202.	222	808454	Bracket-Control
		----- Note ----- 807960 Nozzle-Carburetor (Standard) (Used After Code Date 94102700 and Before Code Date 98062700).			691508 Spring-Governor (Blue)	226	692075	Rod-Hand Choke
		807712 Nozzle-Carburetor (Standard) (Used Before Code Date 94102800).			Used on Type No(s). 0007, 0121, 0127, 0131, 0135, 0137, 0440, 1116, 1132, 1140, 1150, 1168, 1170, 1188.	227	690236	Lever-Governor Control
146	691639	Key-Timing			690710 Spring-Governor (Silver)	231	690728	Screw (Choke Valve)
161	691561	Base-Air Cleaner (Metal)			Used on Type No(s). 0122, 0331, 0411, 0418, 0424, 0434, 0439, 1111, 1114, 1118, 1124, 1139, 1145, 1151, 1162, 1163, 1164, 1165.	232	692073	Spring-Governor Link
163	★692081	Gasket-Air Cleaner (Used With Metal Air Cleaner Base)			692072 Spring-Governor (Purple)	234	691723	Clip-Control Rod
163A	★692052	Gasket-Air Cleaner (Used With Plastic Air Cleaner Base)			Used on Type No(s). 0416, 0420, 0426, 0431, 0438, 1116, 1120, 1126, 1131, 1138, 1148, 1166, 1169, 1171, 1172, 1173.	239	690233	Switch-Oil Pressure (Oil GARD Only)
185	690939	Nut (Air Cleaner Base)				240	394358s	Filter-Fuel (White, 75 Microns)
186A	691764	Connector-Hose				240A	691035	Filter-Fuel (Includes Paper Element With A 40 Micron Rating)
187	791745	Line-Fuel				254	807713	Drain-Carburetor Bowl
187A	791766	Line-Fuel (Cut To Required Length)				265	691024	Clamp-Casing
188	692056	Screw (Control Bracket)				267	692083	Screw (Casing Clamp)
192	807623	Adjuster-Rocker Arm				268	691025	Casing-Control Wire (Cut To Required Length)
203	690923	Crank-Bell				269	691026	Wire-Control (Cut To Required Length)
205	692083	Screw (Bell Crank)				270	691027	Nut (Control Wire Casing)
						271	691028	Lever-Control
						273	★690681	Seal-O Ring (Oil Pump)
						276	690704	Washer-Sealing (Crankcase Cover/Sump)
						276A	★△807085	Washer-Sealing (Rocker Cover) (Used After Code Date 01120200).
								----- Note ----- 691766 Washer-Sealing (Rocker Cover) (Used Before Code Date 01120300).

★ Engine Gasket Set-Reference 358  
● Carburetor Overhaul Kit-Reference 121

◆ Carburetor Gasket Set-Reference 977  
△ Valve Gasket Set-Reference 1095

# 303700

REF. NO.	PART NO.	DESCRIPTION	REF. NO.	PART NO.	DESCRIPTION	REF. NO.	PART NO.	DESCRIPTION
276B	◆●806476	Washer-Sealing (Float Bowl)	308F	841182	Cover-Cylinder Head (Cylinder 2) (Used After Code Date 03103100).	337	491055s	Plug-Spark ----- Note ----- 792015 Plug-Spark Used on Type No(s). 1020, 1033, 1035, 1055, 1116, 1120, 1128, 1130, 1134, 1138, 1139, 1148, 1149, 1164, 1167, 1168, 1169, 1170, 1171, 1172, 1173, 1174, 1175, 1192, 1193, 1194, 1195, 1196, 1199, 1202, 1206.
276C	◆●806477	Washer-Sealing (Carburetor Plug)	308G	806546	Cover-Cylinder Head (Cylinder 2) (Used Before Code Date 03110100).	346	690661	Screw (Spark Arrestor)
276D	●692343	Washer-Sealing (Float Bowl)	309	691564	Motor-Starter (Steel Ring Gear Only)	349	690238	Nut (Cylinder Head Cover)
278	842122	Washer (Governor Control Lever)	309A		Motor-Starter (Services Steel Ring Gear Only)(For Replacement Starter Motor, See Reference 309)	351	692083	Screw (Ground Terminal)
287A	807084	Screw (Dipstick Tube)	309B	499521	Motor-Starter	356	807593	Wire-Stop (Cylinder 2) ----- Note ----- 807063 Wire-Stop (Cylinder 2) Used on Type No(s). 1114.
300		Muffler (For Replacement Muffler, Use 692099)	309C		Motor-Starter (For Replacement Starter Motor, See Reference 309B)	356A	807594	Wire-Stop (Cylinder 1)
300A	807742	Muffler	310	496880	Screw (Starter Motor)	357	691483	Key-Drive Pulley
300B	498984s	Muffler	310A	690323	Screw (Starter Motor)	358	842722	Gasket Set-Engine (Used After Code Date 01120200). ----- Note ----- 808390 Gasket Set-Engine (Used Before Code Date 01120300).
300D	692099	Muffler	310B	691263	Screw (Starter Motor)	359	691077	Washer (Ground Terminal)
300E	807969	Muffler	310C	692329	Screw (Starter Motor) (5-3/8" Long)	363	19203	Puller-Flywheel
304A	808055	Housing-Blower (Red) ----- Note ----- 808408 Housing-Blower (Black)	311	496887	Brush Set	365A	690695	Screw (Carburetor)
305	692056	Screw (Blower Housing)	311A	497608	Brush Set	373	691612	Nut (Ground Terminal)
305A	692062	Screw (Blower Housing)	311B	490311	Brush Set (4 9/16" Housing Length)			
305B	841233	Screw (Blower Housing)	318	841233	Screw (Mounting Bracket)			
308	841232	Cover-Cylinder Head (Cylinder 1) (Used After Code Date 90111600). ----- Note ----- 807656 Cover-Cylinder Head (Cylinder 1) (Used Before Code Date 90111700).	322	692067	Screw (Cylinder Head Cover)			
308A	807869	Cover-Cylinder Head (Cylinder 2) (Used After Code Date 90111600). ----- Note ----- 807657 Cover-Cylinder Head (Cylinder 2) (Used Before Code Date 90111700).	332	690887	Nut (Flywheel)			
308D	841317	Cover-Cylinder Head (Cylinder 1)	333	492341	Armature-Magneto			
308E	841316	Cover-Cylinder Head (Cylinder 2)	334	692066	Screw (Magneto Armature)			

★ Engine Gasket Set-Reference 358  
● Carburetor Overhaul Kit-Reference 121

◆ Carburetor Gasket Set-Reference 977  
Δ Valve Gasket Set-Reference 1095

REF. NO.	PART NO.	DESCRIPTION	REF. NO.	PART NO.	DESCRIPTION	REF. NO.	PART NO.	DESCRIPTION
373A	690713	Nut (Ground Terminal)	455	691517	Cup-Flywheel	526A	690717	Screw (Regulator)(5 To 9 Amp Regulated)
377	808095	Key-Woodruff	455A	805153	Cup-Flywheel			(Used After Code Date 90021100).
383	19374s	Wrench-Spark Plug ----- Note ----- 19576s Wrench-Spark Plug Used on Type No(s). 1128, 1149, 1169, 1171, 1172, 1173, 1175, 1192, 1194, 1196.	456	691529	Plate-Pawl Friction			----- Note ----- 810084 Screw (Regulator) (Used Before Code Date 90021000).
			456A	224228	Plate-Pawl Friction	527	690423	Clamp-Tube
			459	808166	Pawl-Ratchet	529	690744	Grommet
			459A	492431	Pawl-Ratchet	544		Armature-Starter (Service With 691564 Starter Motor Only)
			467	691985	Knob-Air Cleaner			Armature-Starter (Serviced By 499521 Starter Motor Only)
			467A	690895	Knob-Air Cleaner	544B		Armature-Starter (Serviced By 499521 Starter Motor Only)
			474A	696578	Alternator (DC Only)	544C	490309	Armature-Starter
						552	690701	Bushing-Governor Crank
385	807084	Screw (Fuel Pump)	474B	696459	Alternator (Dual Circuit) Used on Type No(s). 1145, 1147.	552A	806686	Bushing-Governor Crank
387	808656	Pump-Fuel				562	690239	Bolt (Governor Control Lever)
402	690679	Screw (Oil Filter Cover)	474C	696457	Alternator (Tri Circuit)	563	691982	Screw (Debris Screen Guard)
403A	690288	Washer (End Cap)	474D	696458	Alternator (Regulated)	565	690682	Stud (Oil Filter Adapter)
413	693587	Nut (Starter Motor)	493	691503	Bracket-Mounting (Rewind Starter)	572	690686	Baffle-Breather
415	690283	Plug (Square Head)	501	691185	Regulator (3 Wire)(16 Amp) ----- Note ----- 493219 Regulator (Double Connector Output)	573	841310	Plate-Back
436	692061	Manifold-Exhaust (Cylinder 2)(Side Outlet)(Used With Customer Supplied Muffler)	501A	691188	Regulator (2 Wire)(9 Amp)	578	692306	Wire Assembly
436B	691502	Manifold-Exhaust (Cylinder 1)(Side Outlet)(Used With Customer Supplied Muffler)	503	691532	Strap-Starter	578A	692319	Wire Assembly (With Diodes)
			505	690238	Nut (Governor Control Lever)	596	691492	Screw (Oil Pump)
436D	805778	Manifold-Exhaust (Wide Area Walker)	506	690677	Screw (Carburetor Cover)	597	690876	Screw (Pawl Friction Plate)
437	691902	Screw (Exhaust Manifold)	507	691972	Insulator	597A	94463	Screw (Pawl Friction Plate)
439	★692154	Seal-O Ring (Crankcase Cover/Sump)	510	496881	Drive-Starter	598	807625	Shim-End Play (Crankshaft or Camshaft Bearing)
445	394018s	Filter-Air Cleaner Cartridge (Round)	510A	696541	Drive-Starter	601	691638	Clamp-Hose (Silver)
445A	805113	Filter-Air Cleaner Cartridge (Rectangular)	510B	696540	Drive-Starter			
447	841233	Screw (Air Guide Cover)	513	692024	Clutch-Drive			
447A	807163	Screw (Air Guide Cover)	515	691528	Spring-Pawl			
			520	691084	Terminal-Ground (Brass)			
			520A	809077	Terminal-Ground (Ignition Shutoff)			
			523	692101	Dipstick			
			524	★692053	Seal-Dipstick Tube			
			525	692093	Tube-Dipstick			
			526	692067	Screw (Regulator) (Used Before Code Date 90021000).			

★ Engine Gasket Set-Reference 358  
● Carburetor Overhaul Kit-Reference 121

◆ Carburetor Gasket Set-Reference 977  
△ Valve Gasket Set-Reference 1095

# 303700

REF. NO.	PART NO.	DESCRIPTION	REF. NO.	PART NO.	DESCRIPTION	REF. NO.	PART NO.	DESCRIPTION
601B	691038	Clamp-Hose (Black) ----- Note ----- 791850 Clamp-Hose (Silver)	676	393761	Deflector-Muffler (Side Out)	763	808190	Kit-Starter (For 12 Volt Gear Drive) Used on Type No(s). 0100, 0101, 0127, 0139, 0428, 0430, 0434, 1121.
608	692102	Starter-Rewind (Used After Code Date 93072500).	676A	397630	Deflector-Muffler (Dual Louvered)	773	690875	Retainer (Pawl Friction Plate)
608B	808152	Starter-Rewind (Used Before Code Date 93072600).	676B	396903	Deflector-Muffler (Direct Out)	783	695708	Gear-Pinion (Services Aluminum Ring Gear Only)
613	690297	Screw (Muffler)	677	690661	Screw (Muffler Deflector)	788	691559	Bracket-Fuel Pump
613A	691902	Screw (Muffler)	689A	262564	Spring-Friction	789	698332	Harness-Wiring Used on Type No(s). 1114, 1166, 1170.
615	691550	Retainer-Governor Shaft	691	★690680	Seal-Governor Shaft	797	693167	Nut (Brush Retainer)
616	806685	Crank-Governor	697	692062	Screw (Drive Cap)	797A	691029	Nut (Brush Retainer)
616A	690899	Crank-Governor (Used Before Code Date 99072100).	706	805484	Washer (Breather Assembly) (Used Before Code Date 90111500).	801	808778	Cap-Drive
628A	692062	Screw (Fuel Pump Bracket) ----- Note ----- 806660 Screw (Fuel Pump Bracket) Used on Type No(s). 1114, 1169, 1170, 1172, 1173, 1206.	710	807689	Cover-Oil Filter	801B	691283	Cap-Drive
633	◆●690738	Seal-Choke/Throttle Shaft	711A	807084	Screw (Carburetor Shield)	802	496813	Cap-End
635	692076	Boot-Spark Plug	718	806469	Pin-Locating	802A	691286	Cap-End
637	●690735	Washer (Throttle Shaft)	718A	805102	Pin-Locating (Used Before Code Date 90091100). Gear-Ring (Steel)(See Reference 23 for Service)	802B		Cap-End (Serviced By 499521 Starter Motor Only)
638	690706	Washer (Cylinder Head Cover)	726			803	690854	Housing-Starter
638A	691551	Washer (Cylinder Head Cover) (Used Before Code Date 03110100).	727	841313	Cover-Starter Drive (Black)	803A	693547	Housing-Starter
643	692079	Retainer-Air Filter	729	805827	Clip-Wire (Black)(Spring Steel)	803B		Housing-Starter (Serviced By 499521 Starter Motor Only)
650	691982	Screw (Oil Deflector)	729A	805965	Clip-Wire (Black) (Vinyl Covered Zinc)	803C	494205	Housing-Starter (4 3/8" Housing Length) ----- Note ----- 398892 Housing-Starter (4 9/16" Housing Length)
668A	691500	Spacer (Knurled Insert)	729B	690586	Clip-Wire (Snap In)(Nylon)	807	●690733	Spacer-Throttle
668B	●690737	Spacer (Rotating Screen)	732	690688	Screw (Starter Drive Cover)	812	Δ692055	Nut (Rocker Cover) (Used Before Code Date 01120300).
			732A	841233	Screw (Starter Drive Cover)	816	690706	Washer (Oil Filter Adapter)
			737	690679	Screw (Oil Filter Adapter)			
			739	690451	Clip-Debris			
			741	691530	Gear-Timing			
			742	●805578	Retainer-E Ring			
			748	692083	Screw (Control Rod Clip)			

★ Engine Gasket Set-Reference 358  
● Carburetor Overhaul Kit-Reference 121

◆ Carburetor Gasket Set-Reference 977  
Δ Valve Gasket Set-Reference 1095

REF. NO.	PART NO.	DESCRIPTION	REF. NO.	PART NO.	DESCRIPTION	REF. NO.	PART NO.	DESCRIPTION
819	692056	Screw (Muffler Bracket)	875	690894	Base-Air Cleaner (Plastic)	968A	690694	Cover-Air Cleaner (Used With Plastic Air Cleaner Base)
819A	692067	Screw (Muffler Bracket)	876	696539	Kit-Pinion Spring	971A	690699	Screw (Air Cleaner Base to Carburetor)
819B	692198	Screw (Muffler Bracket)	877	393537	Wire/Connector- Alternator (Tri Circuit)	975	807715	Bowl-Float
819D	692062	Screw (Muffler Bracket)	877A	393814	Wire/Connector- Alternator (DC Only)	977	808325	Gasket Set-Carburetor (Used After Code Date 92040600).
830	809157	Stud-Rocker Arm (Used After Code Date 96033100).	877B	399916	Wire/Connector- Alternator	----- Note -----		
830A	691497	Stud-Rocker Arm (Used Before Code Date 96040100).	877C	393456	Wire/Connector- Alternator (Dual Circuit)	987	◆●691548	Seal-Throttle Shaft (Used After Code Date 92040600).
832	692361	Guard-Muffler	878	691955	Harness-Alternator	----- Note -----		
833	690872	Screw (Air Cleaner Mounting Strap/Stud) (Used After Code Date 97103100).	878A	398661	Harness-Alternator	987	◆●691548	Seal-Throttle Shaft (Used After Code Date 92040600).
833A	841233	Screw (Air Cleaner Mounting Strap/Stud)	879	842829	Cover-Carburetor	987	◆●691548	Seal-Throttle Shaft (Used After Code Date 92040600).
833B	690699	Screw (Air Cleaner Mounting Strap/Stud)	882	692074	Flange-Exhaust	987	◆●691548	Seal-Throttle Shaft (Used After Code Date 92040600).
836	691982	Screw (Muffler Guard)	883A	★△691613	Gasket-Exhaust	987	◆●691548	Seal-Throttle Shaft (Used After Code Date 92040600).
842	★691870	Seal-O Ring (Dipstick Tube)	884	690898	Clamp-Muffler (1 9/64" Inside Diameter)	987	◆●691548	Seal-Throttle Shaft (Used After Code Date 92040600).
851	493880s	Terminal-Spark Plug	884A	691956	Clamp-Muffler (1 1/4" Inside Diameter)	988	★692063	Gasket-Oil Adapter
862	692542	Strap/Stud-Air Cleaner Mounting	896	691641	Pin-Drive Retainer	988A	★690687	Gasket-Oil Adapter
862A	690896	Strap/Stud-Air Cleaner Mounting	918	393815	Hose-Vacuum (Cut To Required Length)	994	392390	Arrestor-Spark
863	691513	Bracket-Muffler	947	806472	Solenoid-Fuel (Used After Code Date 98062600).	996	691577	Shield-Carburetor
863A	224359	Bracket-Muffler	947B	807744	Solenoid-Fuel (Used Before Code Date 98062700).	996A	690696	Shield-Carburetor
865	841312	Cover-Air Guide (Black)	949	690475	Guard-Debris Screen	1004	690743	Duct-Air (Used With Metal Air Cleaner Base)
865A	841319	Cover-Air Guide (Aluminum)	955	807714	Plug-Carburetor	1004A	692538	Duct-Air (Used With Plastic Air Cleaner Base)
868	★△691963	Seal-Valve	955A	691511	Plug-Carburetor	1011	692929	Tube-Vent (Cut To Required Length)
871	692057	Bushing-Valve Guide	958A	698183	Valve-Fuel Shut Off (Plastic)	1017	690878	Screen-Oil Pump
			967	272490s	Filter-Pre Cleaner (Round)	1022	★△806039s	Gasket-Rocker Cover
			967A	805267s	Filter-Pre Cleaner (Rectangular)	1023A	691558	Cover-Rocker (Cylinder 1) (With Fuel Pump)
			968	699959	Cover-Air Cleaner (Used With Metal Air Cleaner Base)	1023B	691494	Cover-Rocker
						1024	693186	Pump-Oil
						1025	690689	Spool-Governor

★ Engine Gasket Set-Reference 358  
● Carburetor Overhaul Kit-Reference 121

◆ Carburetor Gasket Set-Reference 977  
△ Valve Gasket Set-Reference 1095

# 303700

REF. NO.	PART NO.	DESCRIPTION	REF. NO.	PART NO.	DESCRIPTION	REF. NO.	PART NO.	DESCRIPTION
1026	691836	Rod-Push (Intake)(Steel)	1051B	691265	Ring-Retaining	1122	93410	Screw (Blower Housing Adapter)
		----- <b>Note</b> -----	1054	280275	Tie-Cable			
		691758 Rod-Push (Exhaust)(Aluminum)	1058	277107	Operator's Manual	1130	690746	Stud (Intake Manifold)
1027	842921	Filter-Oil (2 1/4" Long)	1059	698516	Kit-Screw/Washer	1134	94464	Washer (Pawl Friction Plate)
		----- <b>Note</b> -----	1083	691626	Nut (End Cap)	1134A	94462	Washer (Pawl Friction Plate)
		491056 Filter-Oil (3 1/4" Long)	1083A	690958	Nut (End Cap)	1135	806497	Washer (Crankcase Cover/Sump)
1028	808235	Adapter-Oil Filter	1090	691293	Retainer-Brush	1254	807084	Screw (Rocker Cover Stud)(Used on Stud For Rocker Cover) (Used After Code Date 01120200).
1029	807323	Arm-Rocker	1091	●691515	Cap-Limiter	1319	794467	Label-Warning
1030	691496	Support-Rocker Arm	1095	842723	Gasket Set-Valve (Used After Code Date 01120200).	1330	272144	Repair Manual
1031	690693	Shaft-Rocker Arm			----- <b>Note</b> -----	1346	492031	Valve-Oil Drain Shut-Off
1036		Label-Emissions (Available from an Authorized Briggs & Stratton Service Dealer)			808392 Gasket Set-Valve (Used Before Code Date 01120300).			
1037	●807717	Ball-Choke Locator	1100	791959	Pivot-Rocker Arm			
1051	●690736	Ring-Retaining	1119	691552	Screw (Alternator)			
1051A	691124	Ring-Retaining (Starter Pinion)	1121	810056	Nut (Fuel Pump Bracket)			

★ Engine Gasket Set-Reference 358  
● Carburetor Overhaul Kit-Reference 121

◆ Carburetor Gasket Set-Reference 977  
Δ Valve Gasket Set-Reference 1095