

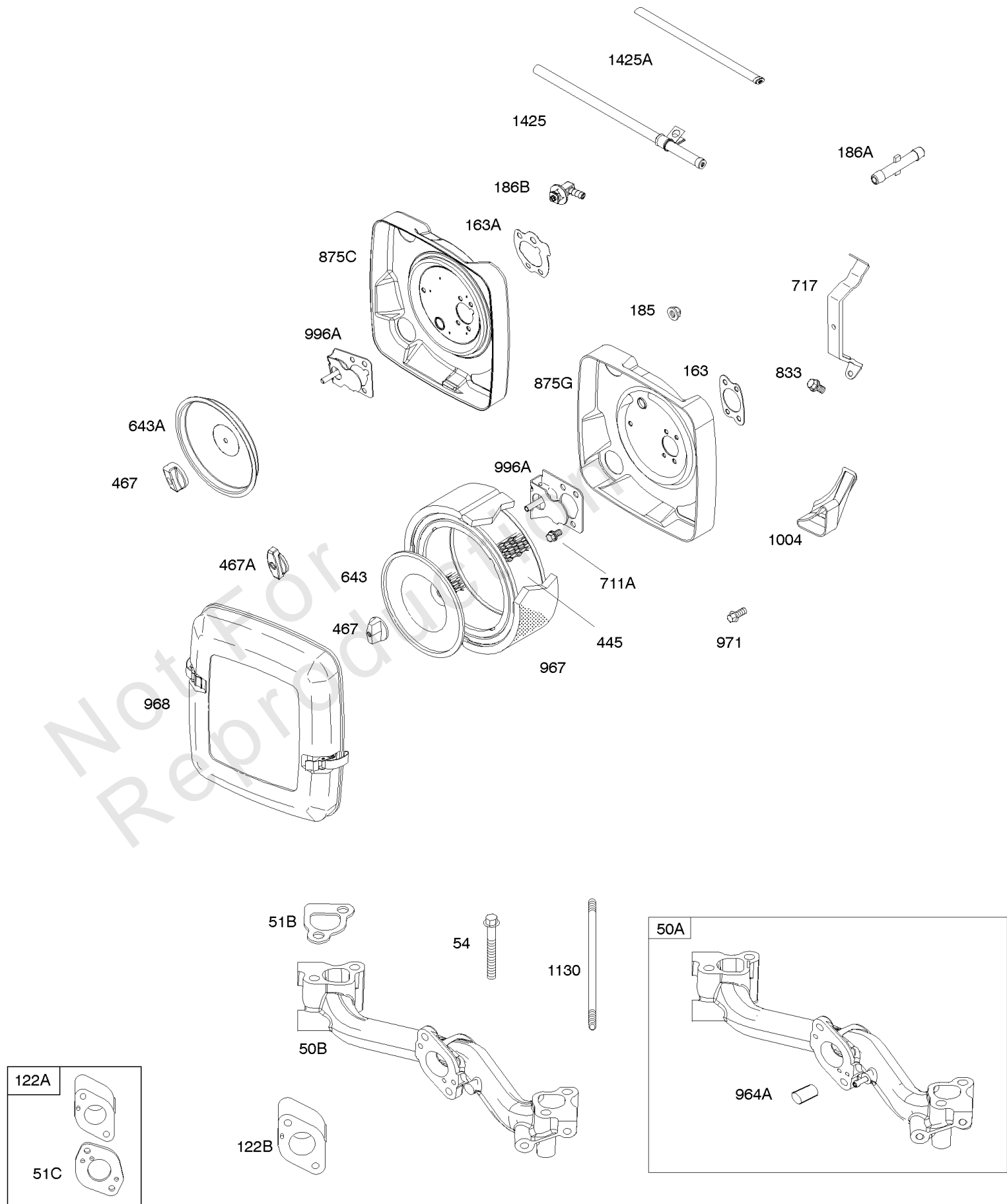


Parts Manual

Mfg. No: 305777-0151-B1

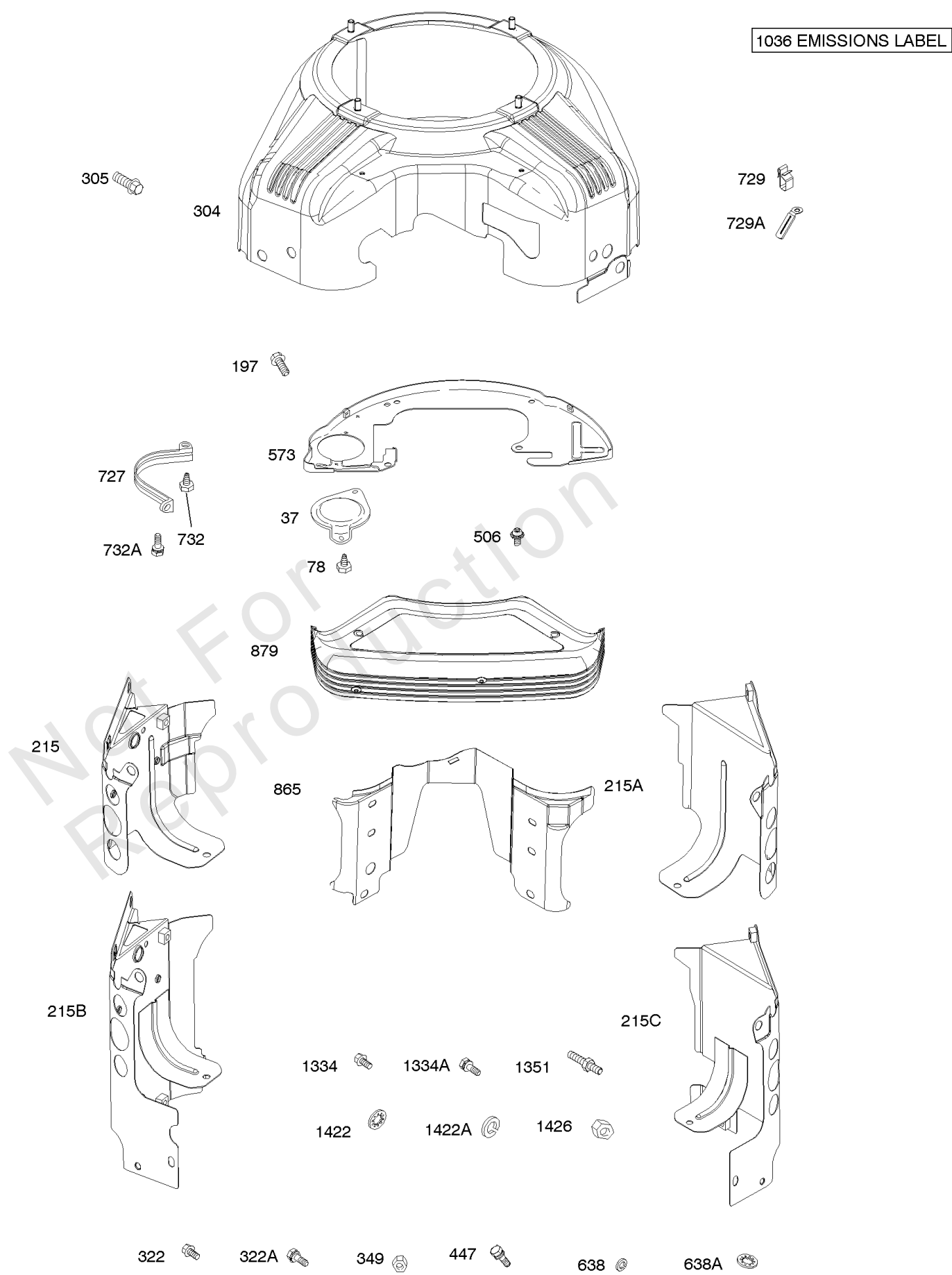
Model Components	Page
Air Cleaner, Intake Manifold, Carburetor Spacer.	4
Blower Housing, Air Guides, Back Plate.	6
Carburetor (Ruixing).	8
Carburetor Overhaul Kit, Engine/Valve Gasket Sets.	10
Carburetor, Fuel Pump, Fuel Filter, Fuel Hose.	14
Controls, Wires, Springs, Alternators, Ignition.	20
Cylinder Heads, Rocker Covers, Spark Plug.	24
Cylinder, Crankshaft, Piston/Rings/Connecting Rod, Engine Sump, Camshaft, Breather.	26
Lubrication, Oil Fill, Electric Starter.	30
Muffler, Exhaust Manifold.	34
Rewind Starter, Flywheel, Rotating/Debris Screen.	36

Not For
Reproduction



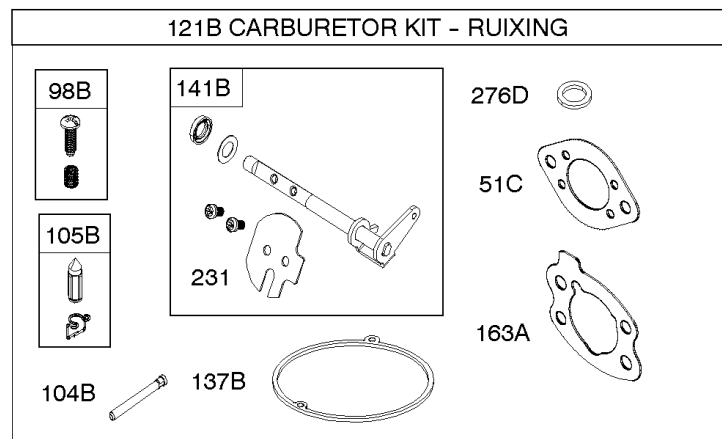
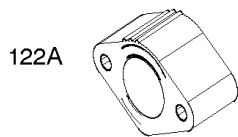
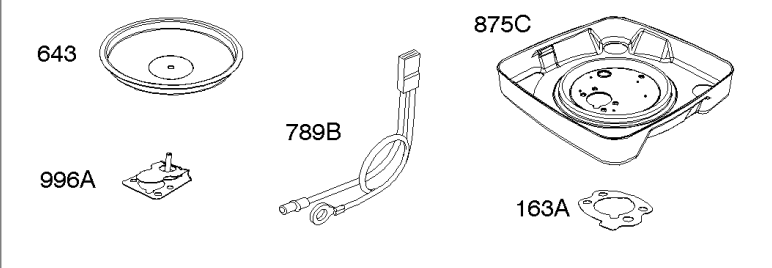
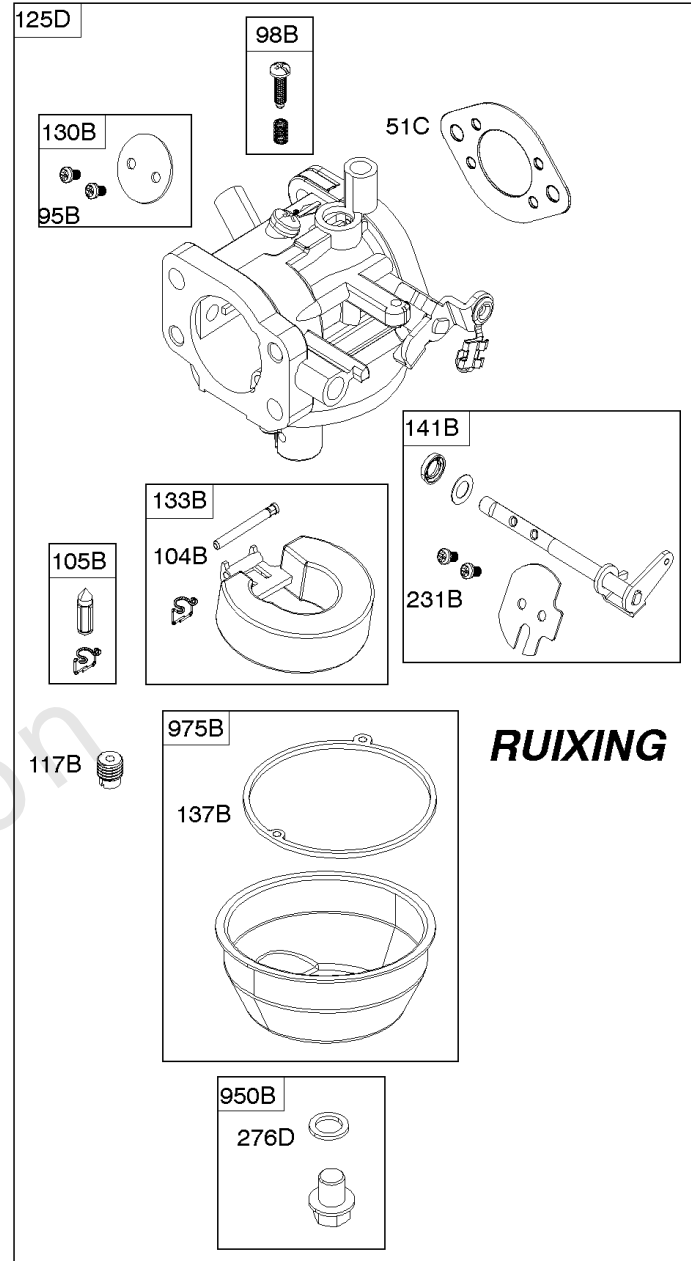
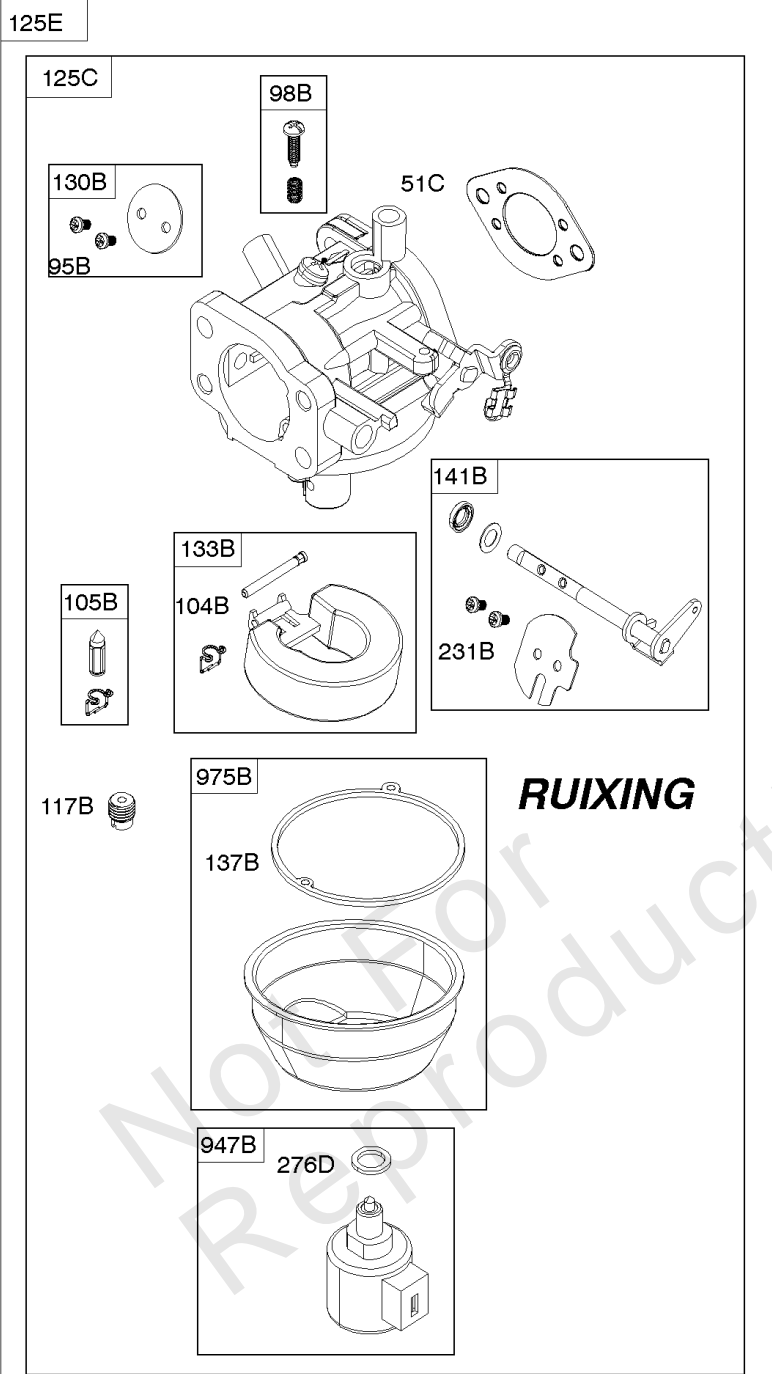
Air Cleaner, Intake Manifold, Carburetor Spacer

REF NO	PART NO	QTY	DESCRIPTION
50B	690754		Manifold-Intake
51B	692035		Gasket-Intake -(Intake Manifold to Cylinder Head)
51C	846597		Gasket-Intake -(Intake Manifold To Carburetor)
54	846604		Screw -(Intake Manifold) (M8x67mm) (Dog Point)
122A	846596		Spacer-Carburetor -Used After Code Date 10010600
122B	690753		Spacer-Carburetor -Used Before Code Date 10010700
163	692081		Gasket-Air Cleaner
163A	844931		Gasket-Air Cleaner
185	690939		NUT -(Air Cleaner Base)
186A	845121		Connector-Hose
186B	845141		CONNECTOR, Hose
445	394018S		Filter-A/C Cartridge
467	844618		Knob-Air Cleaner Cover -Used Before Code Date 14102400
467A	846431		Knob-Air Cleaner Cover -Used After Code Date 14102300
643	692079		Retainer-Air Filter -Used Before Code Date 10010700
643A	844932		Retainer-Air Filter -Used After Code Date 10010600
711A	841233		Screw -(Carburetor Shield)
717	692542		Bracket-Air Cleaner
833	807084		Screw -(Air Cleaner Mounting Strap/Stud) (M6x14mm)
875C	844929		Base-Air Cleaner -Used After Code Date 10010600
875G	846046		Base-Air Cleaner -Used Before Code Date 10010700
964A	809640		Cap-Connector
967	272490S		Filter-Pre Cleaner
968	699959		Cover-Air Cleaner
971	807084		Screw -(Air Cleaner Base to Carburetor/Throttle Body)
996A	844930		Shield-Carburetor
1004	841656		Duct-Air
1130	690746		Stud -(Intake Manifold) (M6x94mm)



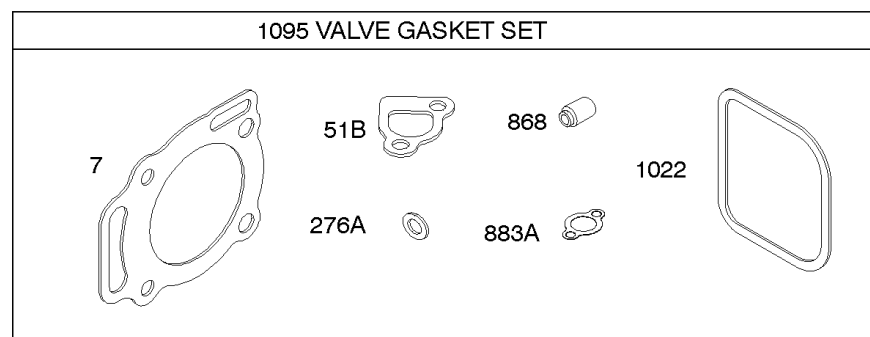
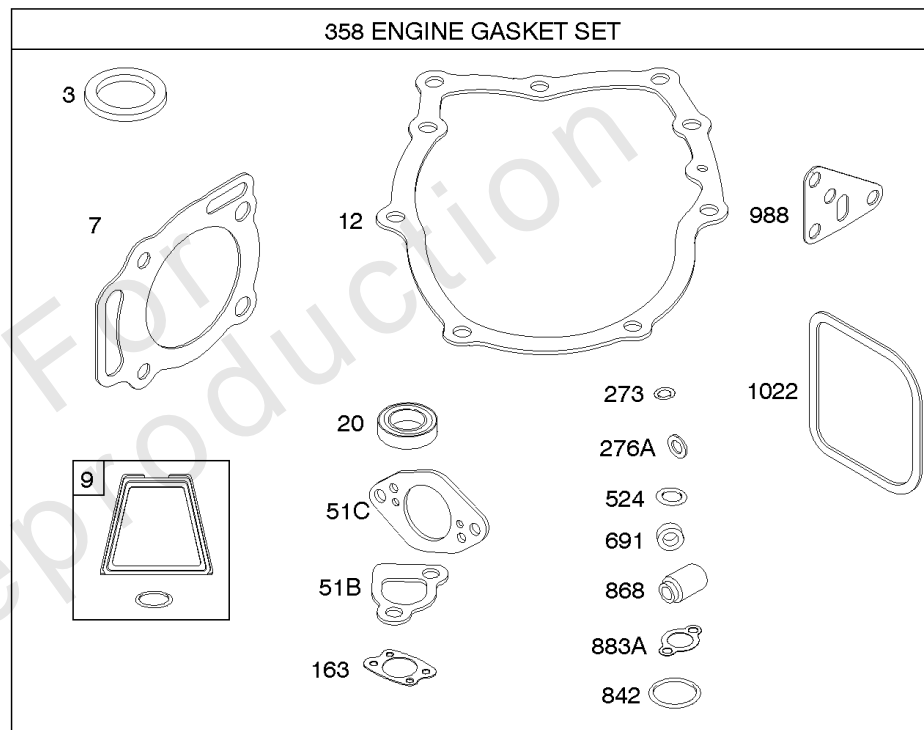
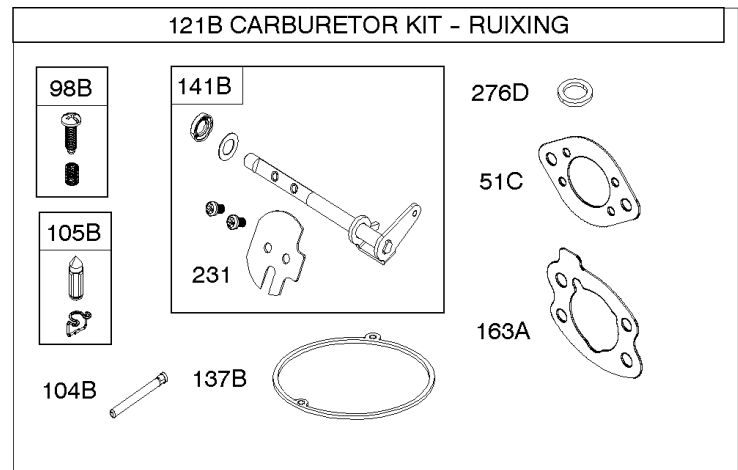
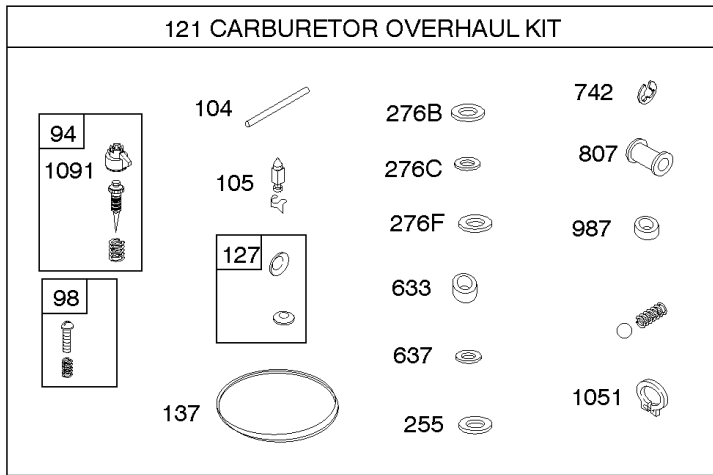
Blower Housing, Air Guides, Back Plate

REF NO	PART NO	QTY	DESCRIPTION
37	841309		Guard-Flywheel
78	690688		Screw -(Flywheel Guard)
197	807163		Screw -(Back Plate)
215	841183		Guide-Air -(Cylinder #1)
215A	841182		Guide-Air -(Cylinder #2)
304	842681		Housing-Blower
305	692056		Screw -(Blower Housing)
322	841233		Screw -(Cylinder Head Cover) (M6x10mm)
322A	692067		Screw -(Cylinder Head Cover) (M6x12mm)
349	690238		Nut -(Cylinder Head Cover) (M6)
447	807163		Screw -(Air Guide Cover) (M6x10mm)
506	807120		Screw -(Carburetor/EFI Cover)
573	841310		Plate-Back
638	691551		Washer -(Cylinder Head Cover) -Used Before Code Date 03110100
638A	690706		Washer -(Cylinder Head Cover)
727	841313		Cover-Starter Drive
729	690586		Clip-Wire
729A	805965		Clip-Wire
732	690688		Screw -(Starter Drive Cover) (Self Threading) (8mm)
732A	841233		Screw -(Starter Drive Cover) (M6x10mm)
865	843768		Cover-Air Guide
879	593789		Cover-Carburetor/EFI
1036			Label-Emissions -(Available From A Briggs & Stratton Authorized Dealer)
1334	841233		Screw -(Air Guide) (M6x10mm)
1334A	692067		Screw -(Air Guide) (M6x12mm)
1351	690682		Stud -(Cylinder Shield) (M6)
1422	691551		Washer -(Air Guide) (Internal Tooth Lockwasher)
1422A	690706		Washer -(Air Guide) (Lockwasher)
1426	690238		Nut -(Air Guide) (M6)



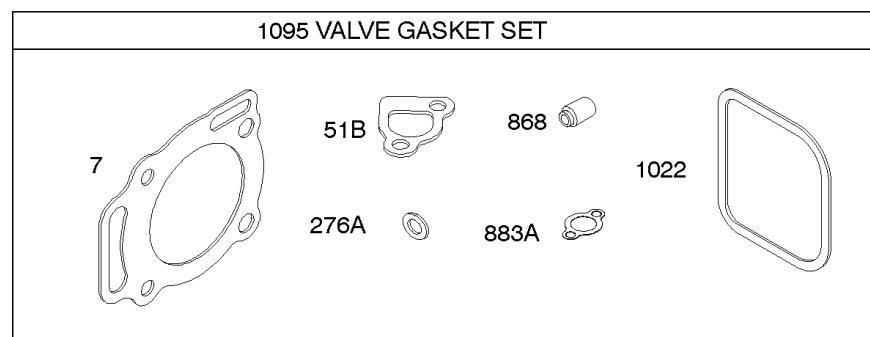
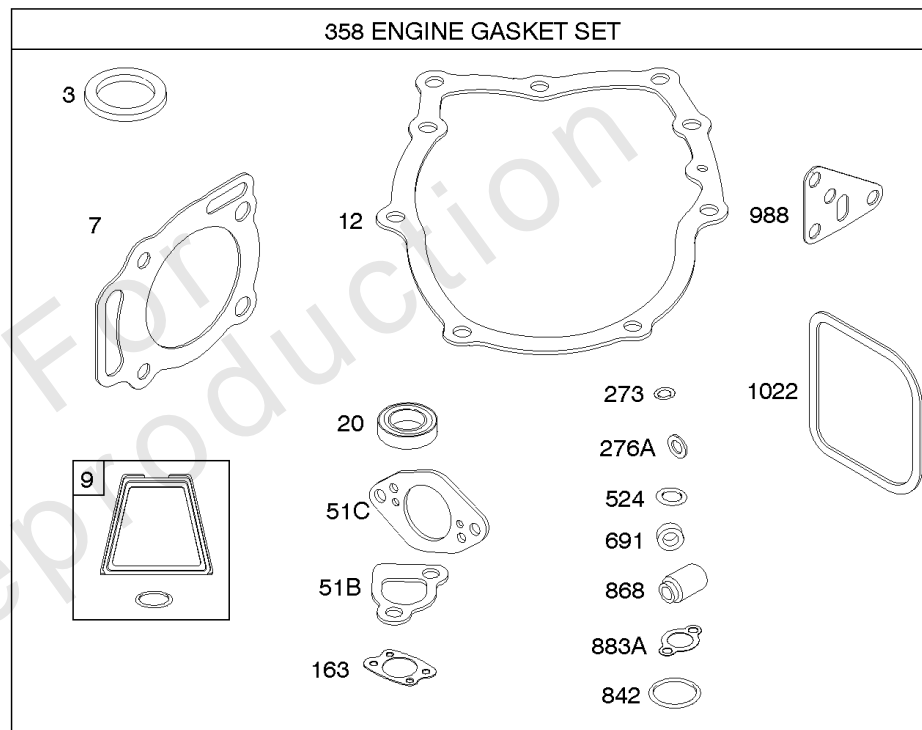
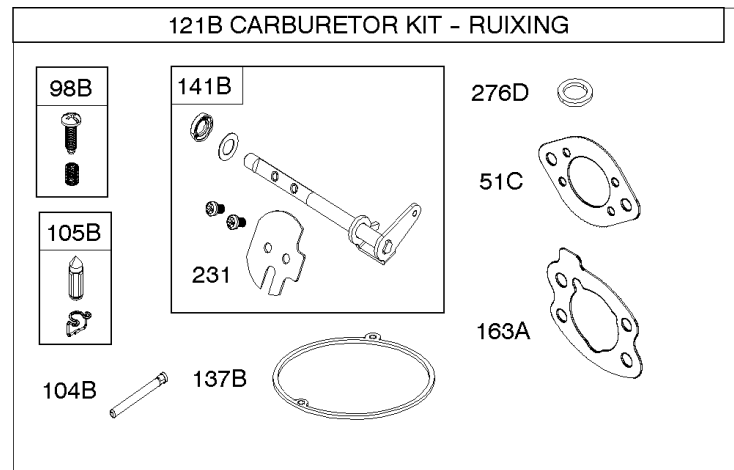
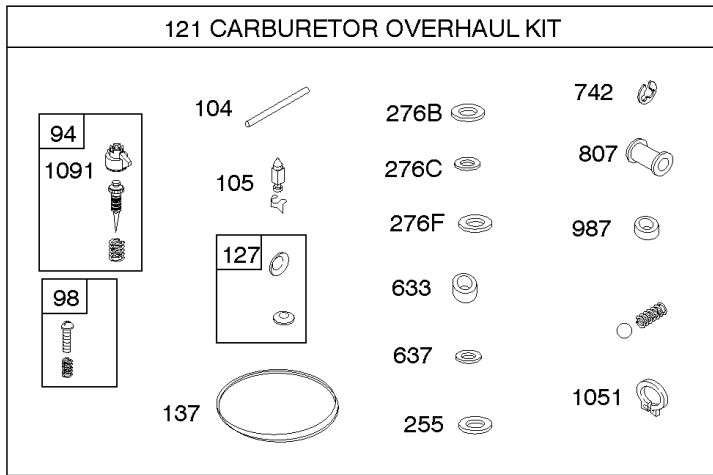
Carburetor (Ruixing)

REF NO	PART NO	QTY	DESCRIPTION
51C	846597		Gasket-Intake -(Intake Manifold To Carburetor)
95B	846644		Screw -(Throttle Valve) (Ruixing)
98B	846649		Kit-Idle Speed -(Ruixing)
104B	846646		Pin-Float Hinge -(Ruixing)
105B	846643		Valve-Float Needle -(Ruixing)
117B	846647		Jet-Main -(Standard) (Ruixing)
118B	846589		Jet-Main -(High Altitude) (HIGH ALITITUDE 9000 ft. - Ruixing)
118B	846590		Jet-Main -(High Altitude) (HIGH ALITITUDE 5000 ft. - Ruixing)
121B	847318		Kit-Carburetor Overhaul -(Ruixing)
122A	846596		Spacer-Carburetor -Used After Code Date 10010600
125C	846595		Carburetor -(Ruixing) -Used After Code Date 14121100
125E	846944		Carburetor -(Ruixing)
130B	846638		Valve-Throttle -(Ruixing)
133B	846645		Float-Carburetor -(Ruixing)
137B	846642		Gasket-Float Bowl -(Ruixing)
141B	846637		Kit-Choke Shaft -(Ruixing)
163A	844931		Gasket-Air Cleaner
231	690718		SCREW -(Choke Valve)
231B	846644		Screw -(Choke Valve) (Ruixing)
276D	846640		WASHER, Sealing -(Ruixing)
643	692079		Retainer-Air Filter -Used Before Code Date 10010700
789B	844914		Harness-Wiring -(Fuel Solenoid)
875C	844929		Base-Air Cleaner -Used After Code Date 10010600
947B	846639		SOLENOID, Fuel -(Ruixing)
950B	846648		Screw-Float Bowl -(Ruixing)
975B	846641		Bowl-Float -(Ruixing)
996A	844930		Shield-Carburetor



Carburetor Overhaul Kit, Engine/Valve Gasket Sets

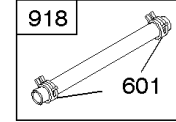
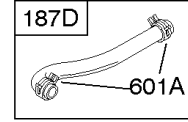
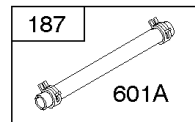
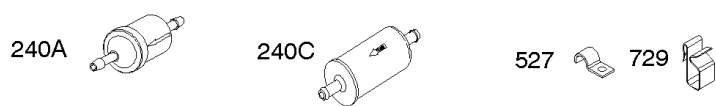
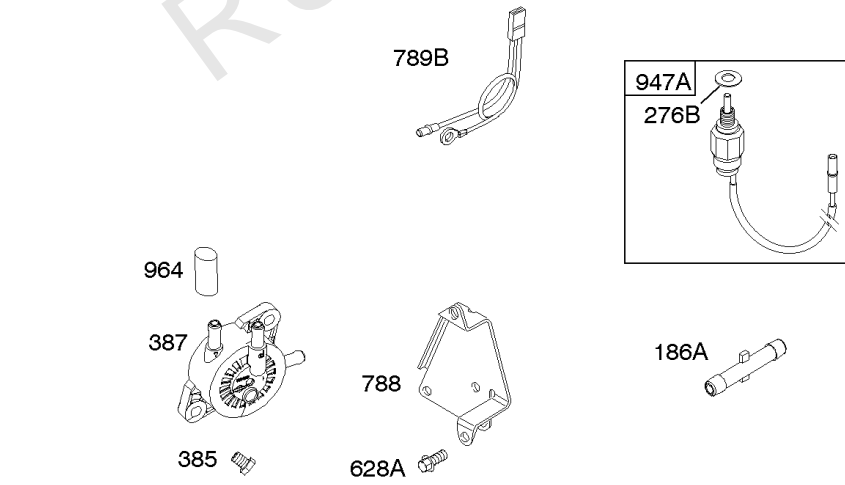
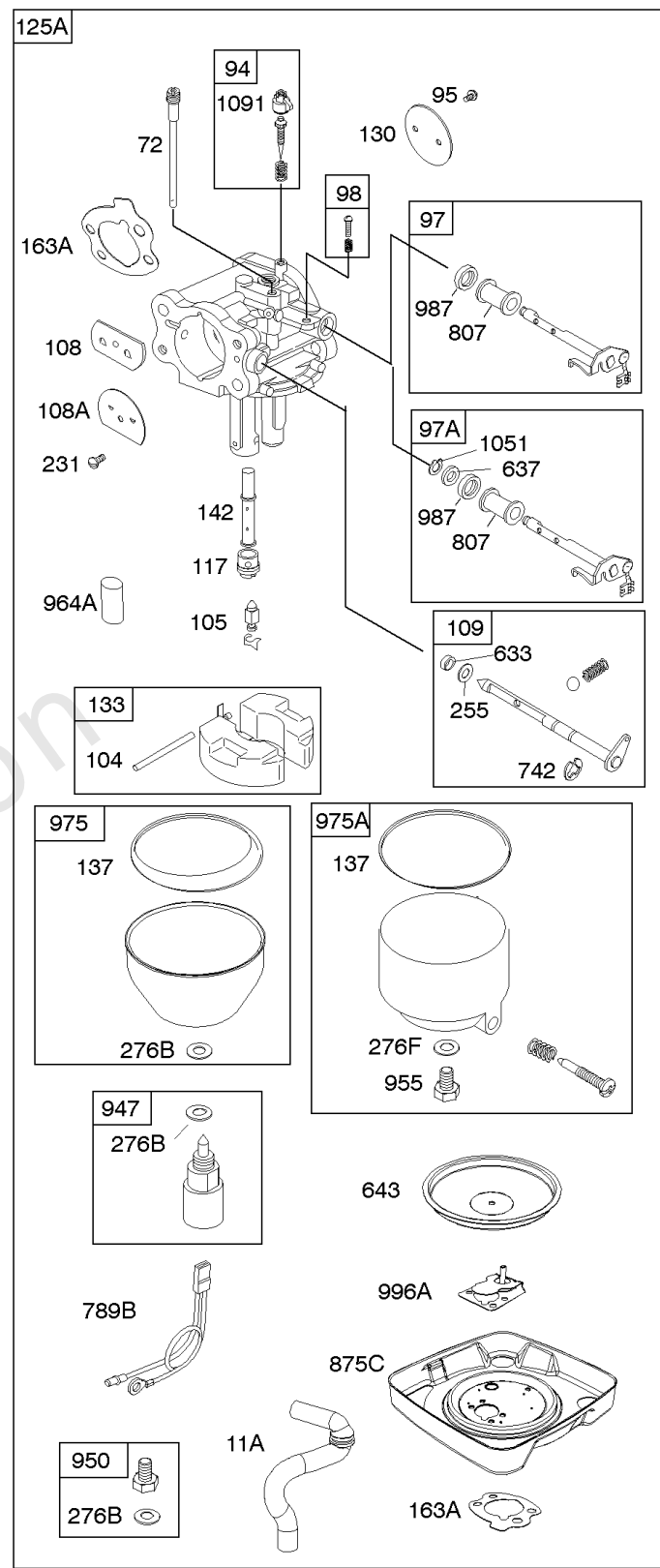
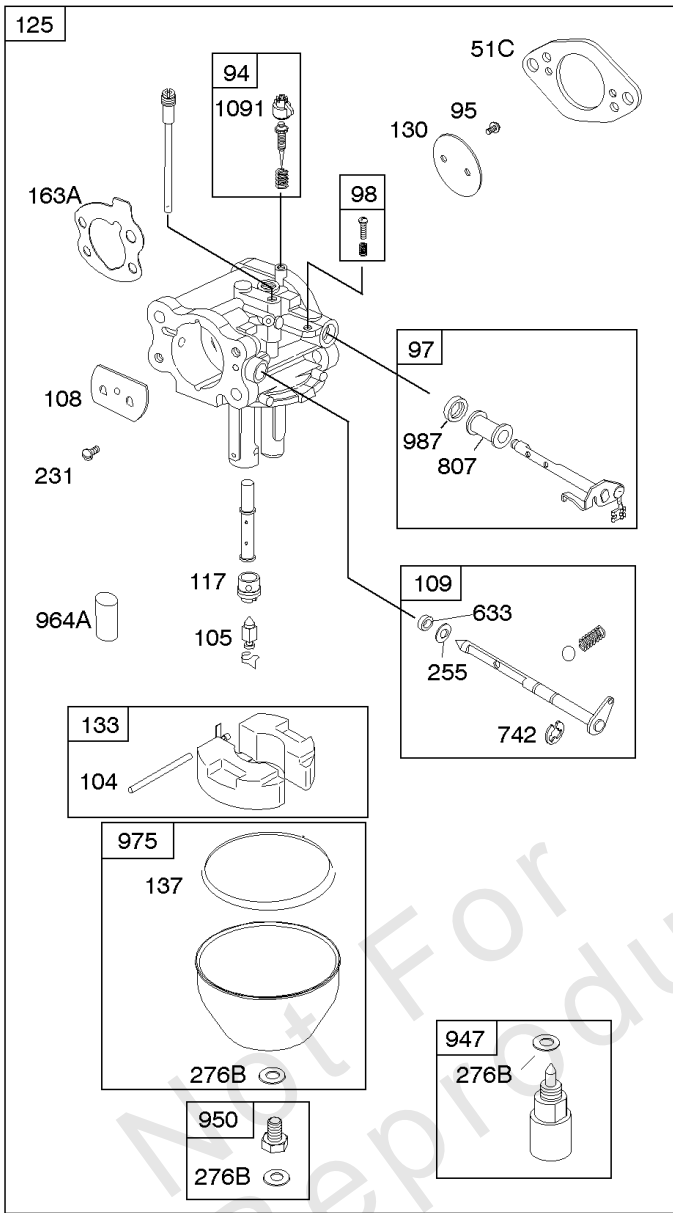
REF NO	PART NO	QTY	DESCRIPTION
3	805101S		Seal-Oil -(Magneto Side)
7	806085S		Gasket-Cylinder Head
9	844986		Gasket-Breather
12	845254		Gasket-Crankcase -(Steel Core Gasket)
20	805049S		Seal-Oil -(PTO Side)
51B	692035		Gasket-Intake -(Intake Manifold to Cylinder Head)
51C	846597		Gasket-Intake -(Intake Manifold To Carburetor)
94	808258		Kit-Idle Mixture -Used Before Code Date 06122500
94	844912		Kit-Idle Mixture -Used After Code Date 10010600
94	842888		Kit-Idle Mixture -Used After Code Date 06122400 -Used Before Code Date 10010700
98	807705		Kit-Idle Speed
98B	846649		Kit-Idle Speed -(Ruixing)
104	690739		Pin-Float Hinge -Used Before Code Date 10010700
104	844906		Pin-Float Hinge -Used After Code Date 10010600
104B	846646		Pin-Float Hinge -(Ruixing)
105	844907		Valve-Float Needle -Used After Code Date 10010600
105	807706		Valve-Float Needle -Used Before Code Date 10010700
105B	846643		Valve-Float Needle -(Ruixing)
121	842890		Kit-Carburetor Overhaul
121B	847318		Kit-Carburetor Overhaul -(Ruixing)
127	690731		Plug-Welch
137	844908		Gasket-Float Bowl -Used After Code Date 10010600
137	806481		Gasket-Float Bowl -Used Before Code Date 10010700
137B	846642		Gasket-Float Bowl -(Ruixing)
141B	846637		Kit-Choke Shaft -(Ruixing)
163	692081		Gasket-Air Cleaner
163A	844931		Gasket-Air Cleaner
231	690718		SCREW -(Choke Valve)
255	690737		Bushing-Choke Shaft
273	690681		Seal-O Ring -(Oil Pump)
276A	807085		Washer-Sealing -(Rocker Cover)
276B	806476		Washer-Sealing -(Carburetor)
276C	806477		Washer-Sealing -(Carburetor)



Carburetor Overhaul Kit, Engine/Valve Gasket Sets

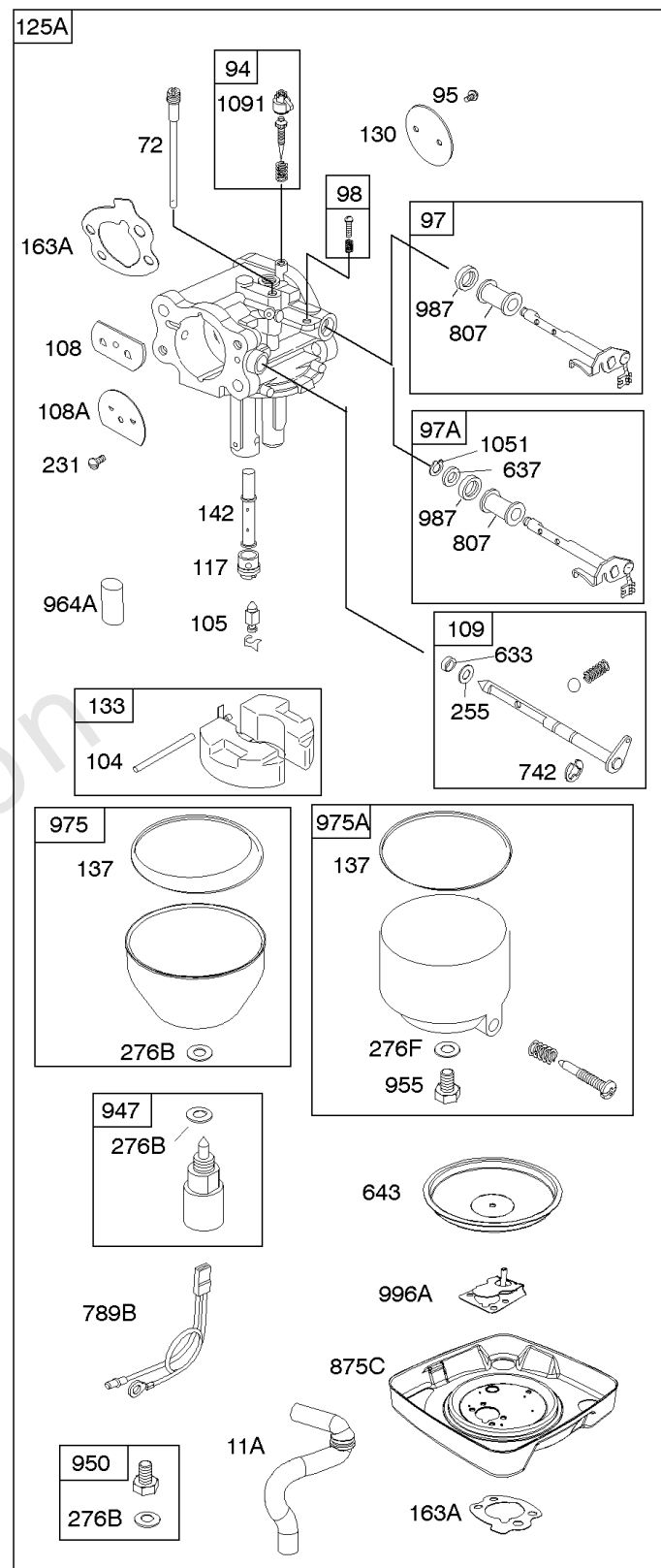
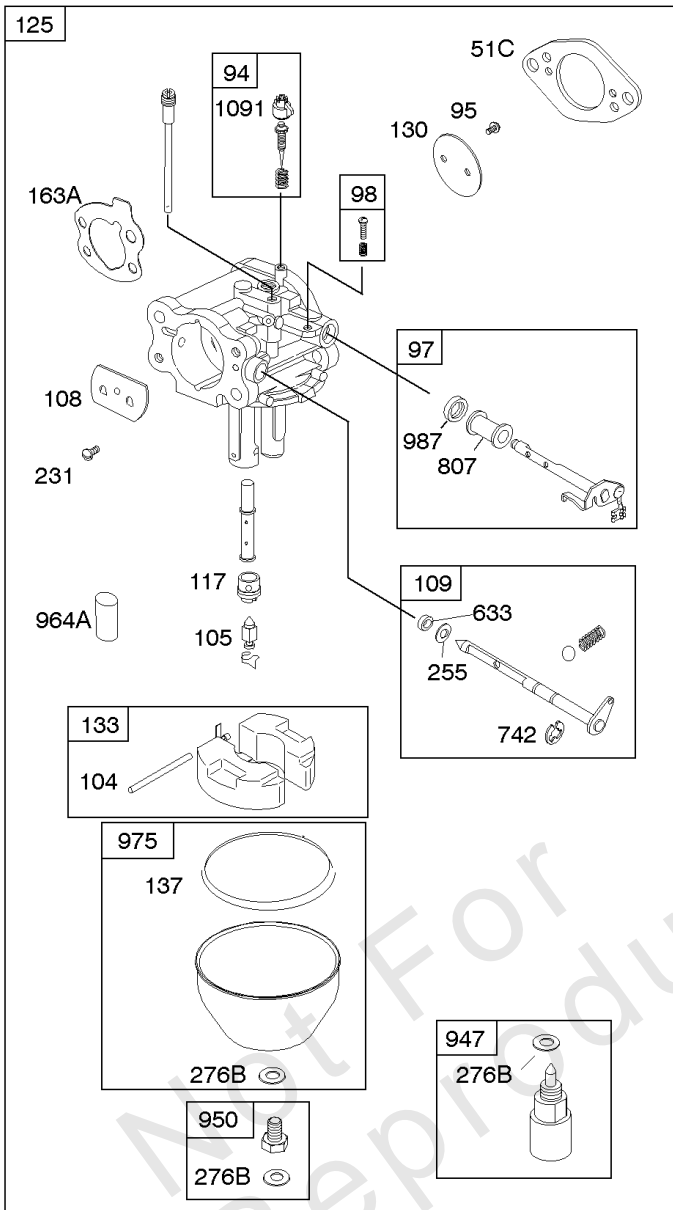
REF NO	PART NO	QTY	DESCRIPTION
276D	846640		WASHER, Sealing -(Ruixing)
276F	692343		Washer-Sealing
358	808704		Gasket Set-Engine
524	692053		Seal-Dipstick Tube
633	690738		Seal-Choke/Throttle Shaft -(Choke Shaft)
637	690735		Washer -(Throttle Shaft)
691	842826		Seal-Governor Shaft
742	805578		Retainer-E Ring
807	690733		Spacer-Throttle
842	691870		Seal-O Ring -(Dipstick Tube)
868	691963		Seal-Valve
883A	691613		Gasket-Exhaust
987	691548		Seal-Throttle Shaft
988	692063		Gasket-Oil Adapter
1022	806039S		Gasket-Rocker Cover
1051	690736		Ring-Retaining -(Throttle Shaft)
1091	691515		Cap-Limiter
1095	842723		Gasket Set-Valve

Not For
Reproduction

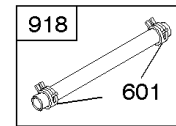
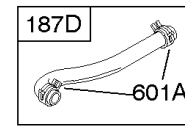
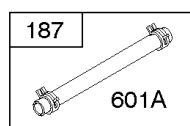
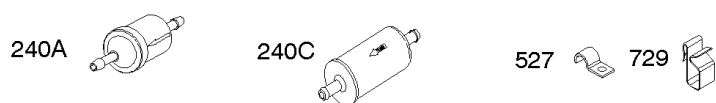
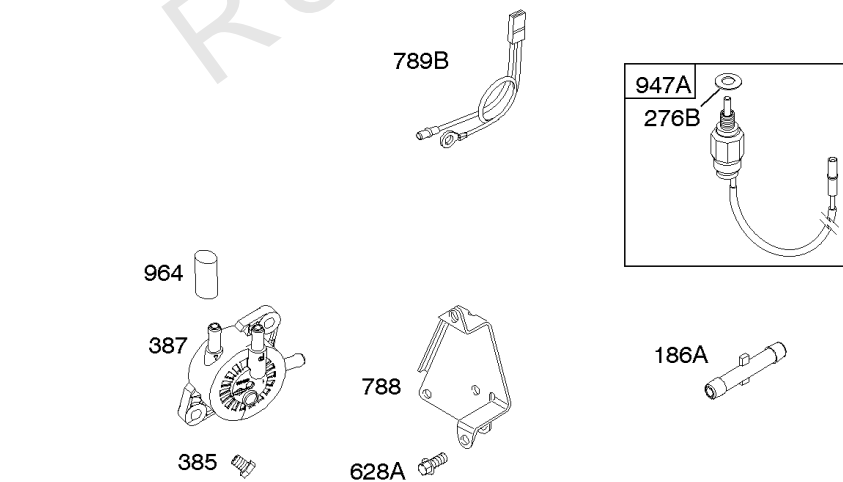


Carburetor, Fuel Pump, Fuel Filter, Fuel Hose

REF NO	PART NO	QTY	DESCRIPTION
11A	844921		Tube-Breather -Used After Code Date 10010600
51C	846597		Gasket-Intake -(Intake Manifold To Carburetor)
72	806488		Tube-Jet -(Standard) -Used Before Code Date 10010700
94	844912		Kit-Idle Mixture -Used After Code Date 10010600
94	808258		Kit-Idle Mixture -Used Before Code Date 06122500
94	842888		Kit-Idle Mixture -Used After Code Date 06122400 -Used Before Code Date 10010700
95	690718		SCREW -(Throttle Valve)
97	844917		Shaft-Throttle -Used After Code Date 10010600
97A	808323		Shaft-Throttle -Used Before Code Date 10010700
98	807705		Kit-Idle Speed
104	690739		Pin-Float Hinge -Used Before Code Date 10010700
104	844906		Pin-Float Hinge -Used After Code Date 10010600
105	807706		Valve-Float Needle -Used Before Code Date 10010700
105	844907		Valve-Float Needle -Used After Code Date 10010600
108	844903		Valve-Choke -(No Longer Available, For Replacement See Reference 125) -Used After Code Date 10010600
108A	690729		Valve-Choke -Used Before Code Date 10010700
109	844913		Shaft-Choke -Used After Code Date 10010600
109	807711		Shaft-Choke -Used Before Code Date 10010700
117	844910		Jet-Main -(Standard) -Used After Code Date 10010600
117	806487		Jet-Main -(Standard) -Used Before Code Date 10010700
118	845545		Jet-Main -(High Altitude) (High Altitude) -Used After Code Date 10010600
118	806634		Jet-Main -(High Altitude) (High Altitude) -Used Before Code Date 10010700
125	844919		Carburetor -(Includes Solenoid) -Used After Code Date 10010600
125A	846108		Carburetor -(No Longer Available, For Replacement See Reference 125E) -Used Before Code Date 10010600
130	690732		Valve-Throttle
133	807710		Float-Carburetor -Used Before Code Date 10010700
133	844905		Float-Carburetor -(NO LONGER AVAILABLE) -Used After Code Date 10010600

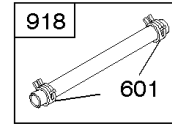
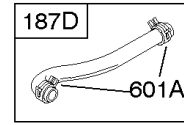
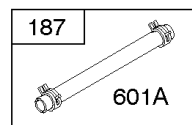
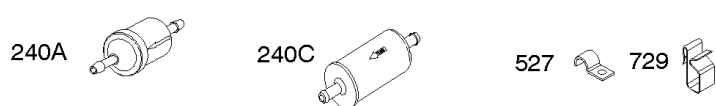
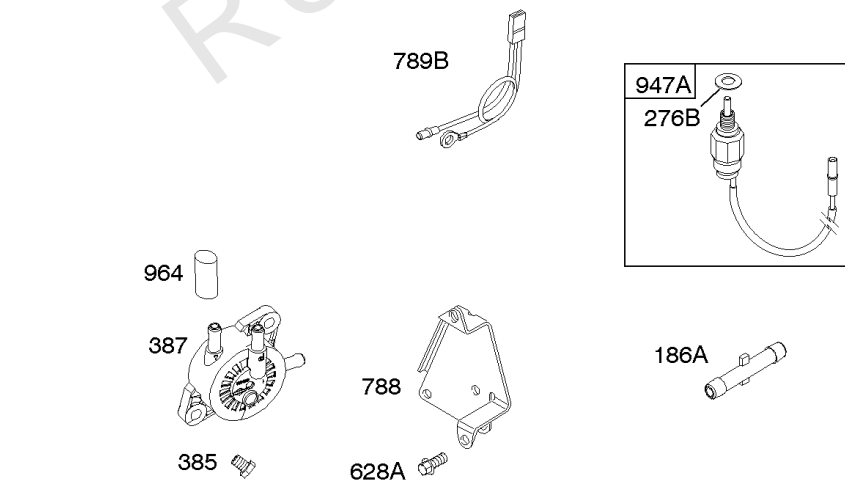
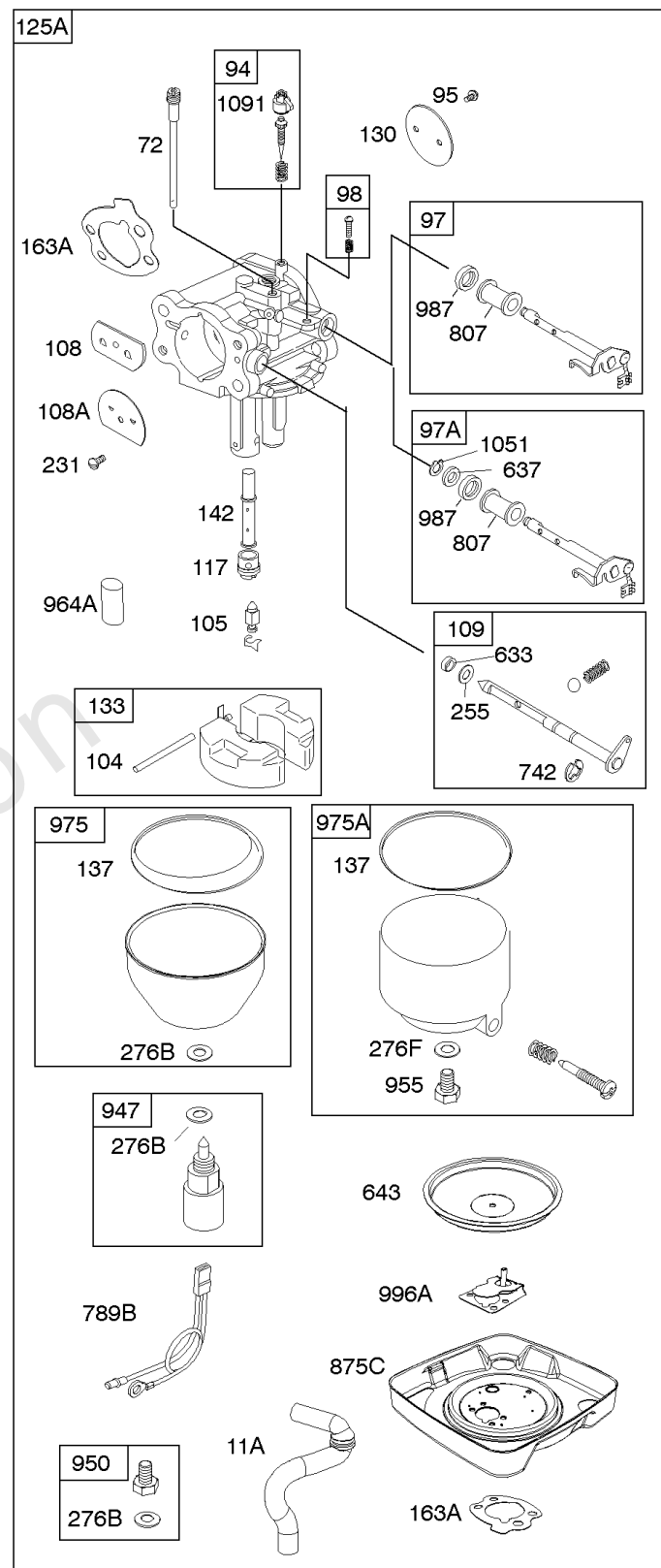
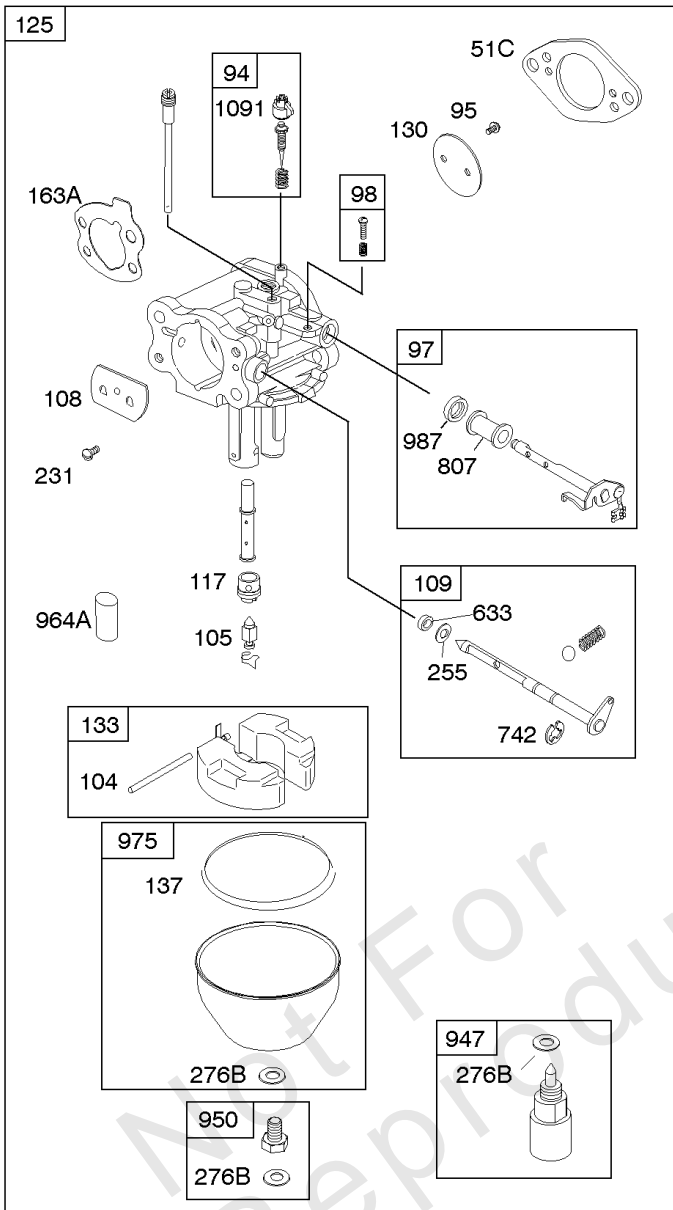


118



Carburetor, Fuel Pump, Fuel Filter, Fuel Hose

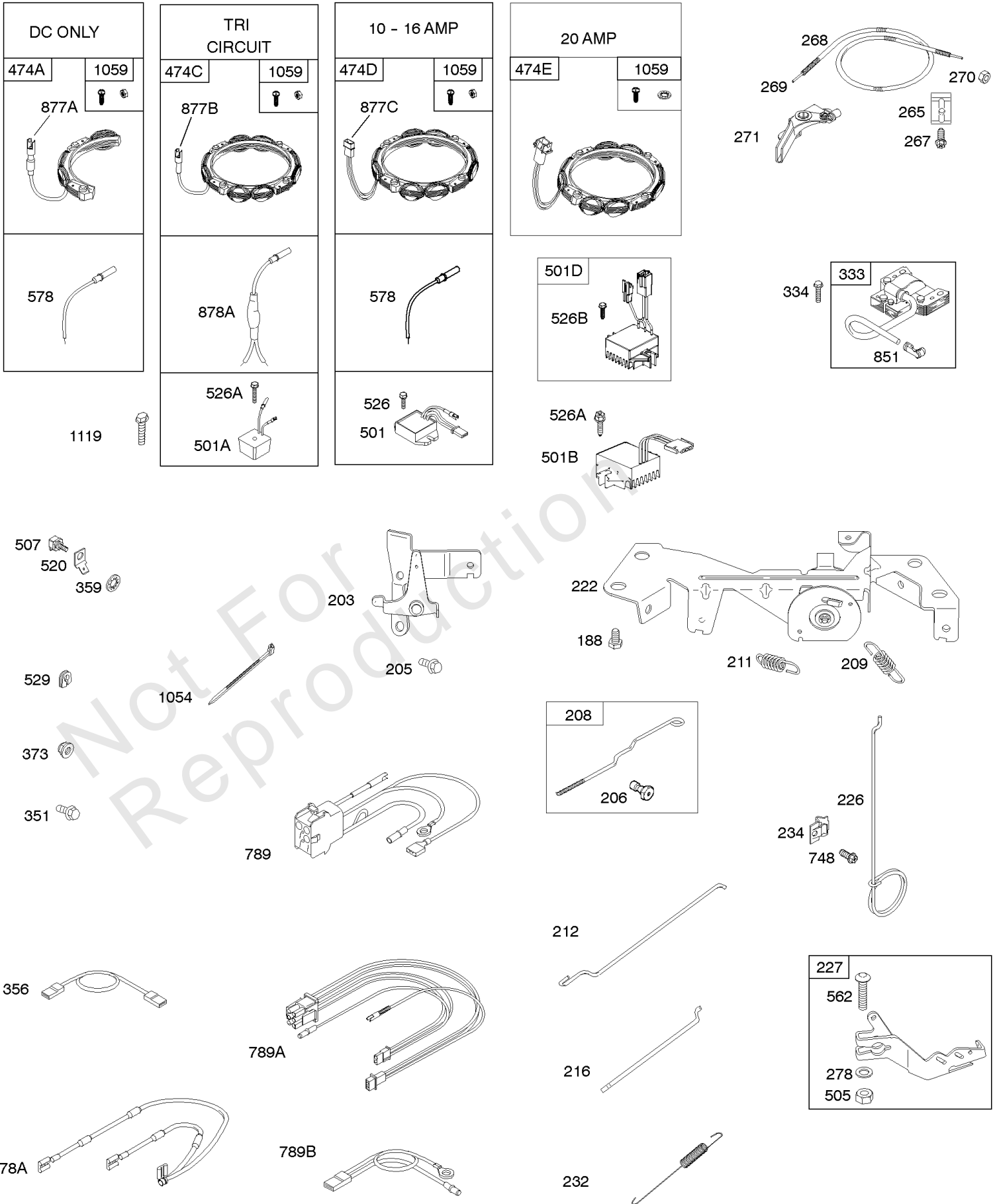
REF NO	PART NO	QTY	DESCRIPTION
137	844908		Gasket-Float Bowl -Used After Code Date 10010600
137	806481		Gasket-Float Bowl -Used Before Code Date 10010700
142	806635		Nozzle-Carburetor -Used Before Code Date 10010700
163A	844931		Gasket-Air Cleaner
186A	845121		Connector-Hose
187	791745		Line-Fuel -(23" Long) (Cut to Required Length)
187	791766		LINE, Fuel -(15" Long)(Cut to Required Length)
187D	791744		LINE, Fuel -(Formed)(14 Inches Long)(Cut To Required Length)
231	690718		SCREW -(Choke Valve)
240A	691035		FILTER, Fuel
240C	845125		FILTER, Fuel
255	690737		Bushing-Choke Shaft
276B	806476		Washer-Sealing -(Carburetor)
276F	692343		Washer-Sealing
385	807084		Screw -(Fuel Pump)
387	808656		PUMP, Fuel
527	690423		Clamp-Tube
601	791850		CLAMP, Hose -(Green)
601A	691038		CLAMP, Hose -(Black)
628A	806660		Screw -(Fuel Pump Bracket)
633	690738		Seal-Choke/Throttle Shaft -(Choke Shaft)
637	690735		Washer -(Throttle Shaft)
643	692079		Retainer-Air Filter -Used Before Code Date 10010700
729	690586		Clip-Wire
742	805578		Retainer-E Ring
788	691559		Bracket-Fuel Pump
789B	844914		Harness-Wiring -(Fuel Solenoid)
807	690733		Spacer-Throttle
875C	844929		Base-Air Cleaner -Used After Code Date 10010600
918	791880		Hose-Vacuum -(Cut To Required Length)
947	844911		Solenoid-Fuel -(NO LONGER AVAILABLE) -Used After Code Date 10010600
947A	806472		Solenoid-Fuel -Used Before Code Date 10010700
950	844916		Screw-Float Bowl -Used After Code Date 10010600
955	691511		Plug-Carburetor -Used Before Code Date 10010700
964	590799		Cap-Connector



Carburetor, Fuel Pump, Fuel Filter, Fuel Hose

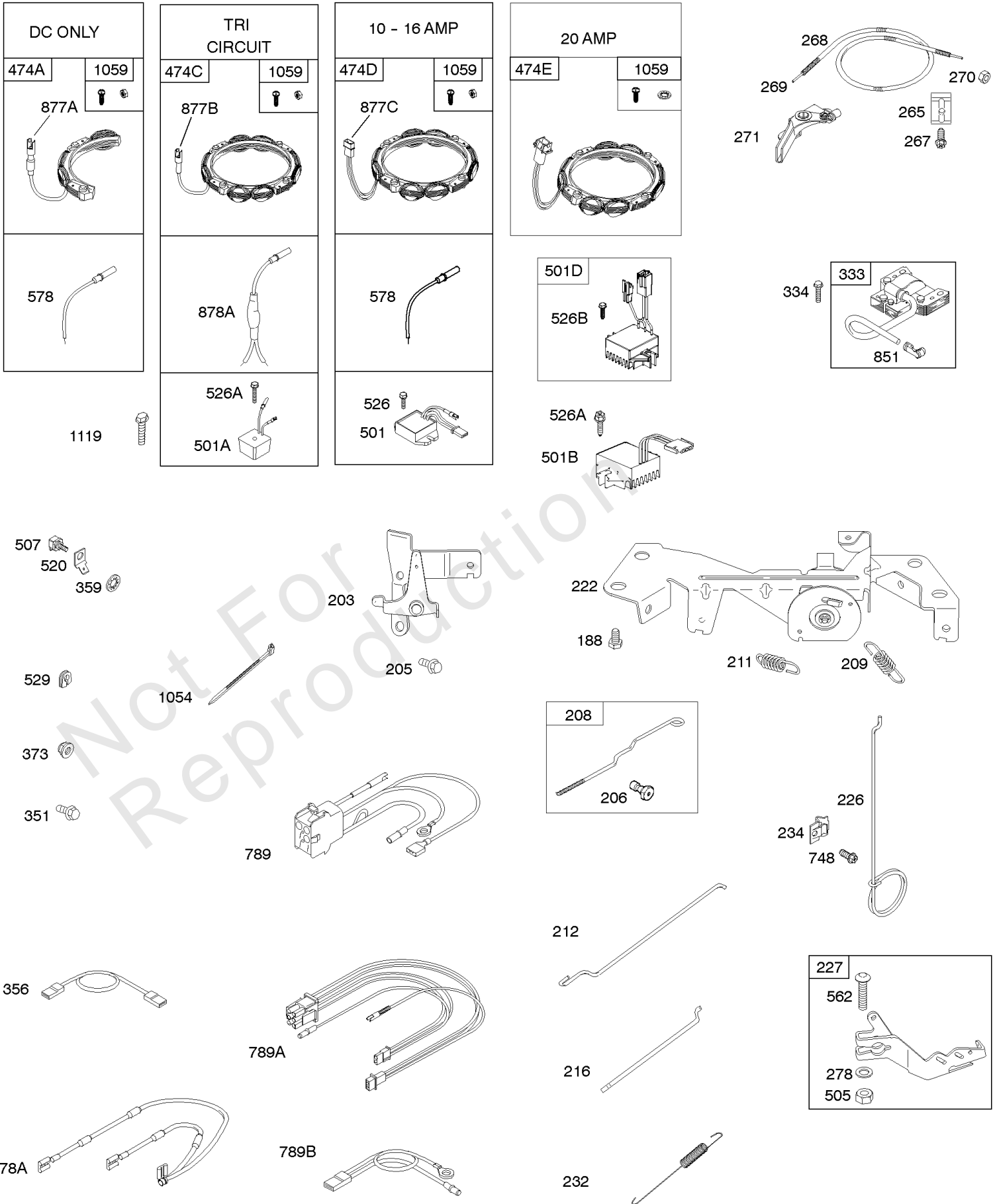
REF NO	PART NO	QTY	DESCRIPTION
964A	809640		Cap-Connector
975	844909		Bowl-Float -Used After Code Date 10010600
975A	807715		Bowl-Float -Used Before Code Date 10010700
987	691548		Seal-Throttle Shaft
996A	844930		Shield-Carburetor
1051	690736		Ring-Retaining -(Throttle Shaft)
1091	691515		Cap-Limiter

Not For
Reproduction



Controls, Wires, Springs, Alternators, Ignition

REF NO	PART NO	QTY	DESCRIPTION
10	690751		Screw -(Breather Assembly)
20	805049S		Seal-Oil -(PTO Side)
188	692062		Screw -(Control Bracket)
203	690923		Crank-Bell
205	841552		Screw -(Bell Crank) (M5x20mm)
205	692083		Screw -(Bell Crank) (M5x12mm)
206	691244		Nut-Governor Adjusting
208	808453		Rod-Governor Control
209	692071		Spring-Governor -(White)
211	692069		Spring-Governed Idle -(Red)
212	847015		Link-Throttle
216	690705		Link-Choke
222	845305		Bracket-Control
226	692075		Rod-Choke
227	690236		Lever-Governor Control
232	692073		Spring-Governor Link
234	691723		Clip-Control Rod
265	691024		CLAMP, Casing
267	692083		Screw -(Casing Clamp) (M5x12mm)
267	841552		Screw -(Casing Clamp) (M5x20mm)
268	691025		CASING, Control Wire -(Cut To Required Length)
269	691026		WIRE, Control -(Cut To Required Length)
270	691027		NUT -(Control Wire Casing)
271	691028		Lever-Control
278	842122		Washer -(Governor Control Lever)
333	845606		Armature-Magneto
334	692066		Screw -(Magneto Armature)
351	692083		Screw -(Ground Terminal)
359	691077		Washer -(Ground Terminal)
373	691612		Nut -(Ground Terminal)
474C	592829		ALTERNATOR
501A	794360		REGULATOR
505	690238		Nut -(Governor Control Lever)
507	691972		Insulator
520	691084		Terminal-Ground
526	692067		Screw -(Regulator) (M6x12mm)
526A	690717		Screw -(Regulator) (M6x30mm)



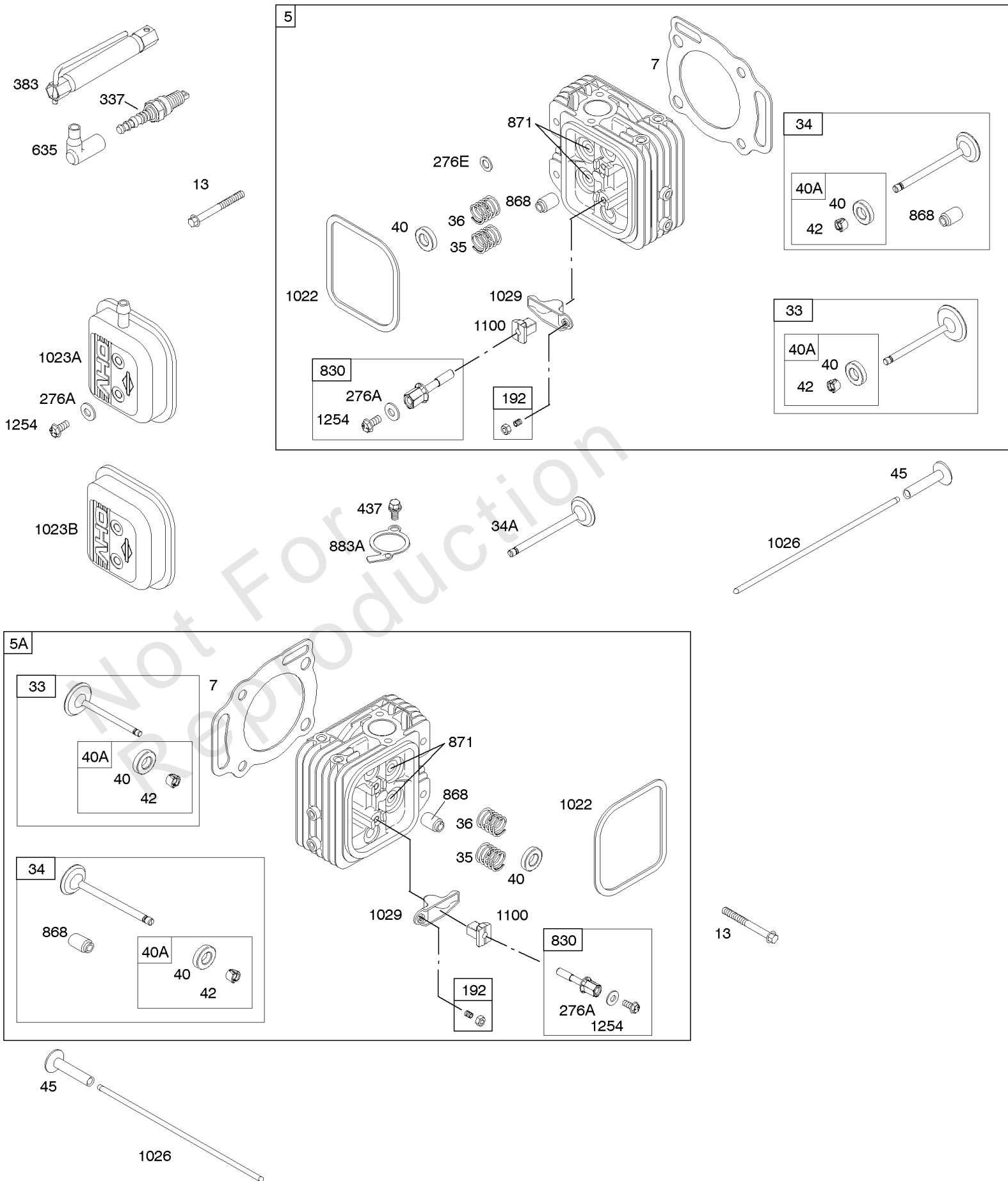
Controls, Wires, Springs, Alternators, Ignition

REF NO	PART NO	QTY	DESCRIPTION
526B	691547		Screw -(Regulator) (M6x28mm)
529	690744		Grommet
562	690239		Bolt -(Governor Control Lever)
578	692306		Wire Assembly
578A	844547		Wire Assembly
748	692083		Screw -(Control Rod Clip)
789	698332		Harness-Wiring
789A	695050		HARNESS, Wiring
789B	844914		Harness-Wiring -(Fuel Solenoid)
851	493880S		TERMINAL, Spark Plug
877A	393814		Wire/Connector-Alternator
877B	399916		Wire/Connector-Alternator
877C	393456		WIRE/CONNECTOR, Alternator
878A	398661		Harness-Alternator
1054	280275		Tie-Cable
1059	698516		KIT, Screw/Washer -(Alternator)
1119	691552		Screw -(Alternator)

Not For
Reproduction

Cylinder Heads, Rocker Covers, Spark Plug

Mfg. No: 305777-0151-B1

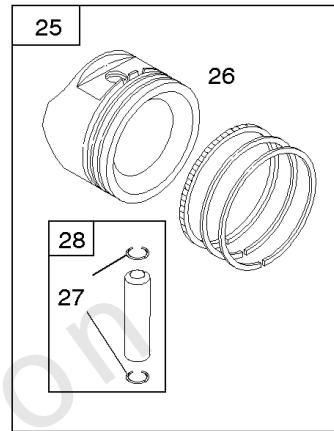
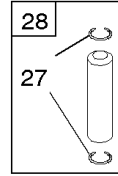
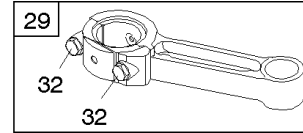
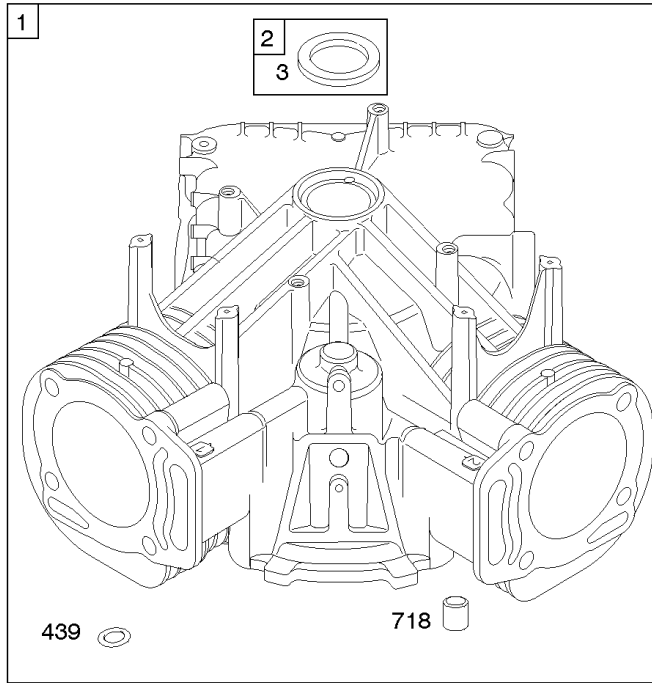


Cylinder Heads, Rocker Covers, Spark Plug

REF NO	PART NO	QTY	DESCRIPTION
5	809200		Head-Cylinder -(Cylinder #1)
5A	809201		Head-Cylinder -(Cylinder #2)
7	806085S		Gasket-Cylinder Head
13	692059		Screw -(Cylinder Head)
33	807681		Valve-Exhaust
34	843751		Valve-Intake -Used After Code Date 12021300
34A	807680		Valve-Intake -Used Before Code Date 12021400
35	692084		Spring-Valve -(Intake)
36	692084		Spring-Valve -(Exhaust)
40	692058		Retainer-Valve
40A	844895		Retainer-Valve
42	807683		Keeper-Valve
45	843379		Tappet-Valve
192	807623		Adjuster-Rocker Arm
276A	807085		Washer-Sealing -(Rocker Cover)
276E	691766		Washer-Sealing
337	792015		PLUG, Spark -(Resistor EMS)
383	19576S		WRENCH, Spark Plug
437	691902		Screw -(Exhaust Manifold) (M8x20mm)
635	692076		BOOT, Spark Plug
830	809157		Stud-Rocker Arm
868	691963		Seal-Valve
871	692057		Bushing-Valve Guide
883A	691613		Gasket-Exhaust
1022	806039S		Gasket-Rocker Cover
1023A	691558		Cover-Rocker
1023B	691494		Cover-Rocker
1026	691758		Rod-Push -(Exhaust)(Aluminum)
1026	691836		Rod-Push -(Intake)(Steel)
1029	807323		ARM, Rocker
1100	791959		PIVOT, Rocker Arm
1254	807084		Screw -(Rocker Arm Stud)

Cylinder, Crankshaft, Piston/Rings/Connecting Rod, Engine Sump, Camshaft, Breather

Mfg. No: 305777-0151-B1



1036 EMISSIONS LABEL

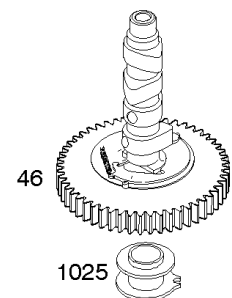
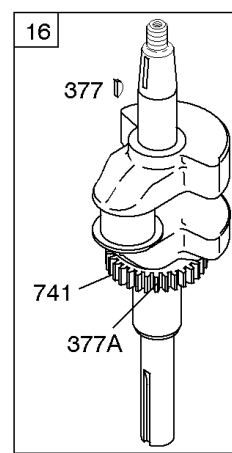
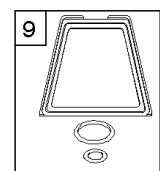
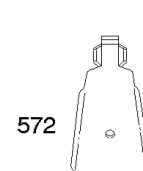
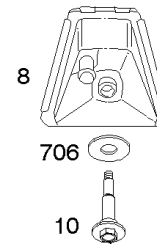
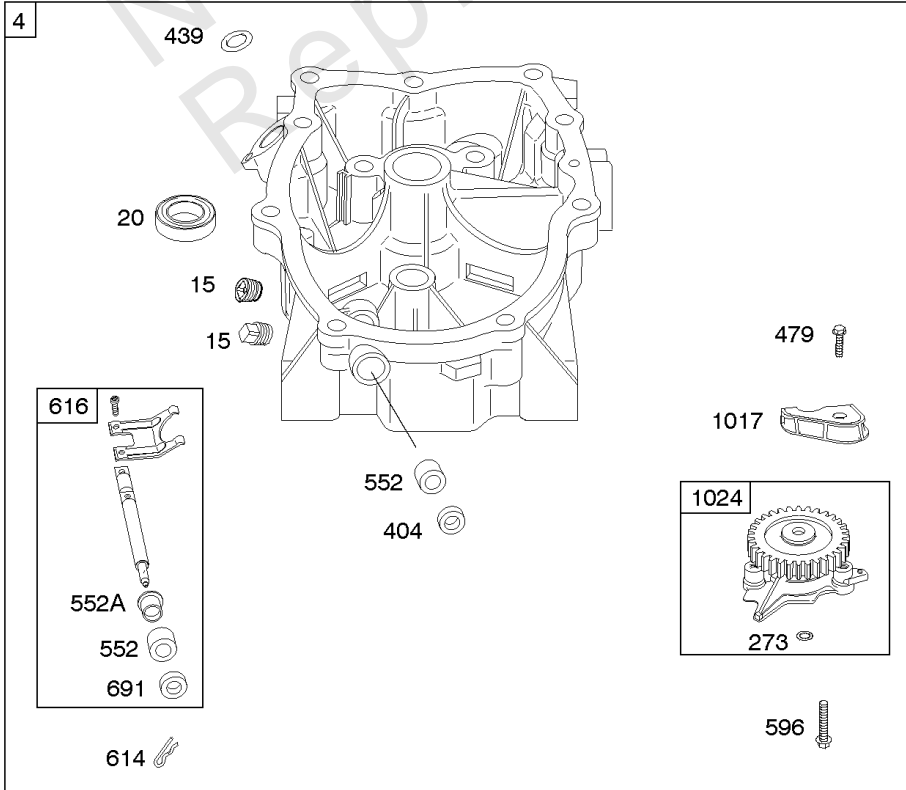
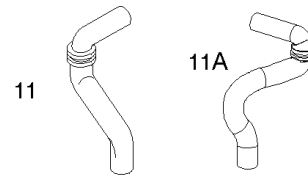
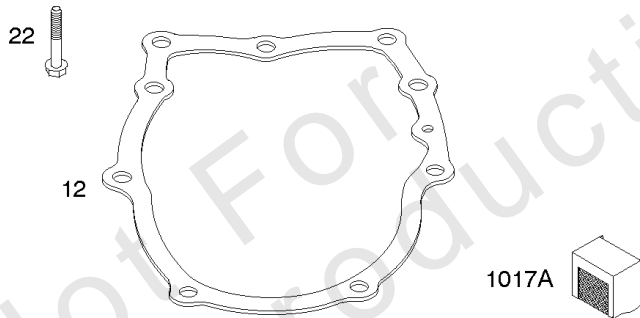
1330 REPAIR MANUAL

1319 WARNING LABEL

WARNING

- Read and follow Operating Instructions before running engine.
- Gasoline is flammable. Allow engine to cool at least 2 minutes before refueling.
- Engines emit carbon monoxide, **DO NOT** run in enclosed area.
- Muffler area temperature may exceed 150°F. Do not touch hot parts.

REQUIRED when replacing parts with warning labels affixed.

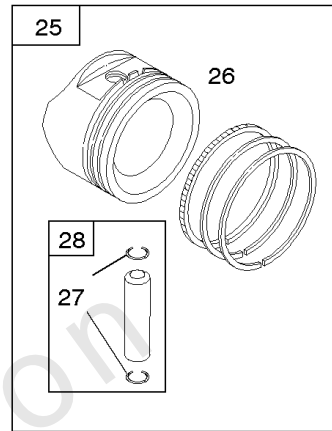
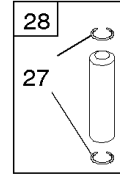
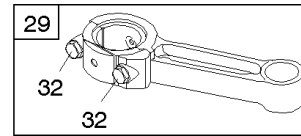
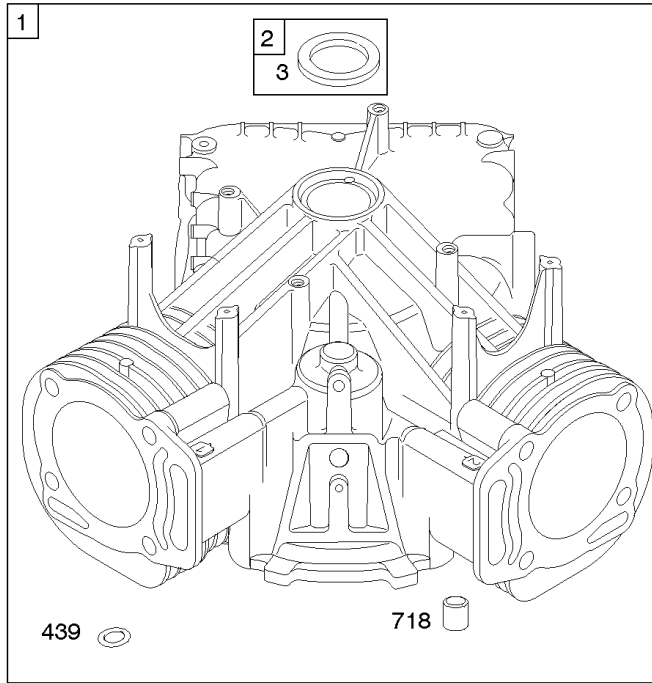


Cylinder, Crankshaft, Piston/Rings/Connecting Rod, Engine Sump, Camshaft, Breather

REF NO	PART NO	QTY	DESCRIPTION
1	692543		Cylinder Assembly
2	808534		Kit-Bushing/Seal -(Magneto Side)
3	805101S		Seal-Oil -(Magneto Side)
4	843954		Sump-Engine
8	808988		Breather Assembly
9	844986		Gasket-Breather
10	690751		Screw -(Breather Assembly)
11	806083S		Tube-Breather -Used Before Code Date 10010700
11A	844921		Tube-Breather -Used After Code Date 10010600
12	845254		Gasket-Crankcase -(Steel Core Gasket)
15	691680		Plug-Oil Drain -(3/8"-18 NPTF - Internal 3/8" Sq)
15	690946		PLUG, Oil Drain -(3/8"-18 NPTF-External 7/16" Sq)
16	692159		Crankshaft
20	805049S		Seal-Oil -(PTO Side)
22	807362		Screw -(Crankcase Cover/Sump)
25	843958		Piston Assembly -(.020" Oversize)
25	843951		Piston Assembly -(Standard)
26	843957		Ring Set -(.020" Oversize)
26	843953		Ring Set -(Standard)
27	690683		Lock-Piston Pin
28	844541		Pin-Piston -(2.118" Long) -Used After Code Date 07122300
28	807621		Pin-Piston -(2.007" Long) -Used Before Code Date 07122400
29	807900S		Rod-Connecting
32	690698		Screw -(Connecting Rod)
46	845649		Camshaft
273	690681		Seal-O Ring -(Oil Pump)
357	691483		KEY, Drive Pulley
377	808095		Key-Woodruff
377A	691639		KEY, Woodruff
404	690704		Washer -(Governor Crank) (Governor Shaft)
415	794903		PLUG
439	692154		O Ring-Oil Gallery -(Crankcase Cover/Sump or Cylinder Assembly)
479	843961		Screw -(Oil Pump Screen)
552	690701		Bushing-Governor Crank
552A	806686		Bushing-Governor Crank

Cylinder, Crankshaft, Piston/Rings/Connecting Rod, Engine Sump, Camshaft, Breather

Mfg. No: 305777-0151-B1



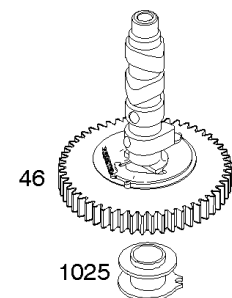
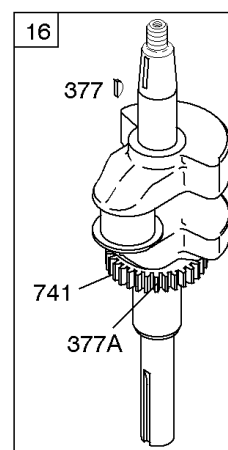
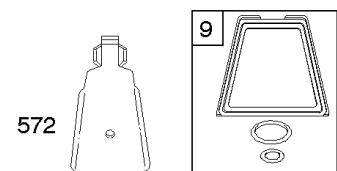
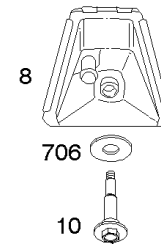
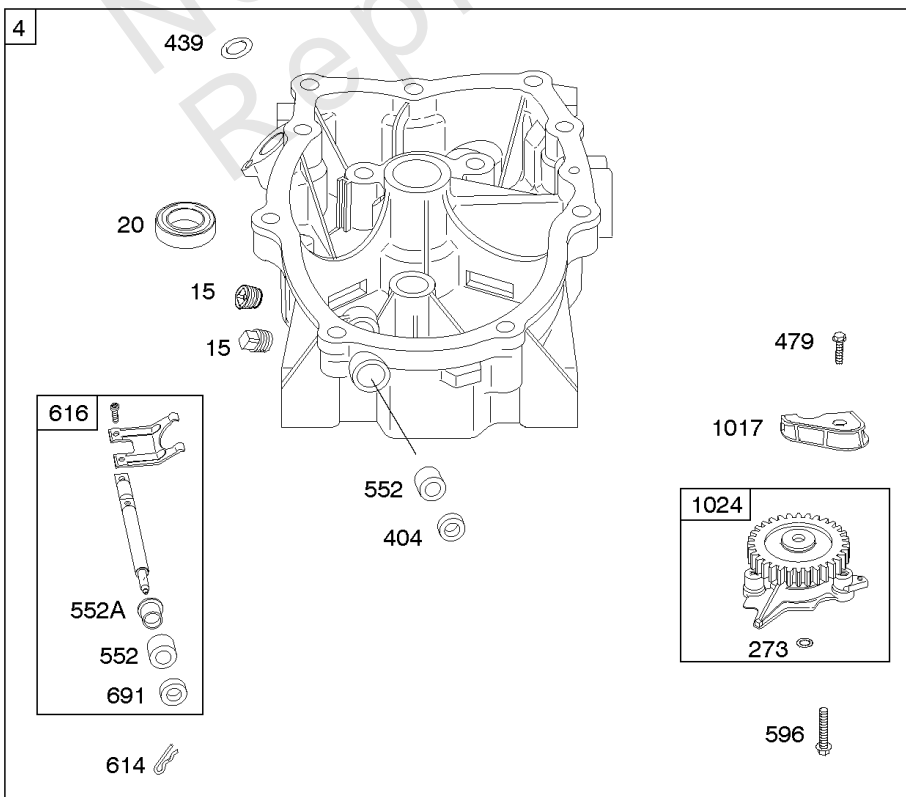
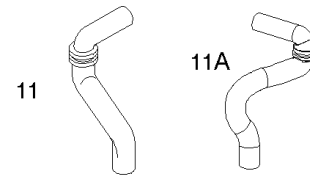
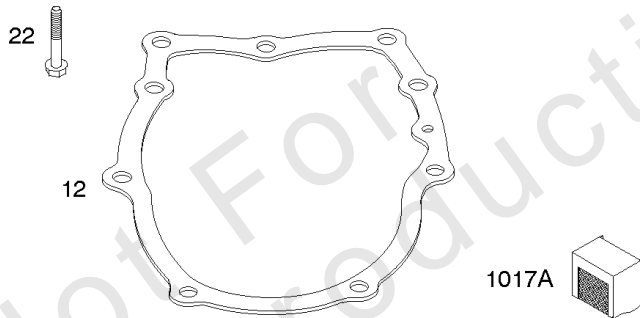
1036 EMISSIONS LABEL

1330 REPAIR MANUAL

1319 WARNING LABEL

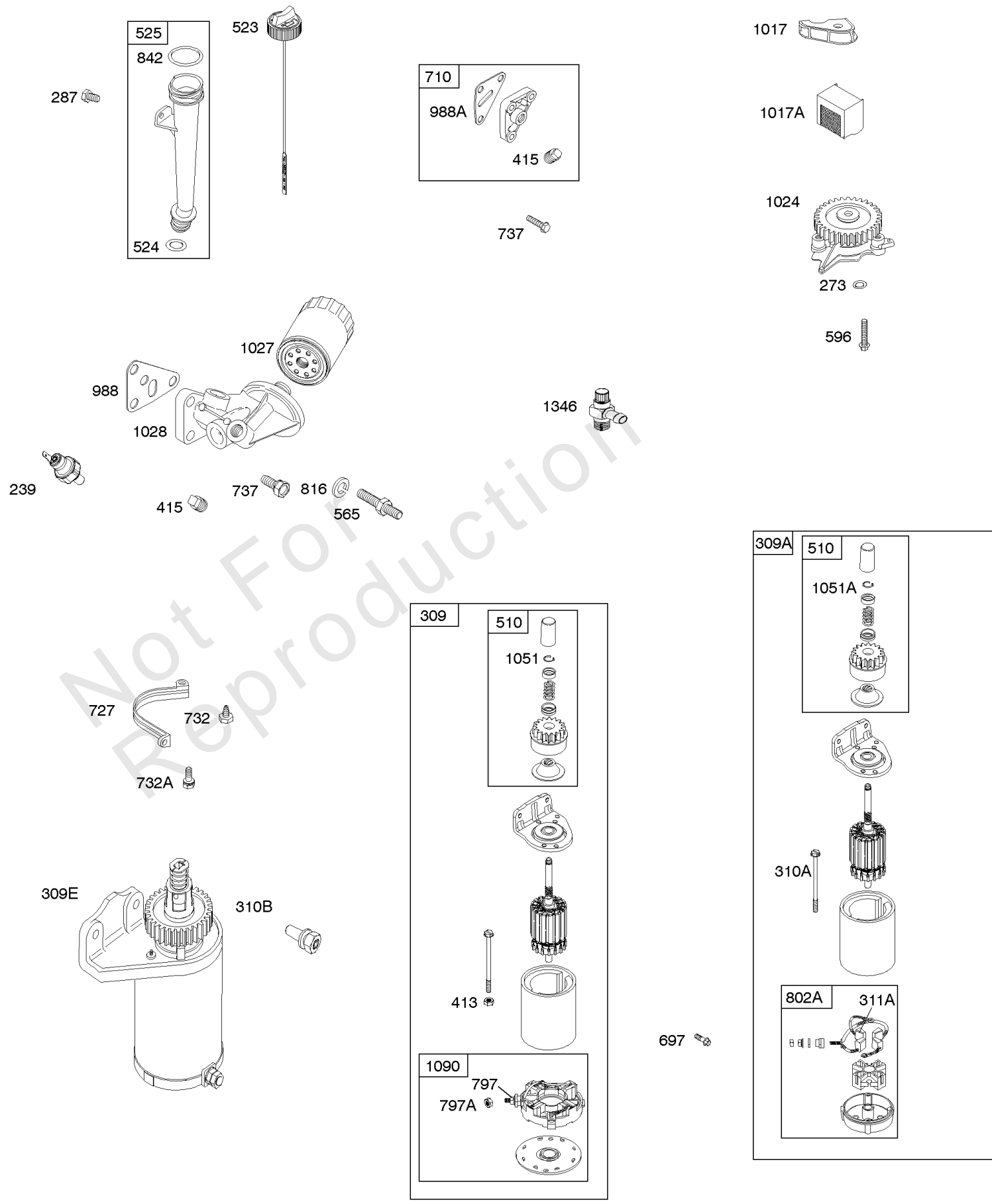
WARNING	
	Read and follow Operating Instructions before running engine.
	Gasoline is flammable. Allow engine to cool at least 2 minutes before refueling.
	Engines emit carbon monoxide, DO NOT run in enclosed area.
	Muffler area temperature may exceed 150°F. Do not touch hot parts.

REQUIRED when replacing parts with warning labels affixed.



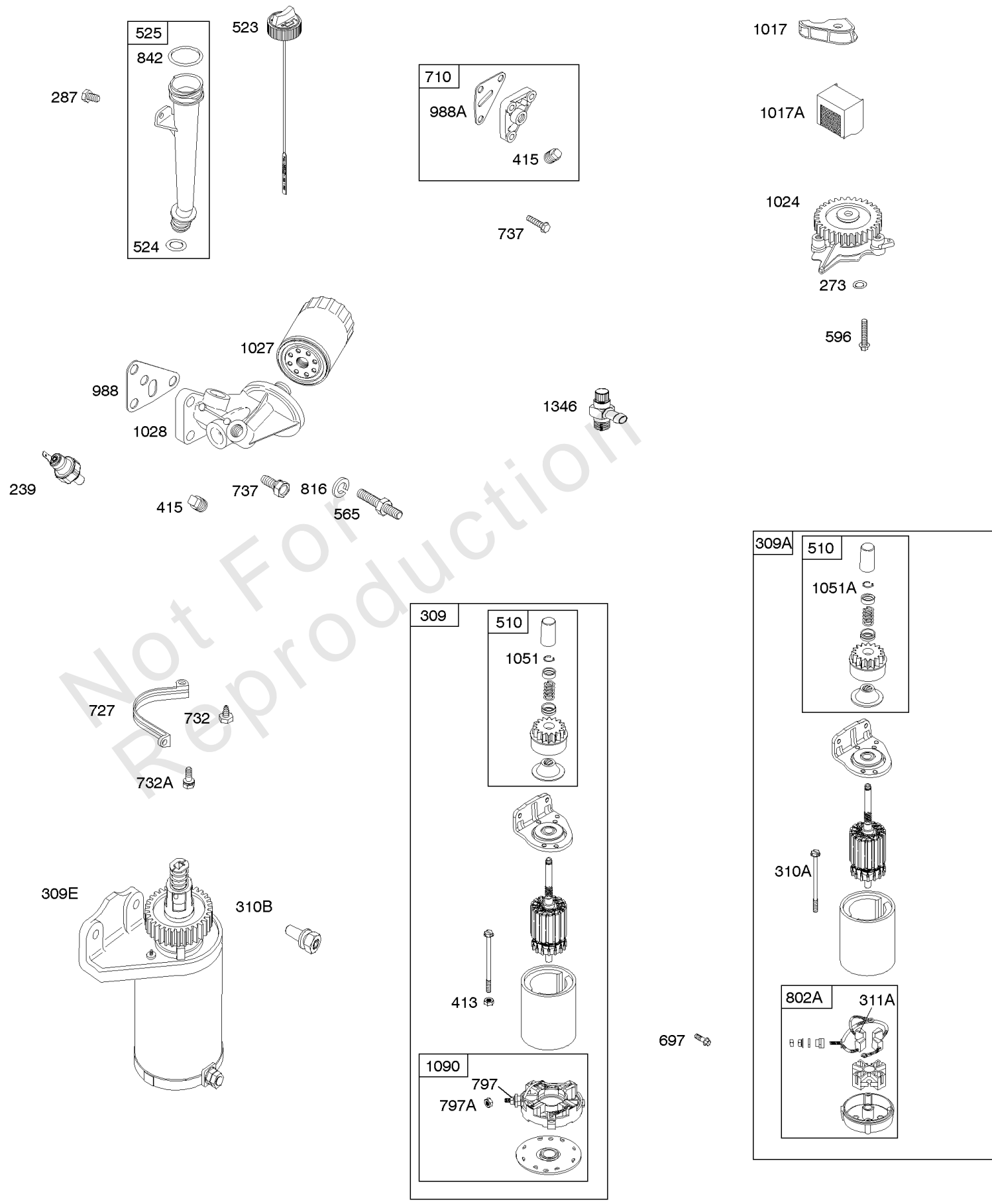
Cylinder, Crankshaft, Piston/Rings/Connecting Rod, Engine Sump, Camshaft, Breather

REF NO	PART NO	QTY	DESCRIPTION
572	690686		Baffle-Breather
596	691492		Screw -(Oil Pump) (M6x30mm) -Used Before Code Date 08022700
596	807389		Screw -(Oil Pump) (M6x45mm) -Used After Code Date 08022600
614	691550		Pin-Cotter
616	806685		Crank-Governor
691	842826		Seal-Governor Shaft
706	805484		Washer -(Breather Assembly)
718	806469		Pin-Locating
741	846085		Gear-Timing
1017	843960		Screen-Oil Pump -Used After Code Date 08022600
1017A	690878		Screen-Oil Pump -Used Before Code Date 08022700
1024			Pump-Oil -(NO LONGER AVAILABLE) -Used Before Code Date 08022700
1024	843959		Pump-Oil -Used After Code Date 08022600
1025	690689		Spool-Governor
1036			Label-Emissions -(Available From A Briggs & Stratton Authorized Dealer)
1319	794467		LABEL, Warning
1330	272144		Repair Manual



Lubrication, Oil Fill, Electric Starter

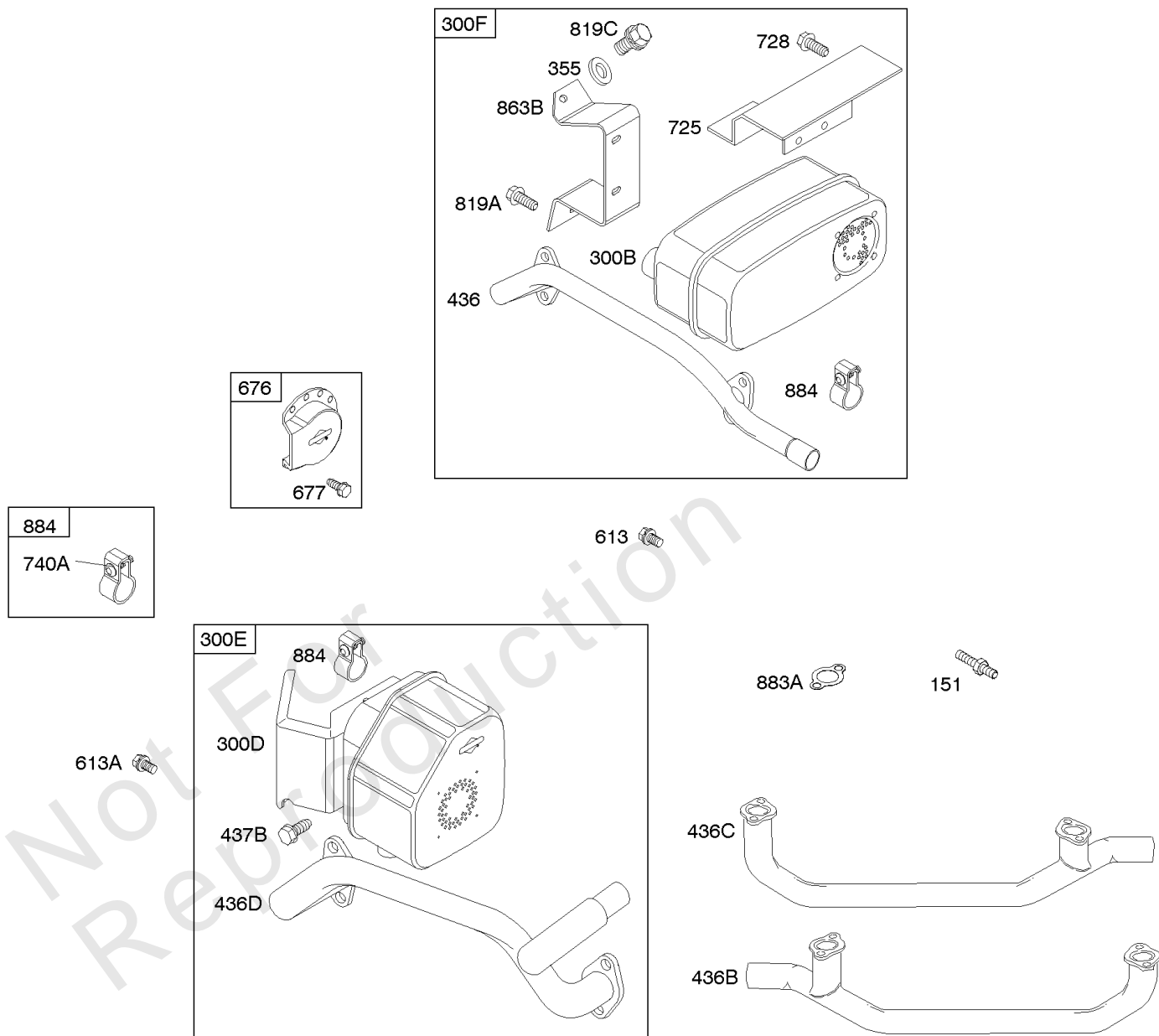
REF NO	PART NO	QTY	DESCRIPTION
239	690233		Switch-Oil Pressure
273	690681		Seal-O Ring -(Oil Pump)
287	807084		Screw -(Dipstick Tube)
309	846451		Motor-Starter
309A			Motor-Starter -(No Longer Available)(For Replacement, Order Replacement 309E)
309E	844717		Motor-Starter
310A	690323		BOLT -(Starter Motor) (#10-24x4.4" Long)
310B	691902		Screw -(Starter Motor) (M8x20mm)
311A	497608		Brush Set
413	693587		Nut -(Starter Motor)
415	794903		PLUG
510	496881		Drive-Starter -(Steel Pinion Gear)
523	692101		Dipstick
524	692053		Seal-Dipstick Tube
525	692093		Tube-Dipstick
565	690682		Stud -(Oil Filter Adapter)
596	691492		Screw -(Oil Pump) (M6x30mm) -Used Before Code Date 08022700
596	807389		Screw -(Oil Pump) (M6x45mm) -Used After Code Date 08022600
697	692062		Screw -(Starter Motor) (Drive Cap)
710	807689		Cover-Oil Filter
727	841313		Cover-Starter Drive
732	690688		Screw -(Starter Drive Cover) (Self Threading) (8mm)
732A	841233		Screw -(Starter Drive Cover) (M6x10mm)
737	690679		Screw -(Oil Filter Adapter) (M6x21mm)
797	693167		Nut -(Brush Retainer) (Serrated)
797A	691029		NUT -(Brush Retainer)
802A	691286		CAP, End
816	690706		Washer -(Oil Filter Adapter)
842	691870		Seal-O Ring -(Dipstick Tube)
988	692063		Gasket-Oil Adapter
988A	690687		Gasket-Oil Adapter
1017	843960		Screen-Oil Pump -Used After Code Date 08022600
1017A	690878		Screen-Oil Pump -Used Before Code Date 08022700
1024	843959		Pump-Oil -Used After Code Date 08022600
1024			Pump-Oil -(NO LONGER AVAILABLE) -Used Before Code Date 08022700



Lubrication, Oil Fill, Electric Starter

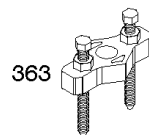
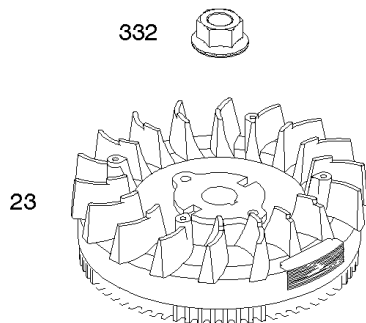
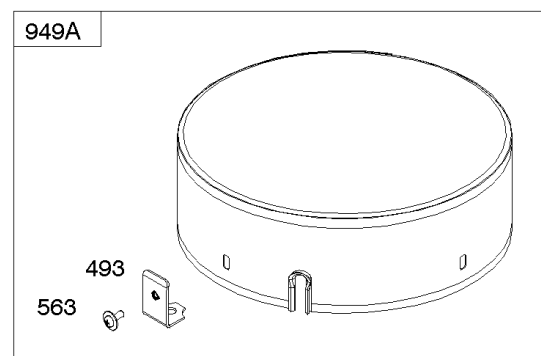
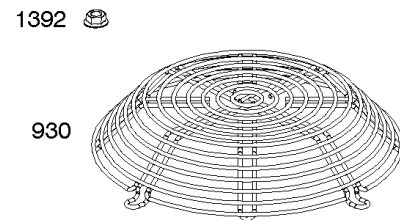
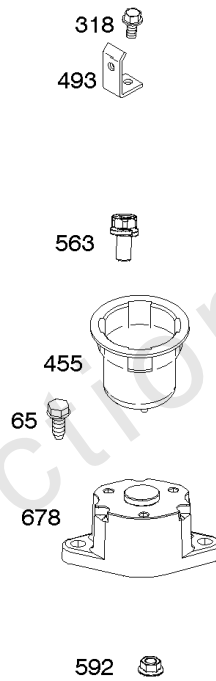
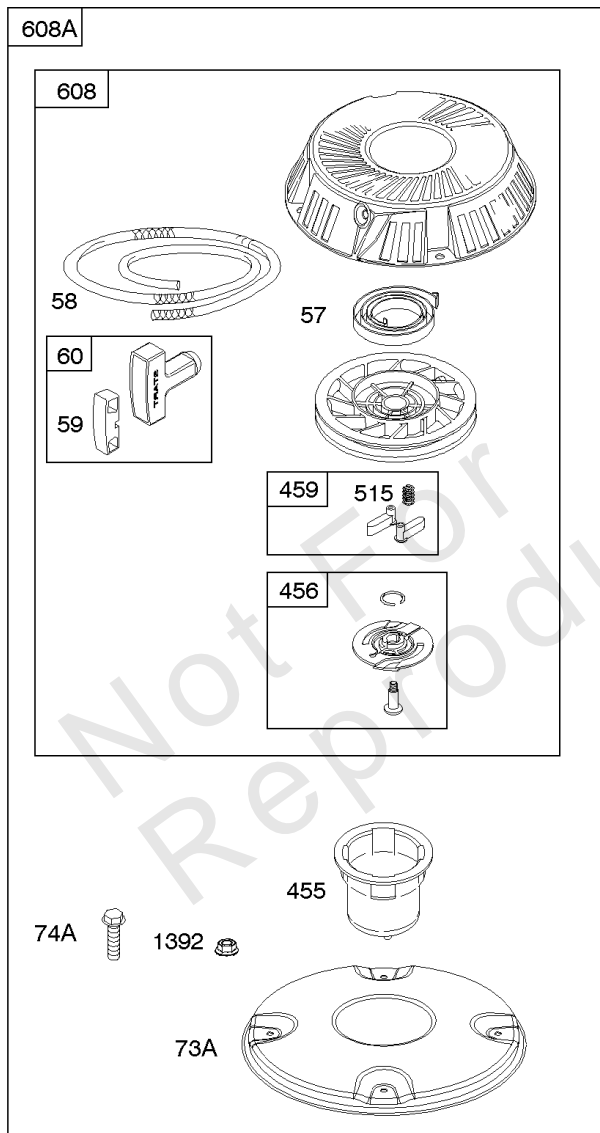
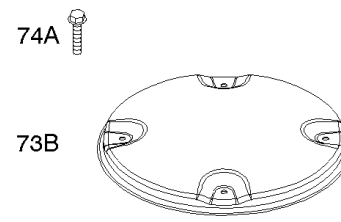
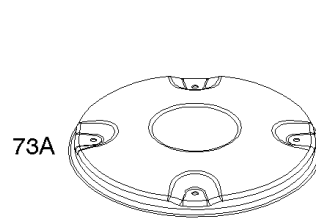
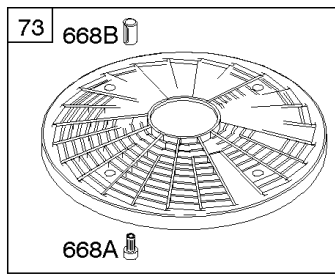
REF NO	PART NO	QTY	DESCRIPTION
1027	842921		Filter-Oil
1028	808235		Adapter-Oil Filter
1051	690736		Ring-Retaining -(Throttle Shaft)
1051A	691124		Ring-Retaining -(Starter Drive)
1090	496813		Retainer-Brush
1346	492031		Valve-Oil Drain Shut Off

Not For
Reproduction



Muffler, Exhaust Manifold

REF NO	PART NO	QTY	DESCRIPTION
151	841185		Stud -(Exhaust Manifold) (M8 Stud)
300B	498984S		Muffler
300F	807752		Muffler
300D	807953		Muffler
300E	807969		Muffler
355	842122		Washer -(Muffler Bracket)
436B	691502		Manifold-Exhaust
437B	692062		Screw -(Exhaust Manifold) (M8x18mm)
613	690297		Screw -(Muffler) (1/4-20 x 0.62" Long)
613A	691902		Screw -(Muffler) (M8x20mm)
676	795036		DEFLECTOR, Muffler
677	690661		SCREW -(Muffler Deflector) (#8-18 x 0.375 lg)
725	806102		Shield-Heat
728	690297		Screw -(Heat Shield)
740A	793859		Nut -(Muffler Bracket)
819A	692056		Screw -(Muffler Bracket) (M6x14mm)
819C	807084		Screw -(Muffler Bracket) (M8x14mm)
863B	806759		Bracket-Muffler
883A	691613		Gasket-Exhaust
884	691956		Clamp-Muffler



Rewind Starter, Flywheel, Rotating/Debris Screen

REF NO	PART NO	QTY	DESCRIPTION
23	841825		Flywheel
57	692086		Spring-Rewind Starter
58	66574		Rope-Starter -(Cut To Required Length)
59	805957		Insert-Grip
60	808167		Grip-Starter Rope
65	691982		Screw -(Rewind Starter) (M6x8mm)
65A	841441		Screw -(Rewind Starter) (M5x14mm)
73	494439		SCREEN, Rotating
73A	841662		Screen-Rotating
73B	841440		Screen-Rotating
74A	841441		Screw -(Rotating Screen)
318	841233		Screw -(Mounting Bracket)
332	690887		Nut -(Flywheel)
363	19203		PULLER, Flywheel
455	841794		Cup-Flywheel
456	845219		Plate-Pawl Friction
459	845218		Pawl-Ratchet
493	845729		Bracket-Mounting
515	691528		Spring-Pawl
563	841735		Screw -(Debris Screen Guard)
592	690939		NUT -(Rewind Starter)
608	841729		Starter-Rewind
608A	844821		Starter-Rewind
668A	691500		SPACER
668B	691215		SPACER
678	841730		Spacer-Rewind
930	846284		Guard-Rewind
949A	845728		Guard-Debris Screen
1392	690939		NUT -(Rewind Guard)

