



**305700**

# Illustrated Parts List

## Model Series

# 305700

### TYPE NUMBERS

0020, 0032, 0100, 0110, 0111, 0112, 0113, 0115,  
0116, 0117, 0118, 0120, 0121, 0122, 0123, 0125,  
0126, 0128, 0129, 0130, 0131, 0132, 0133, 0134,  
0135, 0136, 0137, 0138, 0139, 0140, 0142, 0149,  
1133, 1136, 1140, 3020, 3032.

Not for  
Reproduction



PRINTED IN U.S.A.

COPYRIGHT by BRIGGS & STRATTON CORPORATION  
All rights reserved. No part of this material may be reproduced or transmitted,  
in any form or by any means, electronic or mechanical, including photocopying,  
recording or by any information storage and retrieval system, without permission  
in writing from Briggs & Stratton Corporation.

# 305700

1058 OPERATOR'S MANUAL



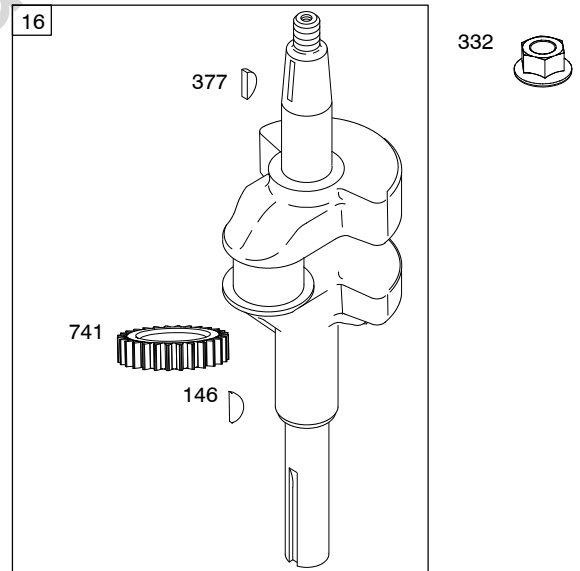
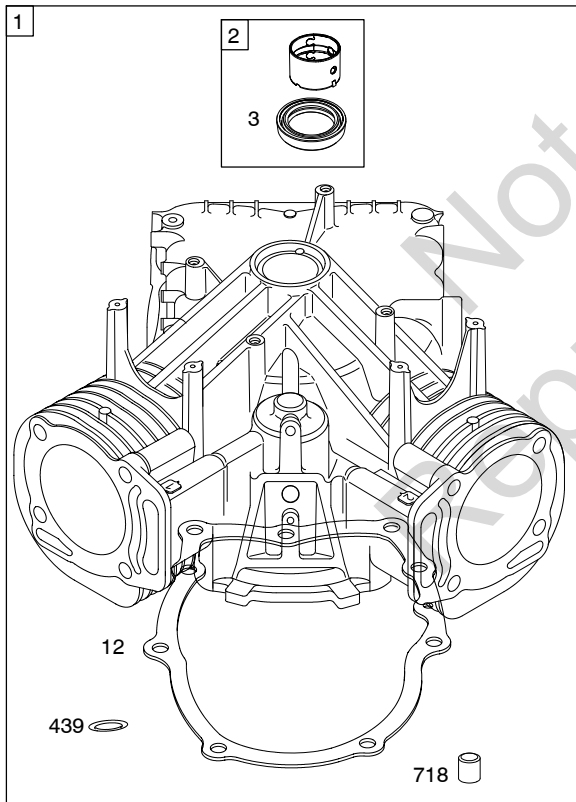
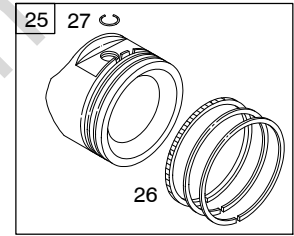
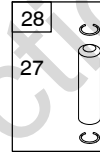
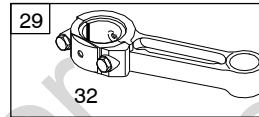
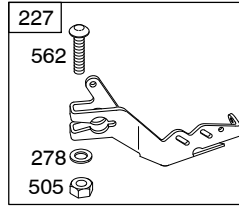
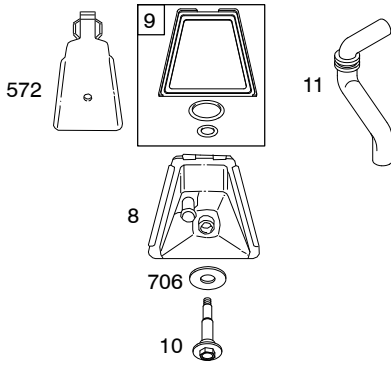
1330 REPAIR MANUAL

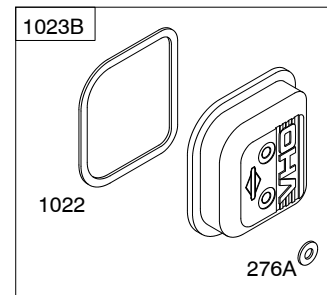
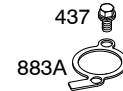
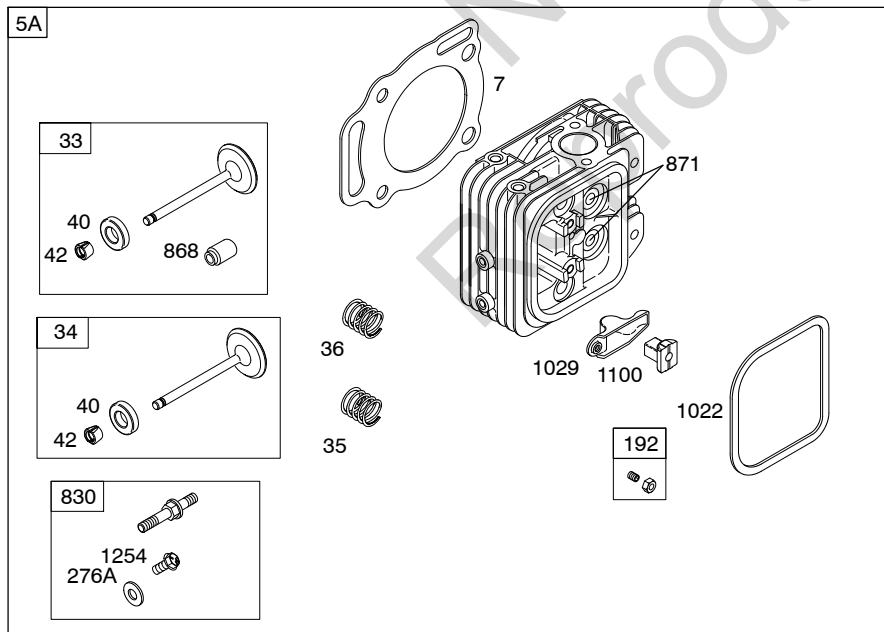
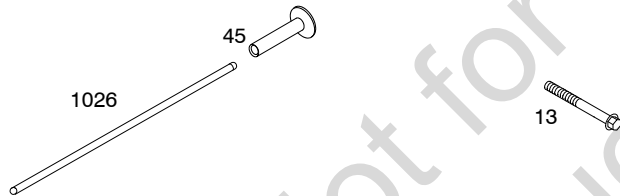
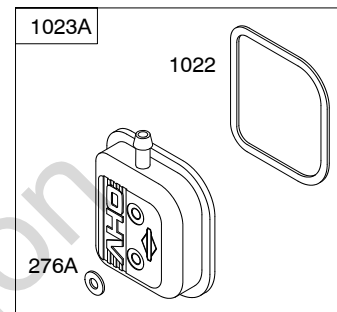
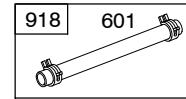
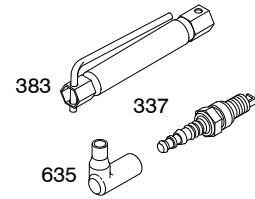
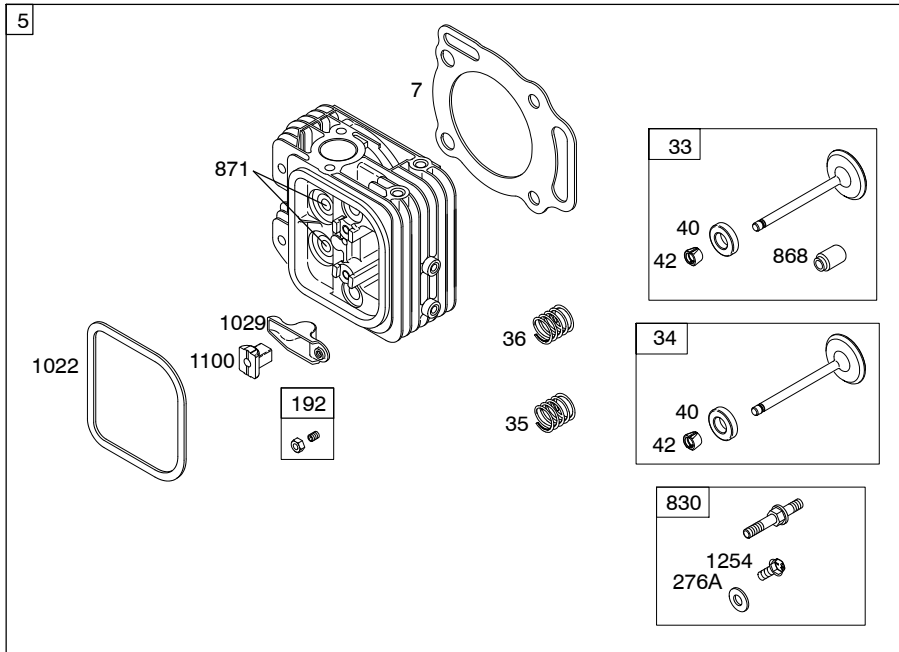


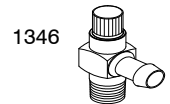
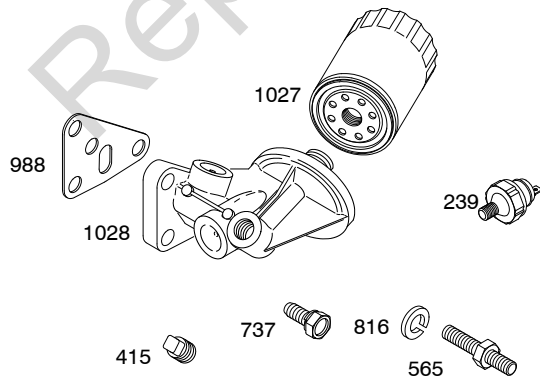
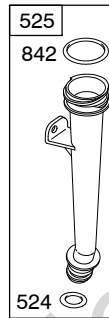
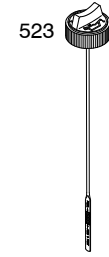
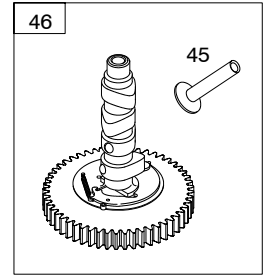
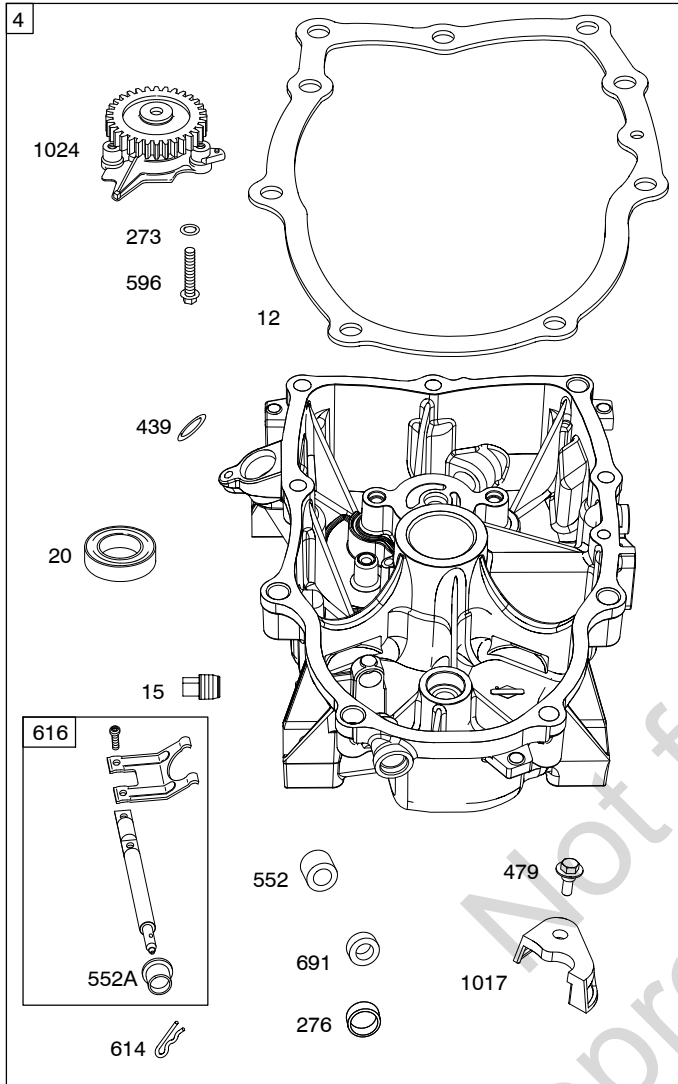
1319 WARNING LABEL

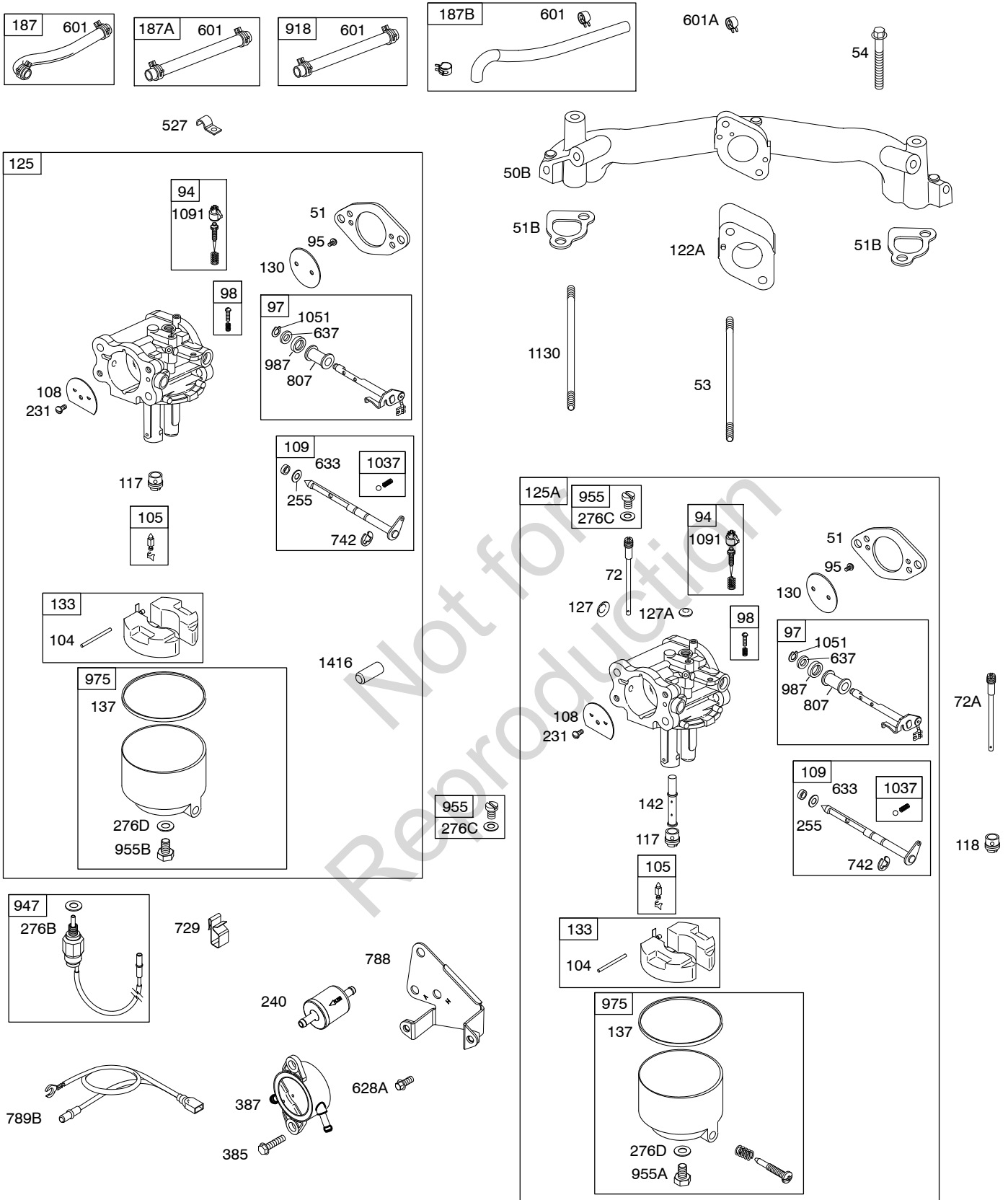


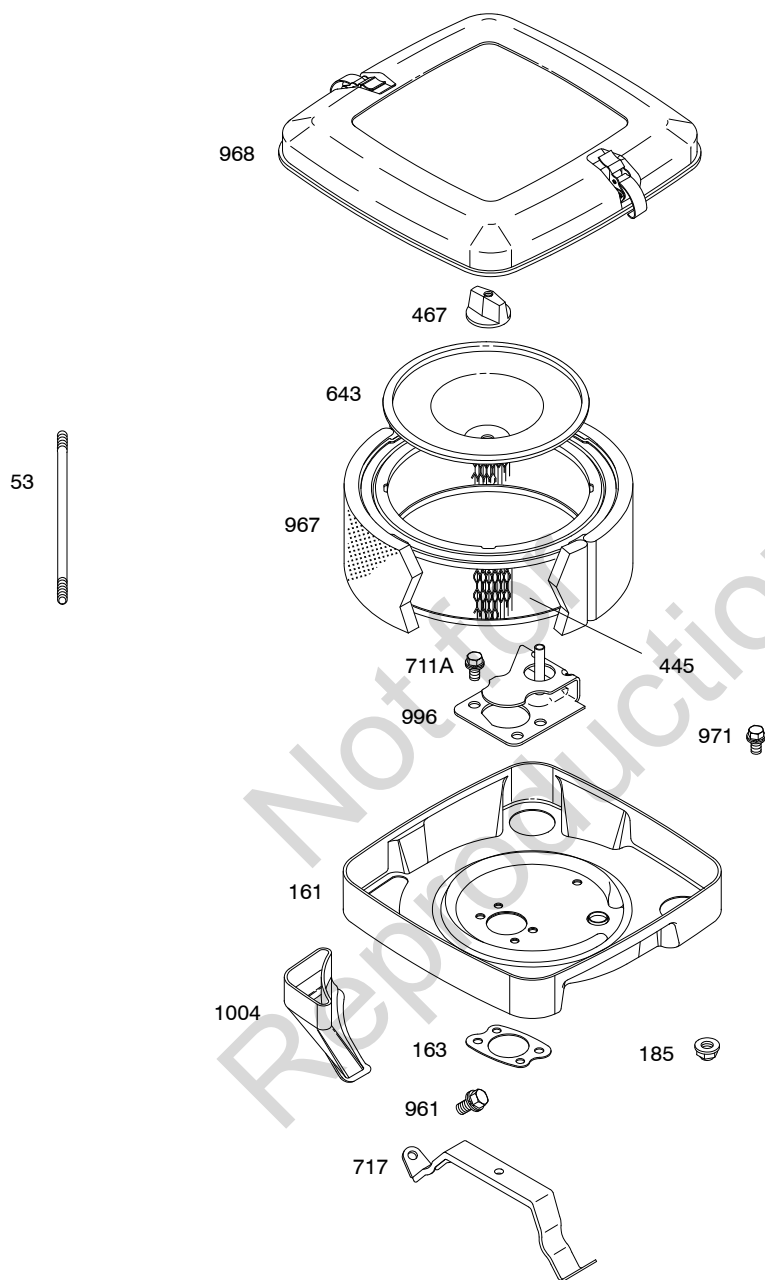
**REQUIRED** when replacing parts with warning labels affixed.

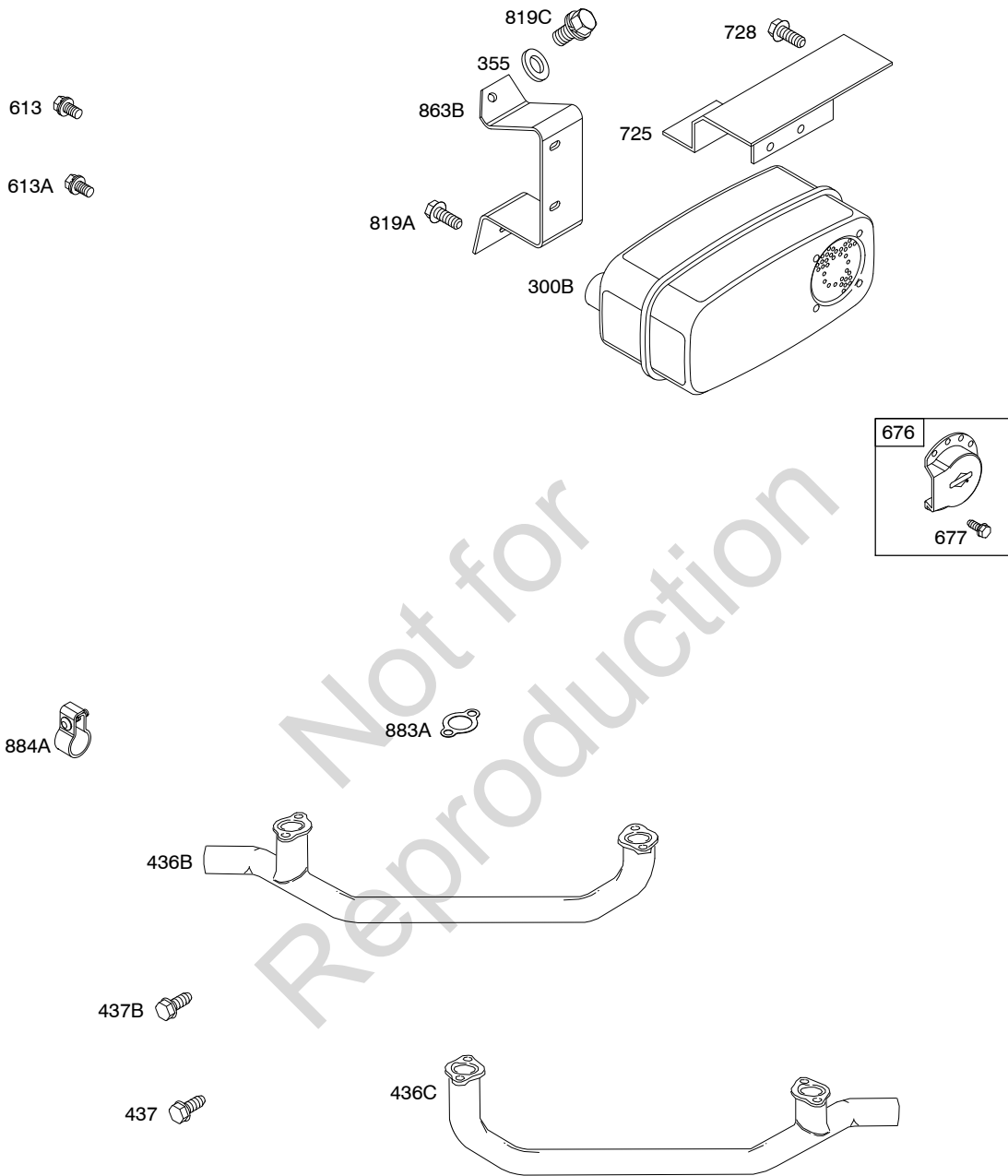








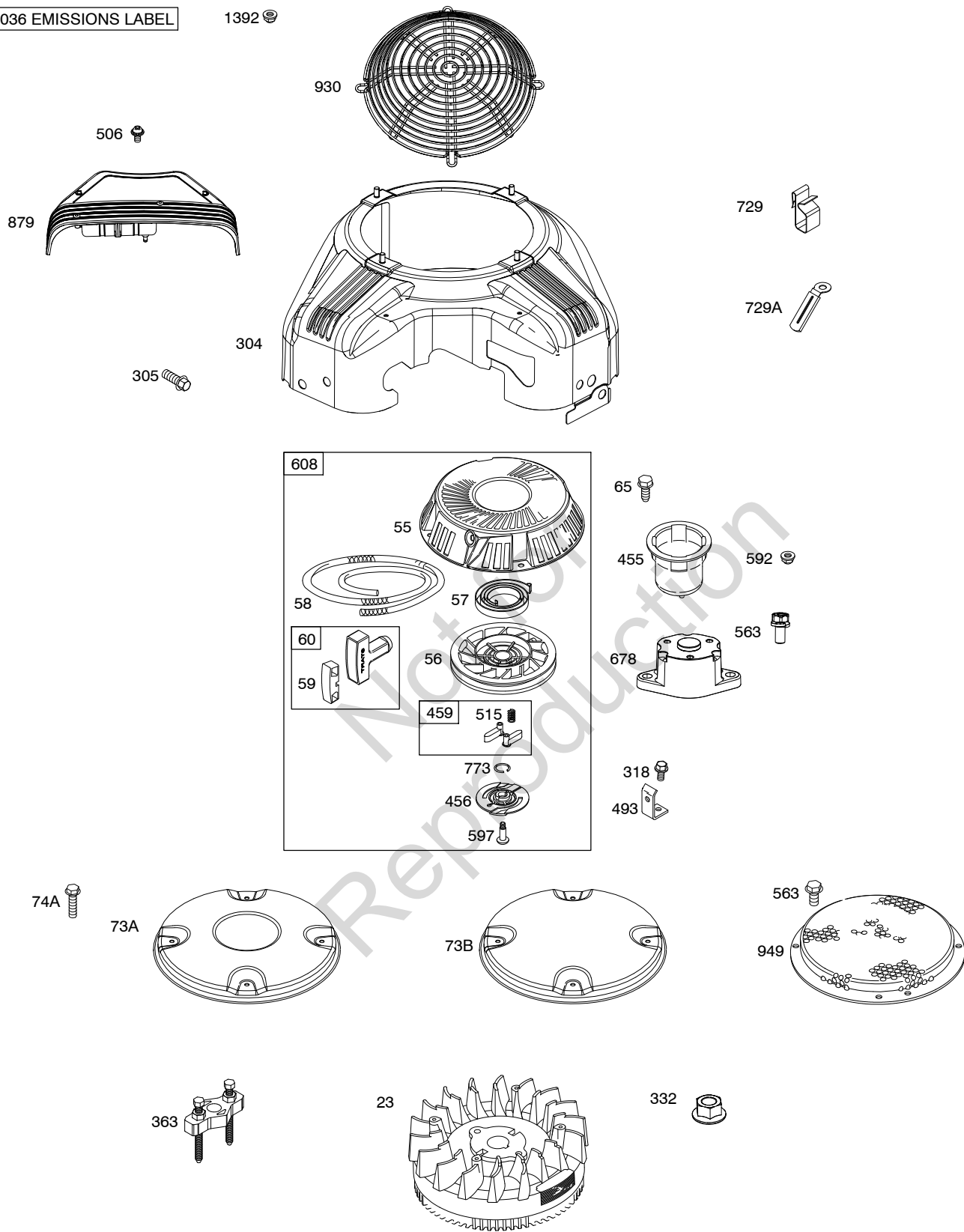




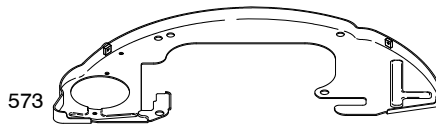
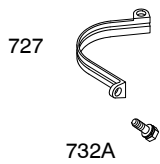
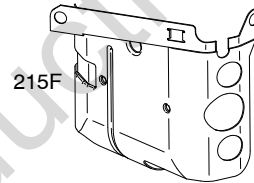
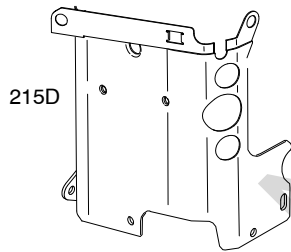
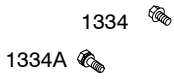
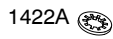
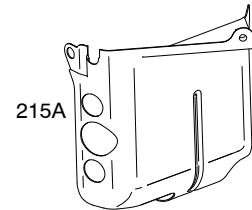
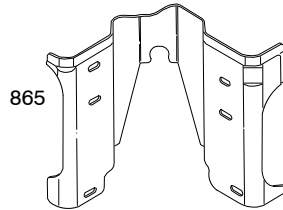
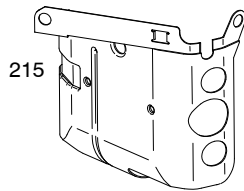
# 305700

1036 EMISSIONS LABEL

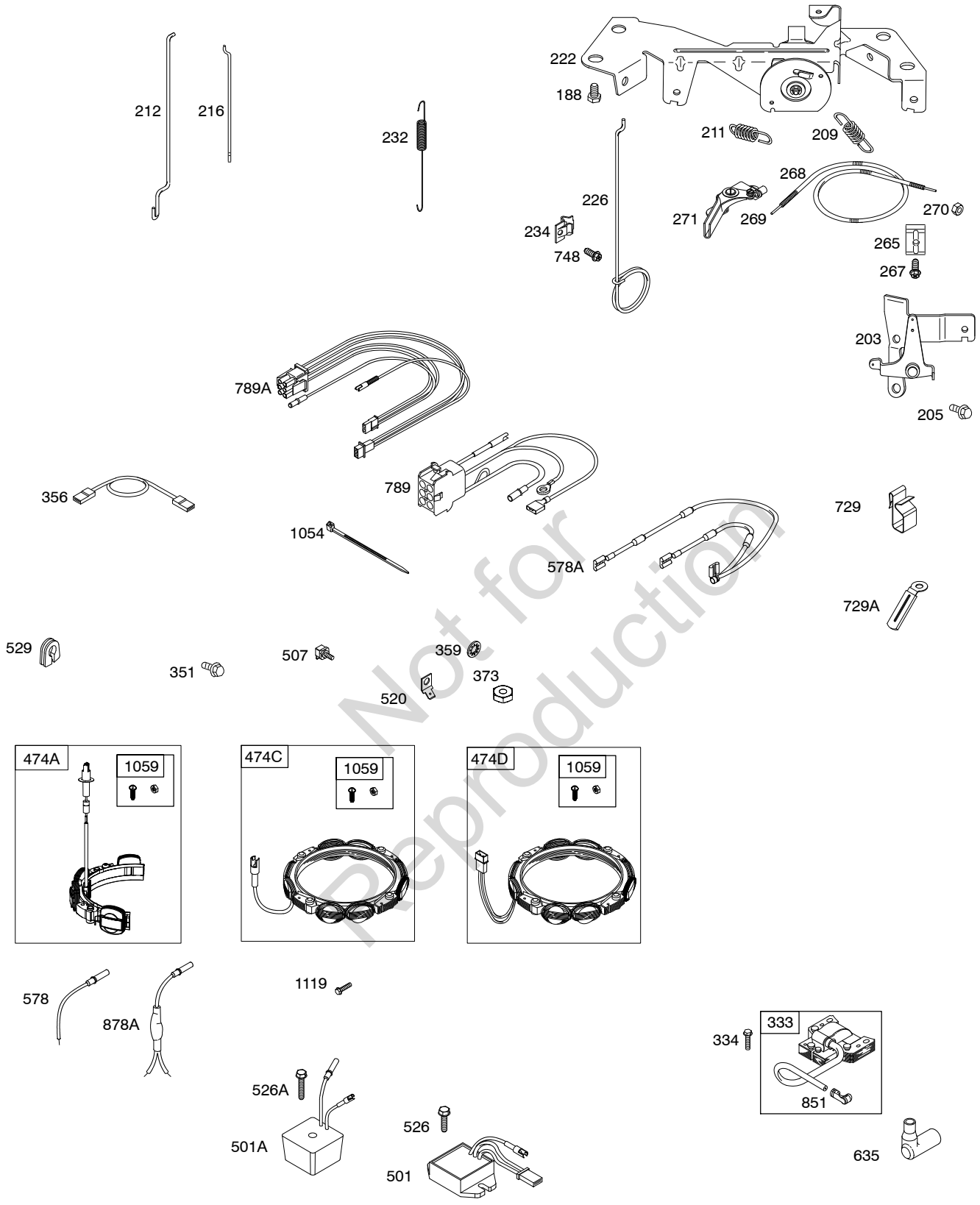
1392

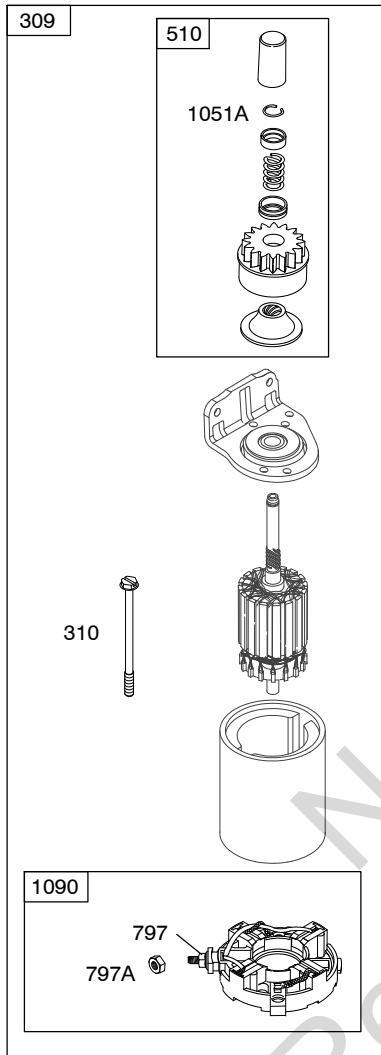




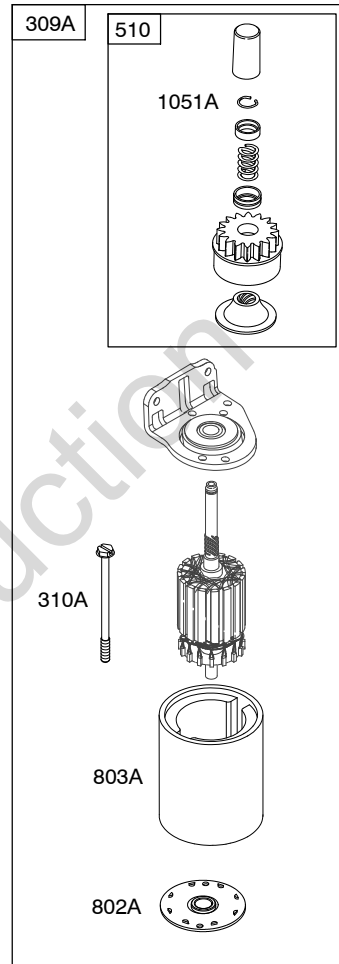


Not for  
Reproduction

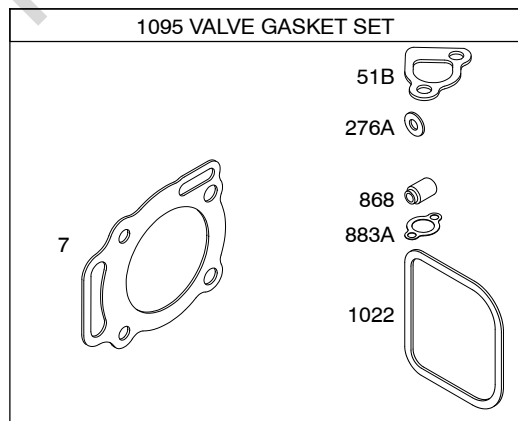
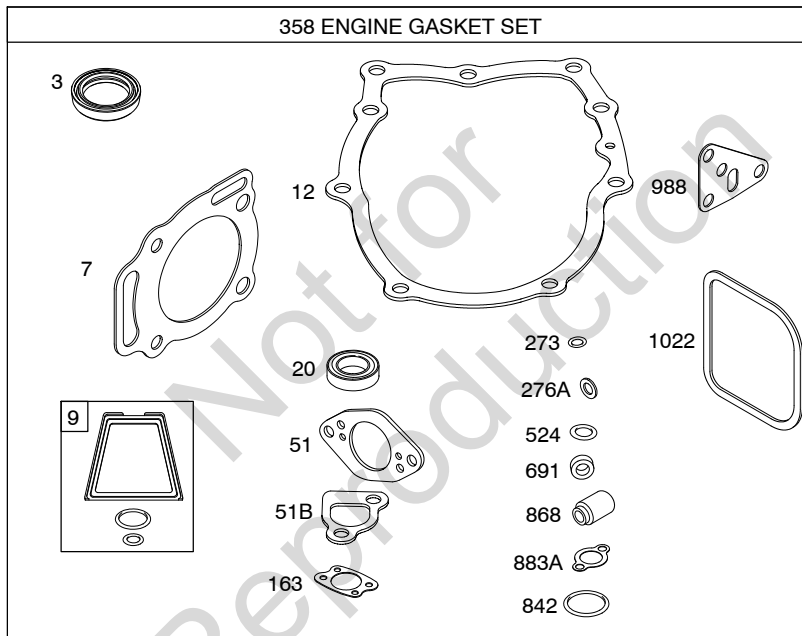
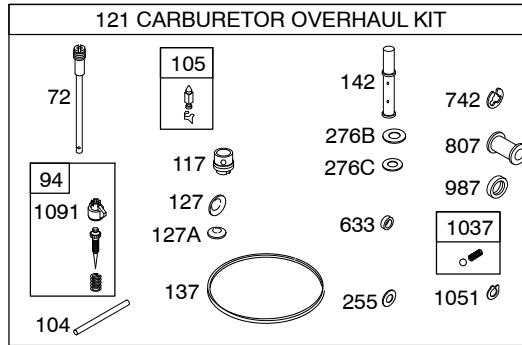




For Replacement Starter Order Reference 309.



Not for  
Reproduction



REF. NO.	PART NO.	DESCRIPTION	REF. NO.	PART NO.	DESCRIPTION	REF. NO.	PART NO.	DESCRIPTION
1	692543	Cylinder Assembly	25	843952	Piston Assembly (Standard)	37	841309	Guard-Flywheel
2	808534	Kit-Bushing/Seal (Magneto Side)			(Used After Code Date 07122200).	40	692058	Retainer-Valve
3	805101s	Seal-Oil (Magneto Side)			<b>843951</b> Piston Assembly (Standard)	42	807683	Keeper-Valve
4	843954	Sump-Engine			(Used Before Code Date 07122300).	45	843379	Tappet-Valve
5	809200	Head-Cylinder (Cylinder 1)			----- <b>Note</b> -----	46	691557	Camshaft
5A	809201	Head-Cylinder (Cylinder 2)			<b>843958</b> Piston Assembly (.020" Oversize)	50B	690754	Manifold-Intake
7	806085s	Gasket-Cylinder Head				51	691694	Gasket-Intake (Intake Manifold To Carburetor)
8	808988	Breather Assembly				51B	692035	Gasket-Intake (Intake Manifold to Cylinder Head)
9	844986	Gasket-Breather	26	843953	Ring Set (Standard)	53	690746	Stud (Carburetor)
10	690751	Screw (Breather Assembly)			(Used After Code Date 07122200).	54	690676	Screw (Intake Manifold)
11	844921	Tube-Breather (Used After Code Date 10010600).			----- <b>Note</b> -----	55	691568	Housing-Rewind Starter
		----- <b>Note</b> -----			<b>843957</b> Ring Set (.020" Oversize)	56	692085	Pulley-Starter
		<b>806083s</b> Tube-Breather (Used Before Code Date 10010700).	27	690683	Lock-Piston Pin	57	692086	Spring-Rewind Starter
12	842589	Gasket-Crankcase	28	844541	Pin-Piston (Used After Code Date 07122300).	58	66574	Rope-Starter (Cut To Required Length)
13	692059	Screw (Cylinder Head)			----- <b>Note</b> -----	59	805957	Insert-Grip
15	690946	Plug-Oil Drain			<b>807621</b> Pin-Piston (Used Before Code Date 07122400).	60	808167	Grip-Starter Rope
16	692159	Crankshaft				65	691982	Screw (Rewind Starter) (M6x8mm)
20	805049s	Seal-Oil (PTO Side)	29	807900s	Rod-Connecting			----- <b>Note</b> -----
22	807362	Screw (Crankcase Cover/Sump)	32	690698	Screw (Connecting Rod)			<b>841441</b> Screw (Rewind Starter) (M5x14mm)
23	841825	Flywheel	33	807681	Valve-Exhaust	72	806488	Tube-Jet (Standard)
		----- <b>Note</b> -----	34	807680	Valve-Intake	72A	694069	Tube-Jet (High Altitude)
		<b>841657</b> Flywheel Used on Type No(s). 0110, 0116, 0117, 0118, 0129, 0133, 0134, 0136.	35	692084	Spring-Valve (Intake)			
		<b>841908</b> Flywheel Used on Type No(s). 0020, 0125, 0131, 0142, 3020.	36	692084	Spring-Valve (Exhaust)			
		<b>842683</b> Flywheel Used on Type No(s). 0128.						

Engine Gasket Set-Reference 358  
Carburetor Overhaul Kit-Reference 121

Valve Gasket Set-Reference 1095

# 305700

REF. NO.	PART NO.	DESCRIPTION	REF. NO.	PART NO.	DESCRIPTION	REF. NO.	PART NO.	DESCRIPTION
73A	841662	Screen-Rotating	108	844903	Valve-Choke (Used After Code Date 10010600).	125A	808728	Carburetor (Used Before Code Date 10010700).
73B	841440	Screen-Rotating						Used on Type No(s). 0020, 0110, 0120, 0125, 0131, 0134, 0135, 0136, 0137, 0140, 0142.
74A	841441	Screw (Rotating Screen)			----- Note ----- 690729 Valve-Choke (Used Before Code Date 10010700).	127	690730	Plug-Welch (Used Before Code Date 10010700).
78	690688	Screw (Flywheel Guard)	109	844913	Shaft-Choke (Used After Code Date 10010600).	127A	690731	Plug-Welch (Used Before Code Date 10010700).
94	844912	Kit-Idle Mixture (Used After Code Date 10010600). ----- Note ----- 842888 Kit-Idle Mixture (Used After Code Date 06122400 and Before Code Date 10010700). 808258 Kit-Idle Mixture (Used Before Code Date 06122500).	117	844910	Jet-Main (Used After Code Date 10010600). (Standard) ----- Note ----- 806487 Jet-Maing (Standard) (Used Before Code Date 10010700).	130	690732	Valve-Throttle
95	690718	Screw (Throttle Valve)				133	844905	Float-Carburetor (Used After Code Date 10010600). ----- Note ----- 807710 Float-Carburetor (Used Before Code Date 10010700).
97	844917	Shaft-Throttle (Used After Code Date 10010600). ----- Note ----- 808323 Shaft-Throttle (Used Before Code Date 10010700).	118	806634	Jet-Main (High Altitude) (Used Before Code Date 10010700).	137	844908	Gasket-Float Bowl (Used After Code Date 10010600). ----- Note ----- 806481 Gasket-Float Bowl (Used Before Code Date 10010700).
98	807705	Kit-Idle Speed	121	842891	Kit-Carburetor Overhaul			
104	844906	Pin-Float Hinge (Used After Code Date 10010600). ----- Note ----- 690739 Pin-Float Hinge (Used Before Code Date 10010700).	122A	690753	Spacer-Carburetor			
105	844907	Valve-Float Needle (Used After Code Date 10010600). ----- Note ----- 807706 Valve-Float Needle (Used Before Code Date 10010700).	125	844918	Carburetor (Used After Code Date 10010600). Used on Type No(s). 0020, 0110, 0120, 0125, 0131, 0134, 0135, 0136, 0137, 0140, 0142, 0149, 1136, 1140, 3020.	142	806635	Nozzle-Carburetor (Used Before Code Date 10010700).

Engine Gasket Set-Reference 358  
Carburetor Overhaul Kit-Reference 121

Valve Gasket Set-Reference 1095

REF. NO.	PART NO.	DESCRIPTION	REF. NO.	PART NO.	DESCRIPTION	REF. NO.	PART NO.	DESCRIPTION
146	691639	Key-Timing	209	692070	Spring-Governor (Red)	265	691024	Clamp-Casing
161	691561	Base-Air Cleaner			----- Note -----	267	692083	Screw (Casing Clamp) (M5x12mm)
163	692081	Gasket-Air Cleaner			692071 Spring-Governor (White)			----- Note -----
185	690939	Nut (Air Cleaner Base)			Used on Type No(s). 0032, 0113, 0120, 0121, 0130, 0132, 0133, 0137, 0139, 0140, 1133, 1140, 3032.			841552 Screw (Casing Clamp) (M5x20mm)
187	791801	Line-Fuel (Formed) (7.33 Inches Long) (Cut to Required Length)			692072 Spring-Governor (Purple)	268	691025	Casing-Control Wire (Cut To Required Length)
187A	791745	Line-Fuel (23 Inches Long) (Cut to Required Length)			Used on Type No(s). 0115, 0116, 0122, 0123, 0138.	269	691026	Wire-Control (Cut To Required Length)
		----- Note -----			690710 Spring-Governor (No Color)	270	691027	Nut (Control Wire Casing)
		791766 Line-Fuel (15 Inches Long) (Cut to Required Length)			Used on Type No(s). 0126, 0131.	271	691028	Lever-Control
187B	842447	Line-Fuel (Formed) (8.75 Inches Long) (Cut to Required Length)			691508 Spring-Governor (Blue)	273	690681	O-Ring (Oil Pump)
188	692056	Screw (Control Bracket)			Used on Type No(s). 0111.	276	690704	Washer-Sealing (Governor Shaft)
192	807623	Adjuster-Rocker Arm	211	692069	Spring-Governed Idle (Red)	276A	807085	Washer-Sealing (Rocker Cover)
197	807163	Screw (Back Plate)	212	690712	Link-Throttle	276B	806476	Washer-Sealing (Carburetor)
203	690923	Crank-Bell	215	841232	Guide-Air (Cylinder 1)	276C	806477	Washer-Sealing (Carburetor)
205	692083	Screw (Bell Crank)	215A	841316	Guide-Air (Cylinder 2)	276D	692343	Washer-Sealing
					Used on Type No(s). 0115, 0123, 0128.	278	842122	Washer (Governor Control Lever)
			215D	841317	Guide-Air (Cylinder 1)	287	807084	Screw (Dipstick Tube)
					Used on Type No(s). 0115, 0123, 0128.	300B	498984s	Muffler (Used on Type No(s). 0116, 0117, 0118, 0139.)
			215F	841182	Guide-Air (Cylinder 2)	304	842681	Housing-Blower
					Link-Choke	305	692056	Screw (Blower Housing)
			216	690705	Link-Choke	309	691564	Motor-Starter
			222	808454	Bracket-Control	309A		Motor-Starter (For Replacement Starter Motor, See Reference 309)
			226	692075	Rod-Hand Choke	310	496880	Screw (Starter Motor) (1/4-20x4.26 Inches)
			227	690236	Lever-Governor Control	310A	690323	Screw (Starter Motor) (#10-24x4.4 Inches)
			231	690718	Screw (Choke Valve)	318	841233	Screw (Mounting Bracket)
			232	692073	Spring-Governor Link	332	690887	Nut (Flywheel)
			234	691723	Clip-Control Rod			
			239	690233	Switch-Oil Pressure (Used on Type No(s). 0113, 0126, 0131.)			
			240	691035	Filter-Fuel			
			255	690737	Bushing-Choke Shaft			

Engine Gasket Set-Reference 358  
Carburetor Overhaul Kit-Reference 121

Valve Gasket Set-Reference 1095

# 305700

REF. NO.	PART NO.	DESCRIPTION	REF. NO.	PART NO.	DESCRIPTION	REF. NO.	PART NO.	DESCRIPTION
333	844548	Armature-Magneto	445	394018s	Filter-Air Cleaner Cartridge	526A	690717	Screw (Regulator) (M6x30mm)
334	692066	Screw (Magneto Armature)			----- Note -----	527	690423	Clamp-Tube
337	491055s	Plug-Spark			841359 Filter-Air Cleaner Cartridge Used on Type No(s). 0128.	529	690744	Grommet
		----- Note -----				552	690701	Bushing-Governor Crank
		792015 Plug-Spark Used on Type No(s). 0020, 0032, 0111, 0112, 0113, 0115, 0116, 0117, 0118, 0122, 0123, 0125, 0130, 0131, 0132, 0137, 0138, 0139, 0140, 1140, 3032.	447	807163	Screw (Air Guide Cover)	552A	806686	Bushing-Governor Crank
349	690238	Nut (Cylinder Head Cover)	455	841794	Cup-Flywheel	562	690239	Bolt (Governor Control Lever)
351	692083	Screw (Ground Terminal)	456	691529	Plate-Pawl Friction	563	841735	Screw (Debris Screen Guard)
355	842122	Washer (Muffler Bracket)	459	808166	Pawl-Ratchet	565	690682	Stud (Oil Filter Adapter)
356	807063	Wire-Stop	467	844618	Knob-Air Cleaner (Used After Code Date 10033100).	572	690686	Baffle-Breather
357	691483	Key-Drive Pulley			----- Note -----	573	841310	Plate-Back
358	841188	Gasket Set-Engine			691985 Knob-Air Cleaner (Used Before Code Date 10040100).	578	692306	Wire Assembly
359	691077	Washer (Ground Terminal)	474A	696578	Alternator Used on Type No(s). 0116, 0117.	578A	844547	Wire Assembly
363	19203	Puller-Flywheel	474C	696457	Alternator Used on Type No(s). 0110, 0118, 0133, 0134, 0136, 0139, 0149, 1133.	592	690939	Nut (Rewind Starter)
373	691612	Nut (Ground Terminal)	474D	696458	Alternator	596	807389	Screw (Oil Pump) (M6x45mm) (Used After Code Date 08022600).
377	808095	Key-Woodruff	479	843961	Screw (Oil Pump Screen)			----- Note -----
383	19576s	Wrench-Spark Plug	493	691503	Bracket-Mounting			691492 Screw (Oil Pump) (M6x30mm) (Used Before Code Date 08022700).
385	807084	Screw (Fuel Pump)	501	797375	Regulator	597	690876	Screw (Pawl Friction Plate)
387	808656	Pump-Fuel	501A	794360	Regulator	601	791850	Clamp-Hose (Green)
415	794903	Plug	505	690238	Nut (Governor Control Lever)	601A	691038	Clamp-Hose (Black)
436B	691502	Manifold-Exhaust Used on Type No(s). 0116, 0117, 0128, 0139.	506	807120	Screw (Carburetor Cover)	608	841729	Starter-Rewind
436C	691501	Manifold-Exhaust Used on Type No(s). 0115.	507	691972	Insulator	613	690297	Screw (Muffler) (1/4-20x.62)
437	691902	Screw (Exhaust Manifold) (M8x20mm)	510	496881	Drive-Starter	613A	691902	Screw (Muffler) (M8x20mm)
437B	692062	Screw (Exhaust Manifold) (M8x18mm)	515	691528	Spring-Pawl			
439	692154	Seal-O Ring (Crankcase Cover/Sump)	520	691084	Terminal-Ground			
			523	692101	Dipstick			
			524	692053	Seal-Dipstick Tube			
			525	692093	Tube-Dipstick			
			526	692067	Screw (Regulator) (M6x12mm)			

Engine Gasket Set-Reference 358  
Carburetor Overhaul Kit-Reference 121

Valve Gasket Set-Reference 1095



REF. NO.	PART NO.	DESCRIPTION	REF. NO.	PART NO.	DESCRIPTION	REF. NO.	PART NO.	DESCRIPTION
614	691550	Pin-Cotter	802A	691286	Cap-End	955B	844916	Plug-Carburetor
616	806685	Crank-Governor	803A	693547	Housing-Starter			(Used After Code Date
628A	806660	Screw	807	690733	Spacer-Throttle			10010600).
		(Fuel Pump Bracket)	816	690706	Washer			Used on Type No(s).
633	690738	Seal-			(Oil Filter Adapter)			0020, 0110, 0120,
		Choke/Throttle Shaft	819A	692056	Screw			0125, 0131, 0134,
		(Choke Shaft)			(Muffler Bracket)			0135, 0136, 0137,
635	692076	Boot-Spark Plug	819C	807084	Screw			0140, 0142, 0149,
637	690735	Washer			(Muffler Bracket)	961	807084	1136, 1140, 3020.
		(Throttle Shaft)			(M8x14mm)			Screw
643	692079	Retainer-Air Filter	830	809157	Stud-Rocker Arm			(Air Cleaner Bracket)
676	795036	Deflector-Muffler	842	691870	Seal O-Ring	967	272490s	Filter-Pre Cleaner
677	690661	Screw			(Dipstick Tube)	968	699959	Cover-Air Cleaner
		(Muffler Deflector)	851	493880s	Terminal-Spark Plug	971	807084	Screw
678	841730	Spacer-Rewind	863B	806759	Bracket-Muffler			(Air Cleaner Base
691	842826	Seal-Governor Shaft	865	843768	Cover-Air Guide			to Carburetor)
697	692062	Screw			(Used After Code Date	975	844909	Bowl-Float
		(Drive Cap)			07021300).			(Used After Code Date
706	805484	Washer			----- Note -----			10010600).
		(Breather Assembly)			807119 Cover-			----- Note -----
711A	807084	Screw			Air Guide			807715 Bowl-Float
		(Carburetor Shield)			(Used Before Code	975	807715	Bowl-Float
717	692542	Bracket-Air Cleaner			Date 07021400).	987	691548	Seal-Throttle Shaft
718	806469	Pin-Locating	868	691963	Seal-Valve	988	692063	Gasket-Oil Adapter
725	806102	Shield-Heat	871	692057	Bushing-Valve Guide	996	691577	Shield-Carburetor
727	841313	Cover-Starter Drive	878A	691237	Harness-Alternator	1004	841656	Duct-Air
728	690297	Screw	879	841861	Cover-Carburetor	1017	843960	Screen-Oil Pump
		(Heat Shield)	883A	691613	Gasket-Exhaust			(Used After Code Date
729	690586	Clip-Wire	884A	690898	Clamp-Muffler			080222600).
729A	805965	Clip-Wire			Used on Type No(s).	1017A	690878	Screen-Oil Pump
732	690688	Screw			0116, 0131, 0139.			(Used Before Code
		(Starter Drive Cover)	918	791880	Hose-Vacuum			Date 08022700).
		(Self Threading)			(Cut To	1022	806039s	Gasket-Rocker Cover
		(8mm)			Required Length)	1023A	691558	Cover-Rocker
732A	841233	Screw	930	841490	Guard-Rewind			(Cylinder 1)
		(Starter Drive Cover)	947	806472	Solenoid-Fuel	1023B	691494	Cover-Rocker
		(M6x10mm)			(Used Before Code			(Cylinder 2)
737	690679	Screw			Date 10010700).	1024	843959	Pump-Oil
		(Oil Filter Adapter)	949	690475	Guard-Debris Screen			(Used After Code Date
741	691530	Gear-Timing	955	807714	Plug-Carburetor			08022700).
742	805578	Retainer-E Ring	955A	691511	Plug-Carburetor			----- Note -----
748	692083	Screw			Used on Type No(s).			<b>No Longer Available</b>
		(Control Rod Clip)			0020, 0110, 0120,			(Used Before Code
773	690875	Retainer			0125, 0131, 0134,			Date 08022700).
788	691559	Bracket-Fuel Pump			0135, 0136, 0137,			
789	698332	Harness-Wiring			0140.			
789A	695050	Harness-Wiring						
797	693167	Nut						
		(Brush Retainer)						
		(Serrated)						
797A	691029	Nut						
		(Brush Retainer)						

Engine Gasket Set-Reference 358  
Carburetor Overhaul Kit-Reference 121

Valve Gasket Set-Reference 1095

# 305700

REF. NO.	PART NO.	DESCRIPTION	REF. NO.	PART NO.	DESCRIPTION	REF. NO.	PART NO.	DESCRIPTION
1025	690689	Spool-Governor	1051A	691124	Ring-Retaining (Starter Drive)	1330	272144	Repair Manual
1026	691836	Rod-Push (Intake) (Steel)	1054	280275	Tie-Cable	1334	841233	Screw (Air Guide) (M6x10mm)
		----- Note -----	1058	279765WST	Operator's Manual	1334A	692067	Screw (Air Guide) (M6x12mm)
		691758 Rod-Push (Exhaust) (Aluminum)	1059	698516	Kit-Screw/Washer (Alternator)	1392	690939	Nut (Rewind Guard)
1027	842921	Filter-Oil	1090	496813	Retainer-Brush	1416	809640	Cap-Carburetor (Used After Code Date 10010600).
1028	808235	Adapter-Oil Filter	1091	691515	Cap-Limiter	1422	691551	Washer (Air Guide) (Internal Tooth)
1029	807323	Arm-Rocker	1095	842723	Gasket Set-Valve	1422A	690706	Washer (Air Guide) (Lockwasher)
1036		Label-Emissions (Available from a Briggs & Stratton Authorized Dealer)	1100	791959	Pivot-Rocker Arm			
1037	807717	Ball-Choke Locator	1119	691552	Screw (Alternator)			
1051	690736	Ring-Retaining (Throttle Shaft)	1130	690746	Stud (Intake Manifold)			
			1254	807084	Screw (Rocker Cover Stud)			
			1319	794467	Label-Warning			

Not for  
Reproduction

Engine Gasket Set-Reference 358  
Carburetor Overhaul Kit-Reference 121

Valve Gasket Set-Reference 1095

Not for  
Reproduction

Not for  
Reproduction

