



# Parts Manual

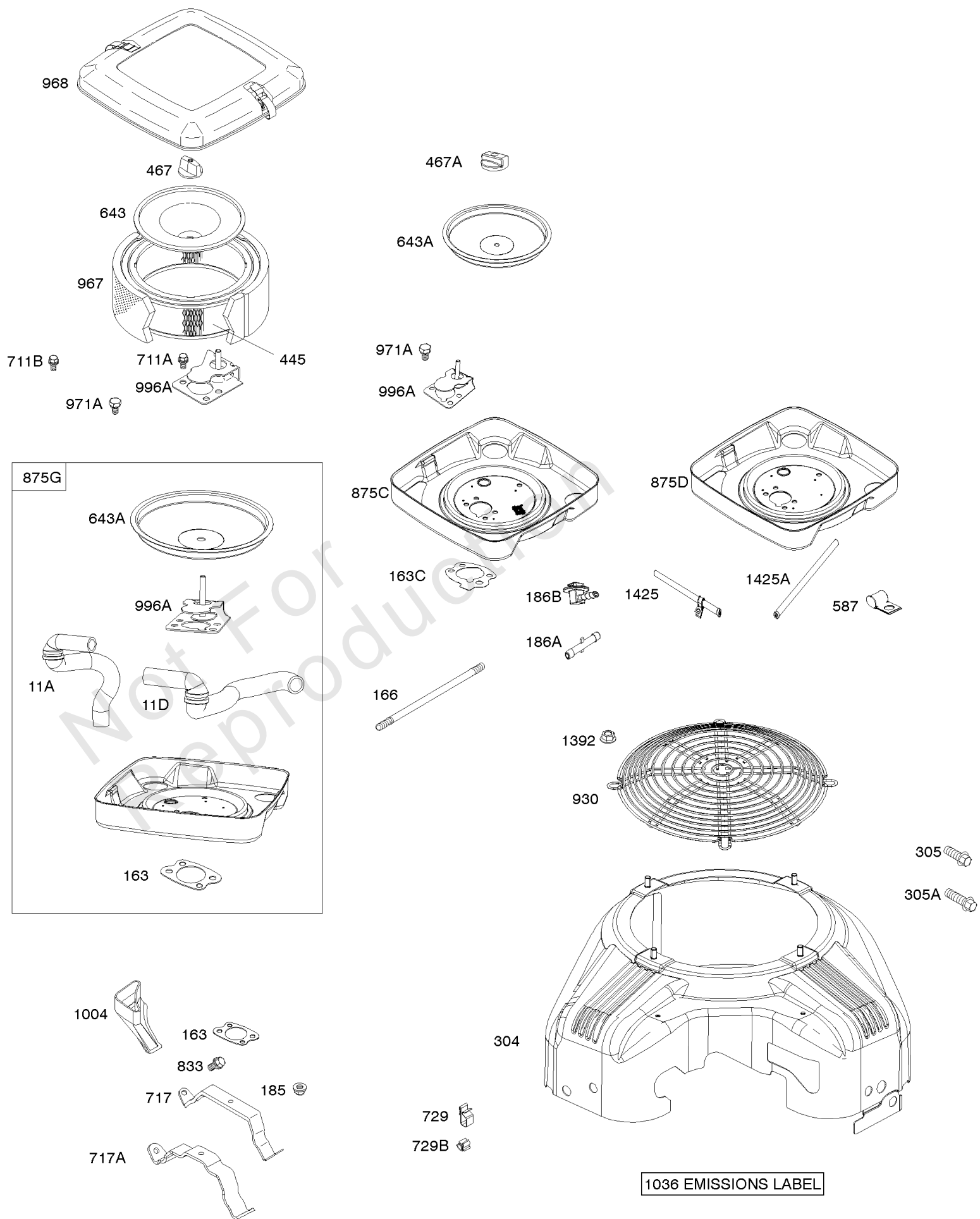
Mfg. No: 356777-0139-B1



---


<b>Model Components</b>	<b>Page</b>
Air Cleaner, Blower Housing.....	4
Alternator, Ignition, Wire Assemblies.....	6
Camshaft, Crankshaft, Intake Manifold.....	8
Carburetor (Nikki), Fuel Supply.....	10
Carburetor (Ruixing).....	14
Controls and Governor Springs.....	16
Crankcase Cover/Sump & Gasket, Cylinder, Piston/Rings/Connecting Rod, Crankshaft.....	18
Cylinder Head, Valve Cover.....	22
Electric Starter.....	24
Engine, Carburetor and Valve Gasket Kits.....	26
Flywheel, Rotating Screen, Rewind Starter, Debris Guard.....	30
Lubrication, Oil Fill, Oil Cooler.....	32
Muffler, Exhaust Manifold.....	34
Shrouds, Air Guide, Carburetor Cover.....	36

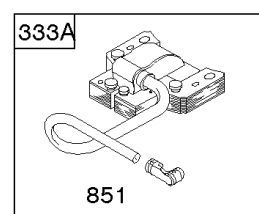
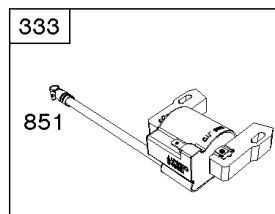
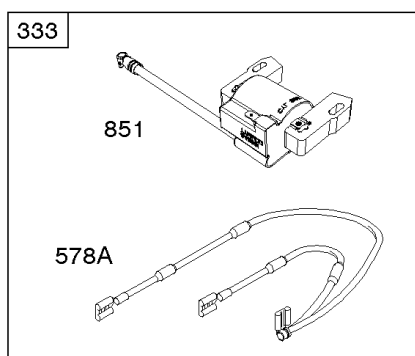
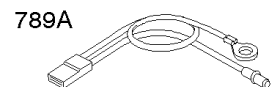
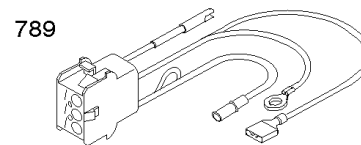
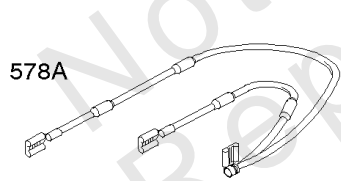
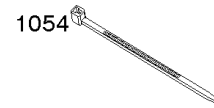
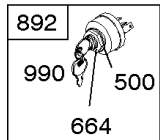
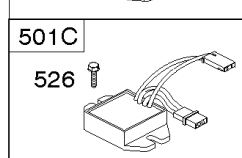
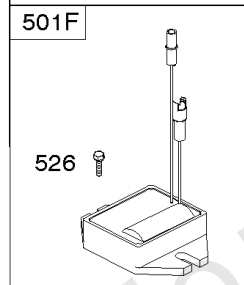
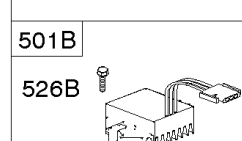
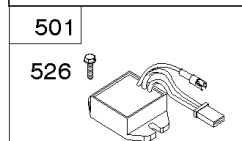
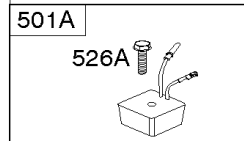
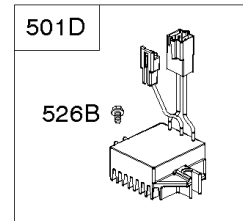
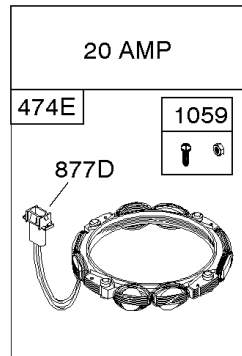
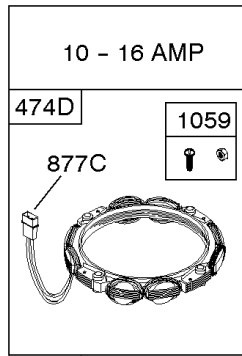
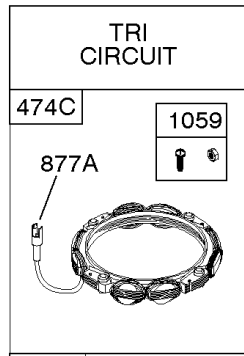
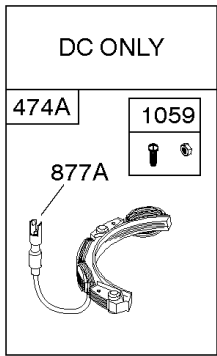
Not For  
Reproduction



## Air Cleaner, Blower Housing

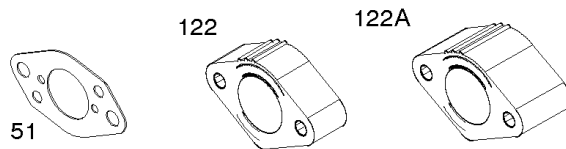
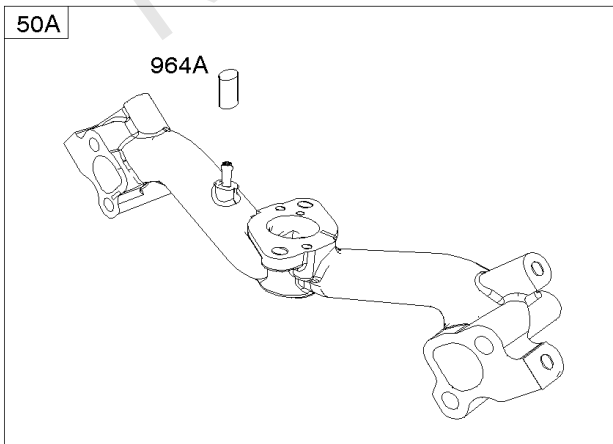
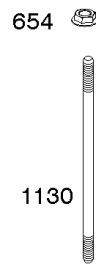
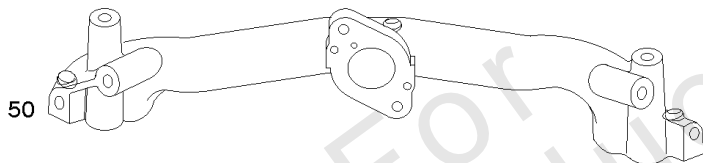
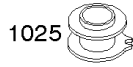
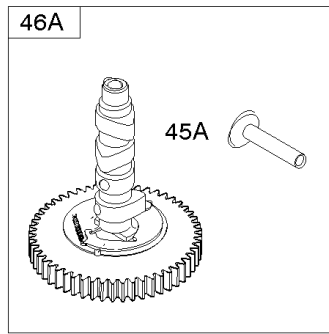
REF NO	PART NO	QTY	DESCRIPTION
11D	844976		Tube-Breather -Used After Code Date 10082300
163	692081		Gasket-Air Cleaner -(Used With Metal Air Cleaner Base)
163C	844931		Gasket-Air Cleaner
166	844979		Stud -(Air Cleaner)
185	690939		NUT -(Air Cleaner Base)
186A	845121		Connector-Hose
186B	845141		CONNECTOR, Hose
304	844153		Housing-Blower
305	692056		Screw -(Blower Housing) (14mm)
305A	692062		Screw -(Blower Housing)
445	394018S		Filter-A/C Cartridge -(Round)
467	691985		KNOB, Air Cleaner Cover
467A	844618		Knob-Air Cleaner Cover
587	807116		Clamp-Cable
643	692079		Retainer-Air Filter
643A	844932		Retainer-Air Filter
711A	807084		Screw -(Carburetor Shield)
711B	807163		Screw -(Carburetor Shield)
717	692542		Bracket-Air Cleaner
729	807136		Clip-Wire -(Black)(Spring Steel)
729B	690586		Clip-Wire -(Snap In)(Nylon)
833	841233		Screw -(Air Cleaner Mounting Strap/Stud)
875C	844929		Base-Air Cleaner
875G	846046		Base-Air Cleaner -Used Before Code Date 12020100
875D	845142		Base-Air Cleaner
930	846284		Guard-Rewind
967	272490S		Filter-Pre Cleaner -(Round)
968	699959		Cover-Air Cleaner -(Used With Metal Air Cleaner Base)
971A	807084		Screw -(Air Cleaner Base to Carburetor/Throttle Body)
996A	844930		Shield-Carburetor
1004	842258		Duct-Air -(Used With Metal Air Cleaner Base)
1036			Label-Emissions
1392	690939		NUT -(Rewind Guard)
1425	844712		Hose-Purge Line

1119 



## Alternator, Ignition, Wire Assemblies

REF NO	PART NO	QTY	DESCRIPTION
333	845606		Armature-Magneto -Used After Code Date 09100700
333A	591459		ARMATURE, Magneto -Used Before Code Date 09100800
334	692066		Screw -(Magneto Armature)
474C	592829		ALTERNATOR -(Tri Circuit)
500	691086		WASHER -(Key Switch)
501A	794360		REGULATOR
526	692067		Screw -(Regulator)
526A	690717		Screw -(Regulator) (M6x30mm)
529	690744		Grommet
578A	844547		Wire Assembly -(With Diodes) -Used After Code Date 09100700
578A	692319		Wire Assembly -Used Before Code Date 09100800
578B	692306		Wire Assembly
664	691087		NUT -(Key Switch)
789A	844914		Harness-Wiring
851	493880S		TERMINAL, Spark Plug
877A	393814		Wire/Connector-Alternator
877C	399916		Wire/Connector-Alternator
877D	698092		Wire/Connector-Alternator
878A	691955		Harness-Alternator
892	692318		Switch-Key
990	691959		SET, Key
1054	280275		Tie-Cable
1059	698516		KIT, Screw/Washer
1119	691552		Screw -(Alternator)

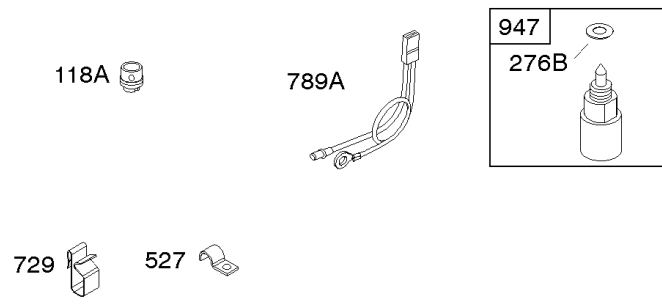
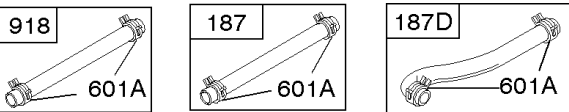
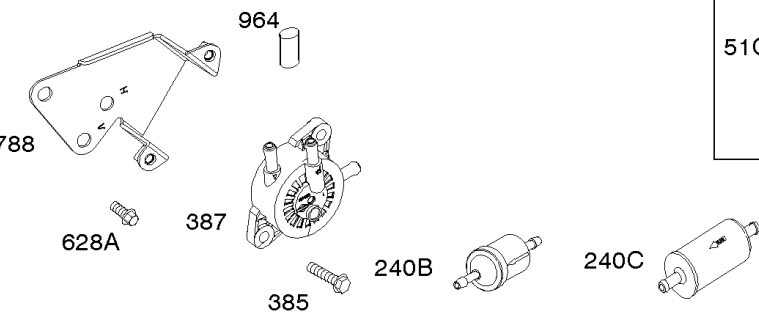
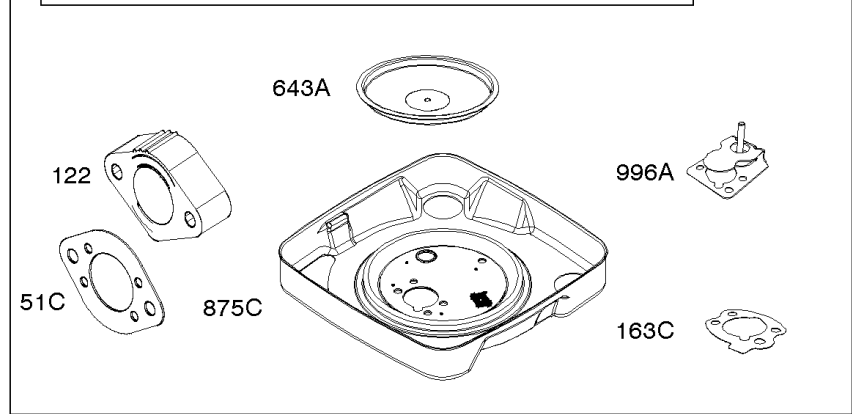
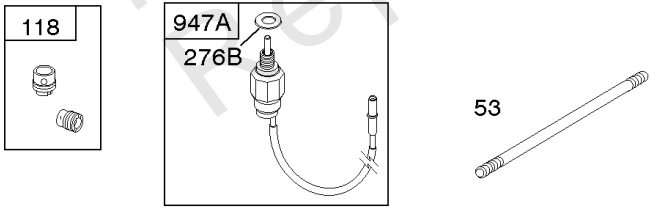
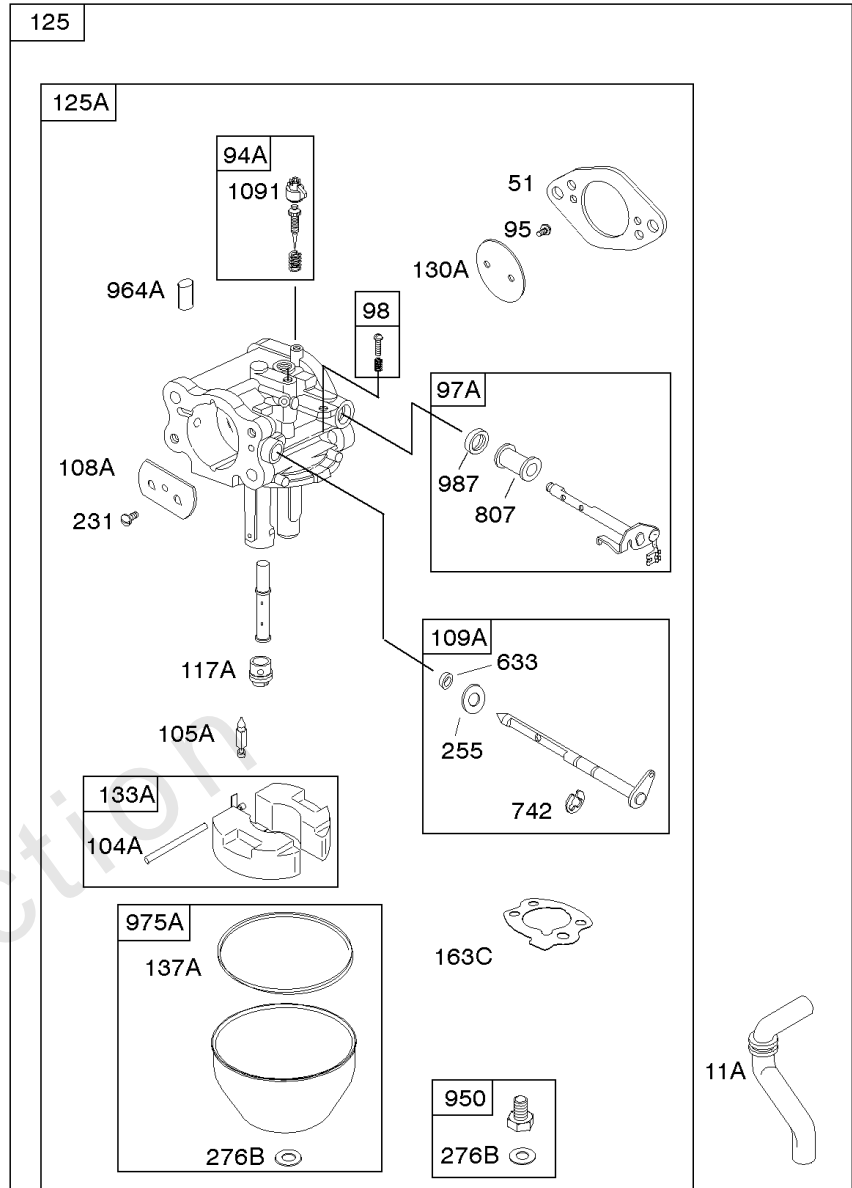
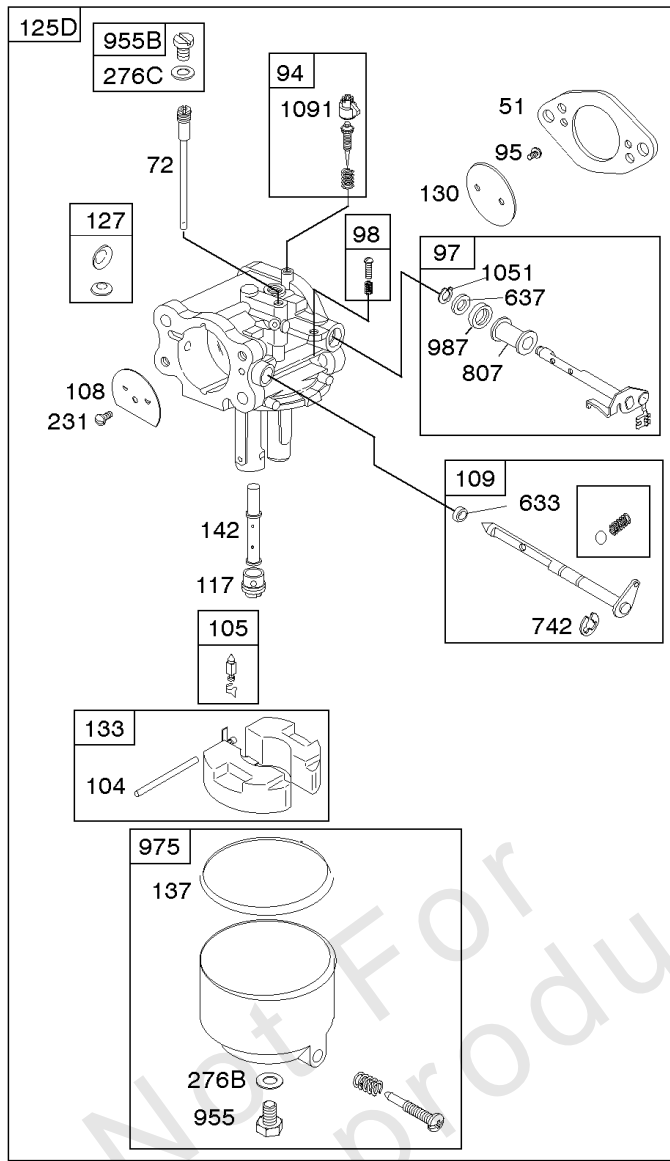




## Camshaft, Crankshaft, Intake Manifold

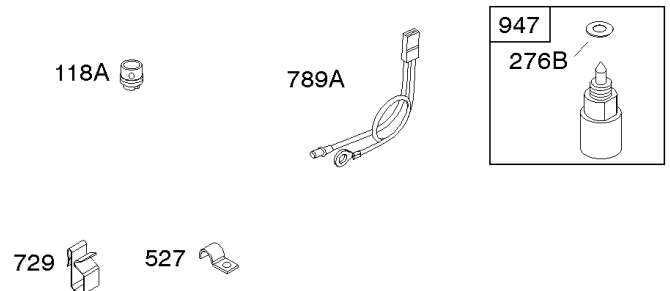
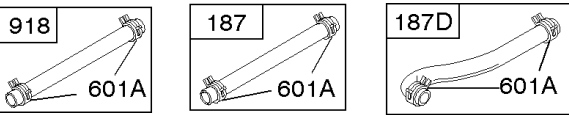
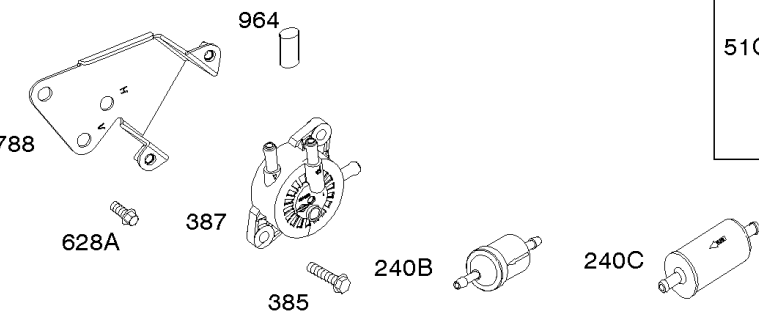
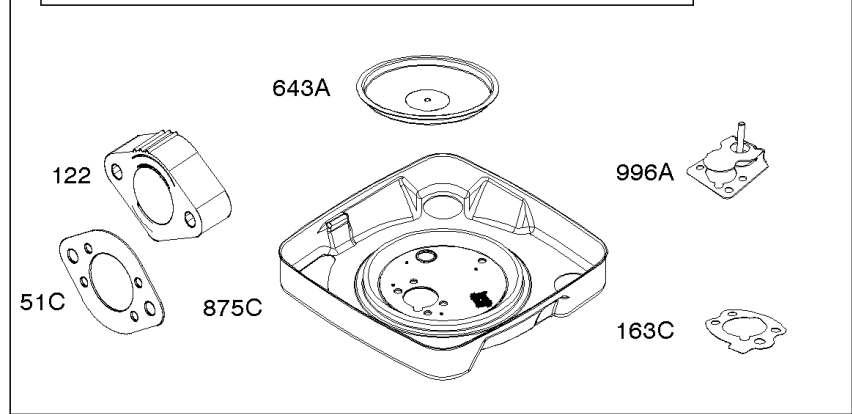
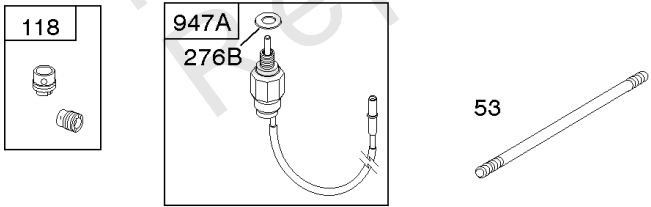
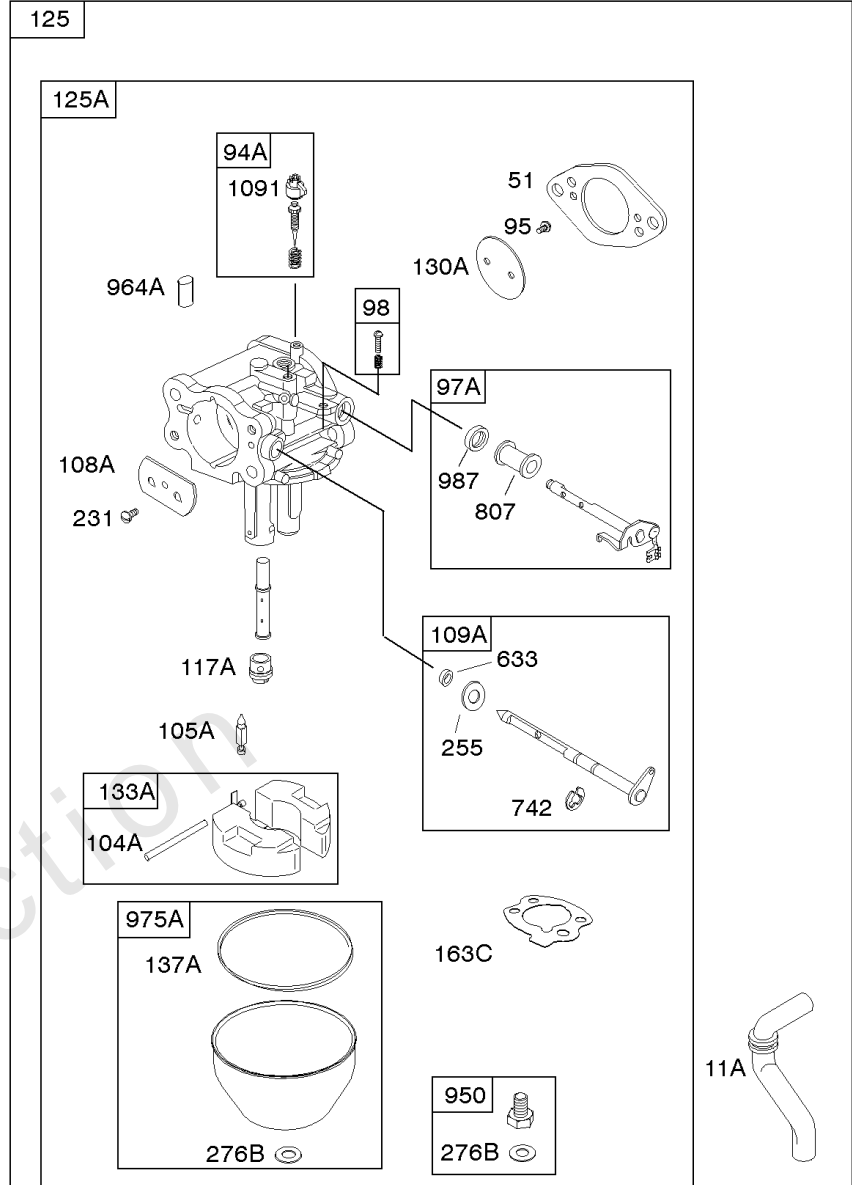
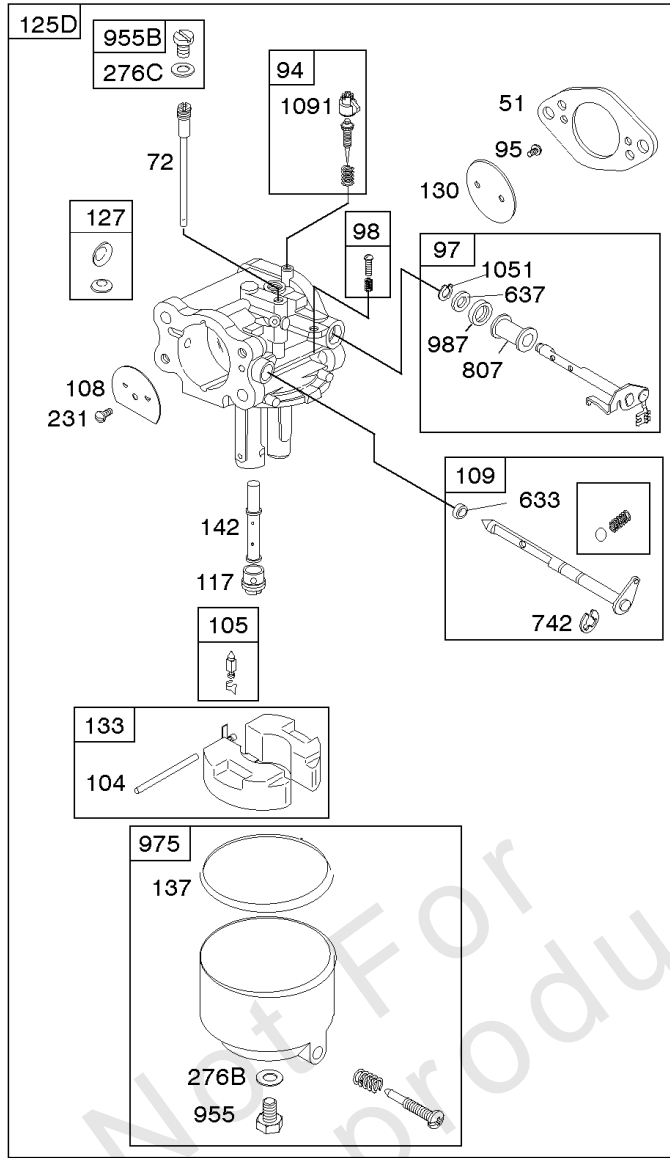
REF NO	PART NO	QTY	DESCRIPTION
45A	843379		Tappet-Valve -Used After Code Date 06020500
46A	845649		Camshaft
50	690754		Manifold-Intake
51	691694		Gasket-Intake -(Manifold/Carburetor Spacer)
51B	692035		Gasket-Intake -(Manifold/Heads)
54	846604		Screw -(Intake Manifold) (M8x67mm) (Dog Point)
122A	847048		Spacer-Carburetor -(27mm)
654	690939		NUT -(Carburetor)
964A	809640		Cap-Connector
1025	690689		Spool-Governor
1130	690746		Stud -(Intake Manifold)
1176	842067		Nut -(Exhaust Manifold)

Not For  
Reproduction



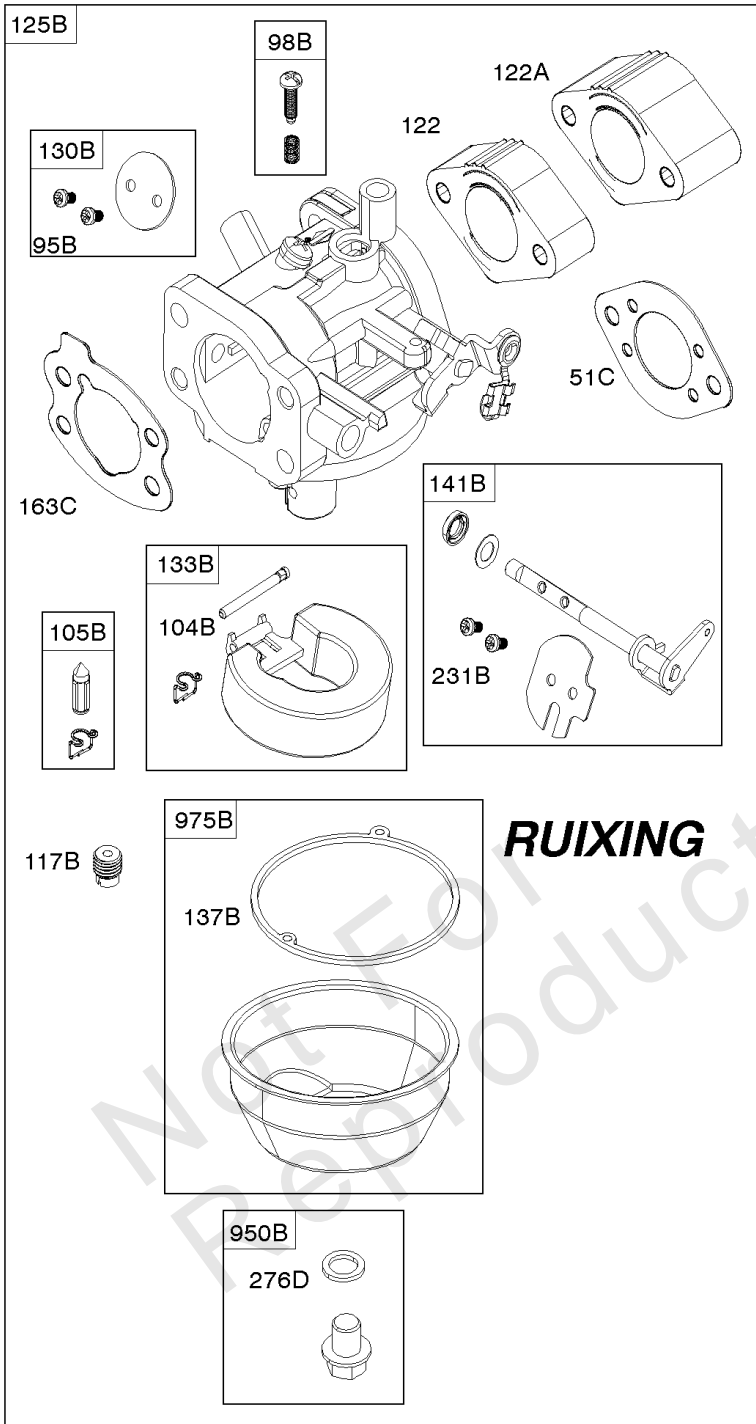
## Carburetor (Nikki), Fuel Supply

REF NO	PART NO	QTY	DESCRIPTION
51	691694		Gasket-Intake -(Manifold/Carburetor Spacer)
51C	846597		Gasket-Intake
53	690746		Stud -(Carburetor)
72	806480		Tube-Jet
94	842885		Kit-Idle Mixture
94A	844935		Kit-Idle Mixture
95	690718		SCREW -(Throttle Valve)
97	808375		Shaft-Throttle
97A	844934		Shaft-Throttle
98	807705		Kit-Idle Speed
104	690739		Pin-Float Hinge
104A	844906		Pin-Float Hinge
105	807706		Valve-Float Needle
105A	844907		Valve-Float Needle
108	690729		Valve-Choke
108A	844903		Valve-Choke -(No Longer Available, For Replacement See Reference 125)
109	807711		Shaft-Choke
109A	844913		Shaft-Choke
117	806471		Jet-Main -(Standard)
117A	844936		Jet-Main -(Standard)
118	807907		Jet-Main -(High Altitude) -Used Before Code Date 10010700
118A	845469		Jet-Main -(High Altitude) (5000 > 9000 Feet) -Used After Code Date 10010600
118A	845837		Jet-Main -(High Altitude) (9000 Feet and Above) -Used After Code Date 10010600
125A	844937		Carburetor -Used After Code Date 10010600 -Used Before Code Date 15093000
127	690731		Plug-Welch
130	806470		Valve-Throttle
133	807710		Float-Carburetor
137	806481		Gasket-Float Bowl
137A	844908		Gasket-Float Bowl
142	691555		Nozzle-Carburetor
163C	844931		Gasket-Air Cleaner
187	791745		Line-Fuel -(23" Long) (Cut to Required Length)
187	791766		LINE, Fuel -(15 Inches Long)(Cut To Required Length)
187D	791744		LINE, Fuel
231	690718		SCREW -(Choke Valve)
240B	691035		FILTER, Fuel -(Includes Paper Element With A 40 Micron Rating)
240C	845125		FILTER, Fuel
255	690737		Bushing-Choke Shaft

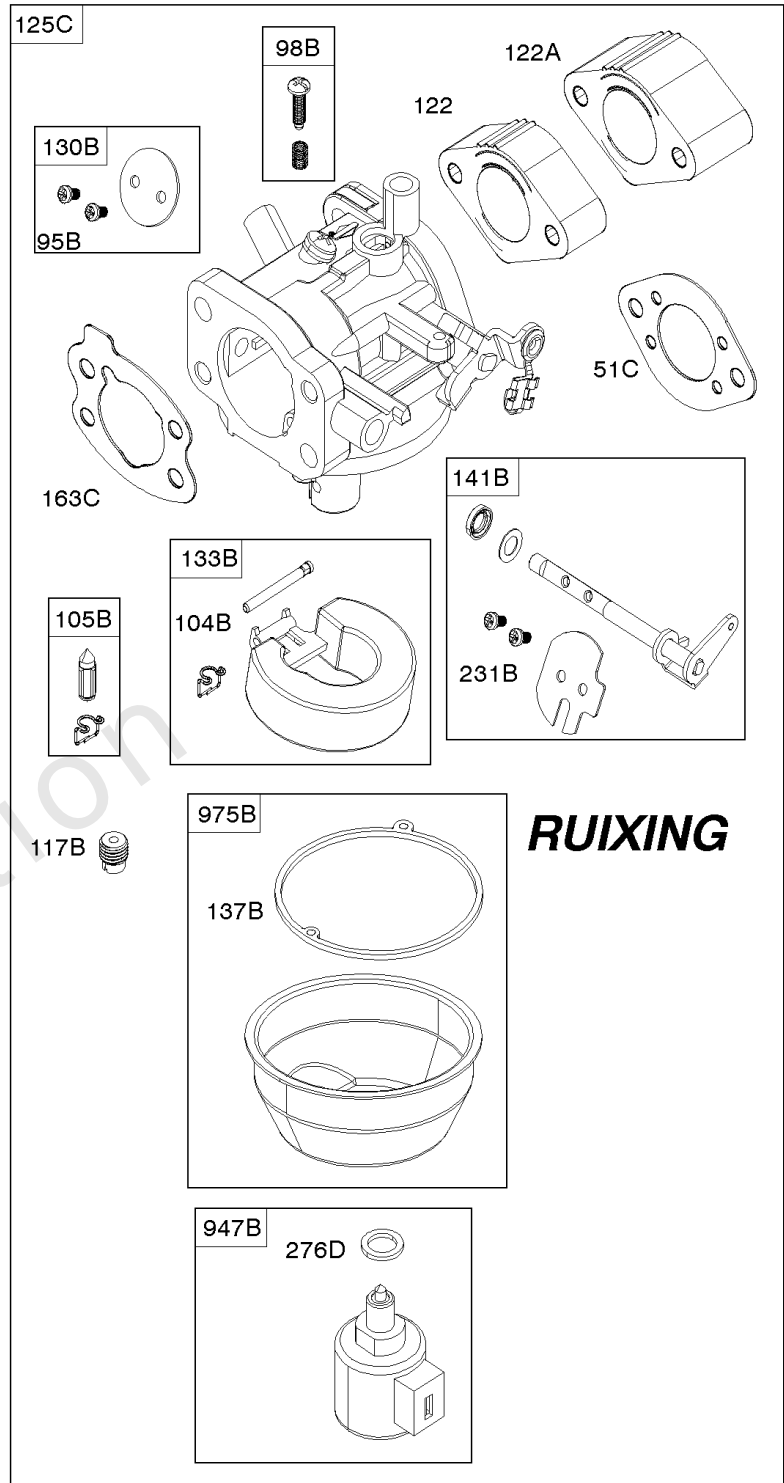



## Carburetor (Nikki), Fuel Supply

REF NO	PART NO	QTY	DESCRIPTION
276B	806476		Washer-Sealing -(Float Bowl)
276C	806477		Washer-Sealing -(Carburetor Plug)
385	807084		Screw -(Fuel Pump)
387	808656		PUMP, Fuel
527	690423		Clamp-Tube
601A	691038		CLAMP, Hose -(Black)
628A	806660		Screw -(Fuel Pump Bracket)
633	690738		Seal-Choke/Throttle Shaft
637	690735		Washer -(Throttle Shaft)
643A	844932		Retainer-Air Filter
729	807136		Clip-Wire -(Black)(Spring Steel)
742	805578		Retainer-E Ring
788	691559		Bracket-Fuel Pump
789A	844914		Harness-Wiring
807	690733		Spacer-Throttle
875C	844929		Base-Air Cleaner
918	791880		Hose-Vacuum -(Cut To Required Length)
947	844911		Solenoid-Fuel -(NO LONGER AVAILABLE) -Used After Code Date 10010600
947A	806472		Solenoid-Fuel -Used Before Code Date 10010700
950	844916		Screw-Float Bowl
955	691511		Plug-Carburetor
955B	807714		Plug-Carburetor
964	590799		Cap-Connector
964A	809640		Cap-Connector
975	807715		Bowl-Float
975A	844909		Bowl-Float
987	691548		Seal-Throttle Shaft
996A	844930		Shield-Carburetor
1051	690736		Ring-Retaining
1091	691515		Cap-Limiter



118B 

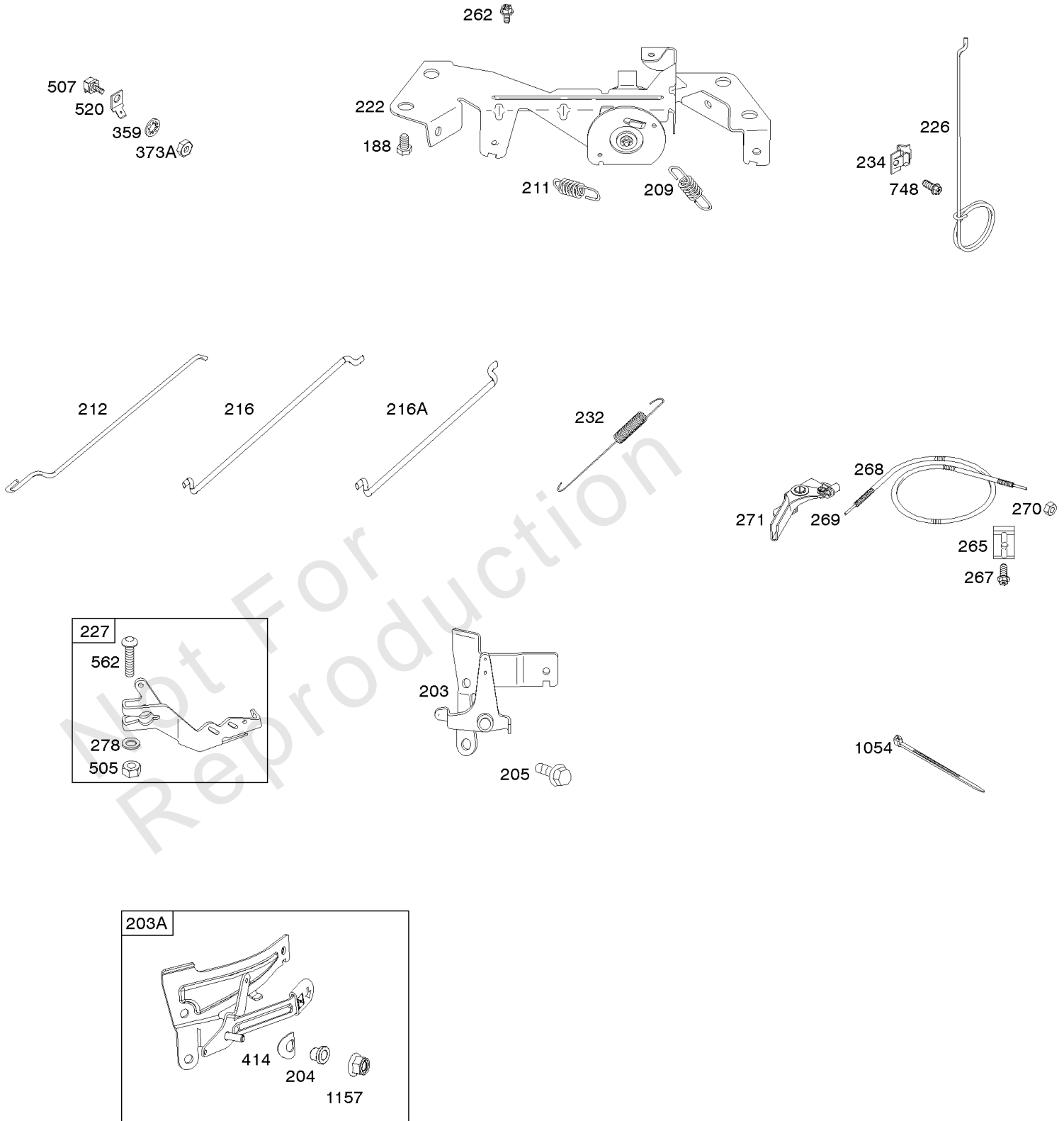


118B 

789A 

## Carburetor (Ruixing)

REF NO	PART NO	QTY	DESCRIPTION
51C	846597		Gasket-Intake
95B	846644		Screw -(Throttle Valve) (Ruixing)
98B	846649		Kit-Idle Speed -(Ruixing)
104B	846646		Pin-Float Hinge -(Ruixing)
105B	846643		Valve-Float Needle -(Ruixing)
117B	847041		Jet-Main -(Standard) (Ruixing)
118B	847042		Jet-Main -(High Altitude) (HIGH ALITITUDE 5000 ft. - Ruixing )
118B	847043		Jet-Main -(High Altitude) (HIGH ALITITUDE 9000 ft. - Ruixing )
122A	847048		Spacer-Carburetor -(27mm)
125C	847050		Carburetor -(Ruixing with Solenoid) -Used After Code Date 15092900
130B	846638		Valve-Throttle -(Ruixing)
133B	846645		Float-Carburetor -(Ruixing)
137B	846642		Gasket-Float Bowl -(Ruixing)
141B	846637		Kit-Choke Shaft -(Ruixing)
163C	844931		Gasket-Air Cleaner
231B	846644		Screw -(Choke Valve) (Ruixing)
276D	846640		WASHER, Sealing -(Ruixing)
789A	844914		Harness-Wiring
947B	846639		SOLENOID, Fuel -(Ruixing)
950B	846648		Screw-Float Bowl -(Ruixing)
975B	846641		Bowl-Float -(Ruixing)





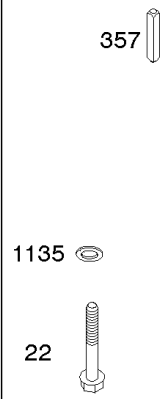
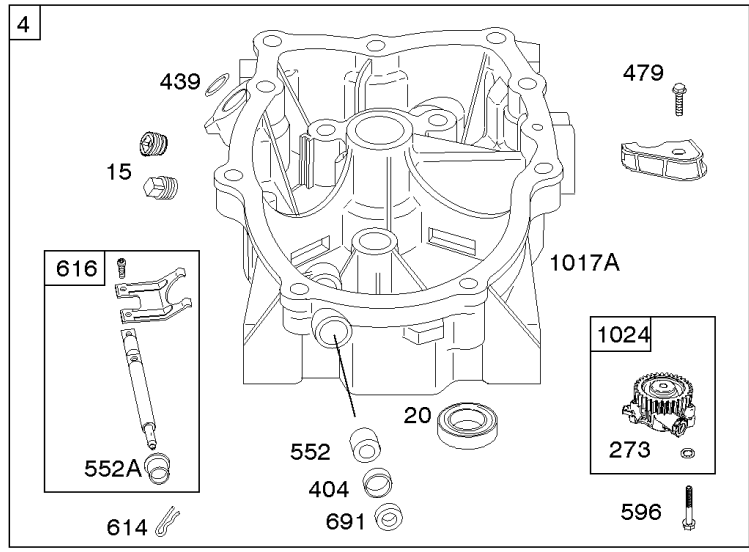
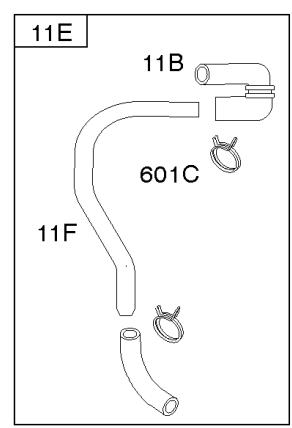
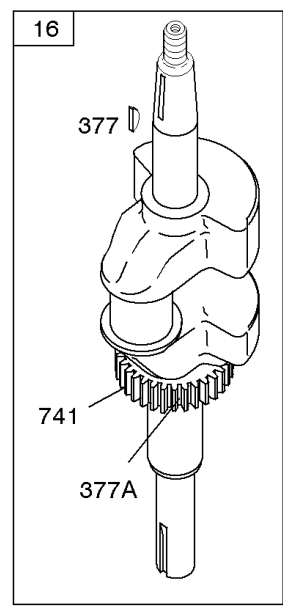
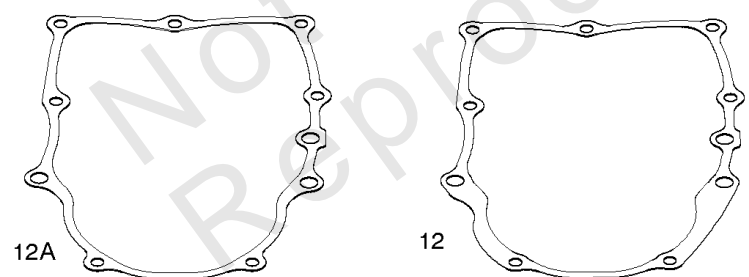
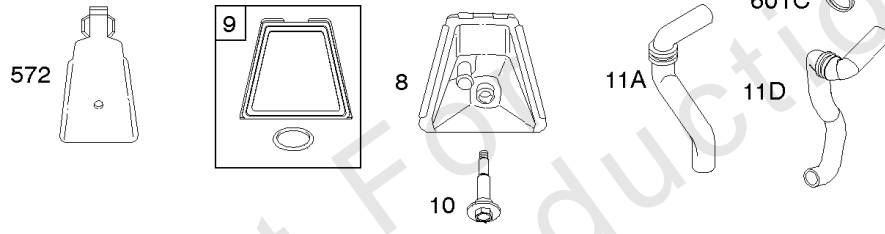
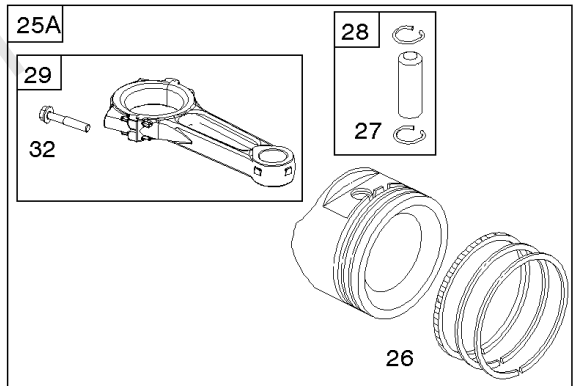
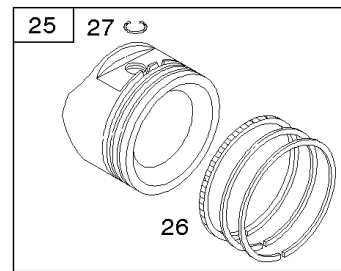
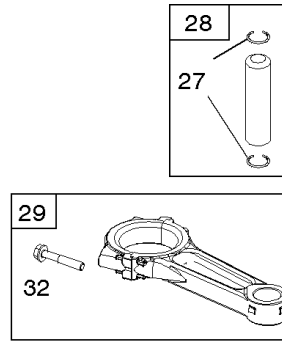
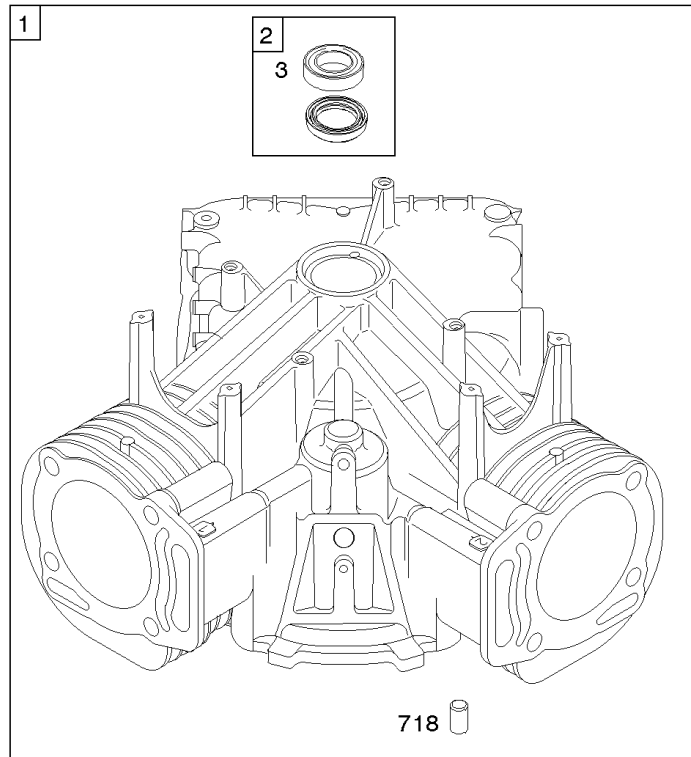
## Controls and Governor Springs

REF NO	PART NO	QTY	DESCRIPTION
188	692056		Screw -(Control Bracket)
203	690923		Crank-Bell
203A	808753		Crank-Bell
204	692884		Bushing-Lever
205	692083		Screw -(Bell Crank)
209	692070		Spring-Governor -(Red)
211	692069		Spring-Governed Idle
212	847015		Link-Throttle
216A	847031		Link-Choke
222	808454		Bracket-Control
226	692075		Rod-Choke
227	690236		Lever-Governor Control
232	692073		Spring-Governor Link
234	691723		Clip-Control Rod
262	692083		Screw -(Rod Bracket)
265	691024		CLAMP, Casing
267	692083		Screw -(Casing Clamp) (M5x12mm)
267	841552		Screw -(Casing Clamp) (M5x20mm)
268	691025		CASING, Control Wire -(Cut To Required Length)
269	691026		WIRE, Control -(Cut To Required Length)
270	691027		NUT -(Control Wire Casing)
271	691028		Lever-Control
278	842122		Washer -(Governor Control Lever)
359	691077		Washer -(Ground Terminal)
373A	691612		Nut -(Ground Terminal)
414	690344		Washer -(Bell Crank)
505	844752		Nut -(Governor Control Lever) (M6)
507	691972		Insulator
520	691084		Terminal-Ground -(Brass)
562	690239		Bolt -(Governor Control Lever)
748	692083		Screw -(Control Rod Clip)
1054	280275		Tie-Cable
1157	690713		Nut -(Bell Crank)

# Crankcase Cover/Sump & Gasket, Cylinder, Piston/Rings/Connecting Rod, Crankshaft

Mfg. No: 356777-0139-B1

- 1036 EMISSIONS LABEL
- 1319 WARNING LABEL
- 1330 REPAIR MANUAL

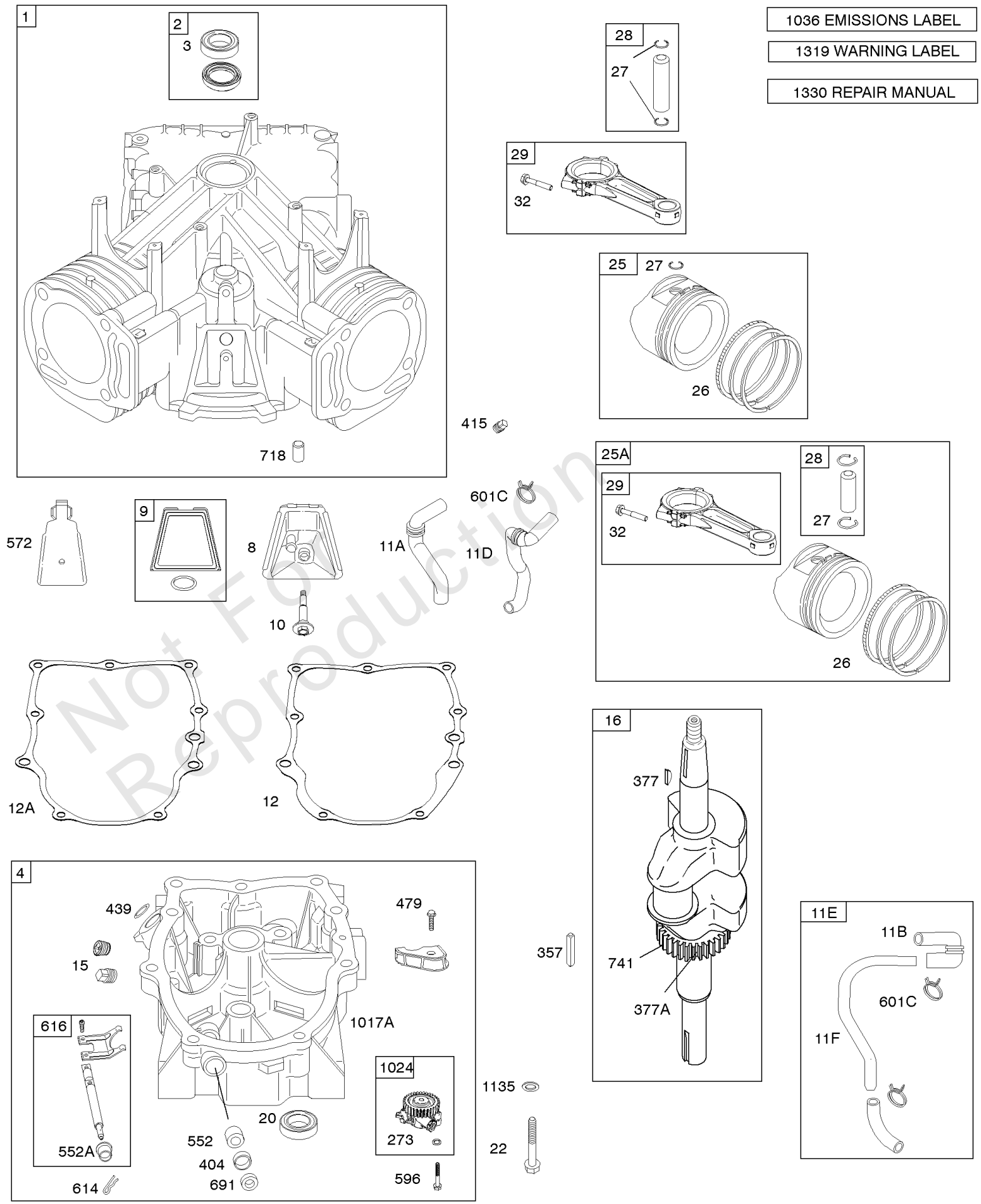


## ***Crankcase Cover/Sump & Gasket, Cylinder, Piston/Rings/Connecting Rod, Crankshaft***

REF NO	PART NO	QTY	DESCRIPTION
1	845094		Cylinder Assembly
2	808534		Kit-Bushing/Seal -(Magneto Side)
3	805101S		Seal-Oil -(Magneto Side)
4	843954		Sump-Engine
8	808988		Breather Assembly
9	844986		Gasket-Breather
10	690751		Screw -(Breather Assembly)
11D	844976		Tube-Breather -Used After Code Date 10082300
11E	844977		Tube-Breather -Used Before Code Date 10082400
12A	845254		Gasket-Crankcase
15	690946		PLUG, Oil Drain -(3/8"-18 NPTF-External 7/16" Sq)
15	691680		Plug-Oil Drain -(3/8"-18 NPTF - Internal 3/8" Sq)
16	809808		Crankshaft -Used Before Code Date 07063000
16	843796		Crankshaft -Used After Code Date 07062900
20	805049S		Seal-Oil -(PTO Side)
22	807362		Screw -(Crankcase Cover/Sump)
25	843792		Piston Assembly -(Standard) -Used After Code Date 07062900
25	843821		Piston Assembly -(.020" Oversize)
25A	844540		Piston Assembly -(Standard) -Used Before Code Date 07063000
26	843793		Ring Set -(Standard)
26	843822		Ring Set -(.020" Oversize)
27	690683		Lock-Piston Pin
28	844541		Pin-Piston
29	807900S		Rod-Connecting -(Standard)
32	690698		Screw -(Connecting Rod)
273	690681		Seal-O Ring -(Oil Pump)
357	691483		KEY, Drive Pulley
377	808095		Key-Woodruff
377A	691639		KEY, Woodruff
404	690704		Washer -(Governor Crank) (Crankcase Cover/Sump)
415	794903		PLUG -(Square Head)
439	692154		O Ring-Oil Gallery -(Crankcase Cover/Sump or Cylinder Assembly)
479	843961		Screw -(Oil Pump Screen) (Shoulder Screw)

# Crankcase Cover/Sump & Gasket, Cylinder, Piston/Rings/Connecting Rod, Crankshaft

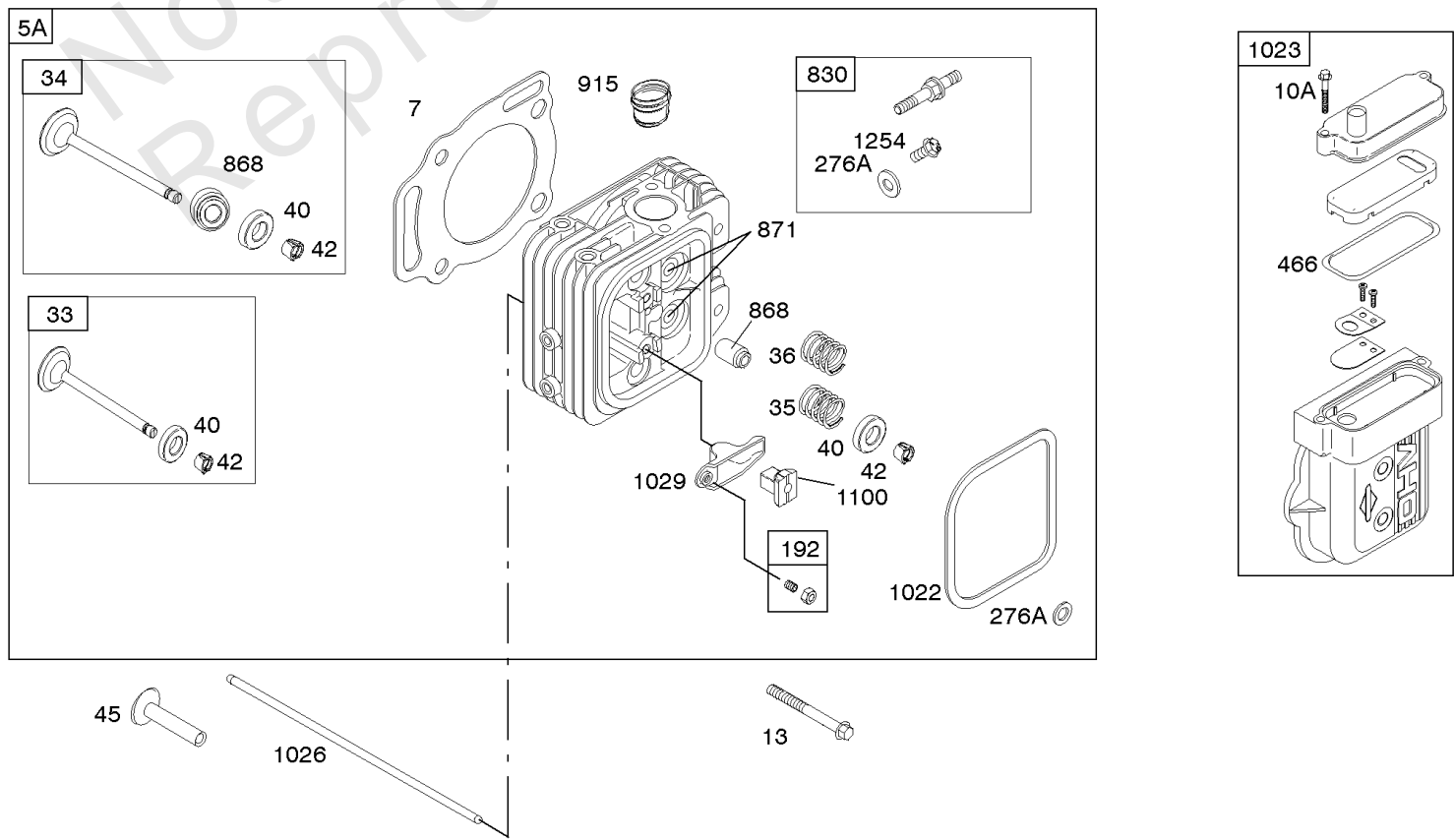
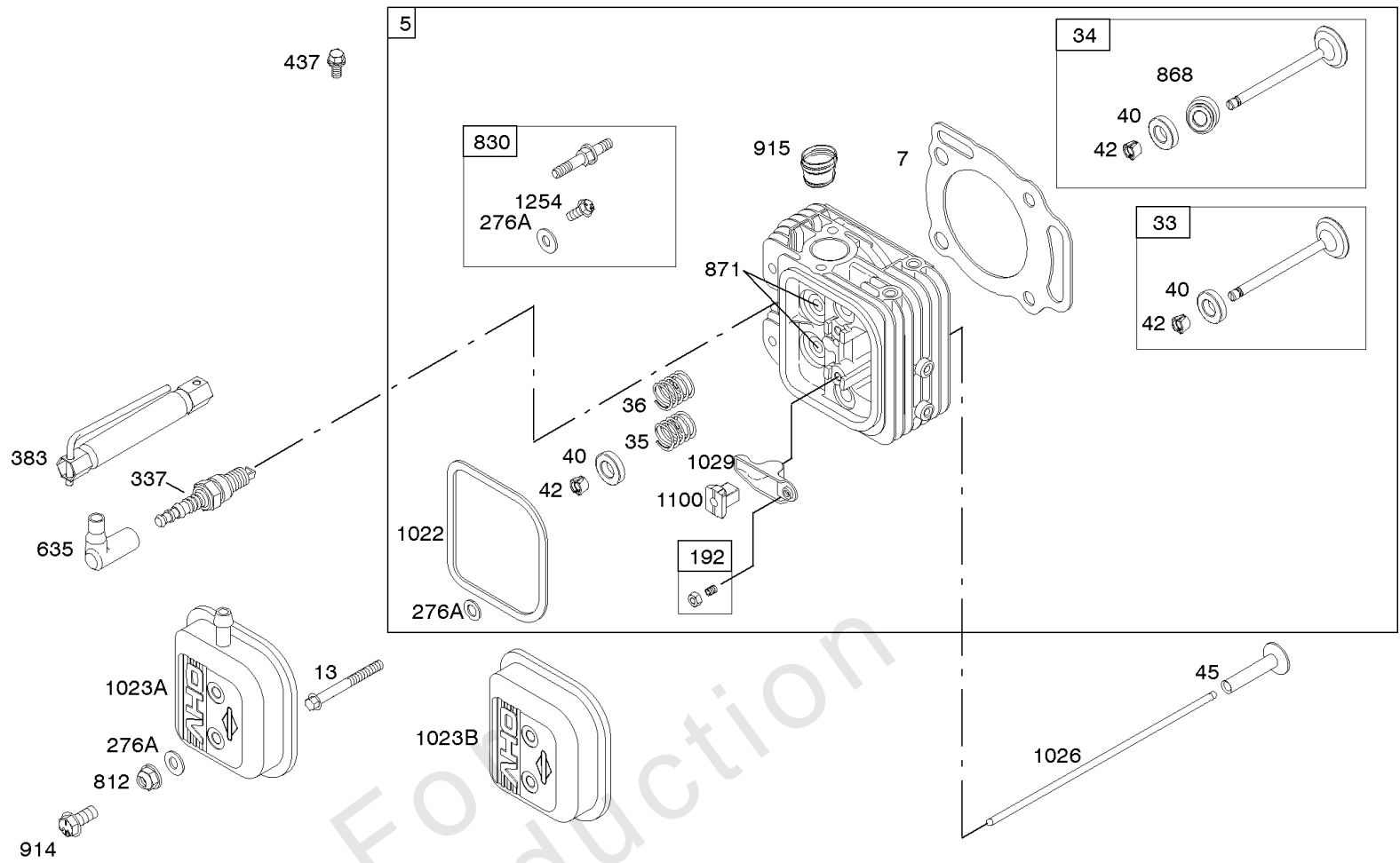
Mfg. No: 356777-0139-B1



- 1036 EMISSIONS LABEL
- 1319 WARNING LABEL
- 1330 REPAIR MANUAL

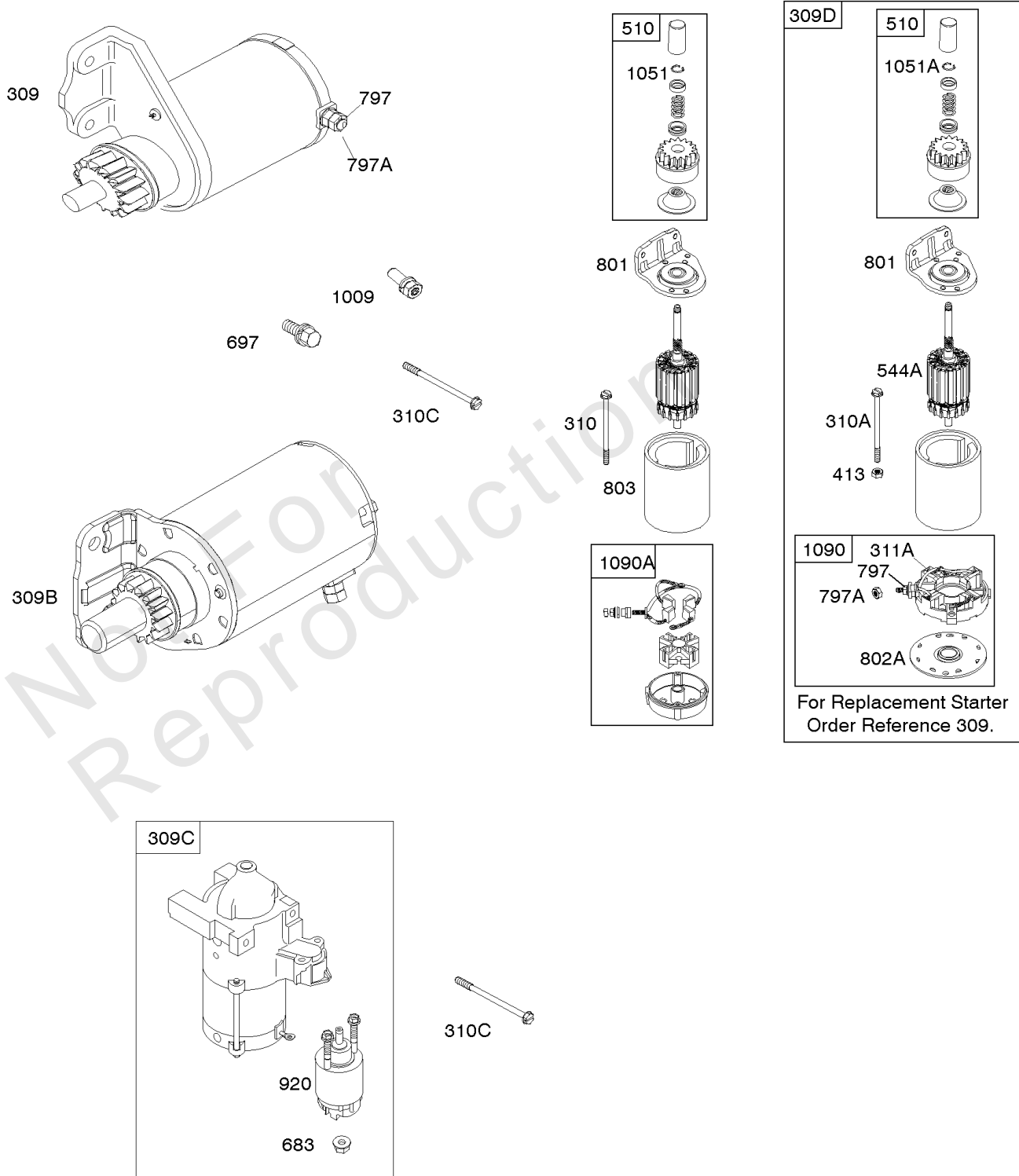
## ***Crankcase Cover/Sump & Gasket, Cylinder, Piston/Rings/Connecting Rod, Crankshaft***

<b>REF NO</b>	<b>PART NO</b>	<b>QTY</b>	<b>DESCRIPTION</b>
552	690701		Bushing-Governor Crank
552A	806686		Bushing-Governor Crank
572	690686		Baffle-Breather
596	807389		Screw -(Oil Pump)
601C	691145		Clamp-Hose
614	691550		Pin-Cotter
616	806685		Crank-Governor
691	842826		Seal-Governor Shaft
718	806469		Pin-Locating
741	846085		Gear-Timing
1017A	843960		Screen-Oil Pump
1024			Pump-Oil -(Oil Pump is No Longer Available) (See Reference 4 for correct replacement Engine Sump) -Used Before Code Date 08022700
1024	843959		Pump-Oil -Used After Code Date 08022600
1036			Label-Emissions
1135	806497		Washer -(Crankcase Cover/Sump)
1319	794467		LABEL, Warning
1330	272144		Repair Manual



## Cylinder Head, Valve Cover

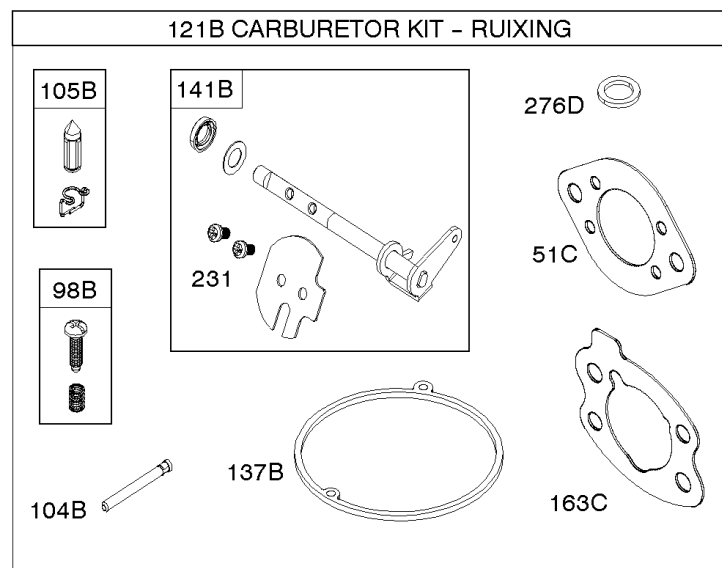
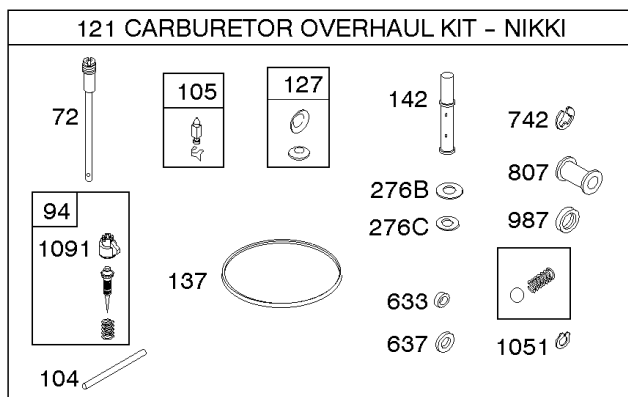
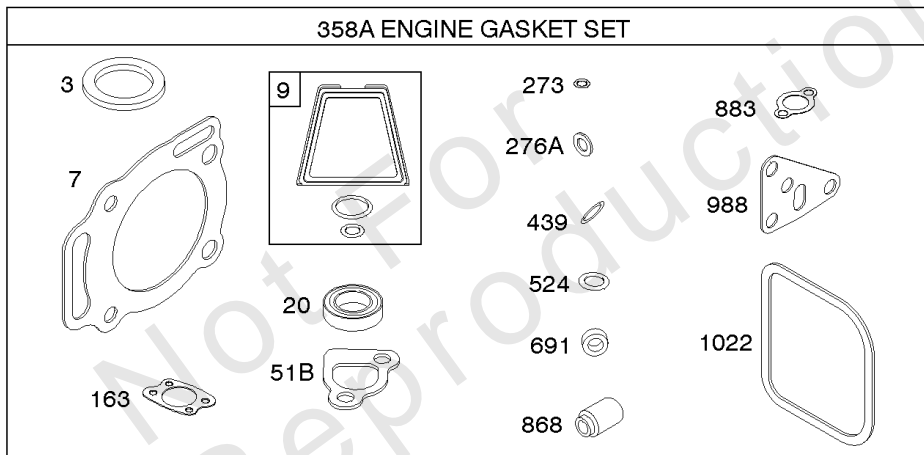
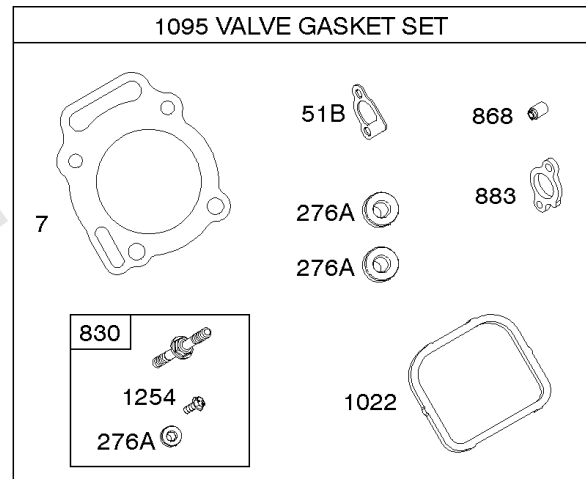
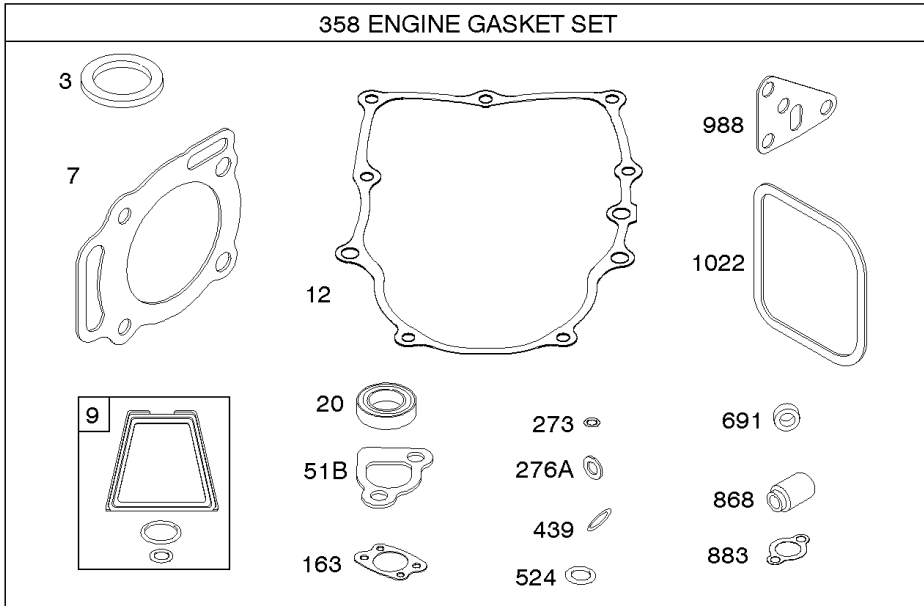
REF NO	PART NO	QTY	DESCRIPTION
5	809185		Head-Cylinder -(Cylinder #1)
5A	809186		Head-Cylinder -(Cylinder #2)
7	845884		Gasket-Cylinder Head -(Graphoil)
10A	806421		Screw -(Breather Assembly)
13	692059		Screw -(Cylinder Head) (86mm Long)
33	807681		Valve-Exhaust
34	807680		Valve-Intake
35	692084		Spring-Valve -(Intake)
36	692084		Spring-Valve -(Exhaust)
40	692058		Retainer-Valve
42	807683		Keeper-Valve
45	690977		TAPPET, Valve -Used Before Code Date 06020600
192	807623		Adjuster-Rocker Arm
276A	691766		Washer-Sealing -Used Before Code Date 01120300
276A	807085		Washer-Sealing -(Cylinder Head) -Used After Code Date 01120200
337	792015		PLUG, Spark
383	19576S		WRENCH, Spark Plug
437	691902		Screw -(Exhaust Manifold)
466	806466		Seal-O Ring -(Breather Assembly)
635	692076		BOOT, Spark Plug
812	692055		Nut -(Rocker Cover)
830	809157		Stud-Rocker Arm
868	691963		Seal-Valve
871	692057		Bushing-Valve Guide
914	807084		Screw -(Rocker Cover)
915	691493		Liner-Port
1022	806039S		Gasket-Rocker Cover
1023A	691558		Cover-Rocker -(Cylinder #1) (Fuel Pump)
1023B	691494		Cover-Rocker
1026	691836		Rod-Push -(Intake)(Steel)
1026	691758		Rod-Push -(Exhaust)(Aluminum)
1029	807323		ARM, Rocker
1100	791959		PIVOT, Rocker Arm
1254	807084		Screw -(Rocker Arm Stud)





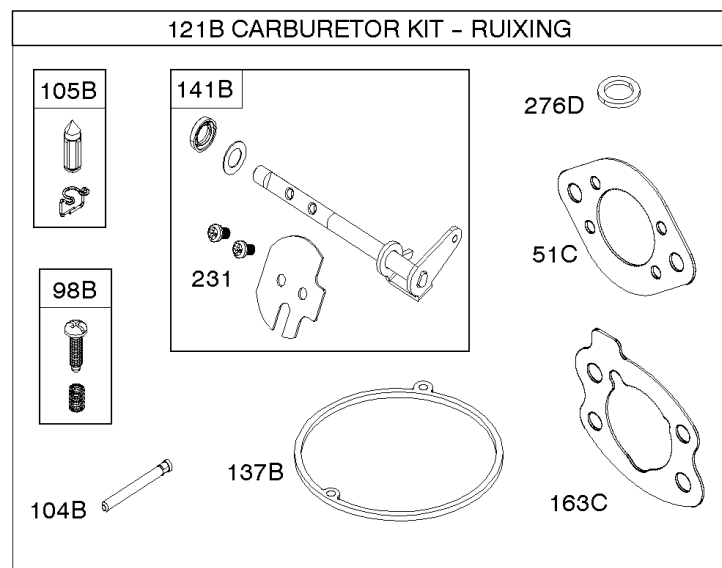
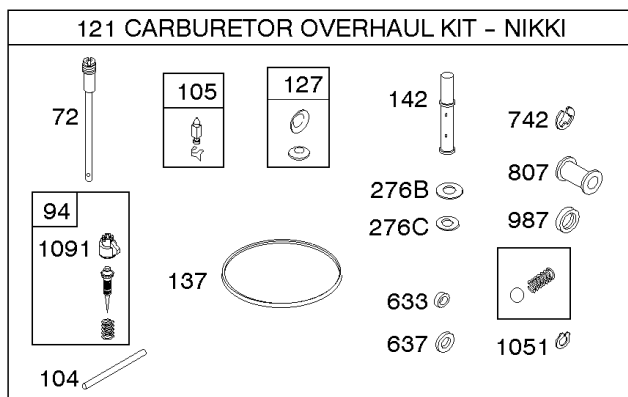
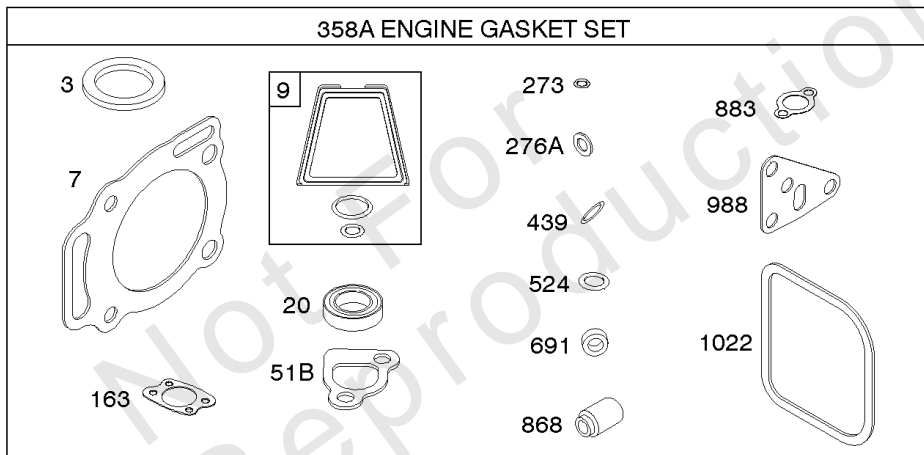
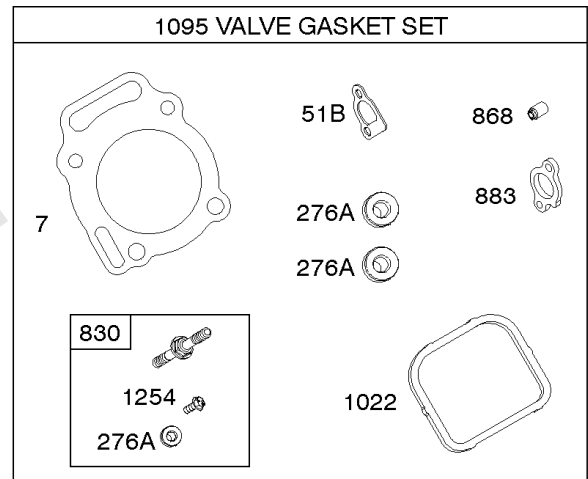
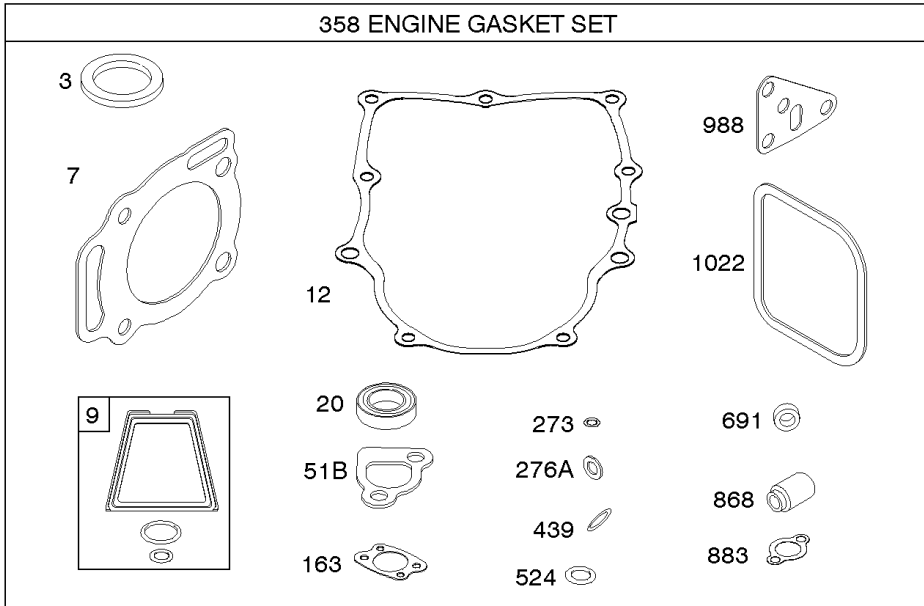
## Electric Starter

REF NO	PART NO	QTY	DESCRIPTION
309	844717		Motor-Starter -Used After Code Date 11011400
309B	846451		Motor-Starter -(Steel Ring Gear Only) -Used Before Code Date 11011500
309D			Motor-Starter -(For Replacement Starter Motor, Order Reference 309)
310			Screw -(Starter Motor) (NO LONGER AVAILABLE)
310A	690323		BOLT -(Starter Motor)
310C	806474		Screw -(Starter Motor)
311A	497608		Brush Set
413	693587		Nut -(Starter Motor)
510	496881		Drive-Starter -(Steel Pinion Gear)
544A	693548		Armature-Starter
683	845758		Nut -(Starter Solenoid)
683	820813		Nut -(Starter Solenoid)
697	692062		Screw -(Starter Motor) (Drive Cap) (M8x18mm)
797	693167		Nut -(Brush Retainer)
797A	691029		NUT -(Brush Retainer)
801			Cap-Drive -(NO LONGER AVAILABLE)
802A	691286		CAP, End
803			Housing-Starter -(NO LONGER AVAILABLE)
920	846737		Solenoid-Starter
1009	691902		Screw -(USE REFERENCE 697 ONLY) (M8x20mm)
1051	690736		Ring-Retaining
1051A	691124		Ring-Retaining
1090	691293		RETAINER, Brush
1090A	496813		Retainer-Brush -(NO LONGER AVAILABLE)



## Engine, Carburetor and Valve Gasket Kits

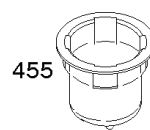
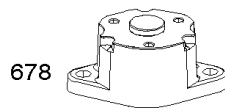
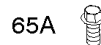
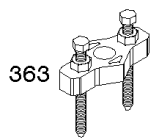
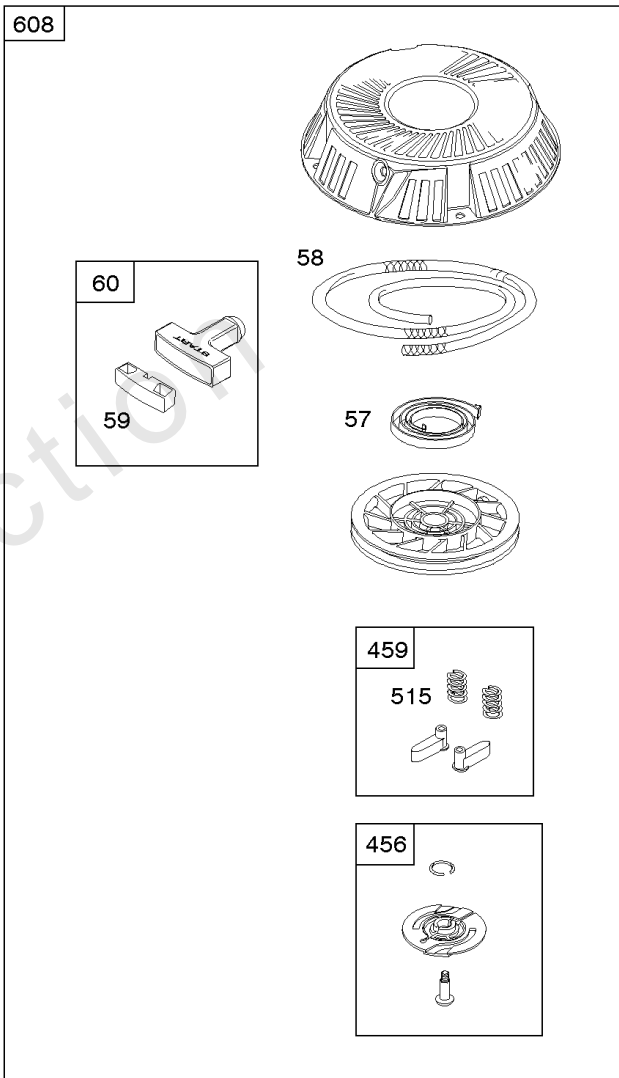
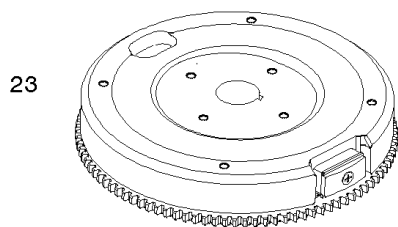
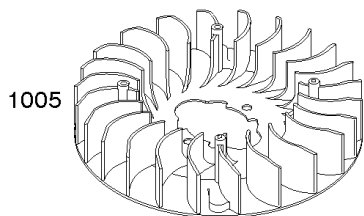
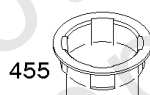
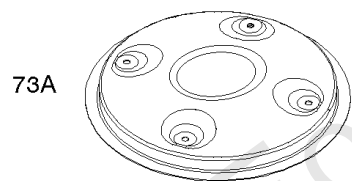
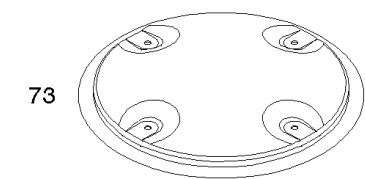
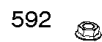
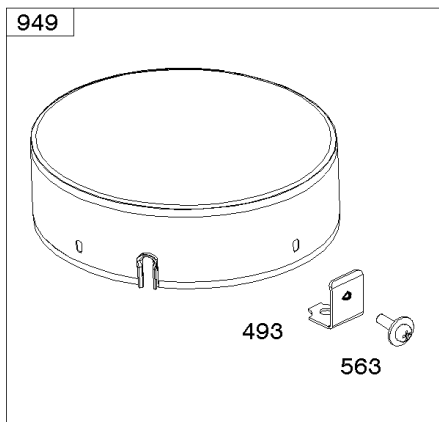
REF NO	PART NO	QTY	DESCRIPTION
3	805101S		Seal-Oil -(Magneto Side)
7	845884		Gasket-Cylinder Head -(Graphoil)
9	844986		Gasket-Breather
20	805049S		Seal-Oil -(PTO Side)
51B	692035		Gasket-Intake -(Manifold/Heads)
51C	846597		Gasket-Intake
72	806480		Tube-Jet
94	842885		Kit-Idle Mixture
98B	846649		Kit-Idle Speed -(Ruixing)
104	690739		Pin-Float Hinge
104B	846646		Pin-Float Hinge -(Ruixing)
105	807706		Valve-Float Needle
105B	846643		Valve-Float Needle -(Ruixing)
121	842886		Kit-Carburetor Overhaul -(Nikki Carburetor) -Used Before Code Date 15093000
121B	847318		Kit-Carburetor Overhaul -(Ruixing) -Used After Code Date 15092900
127	690731		Plug-Welch
137	806481		Gasket-Float Bowl
137B	846642		Gasket-Float Bowl -(Ruixing)
141B	846637		Kit-Choke Shaft -(Ruixing)
142	691555		Nozzle-Carburetor
163	692081		Gasket-Air Cleaner -(Used With Metal Air Cleaner Base)
163C	844931		Gasket-Air Cleaner
231	690718		SCREW -(Choke Valve)
273	690681		Seal-O Ring -(Oil Pump)
276A	691766		Washer-Sealing -Used Before Code Date 01120300
276A	807085		Washer-Sealing -(Cylinder Head) -Used After Code Date 01120200
276D	846640		WASHER, Sealing -(Ruixing)
276B	806476		Washer-Sealing -(Float Bowl)
276C	806477		Washer-Sealing -(Carburetor Plug)
358	808390		Gasket Set-Engine -Used Before Code Date 15093000
358A	847319		Gasket Set-Engine -Used After Code Date 15092900
439	692154		O Ring-Oil Gallery -(Crankcase Cover/Sump or Cylinder Assembly)
524	692053		Seal-Dipstick Tube



## ***Engine, Carburetor and Valve Gasket Kits***

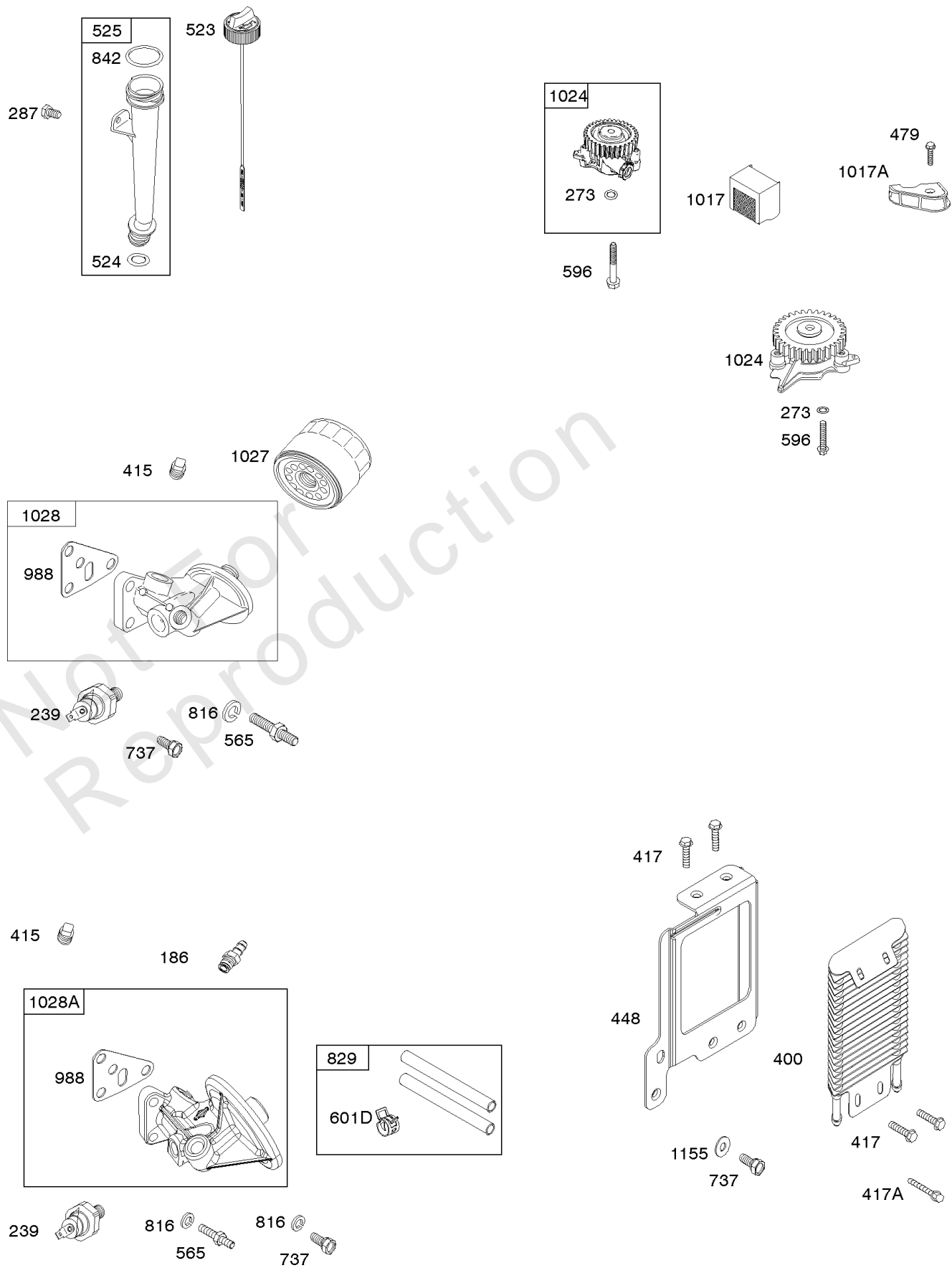
<b>REF NO</b>	<b>PART NO</b>	<b>QTY</b>	<b>DESCRIPTION</b>
633	690738		Seal-Choke/Throttle Shaft
637	690735		Washer -(Throttle Shaft)
691	842826		Seal-Governor Shaft
742	805578		Retainer-E Ring
807	690733		Spacer-Throttle
830	809157		Stud-Rocker Arm
868	691963		Seal-Valve
883	691613		Gasket-Exhaust
987	691548		Seal-Throttle Shaft
988	692063		Gasket-Oil Adapter
1022	806039S		Gasket-Rocker Cover
1051	690736		Ring-Retaining
1091	691515		Cap-Limiter
1095	841191		Gasket Set-Valve
1254	807084		Screw -(Rocker Arm Stud)

Not For  
Reproduction



## ***Flywheel, Rotating Screen, Rewind Starter, Debris Guard***

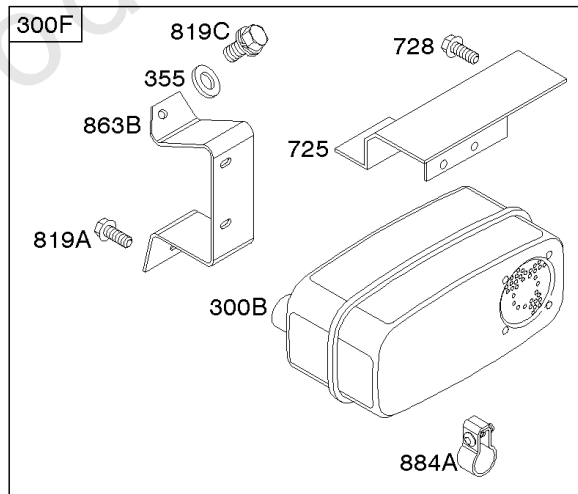
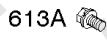
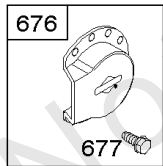
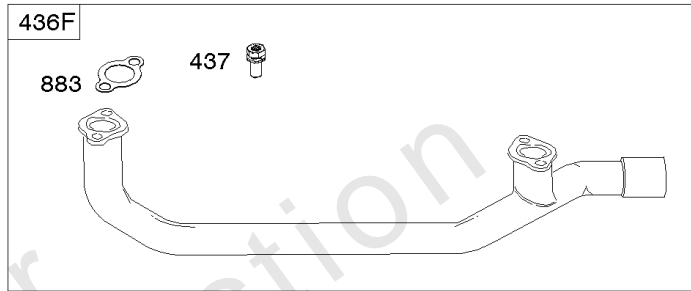
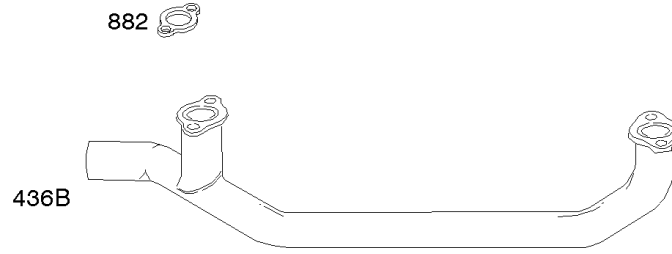
<b>REF NO</b>	<b>PART NO</b>	<b>QTY</b>	<b>DESCRIPTION</b>
23	809236		Flywheel -(Steel Ring Gear)
57	692086		Spring-Rewind Starter
58	66574		Rope-Starter
59	805957		Insert-Grip
60	808167		Grip-Starter Rope
65	690341		SCREW -(Rewind Starter) (Rewind Starter)
65A	841233		Screw -(Rewind Starter) (M6x10mm)
73	807111		Screen-Rotating -Used Before Code Date 04011900
73	841440		Screen-Rotating -Used After Code Date 04011800
74	841441		Screw -(Rotating Screen)
332	690887		Nut -(Flywheel)
363	19203		PULLER, Flywheel
455	841794		Cup-Flywheel
456	845219		Plate-Pawl Friction
459	845218		Pawl-Ratchet
493	845729		Bracket-Mounting
515	691528		Spring-Pawl
563	841735		Screw -(Debris Screen Guard)
592	690939		NUT -(Rewind Starter) (M6)
608	841729		Starter-Rewind
678	841730		Spacer-Rewind
934	691058		Screw -(Fan Retainer)
949	845728		Guard-Debris Screen
1005	841439		Fan-Flywheel
1006	690452		Retainer-Fan





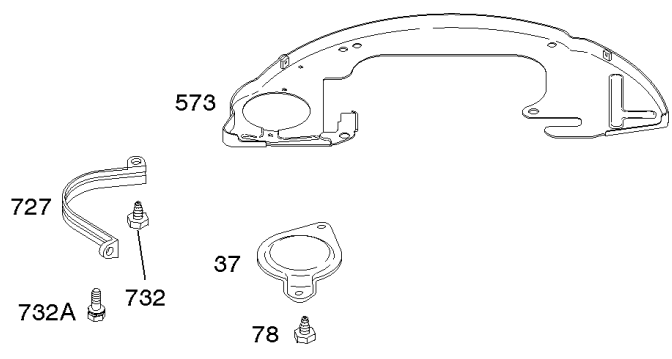
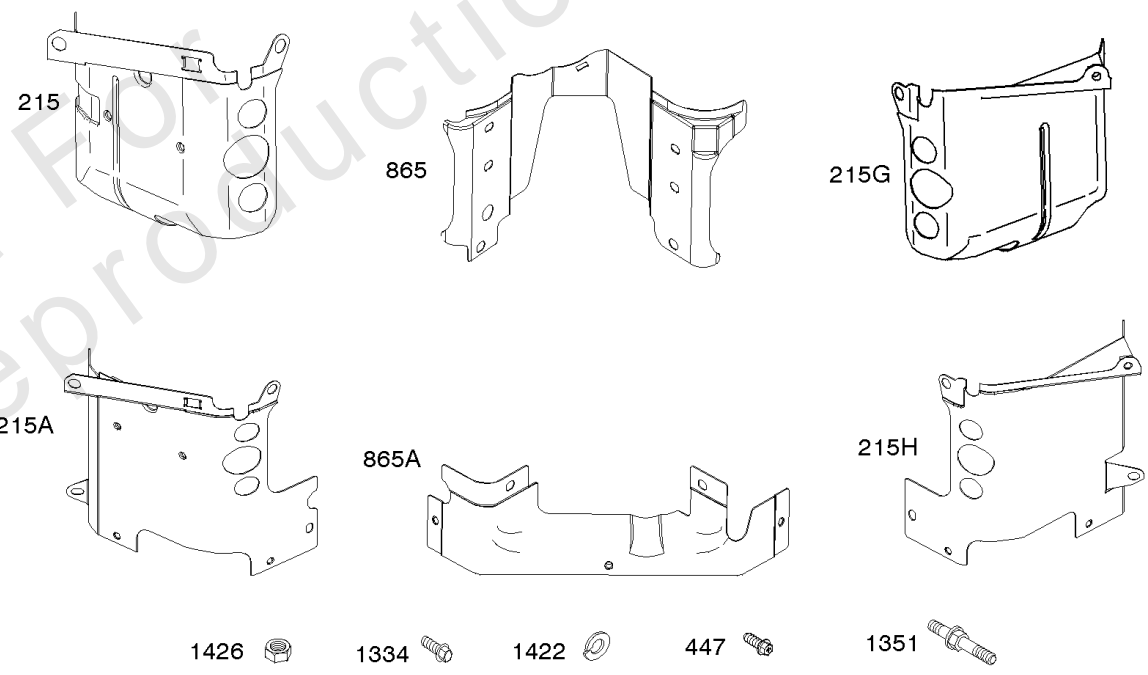
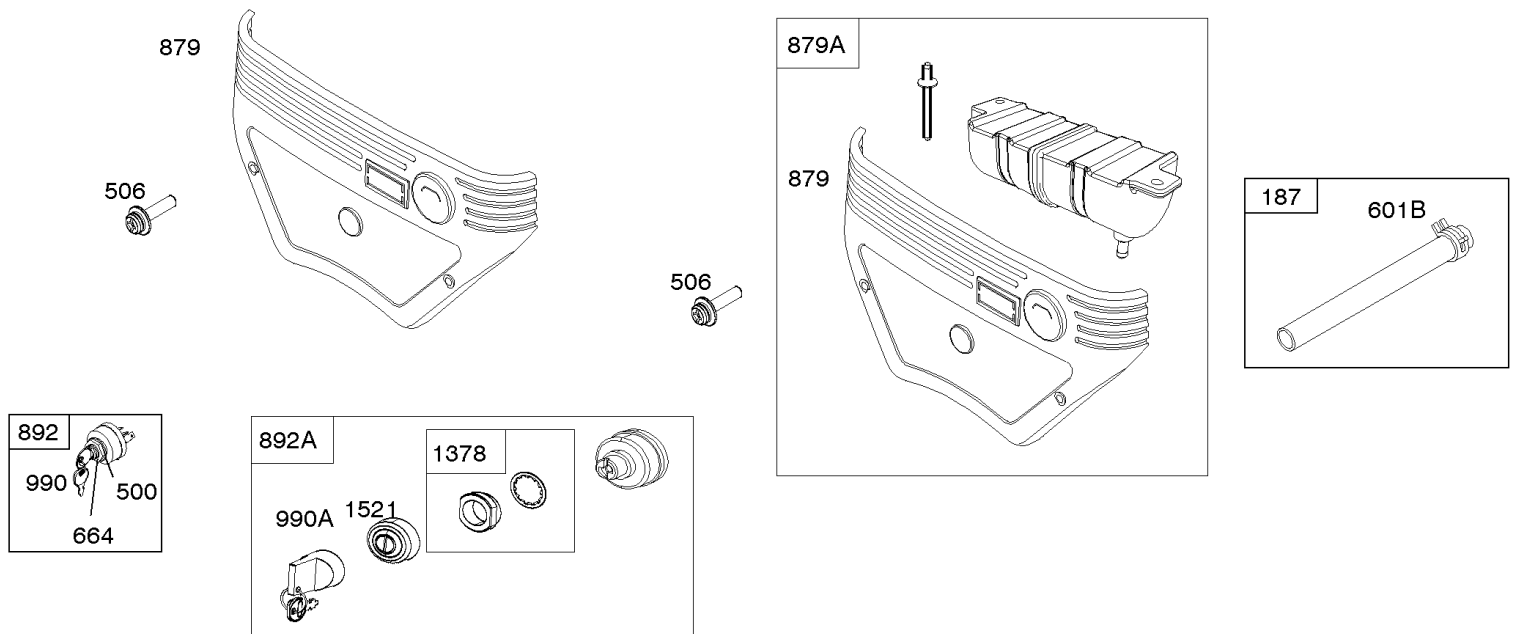
## Lubrication, Oil Fill, Oil Cooler

REF NO	PART NO	QTY	DESCRIPTION
186	693184		Connector-Hose
239	690233		Switch-Oil Pressure -(Oil GARD)
273	690681		Seal-O Ring -(Oil Pump)
287	807084		Screw -(Dipstick Tube)
400	846489		Cooler-Oil
415	794903		PLUG -(Square Head)
417	843345		Screw -(Oil Cooler) (M6x8mm)
417A	841233		Screw -(Oil Cooler)
448	841488		Bracket-Oil Cooler
479	843961		Screw -(Oil Pump Screen) (Shoulder Screw)
523	692101		Dipstick
524	692053		Seal-Dipstick Tube
525	692093		Tube-Dipstick
565	690682		Stud -(Oil Filter Adapter)
596	807389		Screw -(Oil Pump)
601D	841597		CLAMP, Hose
737	690679		Screw -(Oil Filter Adapter) (M6x21mm)
816	690706		Washer -(Oil Filter Adapter)
829	841999		Hose-Oil Cooler
842	691870		Seal-O Ring -(Dipstick Tube)
988	692063		Gasket-Oil Adapter
1017	690878		Screen-Oil Pump
1017A	843960		Screen-Oil Pump
1024	843959		Pump-Oil -Used After Code Date 08022600
1024			Pump-Oil -(Oil Pump is No Longer Available) (See Reference 4 for correct replacement Engine Sump) -Used Before Code Date 08022700
1027	842921		Filter-Oil
1028	808235		Adapter-Oil Filter
1155	806647		Washer -(Oil Cooler)



## Muffler, Exhaust Manifold

REF NO	PART NO	QTY	DESCRIPTION
300B	498984S		Muffler
300F	807752		Muffler
355	842122		Washer -(Muffler Bracket)
436B	691502		Manifold-Exhaust
436F	805609		Manifold-Exhaust
437	691902		Screw -(Exhaust Manifold)
613	691902		Screw -(Muffler)
613A	690297		Screw -(Muffler)
676	795036		DEFLECTOR, Muffler
677	690661		SCREW -(Muffler Deflector) (#8-18 x 0.375 lg)
725	806102		Shield-Heat
728	690297		Screw -(Heat Shield)
819A	690297		Screw -(Muffler Bracket)
819C	807084		Screw -(Muffler Bracket)
863B	806759		Bracket-Muffler
882	692074		Flange-Exhaust
883	691613		Gasket-Exhaust
884A	691956		Clamp-Muffler



## Shrouds, Air Guide, Carburetor Cover

REF NO	PART NO	QTY	DESCRIPTION
37	841309		Guard-Flywheel
78	690688		Screw -(Flywheel Guard)
187	791745		Line-Fuel -(23" Long) (Cut to Required Length)
187	791766		LINE, Fuel -(15 Inches Long)(Cut To Required Length)
215	841183		Guide-Air -(Cylinder #1)
215A	841317		Guide-Air -(Cylinder #1)
215H	841316		Guide-Air -(Cylinder #2)
215G	841182		Guide-Air -(Cylinder #2)
447	692067		Screw -(Air Guide Cover) (Round)
500	691086		WASHER -(Key Switch)
506	807120		Screw -(Carburetor/EFI Cover)
573	841310		Plate-Back
601B	841859		Clamp-Hose
664	691087		NUT -(Key Switch)
727	841313		Cover-Starter Drive -(Black)
732	690688		Screw -(Starter Drive Cover)
732A	841233		Screw -(Starter Drive Cover)
865	843768		Cover-Air Guide -(Black)
865A	841319		Cover-Air Guide
879	807118		Cover-Carburetor/EFI
879A	841857		Cover-Carburetor/EFI -(NO LONGER AVAILABLE)
892	692318		Switch-Key
990	691959		SET, Key
990A	847146		Key Set
1334	841233		Screw -(Air Guide)
1351	690682		Stud -(Cylinder Shield)
1378	847144		Washer/Nut Set
1422	690706		Washer -(Air Guide)
1426	690238		Nut -(Air Guide)
1521	847150		Cap-Switch

