

# Illustrated Parts List

## Model Series

# 380700

TYPE NUMBERS  
0024 through 0143.

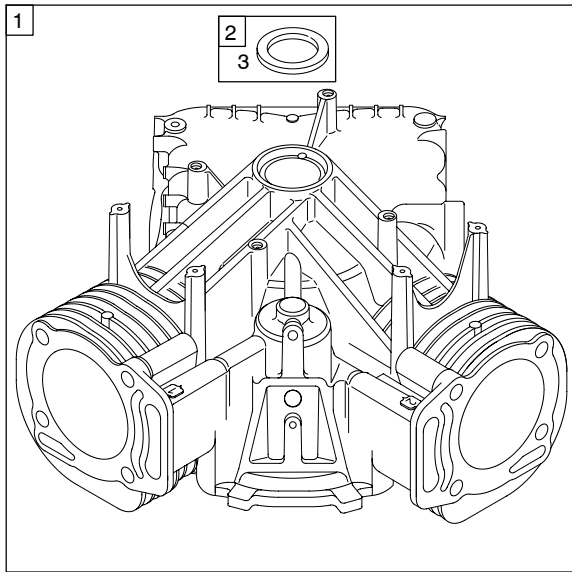
### TABLE OF CONTENTS

<b>Air Cleaner, Intake Manifold</b> .....	8
<b>Alternator</b> .....	7
<b>Blower Housing</b> .....	11
<b>Camshaft</b> .....	4
<b>Carburetor</b> .....	5
<b>Controls</b> .....	7
<b>Crankshaft</b> .....	4
<b>Cylinder</b> .....	2
<b>Cylinder Head</b> .....	6
<b>Electric Starter</b> .....	12
<b>Engine Sump</b> .....	2
<b>Exhaust System</b> .....	9
<b>Flywheel</b> .....	10
<b>Fuel Supply</b> .....	5
<b>Gasket Set - Engine</b> .....	3
<b>Gasket Set - Valve</b> .....	3
<b>Governor Spring</b> .....	7
<b>Ignition</b> .....	7
<b>Kit - Carburetor Overhaul</b> .....	3
<b>Lubrication</b> .....	13
<b>Piston, Rings, Connecting Rod</b> .....	2
<b>Rewind Starter</b> .....	9
<b>Shrouds</b> .....	11
<b>Valves</b> .....	6

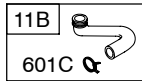


PRINTED IN U.S.A.

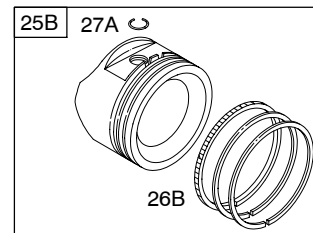
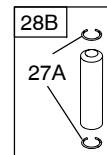
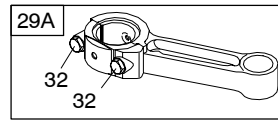
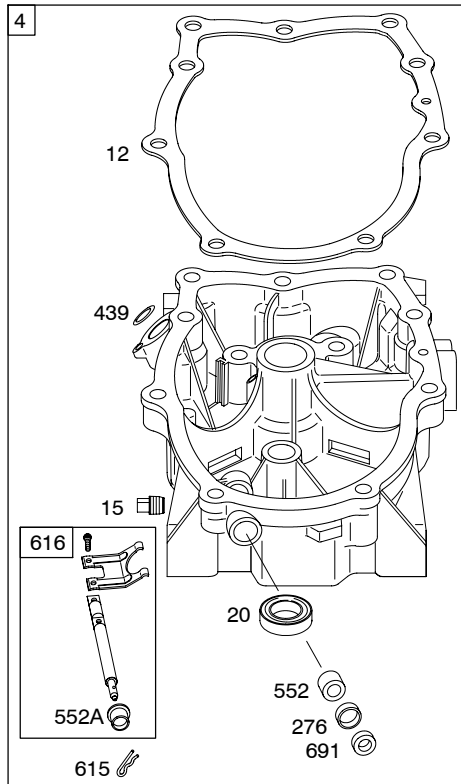
COPYRIGHT by BRIGGS & STRATTON CORPORATION  
All rights reserved. No part of this material may be reproduced or transmitted, in any form or by any means, electronic or mechanical, including photocopying, recording or by any information storage and retrieval system, without permission in writing from Briggs & Stratton Corporation.



718B



415

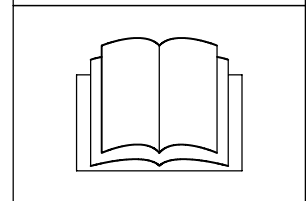


1319 WARNING LABEL

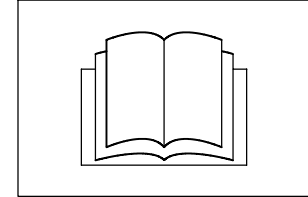
<b>WARNING</b>	
	Read and follow Operating Instructions before running engine.
	Gasoline is flammable. Allow engine to cool at least 2 minutes before refueling.
	Engines emit carbon monoxide, DO NOT run in enclosed area.
	Muffler area temperature may exceed 150°F. Do not touch hot parts.

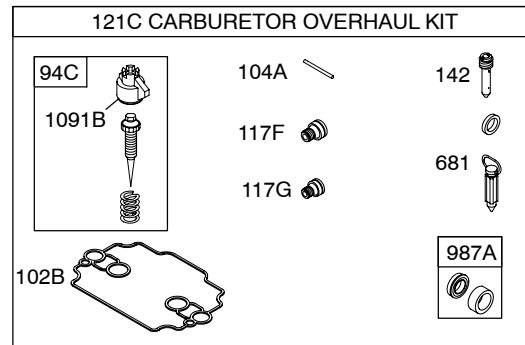
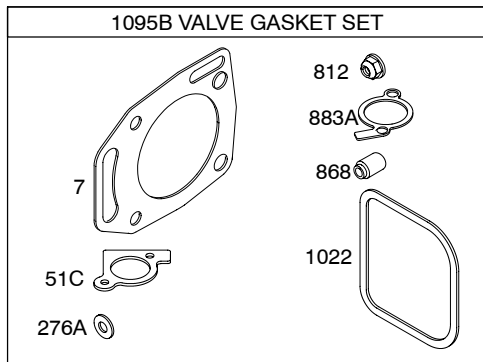
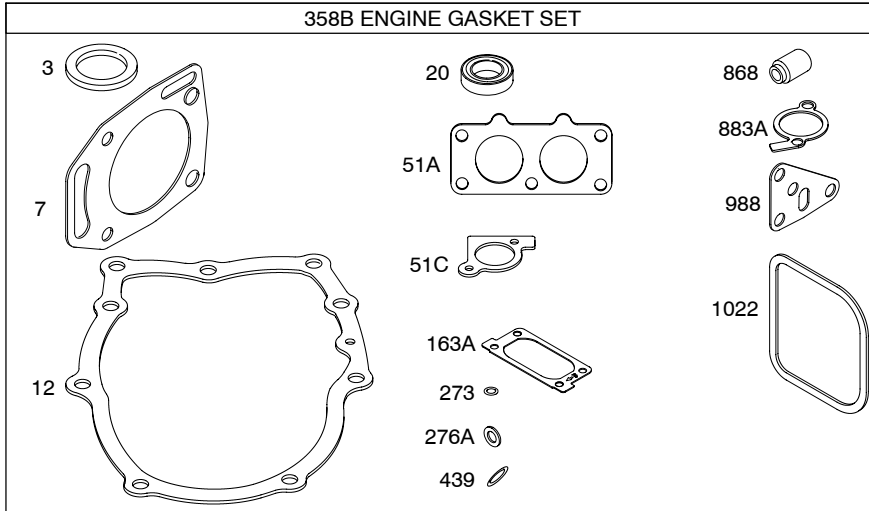
**REQUIRED** when replacing parts with warning labels affixed.

1058 OPERATOR'S MANUAL



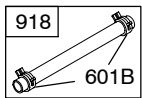
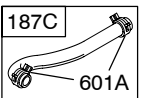
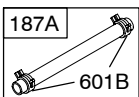
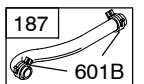
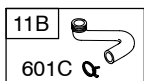
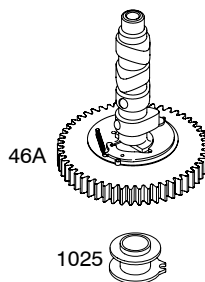
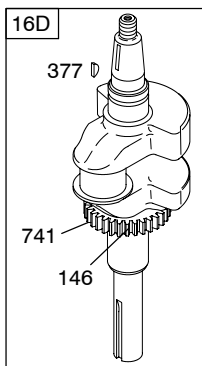
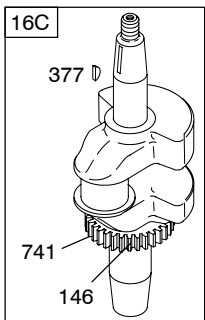
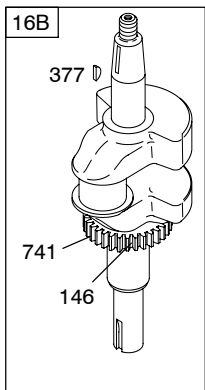
1330 REPAIR MANUAL



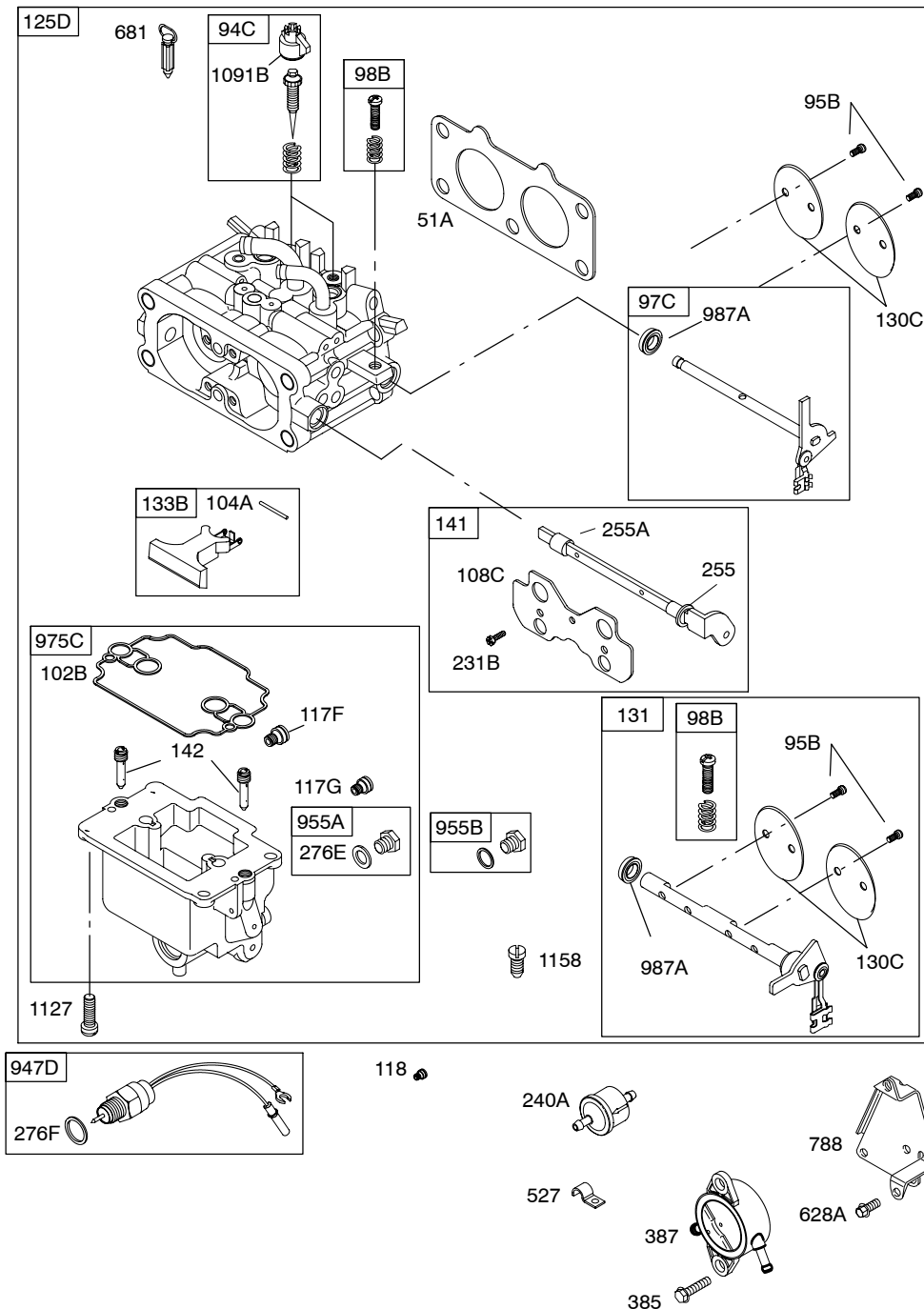


**Illustrations cover a range of engines. Parts shown without corresponding text may not be used on your specific engine.**  
**5312-3** Assemblies include all parts shown in frames. **09/24/2007**

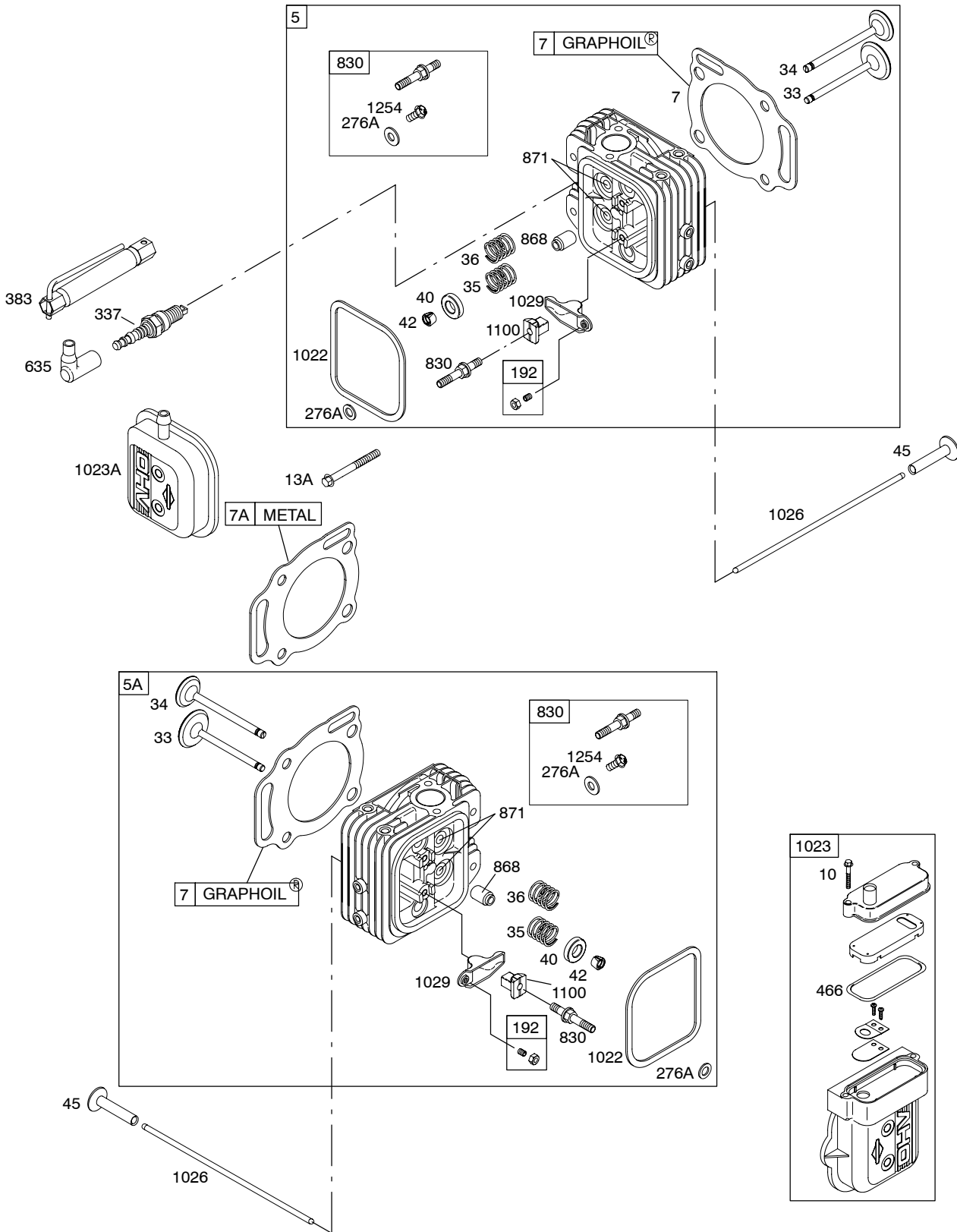
# 380700



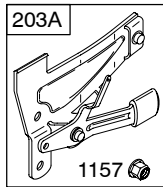
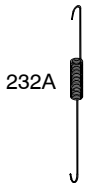
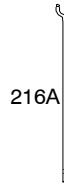
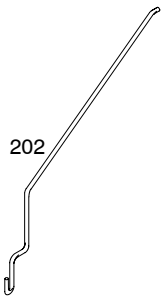
Illustrations cover a range of engines. Parts shown without corresponding text may not be used on your specific engine.  
5312-4 Assemblies include all parts shown in frames. 09/24/2007



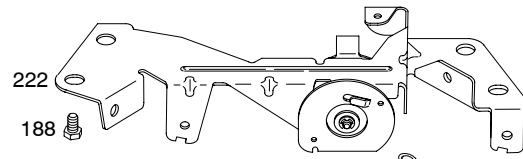
Illustrations cover a range of engines. Parts shown without corresponding text may not be used on your specific engine.  
 5312-5 Assemblies include all parts shown in frames. 09/24/2007



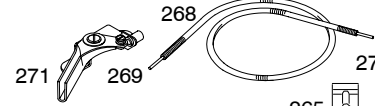
**Illustrations cover a range of engines. Parts shown without corresponding text may not be used on your specific engine.**  
**5312-6** Assemblies include all parts shown in frames. **09/24/2007**



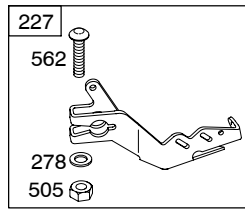
1157  
414  
204



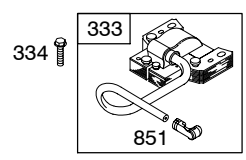
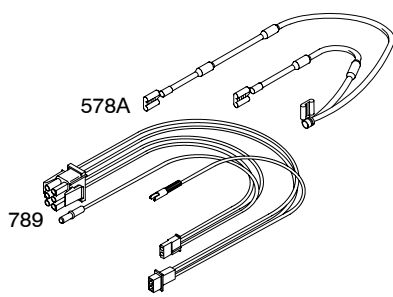
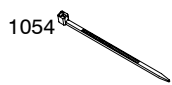
188



265  
267



562  
278  
505

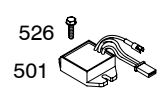


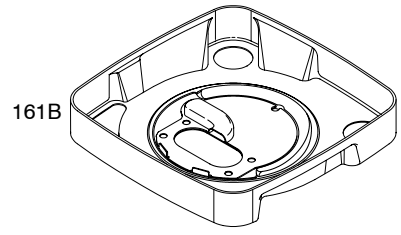
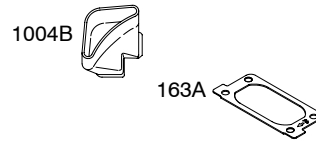
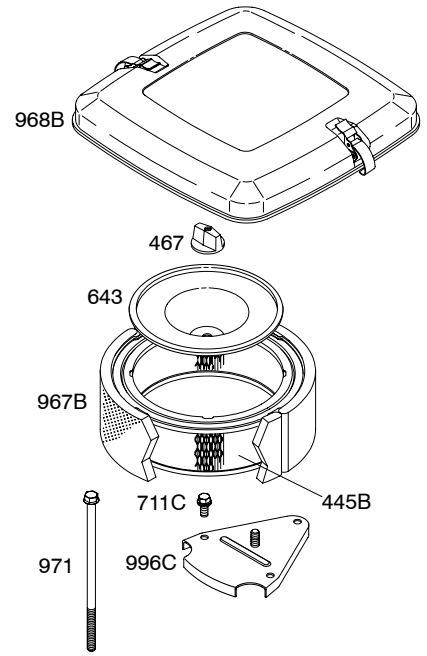
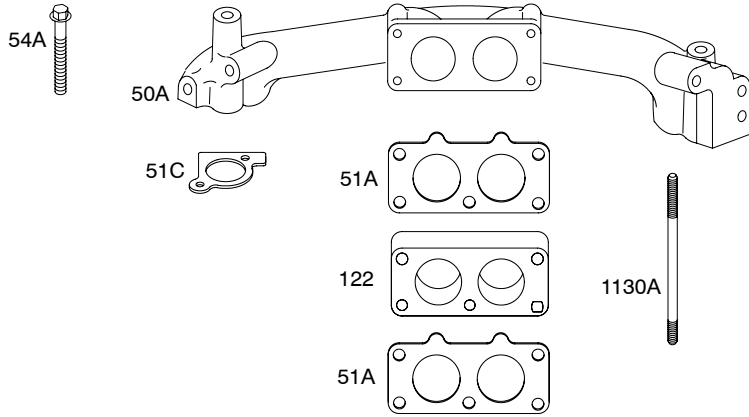
529

507  
520  
359  
373A

DC ONLY	10 - 16 AMP
<p>474A 877A</p>	<p>474D 877C 1059</p>
<p>578</p>	<p>578</p>

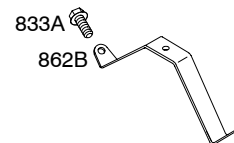
**NOTE:** All stators use a No. 1119 mounting screw.



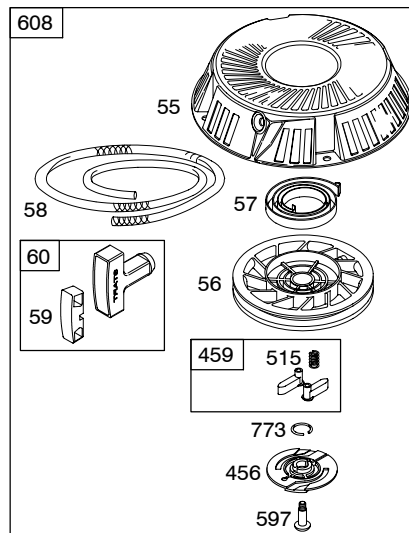
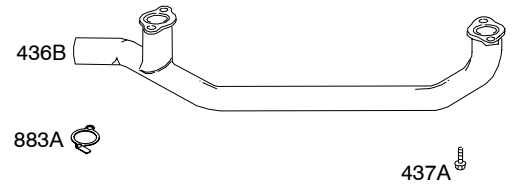
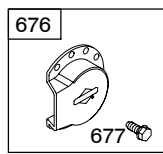
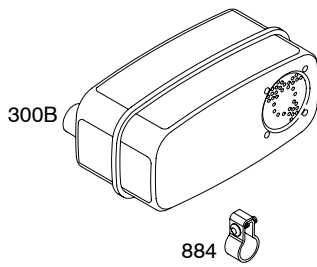


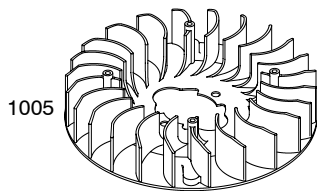
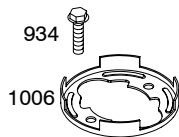
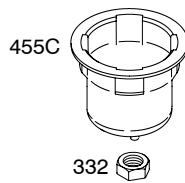
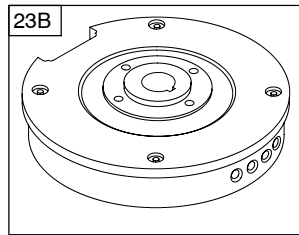
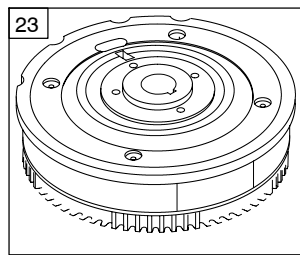
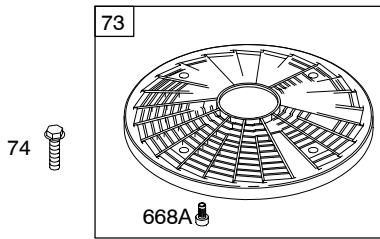
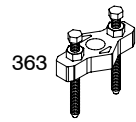
185

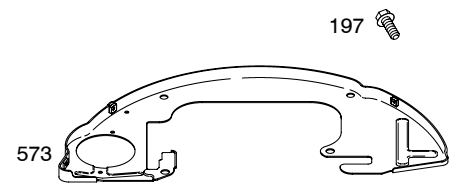
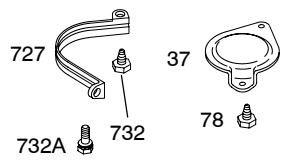
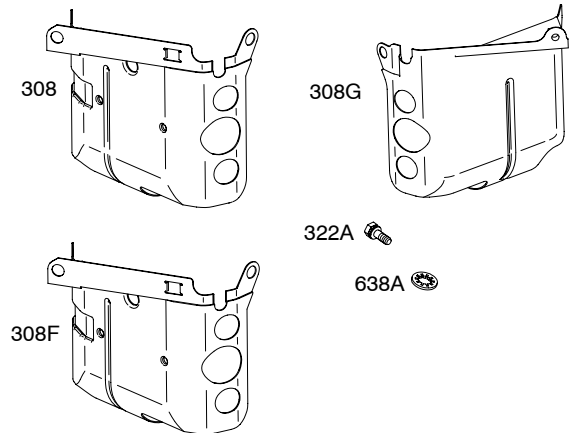
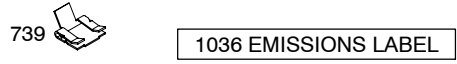
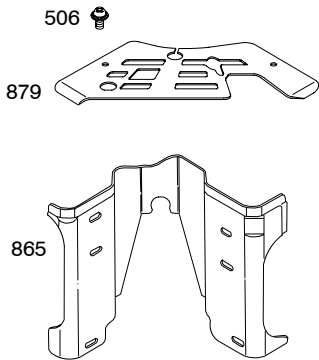
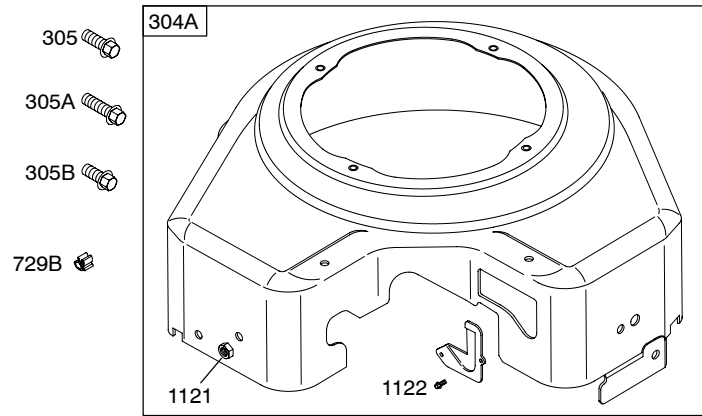
833





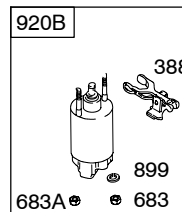
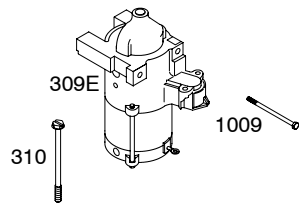
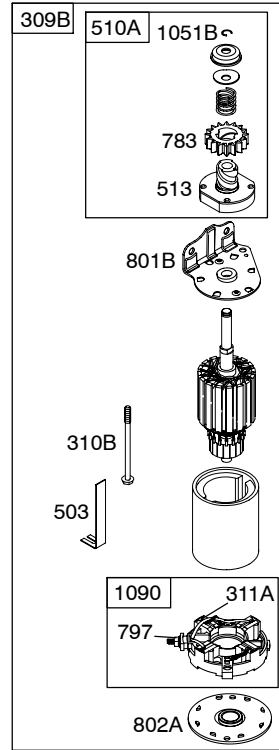
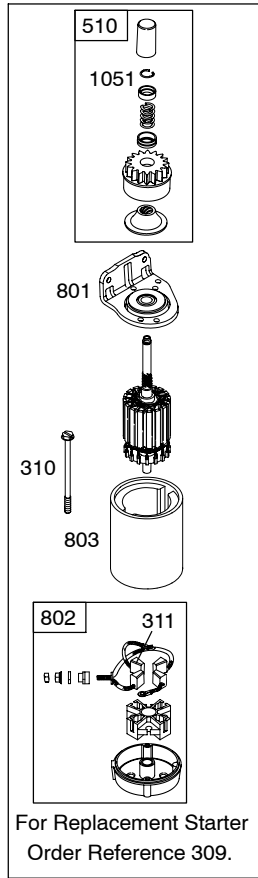
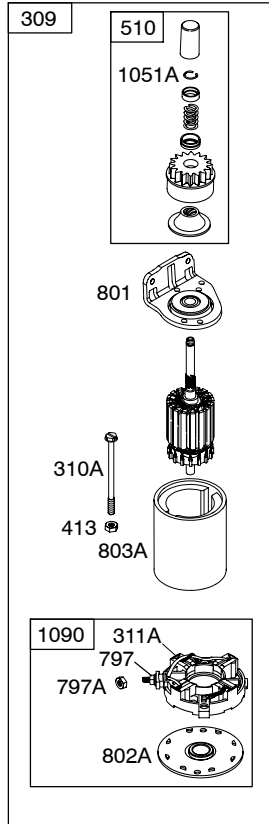




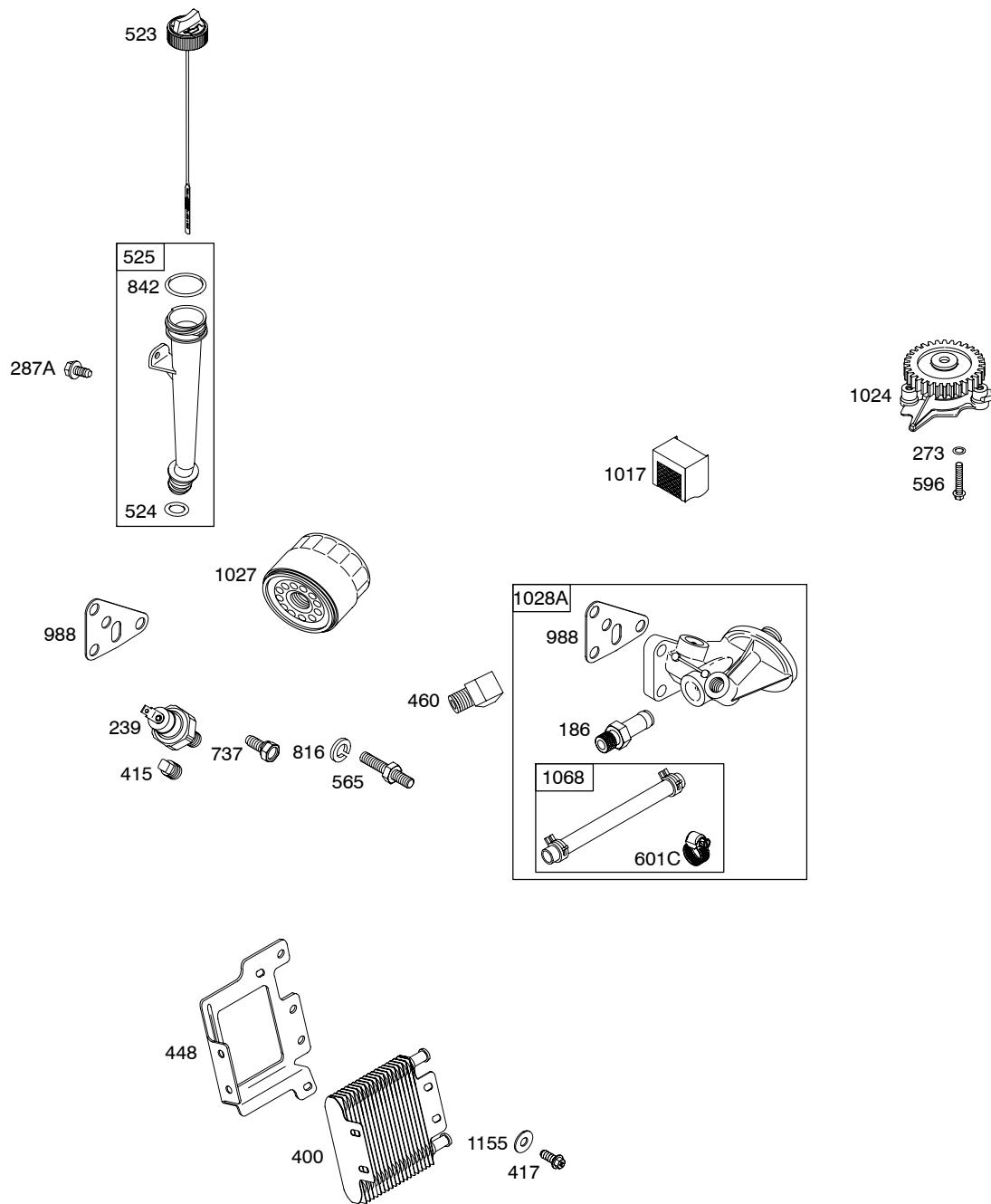




697  697A 



Illustrations cover a range of engines. Parts shown without corresponding text may not be used on your specific engine.  
5312-12 Assemblies include all parts shown in frames. 09/24/2007



**Illustrations cover a range of engines. Parts shown without corresponding text may not be used on your specific engine.**  
**5312-13** Assemblies include all parts shown in frames. **09/24/2007**

# 380700

REF. NO.	PART NO.	DESCRIPTION	REF. NO.	PART NO.	DESCRIPTION	REF. NO.	PART NO.	DESCRIPTION
1	842648	Cylinder Assembly (Used After Code Date 05073100) ----- <b>Note</b> ----- <b>808647</b> Cylinder Assembly (Used Before Code Date 05080100)	22	807362	Screw (Crankcase Cover/Sump)	55	691568	Housing-Rewind Starter
2	808534	Kit-Bushing/Seal (Magneto Side)	23	808768	Flywheel (Steel Ring Gear) ----- <b>Note</b> ----- <b>808776</b> Flywheel (Steel Ring Gear) Used on Type No(s). 0135.	56	692085	Pulley-Starter
3	*805101S	Seal-Oil (Magneto Side)	23B	690922	Flywheel (Rewind Start)	57	692086	Spring-Rewind Starter
4	808846	Sump-Engine	25B	808527	Piston Assembly (Standard) ----- <b>Note</b> ----- <b>808652</b> Piston Assembly (.020" Oversize)	58	66574	Rope-Starter (Cut To Required Length)
5	842656	Head-Cylinder (Cylinder 1)	26B	808528	Ring Set (Standard) ----- <b>Note</b> ----- <b>808661</b> Ring Set (.020" Oversize)	59	805957	Insert-Grip
5A	842657	Head-Cylinder (Cylinder 2)	27A	806378	Lock-Piston Pin	60	808167	Grip-Starter Rope
7	*Δ842622	Gasket-Cylinder Head (Graphoil)	28B	808526	Pin-Piston	65	691982	Screw (Rewind Starter)
7A	805653S	Gasket-Cylinder Head (Metal)	29A	808646	Rod-Connecting (Standard)	73	494439	Screen-Rotating
10	806421	Screw (Breather Cover)	32	690698	Screw (Connecting Rod)	74	691647	Screw (Rotating Screen)
11B	806379	Tube-Breather	33	806419	Valve-Exhaust	78	690688	Screw (Flywheel Guard)
12	*842589	Gasket-Crankcase	34	806420	Valve-Intake	94C	●842870	Kit-Idle Mixture
13A	842618	Screw (Cylinder Head) (Used After Code Date 05073100) ----- <b>Note</b> ----- <b>806865</b> Screw (Cylinder Head) (Used Before Code Date 05080100)	35	692084	Spring-Valve (Intake)	95B	690718	Screw (Throttle Valve)
15	690946	Plug-Oil Drain	36	692084	Spring-Valve (Exhaust)	97C	808719	Shaft-Throttle
15A	691680	Plug-Oil Drain Used on Type No(s). 0135.	37	841309	Guard-Flywheel (Black)	98B	808177	Kit-Idle Speed
16B	809809	Crankshaft (Used After Code Date 03043000). Used on Type No(s). 0036, 0138, 0140. ----- <b>Note</b> ----- <b>809807</b> Crankshaft (Used Before Code Date 03050100). Used on Type No(s). 0036, 0138, 0140.	40	692058	Retainer-Valve	102B	●693711	Gasket-Carburetor Body
16C	809830	Crankshaft	42	807683	Keeper-Valve	104A	●690882	Pin-Float Hinge
16D	809840	Crankshaft Used on Type No(s). 0143.	45	690977	Tappet-Valve	108C	809643	Valve-Choke
20	*805049S	Seal-Oil (PTO Side)	46A	690927	Camshaft	109	809710	Shaft-Choke
			50A	806376	Manifold-Intake ----- <b>Note</b> ----- <b>808810</b> Manifold-Intake Used on Type No(s). 0138.	117F	●806374	Jet-Main (Standard)(Cylinder 1)
			51A	*690950	Gasket-Intake (Manifold/Carburetor Spacer)	117G	●806373	Jet-Main (Standard)(Cylinder 2)
			51C	*Δ806418	Gasket-Intake (Manifold/Heads)	118	842291	Jet-Main (High Altitude) (Left or Cylinder 1) ----- <b>Note</b> ----- <b>842439</b> Jet-Main (High Altitude) (Right Or Cylinder 2)
			54A	806444	Screw (Intake Manifold)	121C	842875	Kit-Carburetor Overhaul
						122	690870	Spacer-Carburetor
						125D	808604	Carburetor
						130C	690884	Valve-Throttle
						131	809718	Kit-Throttle Shaft
						133B	808180	Float-Carburetor
						141	809710	Kit-Choke Shaft
						142	●806375	Nozzle-Carburetor (Standard)
						146	691639	Key-Timing
						161B	808676	Base-Air Cleaner (Metal)
						163A	*692087	Gasket-Air Cleaner (Used With Metal Air Cleaner Base)

\* Included in Engine Gasket Set-Ref. No. 358B.

● Included in Carburetor Overhaul Kit-Ref. No. 121C.

Δ Included in Valve Gasket Set-Ref. No. 1095B.

**Illustrations cover a range of engines. Parts shown without corresponding text may not be used on your specific engine.**

REF. NO.	PART NO.	DESCRIPTION	REF. NO.	PART NO.	DESCRIPTION	REF. NO.	PART NO.	DESCRIPTION
185	690939	Nut (Air Cleaner Base)	211	692069	Spring-Governed Idle	287A	807084	Screw (Dipstick Tube)
186	693184	Connector-Hose	216A	690871	Link-Choke	300B	498984S	Muffler Used on Type No(s). 0135.
187	791766	Line-Fuel (Cut To Required Length) (Used After Code Date 05063000)	222	808454	Bracket-Control	304A	808658	Housing-Blower (Red) ----- Note -----
		----- Note ----- 691050 Line-Fuel (Cut To Required Length) (Used Before Code Date 05070100)	227	690236	Lever-Governor Control			808651 Housing- Blower (Black)
187A	791745	Line-Fuel (Cut To Required Length) (Used After Code Date 05063000)	231B	690718	Screw (Choke Valve)	305	692056	Screw (Blower Housing) (14mm)
		----- Note ----- 296004 Line-Fuel (Cut To Required Length) (Used Before Code Date 05070100)	232A	690874	Spring-Governor Link	305A	692062	Screw (Blower Housing) (18mm Long)
			234	691723	Clip-Control Rod	305B	841233	Screw (Blower Housing) (12 mm)
187C	791801	Line-Fuel (Molded) (Used After Code Date 05063000)	240A	691035	Filter-Fuel (Includes Paper Element With A 40 Micron Rating)	308	841232	Cover-Cylinder Head (Cylinder 1)
		----- Note ----- 691049 Line-Fuel (Molded) (Used Before Code Date 05070100)	255	809638	Bushing-Choke Shaft	308F	841182	Cover-Cylinder Head (Cylinder 2) (Used After Code Date 03103100)
188	692056	Screw (Control Bracket)	255A	809644	Bushing-Choke Shaft	308G	806546	Cover-Cylinder Head (Cylinder 2) (Used After Code Date 98111300 and Before Code Date 03110100)
192	807623	Adjuster-Rocker Arm	265	691024	Clamp-Casing			----- Note ----- 692805 Cover- Cylinder Head (Cylinder 2) (Used Before Code Date 98120100)
197	807163	Screw (Back Plate)	267	692083	Screw (Casing Clamp)	309	691564	Motor-Starter (Steel Ring Gear Only)
202	690867	Link-Mechanical Governor	268	691025	Casing-Control Wire (Cut To Required Length)	309B	499521	Motor-Starter (Services Aluminum Ring Gear Only)
203A	808753	Crank-Bell	269	691026	Wire-Control (Cut To Required Length)	309E	808726	Motor-Starter Used on Type No(s). 0142.
204	692884	Bushing-Lever	270	691027	Nut (Control Wire Casing)	310	496880	Screw (Starter Motor)
209	692070	Spring-Governor (Red) ----- Note ----- 692071 Spring- Governor (White) Used on Type No(s). 0036, 0131, 0135, 0140.	271	691028	Lever-Control	310A	690323	Screw (Starter Motor)
			273	★690681	Seal-O Ring (Oil Pump)			
			276	690704	Washer-Sealing (Crankcase Cover/Sump)			
			276A	★△807085	Washer-Sealing (Rocker Cover) (Used After Code Date 01120200)			
					----- Note ----- 691766 Washer- Sealing (Rocker Cover) (Used Before Code Date 01120300)			
			276E	690724	Washer-Sealing (Carburetor Plug)			
			276F	693497	Washer-Sealing			
			278	842122	Washer (Governor Control Lever)			

★ Included in Engine Gasket Set-Ref. No. 358B.

● Included in Carburetor Overhaul Kit-Ref. No. 121C.

△ Included in Valve Gasket Set-Ref. No. 1095B.

**Illustrations cover a range of engines. Parts shown without corresponding text may not be used on your specific engine.**

# 380700

REF. NO.	PART NO.	DESCRIPTION	REF. NO.	PART NO.	DESCRIPTION	REF. NO.	PART NO.	DESCRIPTION
310B	691263	Screw (Starter Motor)	456	691529	Plate-Pawl Friction	608	692102	Starter-Rewind
311		Brush Set (Order End Cap 496813, Ref. No. 802)	459	808166	Pawl-Ratchet	613	690297	Screw (Muffler)
311A	497608	Brush Set	460	806667	Connector-Filter Adapter	615	691550	Retainer-Governor Shaft
322A	841233	Screw (Cylinder Head Cover)	466	806466	Seal-O Ring (Breather Assembly)	616	806685	Crank-Governor (Used After Code Date 99072000)
332	690887	Nut (Flywheel)	467	691985	Knob-Air Cleaner	616A	690899	Crank-Governor (Used Before Code Date 99072100)
333	492341	Armature-Magneto	474A	696578	Alternator (DC Only)	628A	806660	Screw (Fuel Pump Bracket)
334	692066	Screw (Magneto Armature)	474D	696458	Alternator (10 To 16 Amp Regulated)	635	692076	Boot-Spark Plug
337	491055S	Plug-Spark ----- Note ----- 792015 Plug-Spark Used on Type No(s). 0024, 0036, 0131, 0135, 0140.	501	691185	Regulator (3 Wire)(16 Amp)	638A	691551	Washer (Cylinder Head Cover) (Used Before Code Date 03110100)
357	691483	Key-Drive Pulley Used on Type No(s). 0135.	503	691532	Strap-Starter	643	692079	Retainer-Air Filter
358B	808617	Gasket Set-Engine	505	690238	Nut (Governor Control Lever)	668A	691500	Spacer (Knurled Insert)
359	691077	Washer (Ground Terminal)	506	690677	Screw (Carburetor Cover)	676	393761	Deflector-Muffler
363	19203	Puller-Flywheel	507	691972	Insulator	677	690661	Screw (Muffler Deflector)
373A	691612	Nut (Ground Terminal)	510	496881	Drive-Starter	681	808798	Kit-Needle/Seat
377	808095	Key-Woodruff	510A	696541	Drive-Starter	683	820809	Nut (Starter Solenoid)
383	19576	Wrench-Spark Plug	513	692024	Clutch-Drive	683A	820813	Nut (Starter Solenoid)
385	807084	Screw (Fuel Pump)	515	691528	Spring-Pawl	691	690680	Seal-Governor Shaft
387	808656	Pump-Fuel	520	691084	Terminal-Ground (Brass)	697	692062	Screw (Drive Cap)
388	820799	Lever-Pinion Drive	523	692101	Dipstick	697A	691902	Screw (Drive Cap)
400	808657	Cooler-Oil	524	692053	Seal-Dipstick Tube	711C	691492	Screw (Carburetor Shield)
413	693587	Nut (Starter Motor)	525	692093	Tube-Dipstick	718B	806469	Pin-Locating
414	690344	Washer (Bell Crank)	526	692067	Screw (Regulator)	727	841313	Cover-Starter Drive (Black)
415	690283	Plug (Square Head)	527	690423	Clamp-Tube	729B	690586	Clip-Wire (Snap In)(Nylon)
417	810074	Screw (Oil Cooler)	529	690744	Grommet	732	690688	Screw (Starter Drive Cover)
436B	808909	Manifold-Exhaust Used on Type No(s). 0135.	552	690701	Bushing-Governor Crank	732A	841233	Screw (Starter Drive Cover)
437A	691902	Screw (Exhaust Manifold)	552A	806686	Bushing-Governor Crank	737	690679	Screw (Oil Filter Adapter)
439	692154	Seal-O Ring (Crankcase Cover/Sump)	562	690239	Bolt (Governor Control Lever)	739	690451	Clip-Debris
445B	692519	Filter-Air Cleaner Cartridge (Round)	565	690682	Stud (Oil Filter Adapter)	741	691530	Gear-Timing
448	806423	Bracket-Oil Cooler	573	841310	Plate-Back	748	692083	Screw (Control Rod Clip)
455C	690864	Cup-Flywheel	578	692306	Wire Assembly	773	690875	Retainer (Pawl Friction Plate)
			578A	692319	Wire Assembly (With Diodes)	783	695708	Gear-Pinion (Services Aluminum Ring Gear Only)
			596	691492	Screw (Oil Pump)			
			597	690876	Screw (Pawl Friction Plate)			
			601A	691038	Clamp-Hose (Black)			
			601B	791850	Clamp-Hose (Silver)			
			601C	691145	Clamp-Hose (Silver)			

★ Included in Engine Gasket Set-Ref. No. 358B.

● Included in Carburetor Overhaul Kit-Ref. No. 121C.

△ Included in Valve Gasket Set-Ref. No. 1095B.

**Illustrations cover a range of engines. Parts shown without corresponding text may not be used on your specific engine.**



REF. NO.	PART NO.	DESCRIPTION	REF. NO.	PART NO.	DESCRIPTION	REF. NO.	PART NO.	DESCRIPTION
788	691559	Bracket-Fuel Pump	920B	825418	Solenoid-Starter Used on Type No(s). 0142.	1027	492932S	Filter-Oil (2 1/4" Long)
789	698332	Harness-Wiring Used on Type No(s). 0142.	934	691058	Screw (Fan Retainer)	1028A	808537	Adapter-Oil Filter
797	693167	Nut (Brush Retainer)	947D	808624	Solenoid-Fuel ----- Note ----- 809632 Solenoid- Fuel	1029	807323	Arm-Rocker
797A	691029	Nut (Brush Retainer)			Used on Type No(s). 0024, 0036, 0100, 0131, 0135, 0138, 0140, 0142, 0143.	1036		Label-Emissions (Available from an Authorized Briggs & Stratton Service Dealer)
801	808778	Cap-Drive	955A	807723	Plug-Carburetor (M9)	1051	690736	Ring-Retaining
801B	691283	Cap-Drive	955B	808176	Plug-Carburetor (M12)	1051A	691124	Ring-Retaining
802	496813	Cap-End	967B	692520	Filter-Pre Cleaner (Round)	1051B	691265	Ring-Retaining
802A	691286	Cap-End	968B	808654	Cover-Air Cleaner (Used With Metal Air Cleaner Base)	1054	280275	Tie-Cable
803	690854	Housing-Starter	971	690866	Screw (Air Cleaner Base to Carburetor)	1058	277107	Operator's Manual
803A	693547	Housing-Starter	975C	808628	Bowl-Float	1068	841999	Hose/Clamp Assembly
812	Δ692055	Nut (Rocker Cover) (Used Before Code Date 01120300).	987A	●691000	Seal-Throttle Shaft	1090	691293	Retainer-Brush ----- Note ----- 825412 Retainer- Brush
816	690706	Washer (Oil Filter Adapter)	988	★692063	Gasket-Oil Adapter			Used on Type No(s). 0142.
830	809157	Stud-Rocker Arm	996C	690917	Shield-Carburetor	1091B	●691516	Cap-Limiter
833	807084	Screw (Air Cleaner Mounting Strap/Stud)	1004B	690865	Duct-Air (Used With Metal Air Cleaner Base)	1095B	842659	Gasket Set-Valve
833A	841233	Screw (Air Cleaner Mounting Strap/Stud)	1005	690911	Fan-Flywheel	1100	791959	Pivot-Rocker Arm
842	691870	Seal-O Ring (Dipstick Tube)	1006	690452	Retainer-Fan	1119	691552	Screw (Alternator)
851	493880S	Terminal-Spark Plug	1009	806474	Screw (Starter Motor) Used on Type No(s). 0142.	1121	810056	Nut (Fuel Pump Bracket)
862B	806440	Strap/Stud-Air Cleaner Mounting	1017	690878	Screen-Oil Pump	1122	93410	Screw (Blower Housing Adapter)
865	841312	Cover-Air Guide (Black)	1022★Δ806039S		Gasket-Rocker Cover	1127	690885	Screw (Float Bowl) (Mount Float Bowl To Carburetor Body)
868	★Δ691963	Seal-Valve	1023	808648	Cover-Rocker (Includes Breather Assembly)	1130A	690869	Stud (Intake Manifold)
871	692057	Bushing-Valve Guide	1023A	691558	Cover-Rocker (Cylinder 1) (With Fuel Pump)	1135	806497	Washer (Crankcase Cover/Sump)
877A	393814	Wire/Connector- Alternator (DC Only)	1024	693186	Pump-Oil	1155	806647	Washer (Oil Cooler)
877C	399916	Wire/Connector- Alternator (2 Wires, 7-53/64" Long)(2 Bare Wire Ends, And Insulated Snap Connect Male Pin Terminal)	1025	690689	Spool-Governor	1157	806447	Nut (Bell Crank)
879	842829	Cover-Carburetor	1026	691836	Rod-Push (Intake)(Steel) ----- Note ----- 691758 Rod-Push (Exhaust)(Aluminum)	1158	807468	Screw (Carburetor Plug)
883A	★Δ806425	Gasket-Exhaust				1254	807084	Screw (Rocker Cover Stud) (Used After Code Date 01120200)
884	691956	Clamp-Muffler				1319	794467	Label-Warning
899	820811	Washer (Starter Solenoid)				1330	272144	Repair Manual
918	393815	Hose-Vacuum (Cut To Required Length)						

★ Included in Engine Gasket Set-Ref. No. 358B.

● Included in Carburetor Overhaul Kit-Ref. No. 121C.

Δ Included in Valve Gasket Set-Ref. No. 1095B.

**Illustrations cover a range of engines. Parts shown without corresponding text may not be used on your specific engine.**