



Illustrated Parts List

Model Series

385700

TYPE NUMBERS
0100, 0108, 0110, 0111, 0112, 0114, 0115,
0116, 0117, 0118, 0119, 0123, 0124, 0126, 0349.

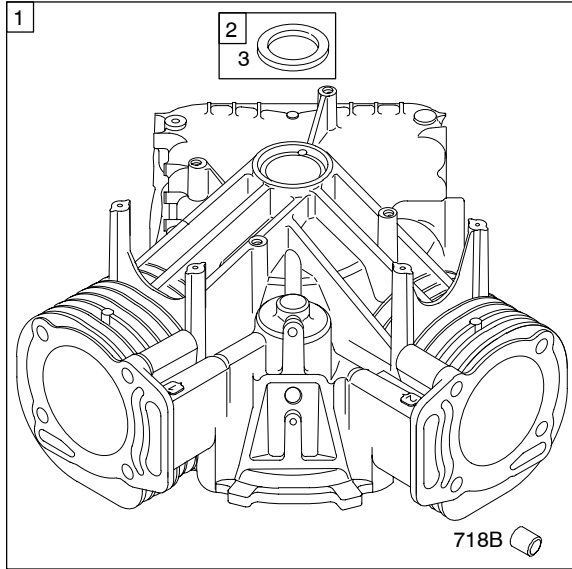
TABLE OF CONTENTS

Air Cleaner	6
Alternator	5
Blower Housing	8
Camshaft	2
Carburetor	3
Carburetor Overhaul Kit	3
Controls	5
Crankshaft	2
Crankcase Cover/Sump	2
Cylinder	2
Cylinder Head	4
Electric Starter	9
Engine Gasket Set	2
Exhaust System	7
Flywheel	7
Fuel Supply	3
Ignition	5
Intake Manifold	6
Lubrication	10
Piston/Rings/Connecting Rod	2
Shrouds	8
Springs	5
Valve Gasket Set	4

PRINTED IN U.S.A.

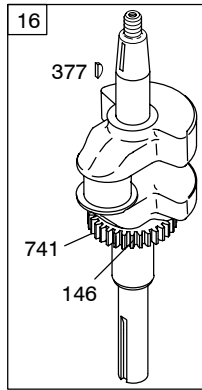


COPYRIGHT by BRIGGS & STRATTON CORPORATION
All rights reserved. No part of this material may be reproduced or transmitted,
in any form or by any means, electronic or mechanical, including photocopying,
recording or by any information storage and retrieval system, without permission
in writing from Briggs & Stratton Corporation.

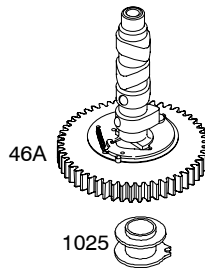


415

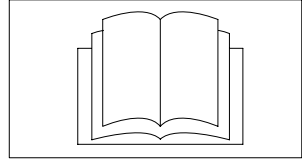
239



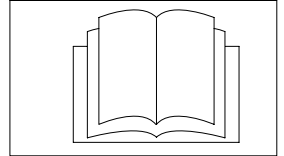
357



1058 OPERATOR'S MANUAL



1330 REPAIR MANUAL

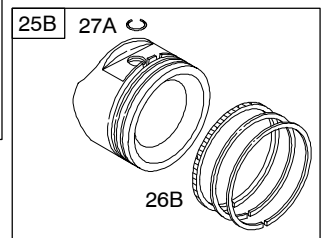
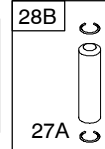
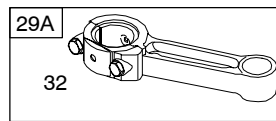
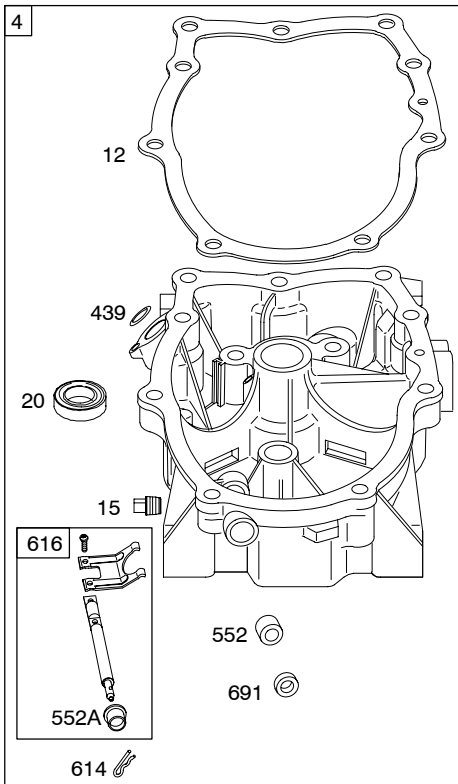


1319 WARNING LABEL

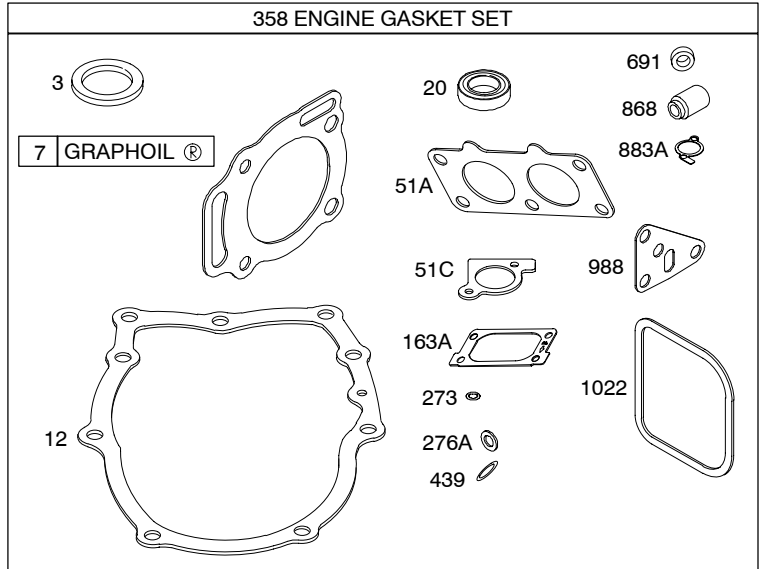
WARNING

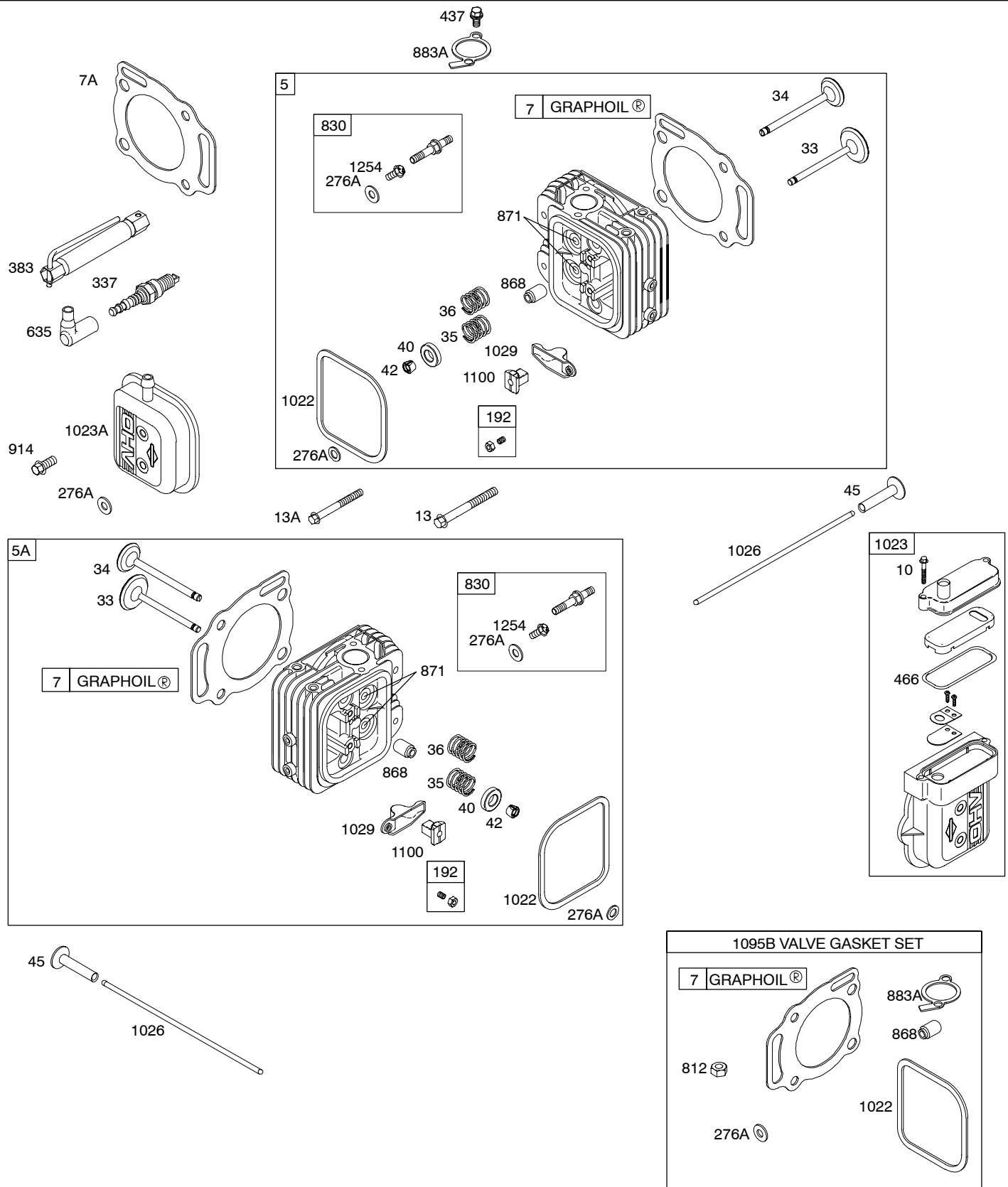
- Read and follow Operating Instructions before running engine.
- Gasoline is flammable. Allow engine to cool at least 2 minutes before refueling.
- Engines emit carbon monoxide, DO NOT run in enclosed area.
- Muffler area temperature may exceed 150°F. Do not touch hot parts.

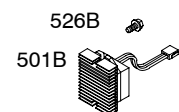
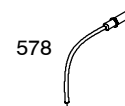
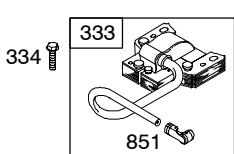
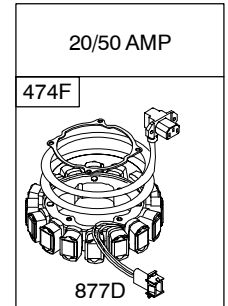
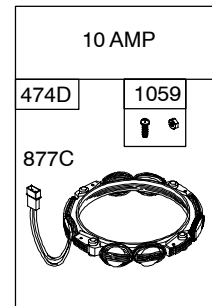
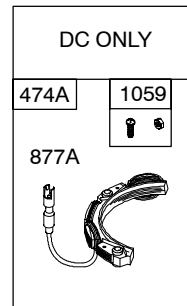
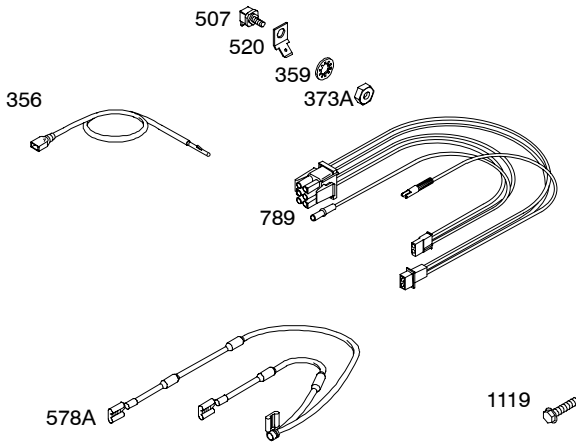
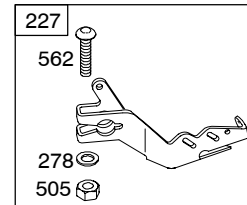
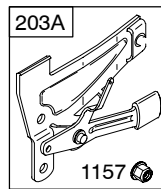
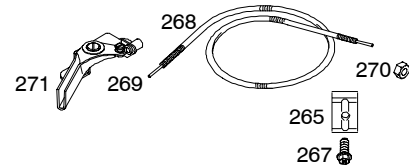
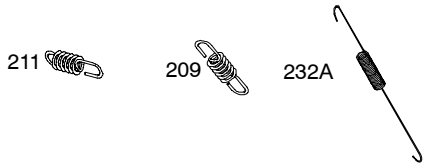
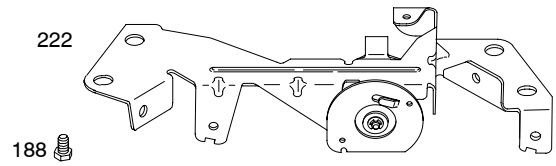
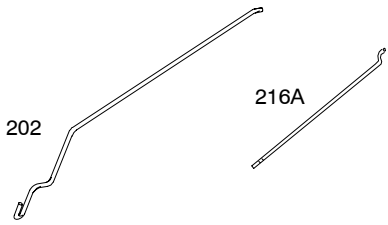
REQUIRED when replacing parts with warning labels affixed.

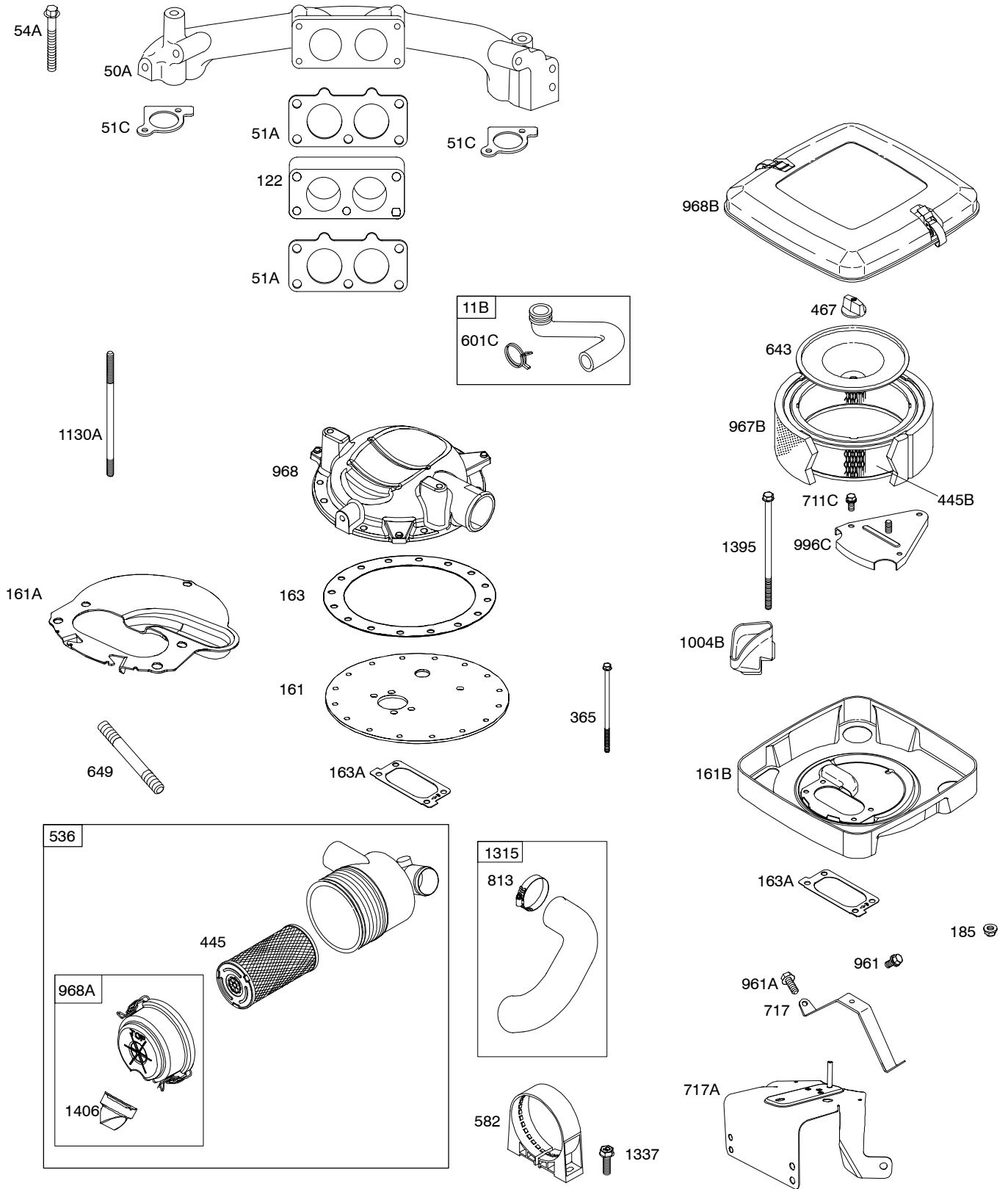


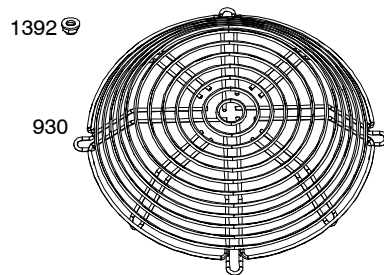
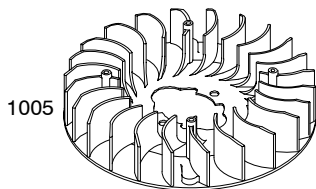
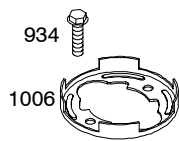
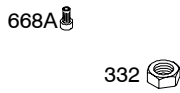
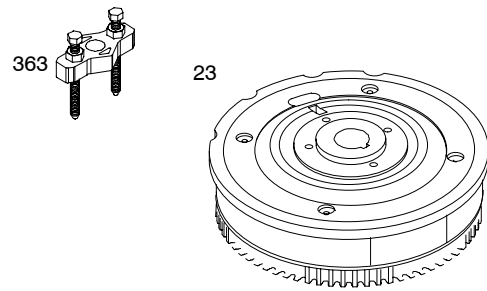
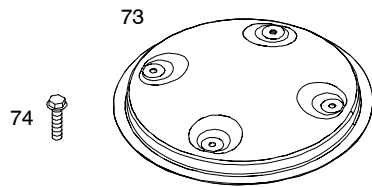
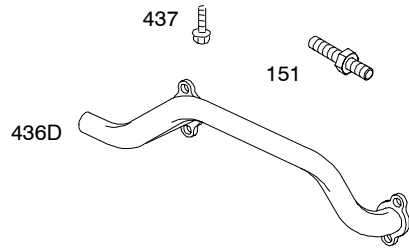
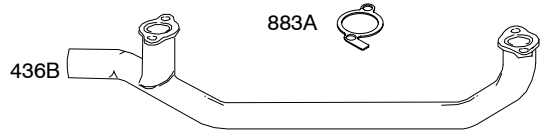
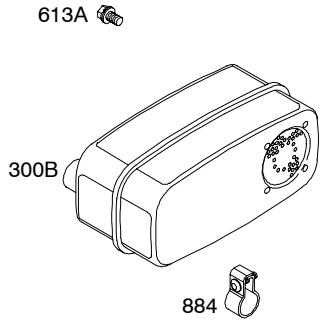
358 ENGINE GASKET SET



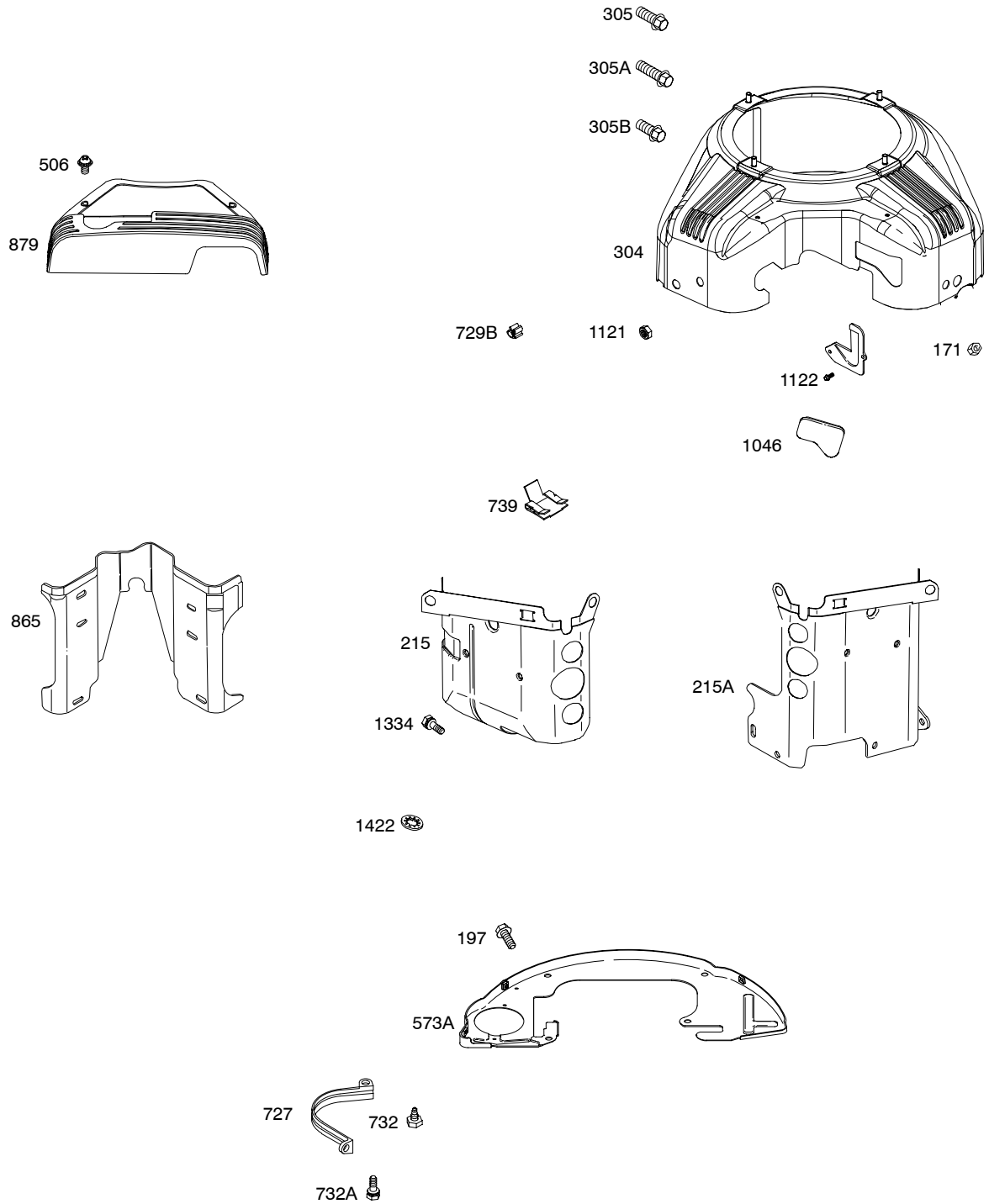


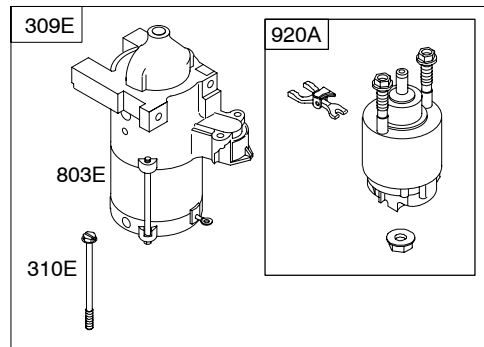
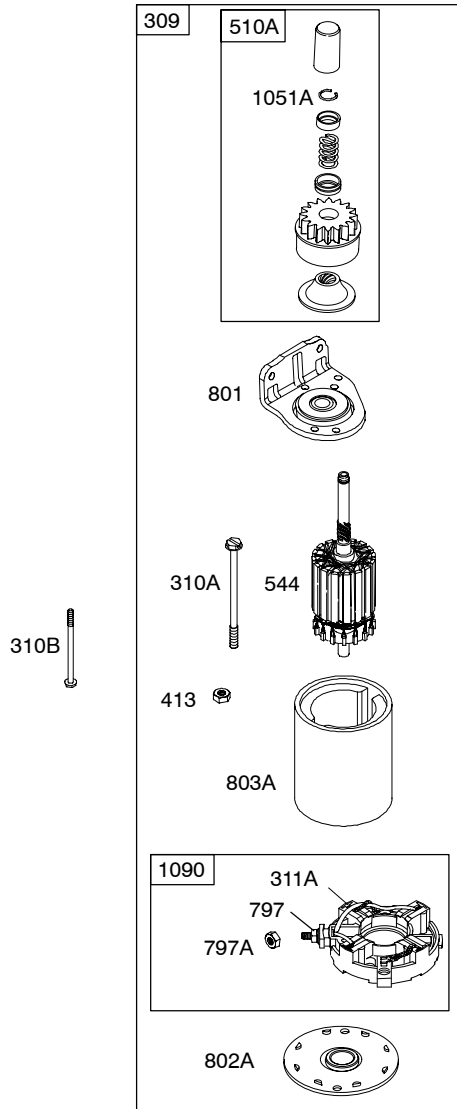


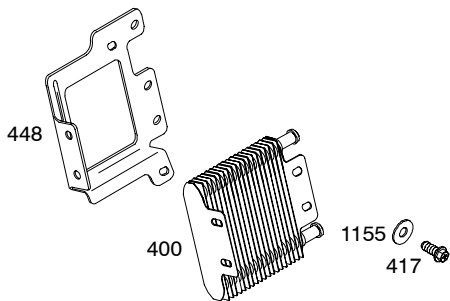
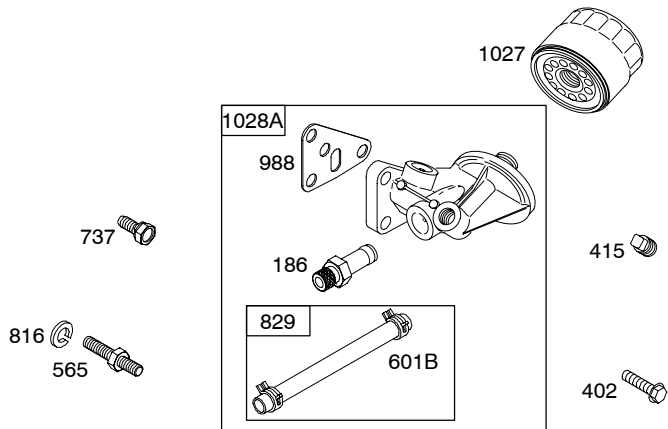
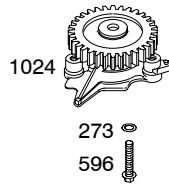
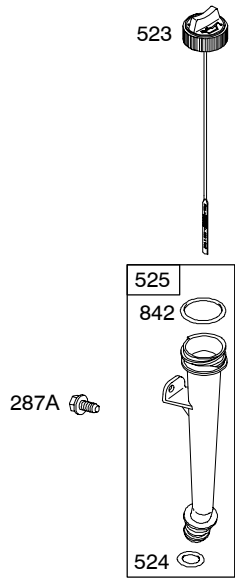




1036 EMISSIONS LABEL







REF. NO.	PART NO.	DESCRIPTION	REF. NO.	PART NO.	DESCRIPTION	REF. NO.	PART NO.	DESCRIPTION
1	842648	Cylinder Assembly (Used After Code Date 05073100). ----- Note ----- 808647 Cylinder Assembly (Used Before Code Date 05080100).	23	809236	Flywheel ----- Note ----- 841728 Flywheel Used on Type No(s). 0110, 0118, 0123. 842442 Flywheel Used on Type No(s). 0124, 0126.	95B	690718	Screw (Throttle Valve) ----- Note ----- 690728 Screw (Throttle Valve) Used on Type No(s). 0114, 0124, 0126.
2	808534	Kit-Bushing/Seal (Magneto Side)	25B	808527	Piston Assembly (Standard) ----- Note ----- 808652 Piston Assembly (.020" Oversize)	98	809716	Kit-Idle Speed
3	805101S	Seal-Oil (Magneto Side)	26B	808528	Ring Set (Standard) ----- Note ----- 808661 Ring Set (.020" Oversize)	104	690739	Pin-Float Hinge
4	808846	Sump-Engine	27A	806378	Lock-Piston Pin	105	809759	Valve-Float Needle
5	842656	Head-Cylinder (Cylinder #1)	28B	808526	Pin-Piston	108	809643	Valve-Choke
5A	842657	Head-Cylinder (Cylinder #2)	29A	808646	Rod-Connecting (Standard)	109	809710	Shaft-Choke
7	842622	Gasket-Cylinder Head (Graphoil®) (Used After Code Date 05073100).	32	690698	Screw (Connecting Rod)	117	809708	Jet-Main (Standard) (Left and Right Jets)
7A	806377	Gasket-Cylinder Head (Used Before Code Date 05080100).	33	806419	Valve-Exhaust	117A	842449	Jet-Main (Standard) (Left Jet) Used on Type No(s). 0114, 0124, 0126. ----- Note ----- 809708 Jet-Main (Standard) (Right Jet) Used on Type No(s). 0114, 0124, 0126.
10	806421	Screw (Breather Cover)	34	806420	Valve-Intake	118	842449	Jet-Main (High Altitude) (5000 Feet)
11B	806379	Tube-Breather	35	692084	Spring-Valve (Intake)	118A	809723	Jet-Main (High Altitude) (5000 Feet) (Left Jet) Used on Type No(s). 0114, 0124, 0126. ----- Note ----- 842449 Jet-Main (High Altitude) (5000 Feet) (Right Jet) Used on Type No(s). 0114, 0124, 0126.
12	842589	Gasket-Crankcase	36	692084	Spring-Valve (Exhaust)			
13	842618	Screw (Cylinder Head) (M8x106mm Long) (Used After Code Date 05073100).	40	692058	Retainer-Valve			
13A	806865	Screw (Cylinder Head) (M8x86mm Long) (Used Before Code Date 05080100).	42	807683	Keeper-Valve			
15	690946	Plug-Oil Drain	45	843379	Tappet-Valve			
15A	691680	Plug-Oil Drain	46A	690927	Camshaft			
16	809809	Crankshaft ----- Note ----- 809830 Crankshaft Used on Type No(s). 0100, 0111, 0114, 0118, 0124, 0126. 809840 Crankshaft Used on Type No(s). 0116.	50A	806376	Manifold-Intake			
20	805049S	Seal-Oil (PTO Side)	51A	690950	Gasket-Intake			
22	807362	Screw (Crankcase Cover/Sump)	51C	806418	Gasket-Intake (Manifold/Heads)			
			54A	806444	Screw (Intake Manifold)			
			73	841440	Screen-Rotating			
			74	841441	Screw (Rotating Screen)			
			94	842613	Kit-Idle Mixture ----- Note ----- 842883 Kit-Idle Mixture Used on Type No(s). 0114, 0124, 0126.			

Engine Gasket Set-Reference 358
Carburetor Overhaul Kit-Reference 121D

Valve Gasket Set-Reference 1095B

385700

REF. NO.	PART NO.	DESCRIPTION	REF. NO.	PART NO.	DESCRIPTION	REF. NO.	PART NO.	DESCRIPTION
121D	842261	Kit-Carburetor Overhaul	192	807623	Adjuster-Rocker Arm	276	690704	Washer-Sealing (Governor Crank)
122	690870	Spacer-Carburetor	202	690867	Link-Mechanical Governor	276A	807085	Washer-Sealing (Rocker Cover)
125B	841412	Carburetor	203A	808753	Crank-Bell	276B	806476	Washer-Sealing (Fuel Solenoid)
		----- Note -----	209	692071	Spring-Governor (White)	278	842122	Washer (Governor Control Lever)
130	809642	Valve-Throttle			----- Note -----	287A	807084	Screw (Dipstick Tube)
131	842068	Kit-Throttle Shaft			692070 Spring-Governor (Red)	300B	498984S	Muffler Used on Type No(s). 0108, 0110, 0123.
133B	809637	Float-Carburetor			Used on Type No(s). 0100, 0108, 0112, 0115, 0116, 0123.	304	841489	Housing-Blower
137	809645	Gasket-Float Bowl			690710 Spring-Governor (Silver)	305	692056	Screw (Blower Housing) (14mm Long)
142D	809709	Nozzle-Carburetor (Standard)			Used on Type No(s). 0111, 0114, 0119, 0124.	305A	692062	Screw (Blower Housing) (18mm Long)
146	691639	Key-Timing	211	692069	Spring-Governed Idle	305B	841233	Screw (Blower Housing) (12 mm Long)
147	841920	Jet-Pilot	215	841183	Guide-Air (Cylinder #2)	309	691564	Motor-Starter (Steel Ring Gear Only)
		Used on Type No(s). 0114, 0124, 0126.	215A	841182	Guide-Air (Cylinder #1)	309E	808726	Motor-Starter Used on Type No(s). 0124, 0126.
151	841185	Stud (Exhaust Manifold)	216A	690871	Link-Choke	310A	690323	Screw (Starter Motor) (#10-24x4 7/16" Long)
161	843563	Base-Air Cleaner Used on Type No(s). 0114, 0124, 0126.	222	808454	Bracket-Control	310B	691263	Screw (Starter Motor) (#10-24x 4 3/4" Long)
161A	843565	Base-Air Cleaner Used on Type No(s). 0114, 0124, 0126.	227	690236	Lever-Governor Control	310E	820807	Screw (Starter Motor) (M5x99mm Long)
161B	808676	Base-Air Cleaner	231B	690718	Screw (Choke Valve)	311A	497608	Brush Set
163	841823	Gasket-Air Cleaner Used on Type No(s). 0114, 0124, 0126.	232A	690874	Spring-Governor Link	332	690887	Nut (Flywheel)
163A	692087	Gasket-Air Cleaner	239	690233	Switch-Oil Pressure Used on Type No(s). 0117, 0118, 0119, 0124, 0126.	333	492341	Armature-Magneto
171	690941	Nut (Air Cleaner) (M8) Used on Type No(s). 0114, 0124, 0126.			----- Note -----	334	692066	Screw (Magneto Armature)
185	690939	Nut (Air Cleaner Base) (M6)			697049 Switch-Oil Pressure Used on Type No(s). 0111, 0112, 0114.	337	491055S	Plug-Spark
186	693184	Connector-Hose	240A	691035	Filter-Fuel			----- Note -----
187	791766	Line-Fuel (15" Long) (Cut To Required Length)	265	691024	Clamp-Casing			792015 Plug-Spark Used on Type No(s). 0110, 0117, 0118.
187A	791745	Line-Fuel (23" Long) (Cut To Required Length)	267	692083	Screw (Casing Clamp)	356	807063	Wire-Stop
187B	842447	Line-Fuel (Molded) Used on Type No(s). 0114, 0124, 0126.	268	691025	Casing-Control Wire (Cut To Required Length)	357	691483	Key-Drive Pulley
187C	791801	Line-Fuel (Molded)	269	691026	Wire-Control (Cut To Required Length)	358	842658	Gasket Set-Engine
188	692056	Screw (Control Bracket)	270	691027	Nut (Control Wire Casing)	359	691077	Washer (Ground Terminal)
			271	691028	Lever-Control			
			273	690681	Seal-O Ring (Oil Pump)			

Engine Gasket Set-Reference 358
Carburetor Overhaul Kit-Reference 121D

Valve Gasket Set-Reference 1095B

REF. NO.	PART NO.	DESCRIPTION	REF. NO.	PART NO.	DESCRIPTION	REF. NO.	PART NO.	DESCRIPTION
363	19203	Puller-Flywheel	474A	696578	Alternator (DC Only) Used on Type No(s). 0110, 0118, 0123.	573A	841310	Plate-Back ----- Note -----
365	690866	Screw (Carburetor) (M6x85mm Long)	474D	696458	Alternator (10 Amp Circuit) Used on Type No(s). 0100, 0108, 0111, 0112, 0114, 0115, 0116, 0117, 0119, 0349.	578A	692306	Wire Assembly
373A	691612	Nut (Ground Terminal)	474F	841178	Alternator Used on Type No(s). 0124, 0126.	578A	692319	Wire Assembly (With Diodes)
377	808095	Key-Woodruff	501	691185	Regulator	582	807381	Clamp-Air Cleaner Used on Type No(s). 0114, 0124, 0126.
383	19374S	Wrench-Spark Plug ----- Note ----- 19576S Wrench-Spark Plug Used on Type No(s). 0110, 0118, 0123.	501B	841170	Regulator Used on Type No(s). 0124, 0126.	601	691038	Clamp-Hose (Black)
385	807084	Screw (Fuel Pump)	505	690238	Nut (Governor Control Lever)	601A	841502	Clamp-Hose
387	808656	Pump-Fuel	506	807120	Screw (Carburetor Cover)	601B	841597	Clamp-Hose (Oil Hose)
400	808657	Cooler-Oil	507	691972	Insulator	601C	691145	Clamp-Hose (Silver)
402	690679	Screw (Oil Filter Cover)	510A	496881	Drive-Starter (Alumimnum Ring Gear Only)	601D	791850	Clamp-Hose
413	693587	Nut (Starter Motor)	520	691084	Terminal-Ground	613A	690297	Screw (Muffler)
415	690283	Plug (Oil Cooler)	523	692101	Dipstick	614	691550	Pin-Cotter
417	810074	Screw (Oil Cooler)	524	692053	Seal-Dipstick Tube	616	806685	Crank-Governor
436	808916	Manifold-Exhaust Used on Type No(s). 0108.	525	692093	Tube-Dipstick	628A	806660	Screw (Fuel Pump Bracket)
436B	808909	Manifold-Exhaust Used on Type No(s). 0110, 0118.	526	692067	Screw (Regulator) ((M6x12mm Long)	633	809638	Seal-Choke/Throttle Shaft (Choke Collar #1)
436D	808908	Manifold-Exhaust Used on Type No(s). 0123.	526B	691547	Screw (Regulator) (M6x28mm Long)	633A	809644	Seal-Choke/Throttle Shaft (Choke Collar #2)
437	691902	Screw (Exhaust Manifold)	527	690423	Clamp-Tube	633B	809641	Seal-Choke/Throttle Shaft (Throttle Shaft)
439	692154	Seal-O Ring (Crankcase Cover/Sump)	529	690744	Grommet	635	692076	Boot-Spark Plug
445	820263	Filter-Air Cleaner Cartridge Used on Type No(s). 0114, 0124, 0126.	536	825117	Cleaner-Air Used on Type No(s). 0114, 0124, 0126.	643	692079	Retainer-Air Filter
445B	692519	Filter-Air Cleaner Cartridge	544		Armature-Starter (Service With 691564 Starter Motor Only)	649	842446	Stud (Air Cleaner Cover) Used on Type No(s). 0114, 0124, 0126.
448	841488	Bracket-Oil Cooler	552	690701	Bushing-Governor Crank	654	690939	Nut (Carburetor)
466	806466	Seal-O Ring (Breather Assembly)	552A	806686	Bushing-Governor Crank			
467	691985	Knob-Air Cleaner	562	690239	Bolt (Governor Control Lever)			
			565	690682	Stud (Oil Filter Adapter)			

Engine Gasket Set-Reference 358
Carburetor Overhaul Kit-Reference 121D

Valve Gasket Set-Reference 1095B

REF. NO.	PART NO.	DESCRIPTION	REF. NO.	PART NO.	DESCRIPTION	REF. NO.	PART NO.	DESCRIPTION
1095B	842659	Gasket Set-Valve	1135	806497	Washer (Crankcase Cover/Sump)	1337	841233	Screw Air Cleaner Bracket Used on Type No(s). 0114, 0124, 0126.
1100	791959	Pivot-Rocker Arm	1155	806647	Washer (Oil Cooler)	1392	690939	Nut (Rewind Guard)
1119	691552	Screw (Alternator)	1157	806447	Nut (Bell Crank)	1395	807084	Screw (Air Cleaner Base) (M6x14mm Long)
1121	810056	Nut (Fuel Pump Bracket)	1176	842067	Nut (Exhaust Manifold)	1406	842623	Valve-Debris Used on Type No(s). 0114, 0124, 0126.
1122	93410	Screw (Blower Housing Adapter)	1254	807084	Screw (Rocker Arm Stud)	1416	809640	Cap-Carburetor
1127	809715	Screw (Float Bowl To Carburetor Body)	1315	842445	Hose-Air Cleaner Used on Type No(s). 0114, 0124, 0126.	1422	691551	Washer (Air Guide) (Used Before Code Date 03110100).
1130A	690869	Stud (Intake Manifold) ----- Note ----- 842448 Stud (Intake Manifold) Used on Type No(s). 0114, 0124, 0126.	1330	272144	Repair Manual			
			1334	841233	Screw (Air Guide)			

Engine Gasket Set-Reference 358
Carburetor Overhaul Kit-Reference 121D

Valve Gasket Set-Reference 1095B