



Illustrated Parts List

Model Series

386700

TYPE NUMBERS
0024 through 0120.

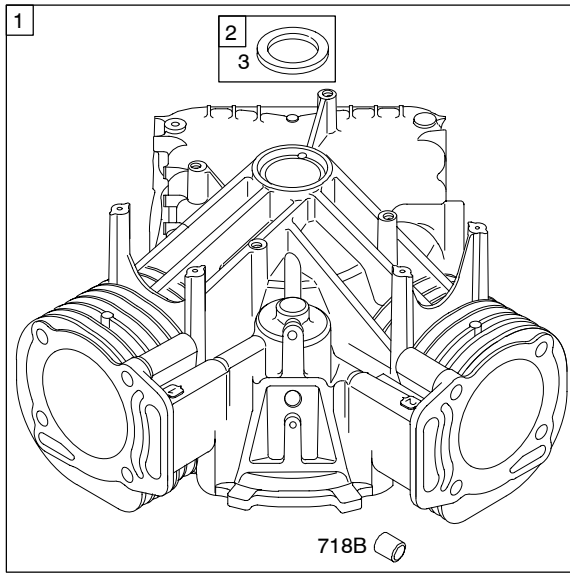
TABLE OF CONTENTS

Air Cleaner	6
Alternator	5
Blower Housing	8
Camshaft	4
Carburetor	3
Controls	5
Crankshaft	2
Cylinder	2
Cylinder Head	4
Electric Starter	9
Engine Sump	2
Exhaust System	7
Flywheel	7
Fuel Supply	3
Gasket Set-Engine	2
Gasket Set-Valve	3
Governor Spring	5
Ignition	5
Intake Manifold	6
Kit-Carburetor Overhaul	3
Lubrication	10
Piston, Rings, Connecting Rod	2
Shrouds	8
Valves	5

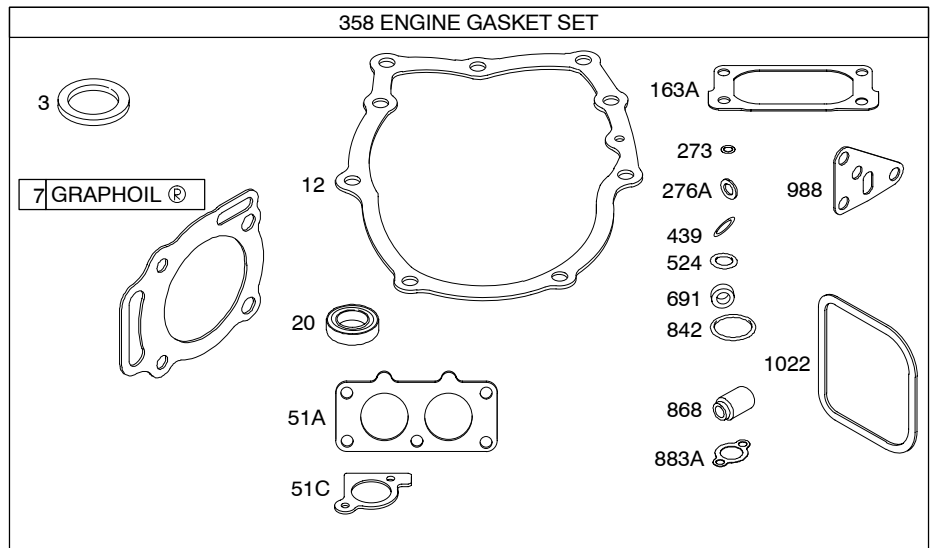
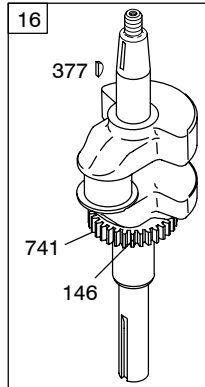
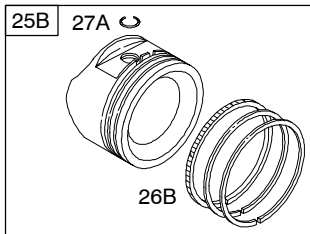
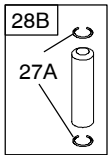
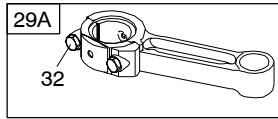
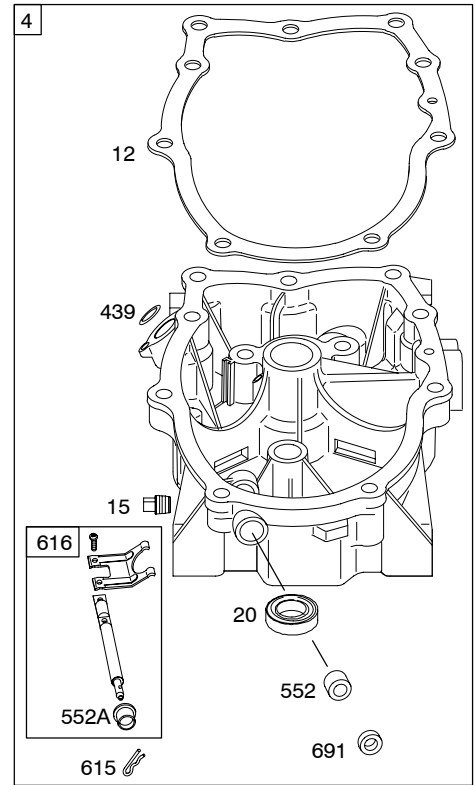
PRINTED IN U.S.A.



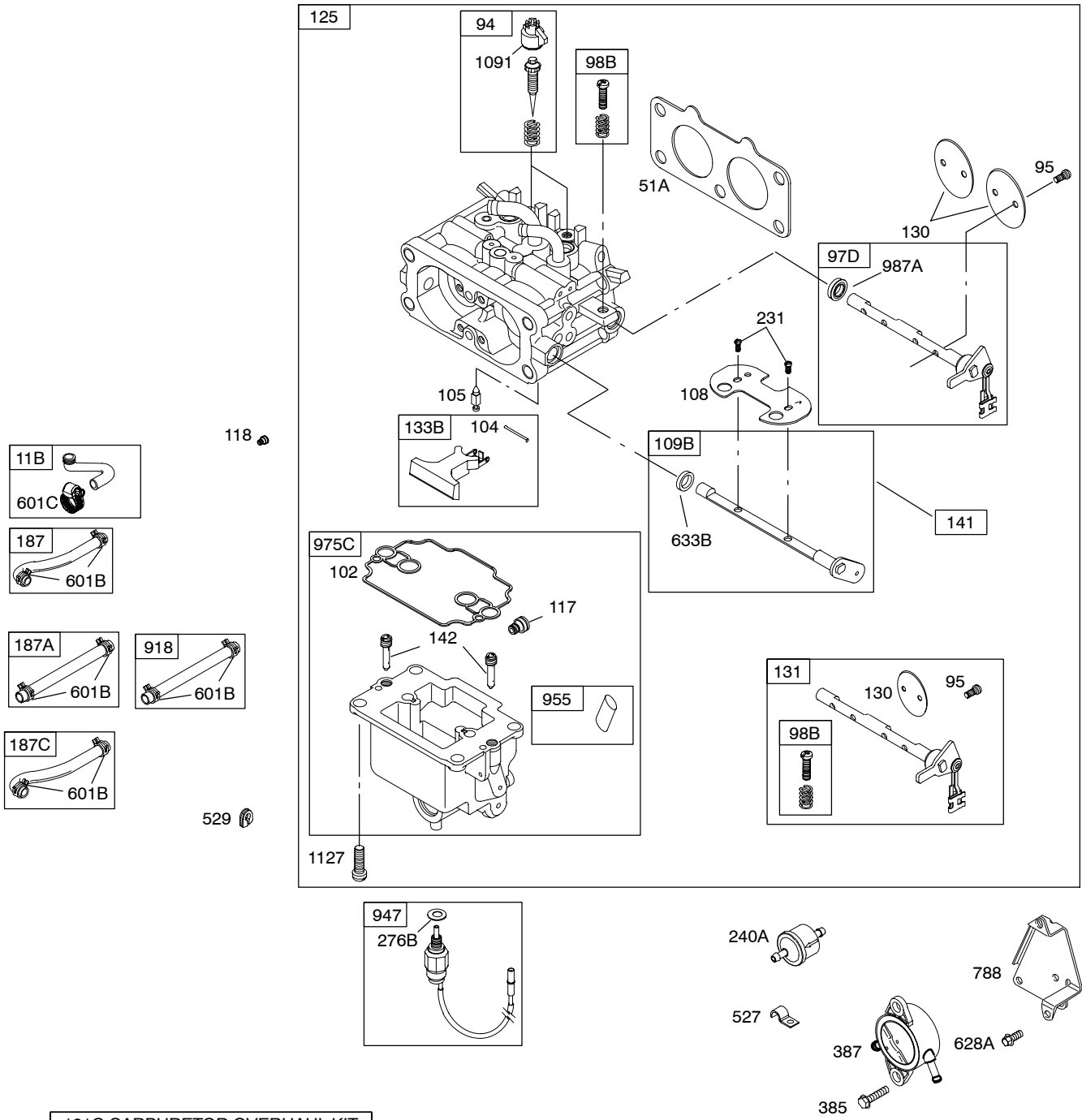
COPYRIGHT by BRIGGS & STRATTON CORPORATION
All rights reserved. No part of this material may be reproduced or transmitted, in any form or by any means, electronic or mechanical, including photocopying, recording or by any information storage and retrieval system, without permission in writing from Briggs & Stratton Corporation.



- 1019 LABEL KIT
- 1330 REPAIR MANUAL
- 1058 OPERATORS MANUAL



Illustrations cover a range of engines. Parts shown without corresponding text may not be used on your specific engine. Assemblies include all parts shown in frames.

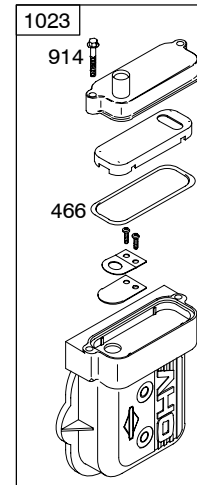
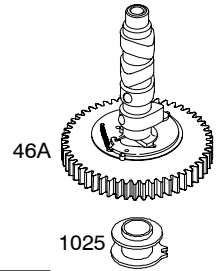
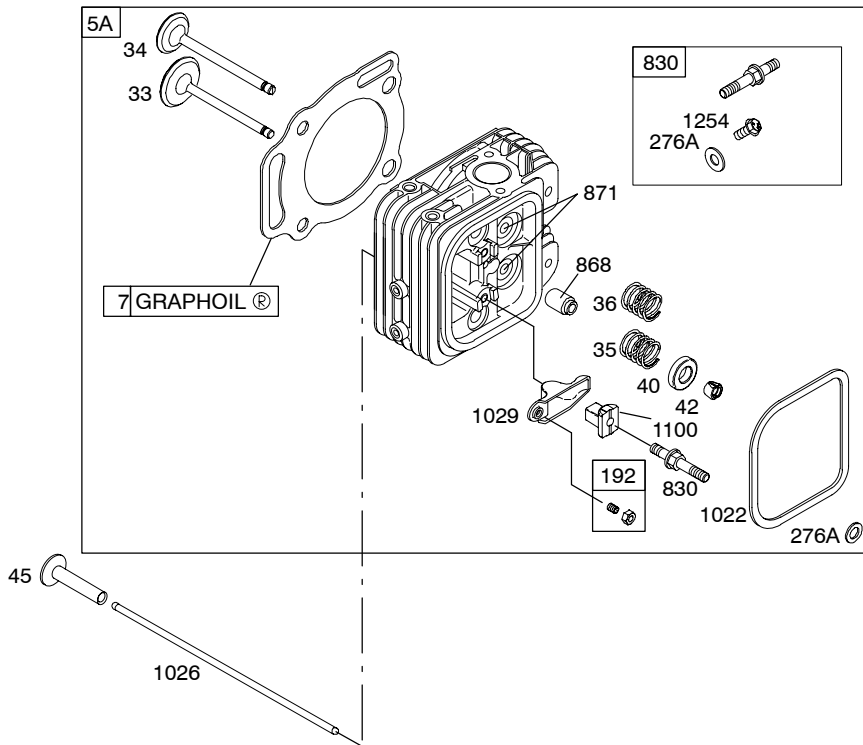
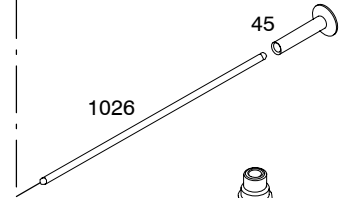
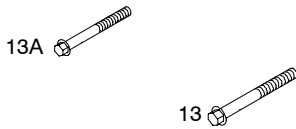
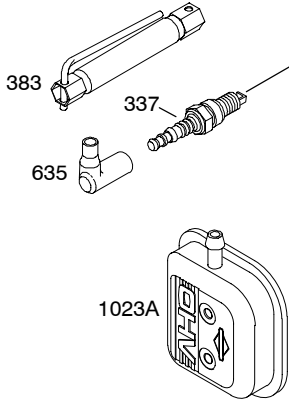
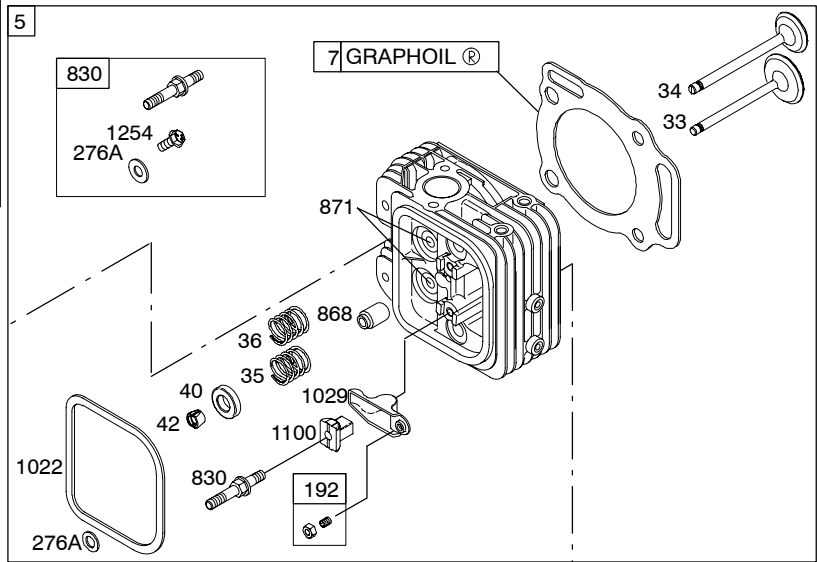
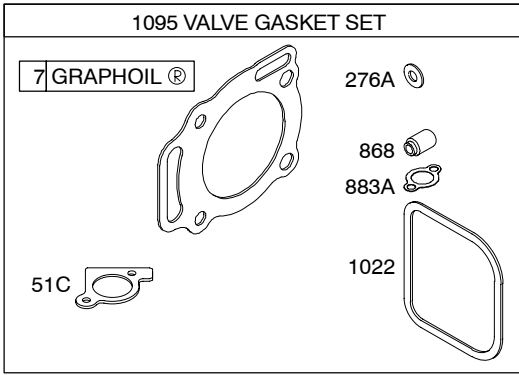


121C CARBURETOR OVERHAUL KIT

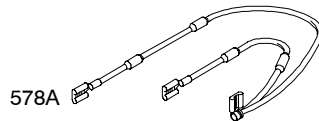
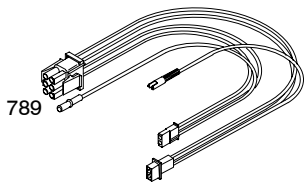
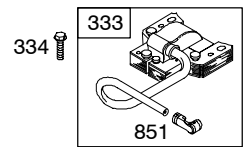
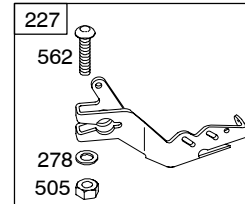
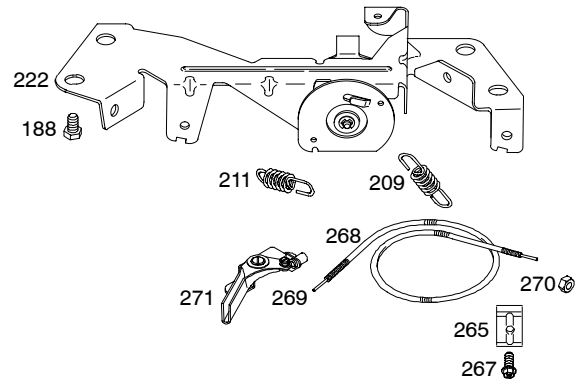
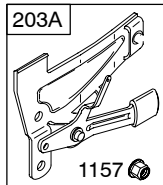
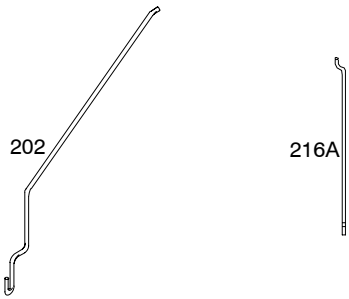
94	104	142
1091	105	633B
102	117	987A

Illustrations cover a range of engines. Parts shown without corresponding text may not be used on your specific engine.

386700



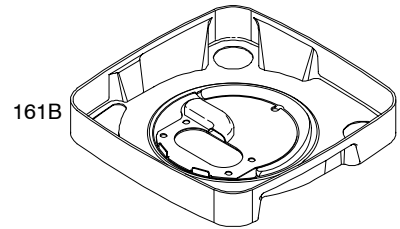
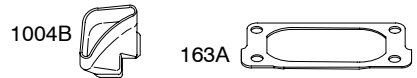
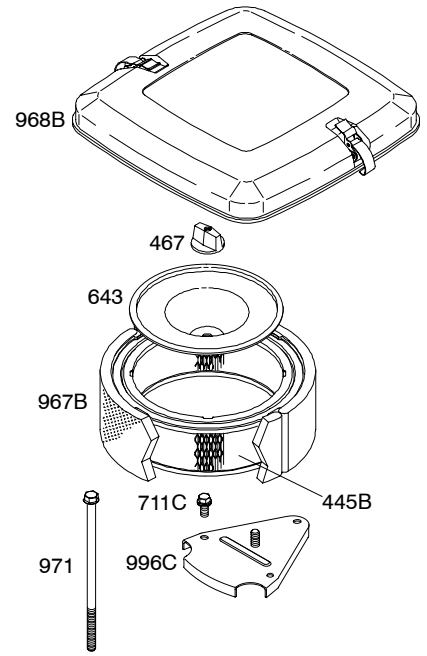
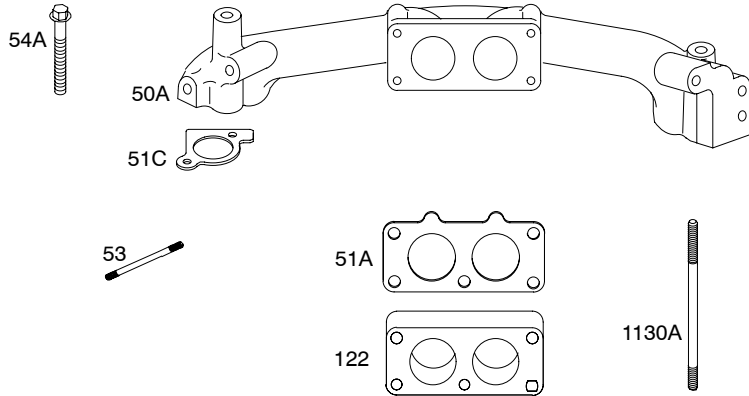
Illustrations cover a range of engines. Parts shown without corresponding text may not be used on your specific engine.



DC ONLY		10 - 16 AMP	
474A	474D	1059	
		526	501

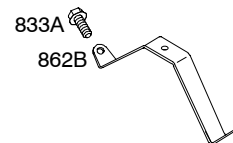
NOTE: All stators use a No. 1119 mounting screw.

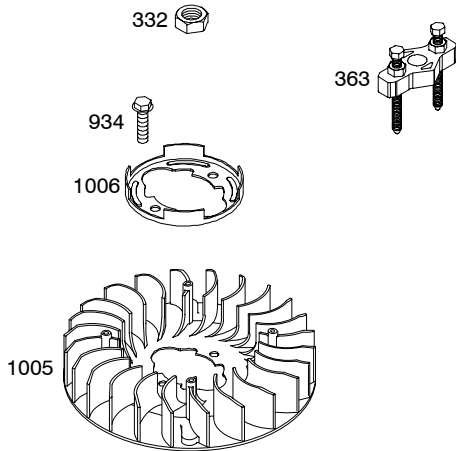
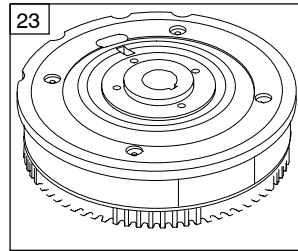
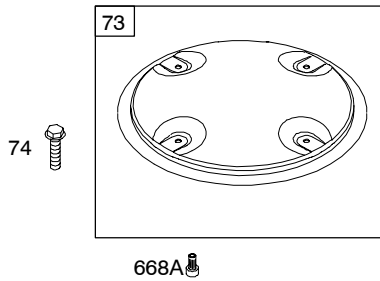
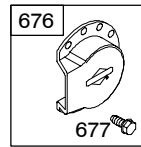
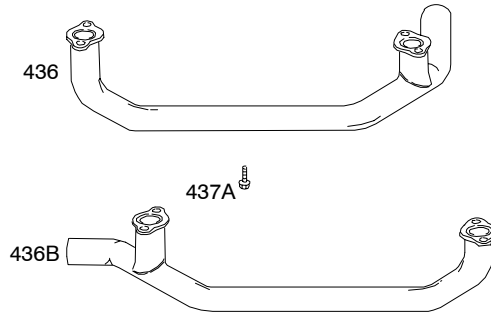
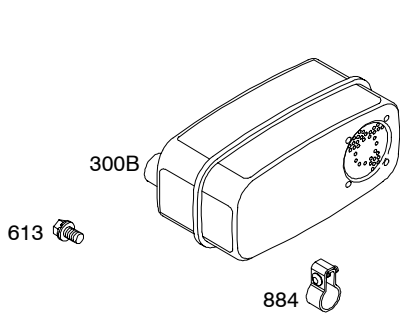
Illustrations cover a range of engines. Parts shown without corresponding text may not be used on your specific engine.



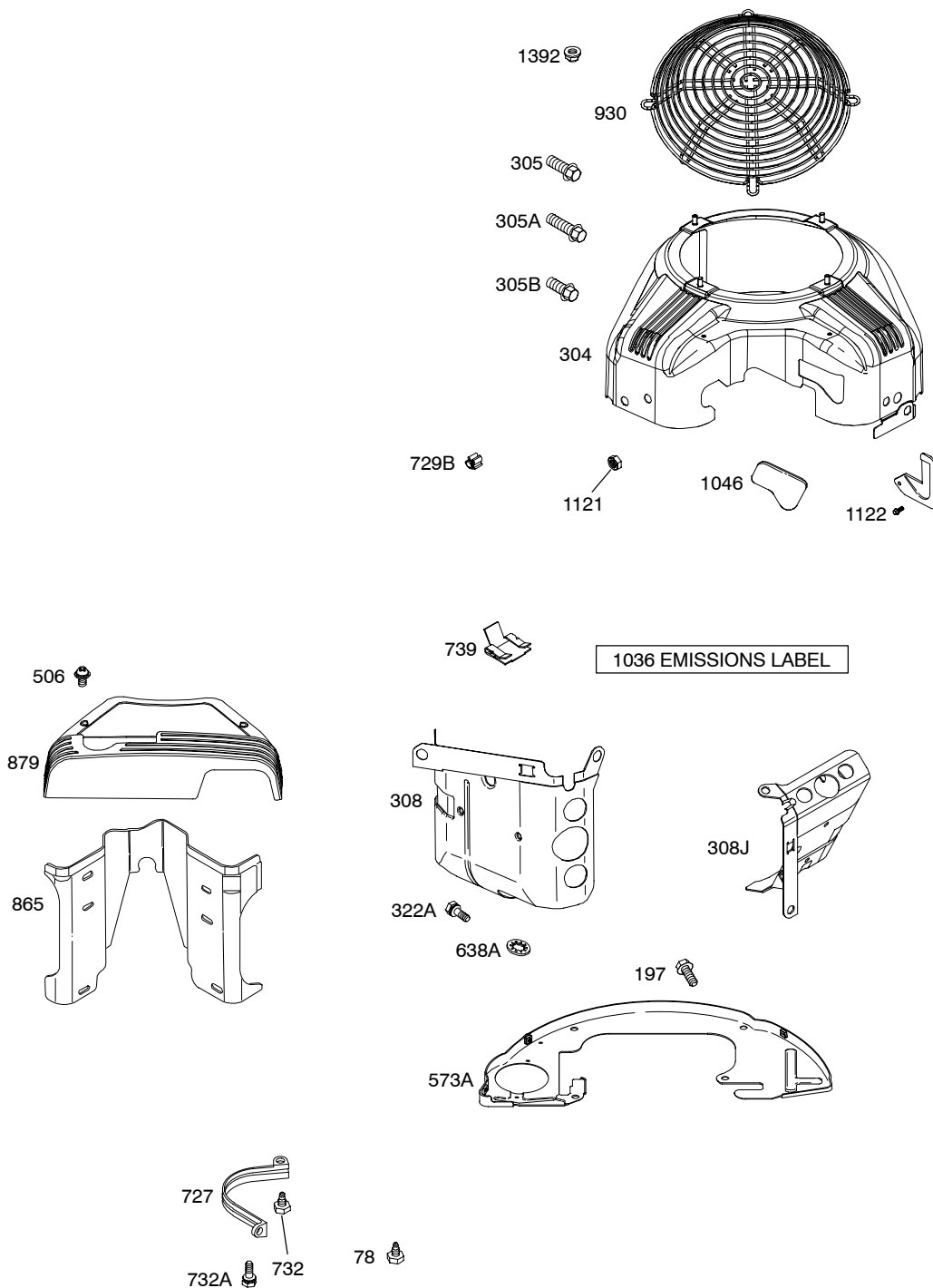
185

833



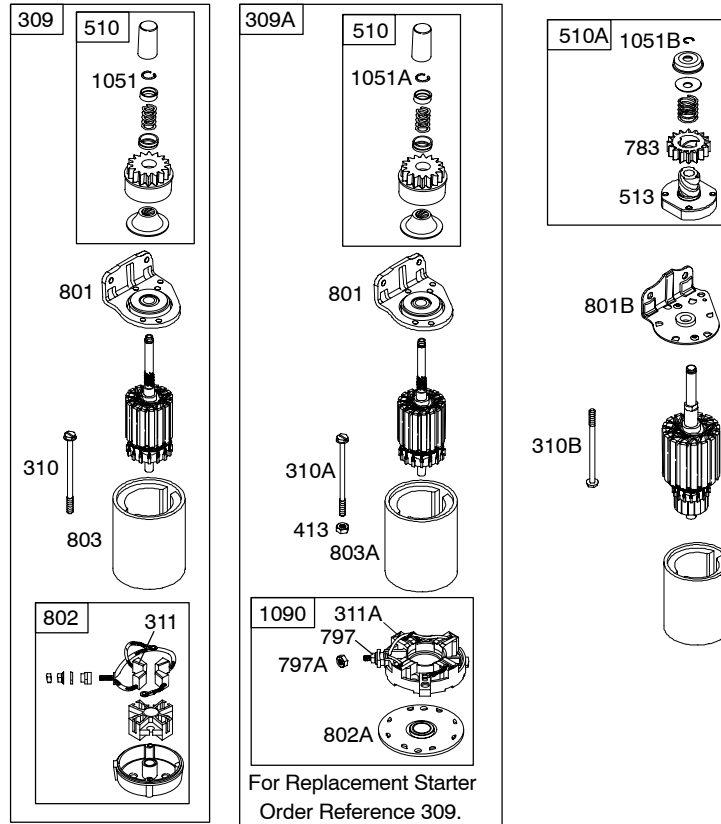


Illustrations cover a range of engines. Parts shown without corresponding text may not be used on your specific engine.
5960-7 Assemblies include all parts shown in frames.

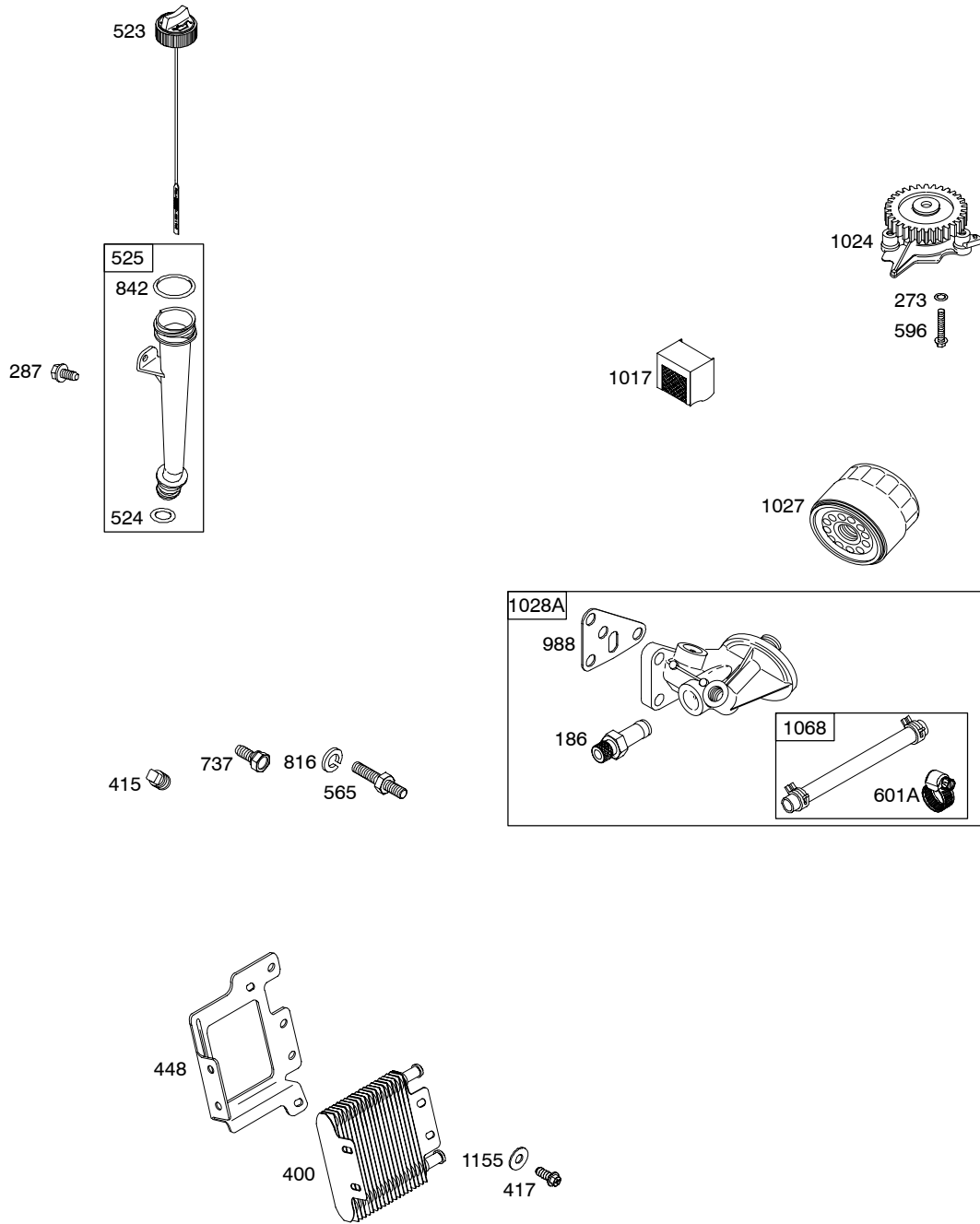


Illustrations cover a range of engines. Parts shown without corresponding text may not be used on your specific engine.
5960-8 Assemblies include all parts shown in frames.

697 



Illustrations cover a range of engines. Parts shown without corresponding text may not be used on your specific engine.



Illustrations cover a range of engines. Parts shown without corresponding text may not be used on your specific engine.

REF. NO.	PART NO.	DESCRIPTION	REF. NO.	PART NO.	DESCRIPTION	REF. NO.	PART NO.	DESCRIPTION
1	842648	Cylinder Assembly (Used After Code Date 05073000). ----- Note ----- 808647 Cylinder Assembly (Used Before Code Date 05080100).	25B	808527	Piston Assembly (Standard) ----- Note ----- 808652 Piston Assembly (.020" Oversize)	109B	808181	Shaft-Choke
2	808534	Kit-Bushing/Seal (Magneto Side)	26B	808528	Ring Set (Standard) ----- Note ----- 808661 Ring Set (.020" Oversize)	117	●809708	Jet-Main (Standard)
3	★805101s	Seal-Oil (Magneto Side)	27A	806378	Lock-Piston Pin	118	809723	Jet-Main (High Altitude)
4	808846	Sump-Engine	28B	808526	Pin-Piston	121C	842261	Kit-Carburetor Overhaul
5	842656	Head-Cylinder (Cylinder 1)	29A	808646	Rod-Connecting (Standard)	122	690870	Spacer-Carburetor
5A	842657	Head-Cylinder (Cylinder 2)	32	690698	Screw (Connecting Rod)	125	809705	Carburetor
7	★△842622	Gasket-Cylinder Head (Graphoil)	33	806419	Valve-Exhaust	130	809642	Valve-Throttle
11B	806379	Tube-Breather	34	806420	Valve-Intake	131	809718	Kit-Throttle Shaft
12	★842589	Gasket-Crankcase	35	692084	Spring-Valve (Intake)	133B	809637	Float-Carburetor
13	842618	Screw (Cylinder Head) (Used After Code Date 05073000).	36	692084	Spring-Valve (Exhaust)	141	809719	Kit-Choke Shaft
13A	806865	Screw (Cylinder Head) (Used Before Code Date 05080100).	40	692058	Retainer-Valve	142	●809709	Nozzle-Carburetor (Standard)
15	690946	Plug-Oil Drain	42	807683	Keeper-Valve	146	691639	Key-Timing
15A	691680	Plug-Oil Drain	45	690977	Tappet-Valve	151	841185	Stud (Exhaust Manifold)
16	809809	Crankshaft ----- Note ----- 809840 Crankshaft Used on Type No(s). 0025, 0114. 809830 Crankshaft Used on Type No(s). 0024, 0116, 0117, 0118.	46A	690927	Camshaft	161B	808676	Base-Air Cleaner (Metal)
20	★805049s	Seal-Oil (PTO Side)	50A	806376	Manifold-Intake	163	841823	Gasket-Air Cleaner
22	807362	Screw (Crankcase Cover/Sump)	51A	★690950	Gasket-Intake	163A	★692087	Gasket-Air Cleaner (Used With Metal Air Cleaner Base)
23	809236	Flywheel ----- Note ----- 841728 Flywheel Used on Type No(s). 0117.	51C	★△806418	Gasket-Intake (Manifold/Heads)	185	690939	Nut (Air Cleaner Base)
			53	690869	Stud (Carburetor)	186	693184	Connector-Hose
			54A	806444	Screw (Intake Manifold)	187	791766	Line-Fuel (Cut To Required Length)
			73	841440	Screen-Rotating	187A	791745	Line-Fuel (Cut To Required Length)
			74	841441	Screw (Rotating Screen)	187C	791801	Line-Fuel (Molded)
			78	690688	Screw (Flywheel Guard)	188	692056	Screw (Control Bracket)
			94	●809712	Kit-Idle Mixture	192	807623	Adjuster-Rocker Arm
			95	690728	Screw (Throttle Valve)	197	807163	Screw (Back Plate)
			97D	808715	Shaft-Throttle	202	690867	Link-Mechanical Governor
			98B	809716	Kit-Idle Speed	203A	808753	Crank-Bell
			102	●809645	Gasket-Carburetor Body			
			104	●690739	Pin-Float Hinge			
			105	●809759	Valve-Float Needle			
			108	809643	Valve-Choke			

★ Included in Engine Gasket Set-Ref. No. 358.

● Included in Carburetor Overhaul Kit-Ref. No.121C.

△ Included in Valve Gasket Set-Ref. No. 1095.

Illustrations cover a range of engines. Parts shown without corresponding text may not be used on your specific engine.

386700

REF. NO.	PART NO.	DESCRIPTION	REF. NO.	PART NO.	DESCRIPTION	REF. NO.	PART NO.	DESCRIPTION
209	692070	Spring-Governor ----- Note ----- 690710 Spring-Governor Used on Type No(s). 0111. 692071 Spring-Governor Used on Type No(s). 0036, 0112, 0116, 0117.	276A	★△807085	Washer-Sealing (Carburetor Plug)	334	692066	Screw (Magneto Armature)
211	692069	Spring-Governed Idle	276B	806476	Washer-Sealing (Float Bowl)	337	491055s	Plug-Spark ----- Note ----- 792015 Plug-Spark Used on Type No(s). 0024, 0025, 0036, 0112, 0116, 0117.
216A	690871	Link-Choke	278	842122	Washer (Governor Control Lever)	356	807063	Wire-Stop Used on Type No(s). 0111, 0118.
222	808454	Bracket-Control	287	807084	Screw (Dipstick Tube)	357	691483	Key-Drive Pulley
227	690236	Lever-Governor Control	300B	498984s	Muffler Used on Type No(s). 0110, 0117.	358	842658	Gasket Set-Engine
231	690728	Screw (Choke Valve)	304	841489	Housing-Blower	359	691077	Washer (Ground Terminal)
232A	690874	Spring-Governor Link	305	692056	Screw (Blower Housing) (14mm)	363	19203	Puller-Flywheel
239	690233	Switch-Oil Pressure ----- Note ----- 697049 Switch-Oil Pressure Used on Type No(s). 0118.	305A	692062	Screw (Blower Housing) (18mm Long)	373A	691612	Nut (Ground Terminal)
240A	691035	Filter-Fuel (Includes Paper Element With A 40 Micron Rating)	305B	841233	Screw (Blower Housing) (12 mm)	377	808095	Key-Woodruff
265	691024	Clamp-Casing	308	841183	Cover-Cylinder Head (Cylinder 2)	383	19374s	Wrench-Spark Plug ----- Note ----- 19576s Wrench-Spark Plug Used on Type No(s). 0116, 0117.
267	692083	Screw (Casing Clamp)	308J	841182	Cover-Cylinder Head (Cylinder 1)	385	807084	Screw (Fuel Pump)
268	691025	Casing-Control Wire (Cut To Required Length)	309	691564	Motor-Starter (Steel Ring Gear Only)	387	808656	Pump-Fuel
269	691026	Wire-Control (Cut To Required Length)	309A		Motor-Starter (For Replacement Starter Motor, Order Reference 309)	400	808657	Cooler-Oil
270	691027	Nut (Control Wire Casing)	310	496880	Screw (Starter Motor)	413	693587	Nut (Starter Motor)
271	691028	Lever-Control	310A	690323	Screw (Starter Motor)	415	690283	Plug (Square Head)
273	★690681	Seal-O Ring (Oil Pump)	310B	691263	Screw (Starter Motor)	417	810074	Screw (Oil Cooler)
276	690704	Washer-Sealing (Crankcase Cover/Sump)	311	496887	Brush Set	436	808916	Manifold-Exhaust Used on Type No(s). 0110.
			311A	497608	Brush Set	436B	808909	Manifold-Exhaust Used on Type No(s). 0116, 0117.
			322A	841233	Screw (Cylinder Head Cover)	437A	691902	Screw (Exhaust Manifold)
			332	690887	Nut (Flywheel)	439	692154	Seal-O Ring (Crankcase Cover/Sump)
			333	492341	Armature-Magneto			

★ Included in Engine Gasket Set-Ref. No. 358.

△ Included in Valve Gasket Set-Ref. No. 1095.

● Included in Carburetor Overhaul Kit-Ref. No.121C.

Illustrations cover a range of engines. Parts shown without corresponding text may not be used on your specific engine.

REF. NO.	PART NO.	DESCRIPTION	REF. NO.	PART NO.	DESCRIPTION	REF. NO.	PART NO.	DESCRIPTION
445B	692519	Filter–Air Cleaner Cartridge (Round)	573A	841310	Plate–Back	789	698332	Harness–Wiring Used on Type No(s). 0111.
448	841488	Bracket–Oil Cooler	578A	692319	Wire Assembly (With Diodes)			----- Note -----
466	806466	Seal–O Ring (Breather Assembly)	596	691492	Screw (Oil Pump)			695050 Harness–Wiring Used on Type No(s). 0118.
467	691985	Knob–Air Cleaner	601A	841502	Clamp–Hose			
474A	696578	Alternator (DC Only) Used on Type No(s). 0116, 0117.	601B	791850	Clamp–Hose	797	693167	Nut (Brush Retainer)
474D	696458	Alternator (10 Amp Circuit)	601C	691145	Clamp–Hose (Silver)	797A	691029	Nut (Brush Retainer)
501	691185	Regulator (3 Wire)(16 Amp)	613	691902	Screw (Muffler)	801	808778	Cap–Drive
505	690238	Nut (Governor Control Lever)	615	691550	Retainer–Governor Shaft	801B	691283	Cap–Drive
506	807120	Screw (Carburetor Cover)	616	806685	Crank–Governor	802	496813	Cap–End
507	691972	Insulator	628A	806660	Screw (Fuel Pump Bracket)	802A	691286	Cap–End
510	496881	Drive–Starter	633B	●690722	Seal–Choke/Throttle Shaft	803	690854	Housing–Starter
510A	696541	Drive–Starter	635	692076	Boot–Spark Plug	803A	693547	Housing–Starter
513	692024	Clutch–Drive	638A	691551	Washer (Cylinder Head Cover)	803B		Housing–Starter (Service With 691564 Starter Motor Only)
520	691084	Terminal–Ground	643	692079	Retainer–Air Filter	816	690706	Washer (Oil Filter Adapter)
523	692101	Dipstick	668A	691500	Spacer (Knurled Insert)	830	809157	Stud–Rocker Arm
524	692053	Seal–Dipstick Tube	676	393761	Deflector–Muffler	833	807163	Screw (Air Cleaner Mounting Strap/Stud)
525	692093	Tube–Dipstick	677	690661	Screw (Muffler Deflector)	833A	841233	Screw (Air Cleaner Mounting Strap/Stud)
526	692067	Screw (Regulator)	691	690680	Seal–Governor Shaft	842	691870	Seal–O Ring (Dipstick Tube)
527	690423	Clamp–Tube	697	692062	Screw (Drive Cap)	851	493880s	Terminal–Spark Plug
529	690744	Grommet	711C	691492	Screw (Carburetor Shield)	862B	806440	Strap/Stud–Air Cleaner Mounting
544		Armature–Starter (Service With 691564 Starter Motor Only)	718B	806469	Pin–Locating	865	807119	Cover–Air Guide (Black)
544B		Armature–Starter (Service With 691564 Starter Motor Only)	727	841313	Cover–Starter Drive (Black)	868	★△691963	Seal–Valve
552	690701	Bushing–Governor Crank	729B	690586	Clip–Wire (Snap In)(Nylon)	871	692057	Bushing–Valve Guide
552A	806686	Bushing–Governor Crank	732	690688	Screw (Starter Drive Cover)	877A	393814	Wire/Connector–Alternator Used on Type No(s). 0116, 0117.
562	690239	Bolt (Governor Control Lever)	732A	841233	Screw (Starter Drive Cover)	877C	399916	Wire/Connector–Alternator (2 Wires, 7–53/64" Long)(2 Bare Wire Ends, And Insulated Snap Connect Male Pin Terminal)
565	690682	Stud (Oil Filter Adapter)	737	690679	Screw (Oil Filter Adapter)			
			739	690451	Clip–Debris			
			741	691530	Gear–Timing			
			783	695708	Gear–Pinion			
			788	691559	Bracket–Fuel Pump			

★ Included in Engine Gasket Set–Ref. No. 358.

● Included in Carburetor Overhaul Kit–Ref. No.121C.

△ Included in Valve Gasket Set–Ref. No. 1095.

Illustrations cover a range of engines. Parts shown without corresponding text may not be used on your specific engine.

386700

REF. NO.	PART NO.	DESCRIPTION	REF. NO.	PART NO.	DESCRIPTION	REF. NO.	PART NO.	DESCRIPTION
879	807460	Cover-Carburetor	1024	693186	Pump-Oil	1091	●691515	Cap-Limiter
883A	★△806425	Gasket-Exhaust	1025	690689	Spool-Governor	1095	842659	Gasket Set-Valve
884	691956	Clamp-Muffler	1026	691836	Rod-Push (Intake)(Steel)	1100	791959	Pivot-Rocker Arm
914	807120	Screw (Rocker Cover)			----- Note -----	1119	691552	Screw (Alternator)
918	393815	Hose-Vacuum (Cut To Required Length)			691758 Rod-Push (Exhaust)(Aluminum)	1121	810056	Nut (Fuel Pump Bracket)
930	841490	Guard-Rewind Used on Type No(s). 0110, 0113, 0118.	1027	492932s	Filter-Oil (2 1/4" Long)	1122	93410	Screw (Blower Housing Adapter)
934	691058	Screw (Fan Retainer)	1028A	808537	Adapter-Oil Filter	1127	809715	Screw (Float Bowl)(Mount Float Bowl To Carburetor Body)
947	809632	Solenoid-Fuel	1029	807323	Arm-Rocker			
955	809640	Plug-Carburetor	1036		Label-Emissions (Available from an Authorized Briggs & Stratton Service Dealer)	1130A	690869	Stud (Intake Manifold)
967B	692520	Filter-Pre Cleaner (Round)	1046	841165	Plug-Blower Housing	1135	806497	Washer (Crankcase Cover/Sump)
968B	808654	Cover-Air Cleaner (Used With Metal Air Cleaner Base)	1051	690736	Ring-Retaining	1155	806647	Washer (Oil Cooler)
971	690866	Screw (Air Cleaner Base to Carburetor)	1051A	691124	Ring-Retaining	1157	806447	Nut (Bell Crank)
975C	808628	Bowl-Float	1051B	691265	Ring-Retaining	1176	842067	Nut (Exhaust Manifold)
987A	●691000	Seal-Throttle Shaft	1054	280275	Tie-Cable	1254	807084	Screw (Rocker Cover Stud)
988	★692063	Gasket-Oil Adapter	1058	276353	Operator's Manual	1330	272144	Repair Manual
996C	690917	Shield-Carburetor	1059	698516	Kit-Screw/Washer	1392	690939	Nut (Rewind Guard) Used on Type No(s). 0110, 0113, 0118.
1004B	690865	Duct-Air (Used With Metal Air Cleaner Base)	1068	841999	Hose/Clamp Assembly			
1005	841439	Fan-Flywheel (Used After Code Date 04011800). ----- Note ----- 809179 Fan-Flywheel (Used Before Code Date 04011900).	1090	691293	Retainer-Brush			
1006	690452	Retainer-Fan						
1017	690878	Screen-Oil Pump						
1019	808539	Kit-Label						
1022★△	806039s	Gasket-Rocker Cover						
1023	808648	Cover-Rocker (Includes Breather Assembly)						
1023A	691558	Cover-Rocker (Cylinder 1) (With Fuel Pump)						

★ Included in Engine Gasket Set-Ref. No. 358.

● Included in Carburetor Overhaul Kit-Ref. No.121C.

△ Included in Valve Gasket Set-Ref. No. 1095.

Illustrations cover a range of engines. Parts shown without corresponding text may not be used on your specific engine.