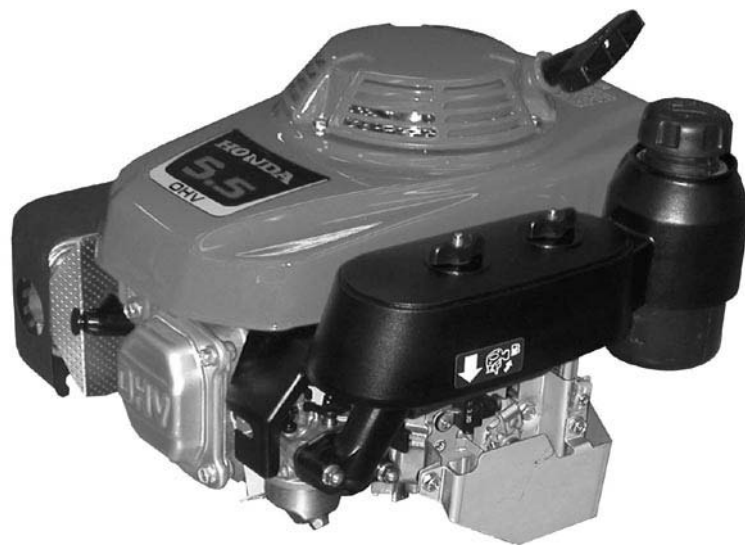


# ***GENERAL PURPOSE ENGINE***

**GXV160UH2**

**PARTS CATALOGUE**

**1**



GXV160UH2

---

FOREWORD INDEX

**1**

---

ENGINE GROUP

**2**

---

PART NUMBER INDEX

**3**

---

PART NAME INDEX

**4**

---



**Instruction for use of parts catalogue**

- **This parts catalogue was prepared based on the latest information available as of July 20, 2005.**
- See the parts catalogue news for any revision that is made after July 20, 2005.
- **Always specify the part number when ordering a part.**
- Check the model, type, serial numbers, color, maker, and the size as needed before ordering a part.
- Note that the illustrations (part drawings) can differ from the actual parts in shape. They are given just to help you to refer to the parts.
- **When modifications or additions to this parts catalogue are made, a revised edition will be issued at an appropriate time, with successively progressing revision numbers on the cover. We recommend obtaining such revisions in order to keep your parts catalogue up-to-date at all times. To check whether a parts catalogue revision has been issued, please contact your Honda distributor.**

Initial version issue date July 20, 2005  
**Honda Motor Co., Ltd.**

**CONTENTS**

	Page	Address No.
● Instruction for use of parts catalogue .....	1	B 1
● How to refer to the part information .....	2	B 2
● Part catalogue structure .....	3	B 3
● When the parts were revised .....	4	B 4
● Abbreviations used in the parts catalogue .....	4	B 4
● How to check the part block and serial numbers .....	5	B 5
● Models, parts catalogue codes and applicable serial numbers .....	6	B 6
● Features of each type .....	7	B 7
● Fuel hose, general purpose hoses and vinyl hose .....	8	B 8
● FLAT RATE SERVICE TIME .....	9	B 9
● Illustrated index .....	14	B14
● ENGINE GROUP .....	16	C 1
● PART NO. INDEX .....	39	E 1
● PART NAME INDEX .....	41	F 1



**1**

**2**

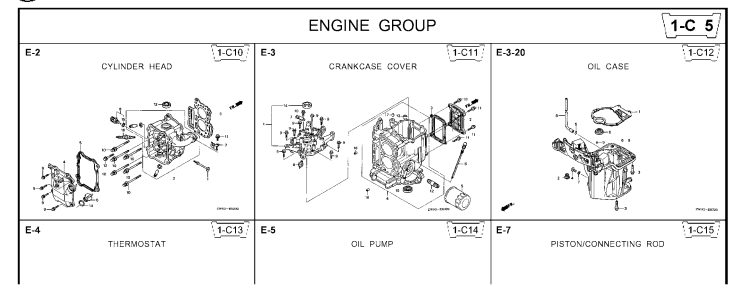
**3**

**4**

How to refer to the part information

1

A Reference with "Illustrated index"



B Reference with "Part number index"

PART NO. INDEX

Part Number	Address	Page	Rel.	Part Number	Address	Page
06000				15212-ZW9-000	1-C14	3C
06316-ZW9-000	1-69	88	1	15220-ZW9-003	1-C14	3C
11000				15332-ZW9-000	1-E8	55
11300-ZW9-405	1-C11	27	1	15332-ZW9-A30	1-E11	5E
11300-ZW9-406	1-C11	27	1	15400-PFB-004	1-C11	27
11340-ZW9-000	1-C11	27	2	15422-ZW9-000	1-C14	3C
11342-ZW9-000	1-C11	27	3	15473-881-000	1-C14	3C
11381-ZW9-003	1-C12	28	1	15474-ZW9-000	1-C14	3C
				15611-921-000	1-C10	2E
				15655-ZW9-000	1-C11	27
12000				16000		
12000-ZW9-405ZA	1-C11	27	4	16010-ZV4-005	1-D4	3E
12155-ZV4-A00	1-C13	29	1	16011-ZV4-005	1-D4	3E
12166-ZW9-000	1-C10	26	1	16013-ZW9-003	1-D4	3E
12209-GB4-681	1-C16	32	1	16016-ZW9-003	1-D4	3E
12210-ZW9-405ZA	1-C10	26	2	16016-ZW9-721	1-D4	3E
12216-ZE2-300	1-E8	58	1	16023-ZW9-003	1-D4	3E
	1-E11	58	1	16024-ZV4-650	1-D4	3E
				16028-ZV4-650	1-D4	3E

C Reference with "Part name index"

PART NAME INDEX

Part name	Address	Page	Ref.
[ A ]			
ABSORBER , FUEL	1-E15	62	5
ARMATURE COMP.	1-D11	43	7
ARM COMP. , LINK JOINT	1-G6	85	18
ARM COMP. , SHIFT LINK	1-G6	85	14
ARM COMP. , TILT	1-F15	79	20
ARM , FUEL PUMP ROCKER	1-C16	32	4
ARM , REVERSE LOCK	1-F15	79	18
ARM , SHIFT LINK	1-F11	74	7
ARM , STOPPER	1-D1	33	12
ARM , THROTTLE REMOTE	1-F11	74	6
ARM , VALVE ROCKER	1-C16	32	3
[ B ]			
BAG , TOOL , 160MM	1-G5	84	10
BAND	1-G6	86	37
BAND B1 , WIRE	1-F6	69	1
BAND , CORD	1-F3	67	18
BAND , TUBE CLIP , 11MM	1-E15	63	20
BAND , TUBE CLIP , 12.5MM	1-E15	63	19

Address No. 1-C10

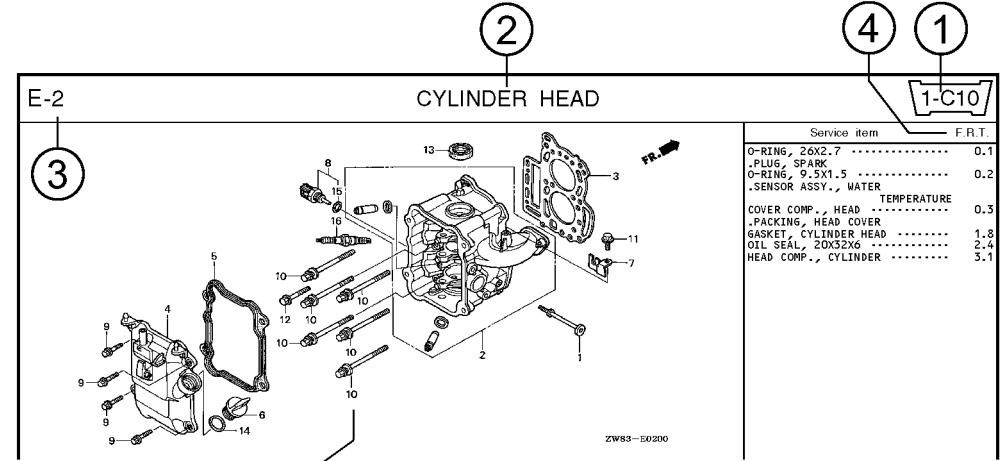
Block No. E-2

Ref No.

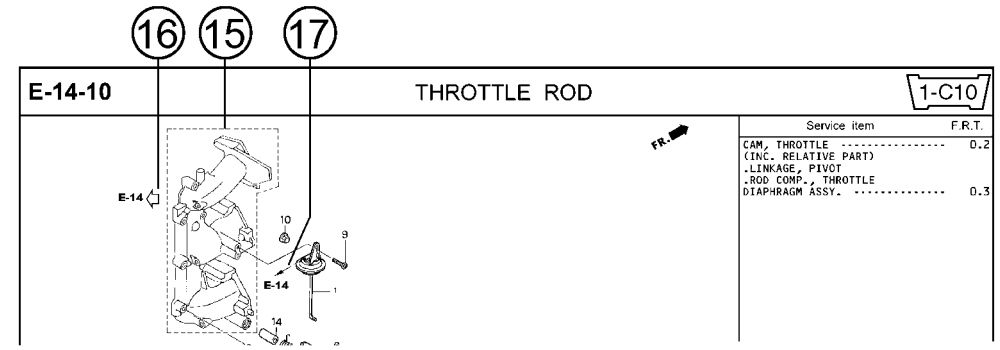
Ref. No.	Part No.	Description	Reqd. QTY						Serial No.	Parts catalogue code
			99D1	99D1	10D1	10D1	10B1	10B1		
1	12166-ZW9-000	STOPPER, ENGINE SIDE	2	2	2	2	2	2		
2	12210-ZW9-000ZA	HEAD COMP., CYLINDER	1	1	1	1	1	1		
3	12251-ZW9-003	GASKET, CYLINDER HEAD	1	1	1	1	1	1		
4	12310-ZW9-000	COVER COMP., HEAD	1	1	1	1	1	1		
5	12312-ZW9-000	PACKING, HEAD COVER	1	1	1	1	1	1		
6	15611-921-000	CAP, OIL (NO GAUGE)	1	1	1	1	1	1		
7	16617-ZW9-000	HOLDER, CABLE	1	1	1	1	1	1	SC,SG	
	16617-ZW9-010		1	1	1	1	1	1	1001800 LHC,LHD	
			1	1	1	1	1	1	1001801 LHC,LHD	
8	35673-ZW5-003	SENSOR ASSY., WATER	1	1	1	1	1	1		
9	90003-ZW9-000	BOLT, FLANGE, 6X22	4	4	4	4	4	4		
10	90007-ZW9-003	BOLT, FLANGE, 8X83	6	6	6	6	6	6		
11	90011-ZW9-000	BOLT, FLANGE, 6X14 (CT200)	1	1	1	1	1	1		
12	90020-ZW9-000	BOLT, FLANGE, 8X40	2	2	2	2	2	2		
13	91202-KJ9-003	OIL SEAL, 20X32X6	1	1	1	1	1	1		
14	91301-805-000	O-RING, 26X2.7	1	1	1	1	1	1		
15	91307-PK2-005	O-RING, 9.5X1.5 (HONDA KIKAKI)	1	1	1	1	1	1		
16	98059-55916	PLUG, SPARK (CR5EH-9)	2	2	2	2	2	2		
	98059-55926	PLUG, SPARK (U16FER9)	2	2	2	2	2	2		

Page No. 2000.09.20 E

**Part catalogue structure**

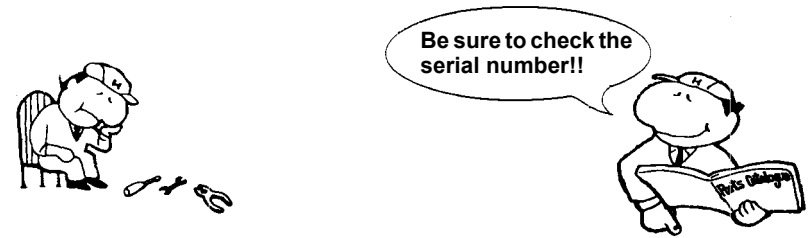


Ref. No.	Part No.	Description	Reqd. QTY						Serial No.	Parts catalogue code
			BF 9/901	BFP 9/901	BF 1001	BFP 1001	BF 1081	BFP 1081		
1	12166-zw9-000	STOPPER, ENGINE SIDE	2	2	2	2	2	2		
2	12210-zw9-000ZA	HEAD COMP., CYLINDER *NH8*	1	1	1	1	1	1		
3	12251-zw9-003	GASKET, CYLINDER HEAD	1	1	1	1	1	1		
4	12310-zw9-000	COVER COMP., HEAD	1	1	1	1	1	1		
5	12312-zw9-000	PACKING, HEAD COVER	1	1	1	1	1	1		
6	15611-921-000	CAP, OIL (NO GAUGE)	1	1	1	1	1	1		
7	16617-zw9-000	HOLDER, CABLE	1	1	1	1	1	1	SC,S6	
	16617-zw9-010		1	1	1	1	1	1	1001800 LHC,LHD	



- ① **Address number**
  - Address No. is provided (in place of the page No.) to help you refer to the part with the part No. or part name.
- ② **Block title** ③ **Block number**
- ④ **Service item/Flat rate time**
- ⑤ **Reference number**
  - Title number marked with the parenthesis or parentheses indicates that it continues from the previous page.
- ⑥ **Part number** ⑦ **Honda color code**
- ⑧ **Description**
- ⑨ **Assemblies**
  - Sections framed with broken lines in the exploded view drawings are available as complete assemblies. (Their individual parts can also be obtained.)
- ⑩ **Color description**
- ⑪ **Note**
  - Notes are shown with the parentheses in the part name column.
- ⑫ **Required quantity**
  - Required QTY shown in the parenthesis or parentheses indicates the optional part.
  - Required QTY marked with "N" Indicates the optional part that should be selected as needed.
  - Required QTY indicates the number of the part used in the block.
- ⑬ **Serial number**
- ⑭ **Type**
  - When the type column is blank, it indicates that the part is applicable to all types.
  - As the type of the actual unit may differ from the "parts catalogue, type" please refer to "Models, types and applicable serial numbers" for confirmation.
- ⑮ **[Dotted box]**
  - Parts enclosed within a dotted line [ ] are covered in a different block.
- ⑯ **[Hollow arrow]**
  - A hollow arrow [ ] indicates the block No. for the parts enclosed within a dotted line [ ] .
- ⑰ **[Solid arrow]**
  - A solid arrow [ ] indicates the block No. the part in question is connected to.

**When the parts were revised**



Ref. No.	Part No.	Description	Reqd. QTY						Serial No.
			BF 99D1	BFP 9.9D1	BF 10D1	BFP 10D1	BF 10B1	BFP 10B1	
1	12166-ZW9-000	STOPPER, ENGINE SIDE .....	2	2	2	2	2	2	
2	12210-ZW9-000ZA	HEAD COMP., CYLINDER *NH8*.....DARK GRAY	1	1	1	1	1	1	
3	12251-ZW9-003	GASKET, CYLINDER HEAD .....	1	1	1	1	1	1	
4	12310-ZW9-000	COVER COMP., HEAD .....	1	1	1	1	1	1	
5	12312-ZW9-000	PACKING, HEAD COVER .....	1	1	1	1	1	1	
6	15611-921-000	CAP, OIL (NO GAUGE) .....	1	1	1	1	1	1	
7	16617-ZW9-000	HOLDER, CABLE (###).....	1	1	1	1	1	1	SC, SG LHC, LHD LHC, LHD
	16617-ZW9-010	.....	1	1	1	1	1	1	

The number has been used from the initial model without revision.

When shown at the left side, it is applicable to the models of No.1001801 and the subsequent numbers.

When shown at the right side, it is applicable to the models up to No.1001800.

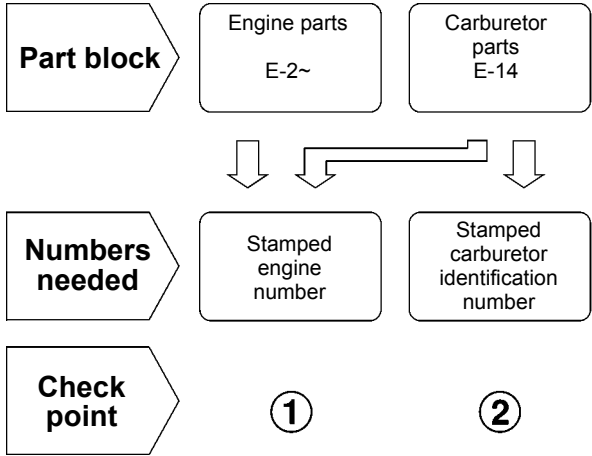
• The parts listed with "###" at the end of the parts name have limited supply period (parts not for sale).

**Abbreviations used in the parts catalogue**

• The following abbreviations are used in the parts name column.

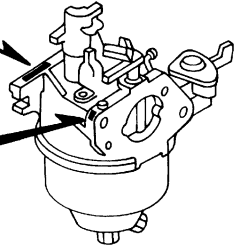
- A ..... Ampere
- A.C. .... Alternating current
- ASSY. .... Assembly
- AT. .... Automatic transmission
- C.D.I. .... Capacitive discharge ignition
- COMP. ... Complete
- D.C. .... Direct current
- EX. .... Exhaust
- G.F.C.I ... Ground fault circuit interruptor
- HEX. .... Hexagonal
- H.S.T. .... Hydrostatic transmission
- FR. ....Front
- IN. ....Inlet
- L (100L) .Link (100 Links)
- L. ....Left
- MM .....Millimeter
- MT. ....Manual Transmission
- P.T.O. ....Power take off
- R. ....Right
- RR. ....Rear
- STD. ....Standard
- T (22T) ...Tooth (22 Teeth)
- V .....Volt
- W .....Watt

How to check the part block and serial numbers



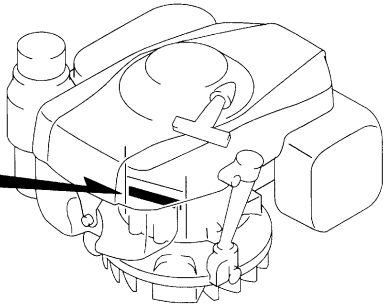
②-B  
CARBURETOR  
IDENTIFICATION NUMBER

②-A  
CARBURETOR  
IDENTIFICATION NUMBER



DZ1V-B

①  
TYPE  
ENGINE SERIAL NUMBER



DZ1V-A



### Models, parts catalogue codes and applicable serial numbers

- Models, parts catalogue codes and applicable serial Nos. given in this parts catalogue can be identified as follows.

Model	Type	Parts catalogue type	Applicable engine serial No.	Applicable carburetor identification No.
GXV160UH2	A1S	A1S	GJABH-1000001~	BE66J A
	A1SA	A1SA		
	A14	A14		
	N1	N1		
	N1F	N1F		
	N15	N15		
	N4	N4		
	N45	N45		
	N5M	N5M		
	N55	N55		BE66J A
	SFL	SFL		
	SFL1	SFL1		
	SFY	SFY		
	SFY1	SFY1		
T1AH	T1AH			

\* Of carburetor identification numbers, only the portions underlined in the example below are used for registration.

BE 66J A KC ナ

Ⓐ Ⓑ

**Features of each type**

• See the following table for the features of each type. (Items in brackets are optional)

Specifications		Model	GXV160UH2														
		Type	A1S	A1SA	A14	N1	N1F	N15	N4	N45	N5M	N55	SFL	SFL1	SFY	SFY1	T1AH
Crankshaft	22.2mmØ Straight		●	●	●	●	●	●									
	25.4mmØ Straight (Flat key-way)								●	●							
	25.4mmØ Straight											●					
	20mmØ Steped thread												●	●	●	●	
	5/8" Stepped thread																●
	M8 Tapered										●						
Flywheel brake			●	●	●												

**1**

## Fuel hose, general purpose hoses and vinyl hose

- The standard part fuel hose, general purpose hose and vinyl hose may be substituted by the coiled bulk part.
- When ordering the standard part fuel hose, general purpose hose and vinyl hose use the bulk part number written in the parts catalog in brackets ( ) underneath the part name.
- When exchanging the hose, cut and use at the specified length as mentioned in the part name.  
(For the method of cutting the bulk part, and method of filling out orders etc., please refer to the instructions issued with the bulk part.)

### Bulk part number of fuel hose, general purpose hose and vinyl hose.

Example: 9 5 0 0 1 - 7 5 0 0 1 - 5 0 M

**Bulk part number:**  
Refers to the bulk part.

**Marking code (fuel hose and general purpose hose)**

**Change code (Vinyl hose)**

Indicates number mark or change sequence, however, the code for the bulk part must be strictly 0 (zero).

**Types of code:**

- |             |  |                |  |              |   |
|-------------|--|----------------|--|--------------|---|
| • Fuel hose | 2: Red outside braid<br>(3 mm inside dia. only)        | • General hose | 1: Ash gray<br>2: Ash gray<br>3: Black<br>5: Black | • Vinyl hose | 1: Clear<br>2: Black<br>3: Light red<br>6: Light red<br>7: Pale black |
|             | 5: Black inside braid                                  |                |  |              |   |
|             | 3: Red (3 mm inside dia. only)                         |                |  |              |   |
|             | 4: Ash gray with red stripe<br>(3 mm inside dia. only) |                |  |              |   |
|             | 6: Black   |                |  |              |   |

**Lengths:**

- 001: 1 m (standard)  
003: 3 m  
008: 8 m } Application or specification of some parts is not settled.

**I.D code: (fuel hose and general purpose hose)**

- |            |                    |                    |                             |                             |
|------------|--------------------|--------------------|-----------------------------|-----------------------------|
| 30: 3.0 mm | 50: 5.0 mm         | 70: 7.0 mm         | 11: 11 mm                   | 12: 12 (outside dia. 17) mm |
| 35: 3.5 mm | 55: 5.3 mm, 5.5 mm | 75: 7.3 mm, 7.5 mm | 91: 12 (outside dia. 15) mm | 14: 14 mm                   |
| 45: 4.5 mm | 65: 6.5 mm         | 80: 8.0 mm         | 92: 12 (outside dia. 16) mm | 17: 17 mm                   |

**ID./OD. code: (vinyl hose)**

- |                         |                          |                           |                           |                           |
|-------------------------|--------------------------|---------------------------|---------------------------|---------------------------|
| 01: ID. 2.9, OD. 6.8 mm | 12: ID. 5.0, OD. 7.0 mm  | 21: ID. 8.0, OD. 9.0 mm   | 37: ID. 11.0, OD. 15.0 mm | 50: ID. 16.0, OD. 19.0 mm |
| 03: ID. 3.0, OD. 6.0 mm | 10: ID. 5.0, OD. 8.0 mm  | 23: ID. 8.0, OD. 12.0 mm  | 38: ID. 12.0, OD. 13.0 mm | 55: ID. 17.5, OD. 20.5 mm |
| 05: ID. 3.5, OD. 6.5 mm | 11: ID. 5.0, OD. 9.0 mm  | 25: ID. 9.0, OD. 11.0 mm  | 39: ID. 12.0, OD. 14.0 mm | 60: ID. 22.0, OD. 27.0 mm |
| 07: ID. 4.0, OD. 7.0 mm | 14: ID. 6.0, OD. 9.0 mm  | 27: ID. 9.0, OD. 13.0 mm  | 40: ID. 12.0, OD. 16.0 mm |                           |
| 08: ID. 4.5, OD. 6.5 mm | 17: ID. 7.0, OD. 9.0 mm  | 33: ID. 10.0, OD. 14.0 mm | 43: ID. 13.0, OD. 15.0 mm |                           |
| 09: ID. 4.5, OD. 8.0 mm | 19: ID. 7.0, OD. 11.0 mm | 36: ID. 11.0, OD. 13.0 mm | 45: ID. 14.0, OD. 18.0 mm |                           |

**Hose type:**

- 1: Fuel hose  
3: Vinyl hose  
5: General hose

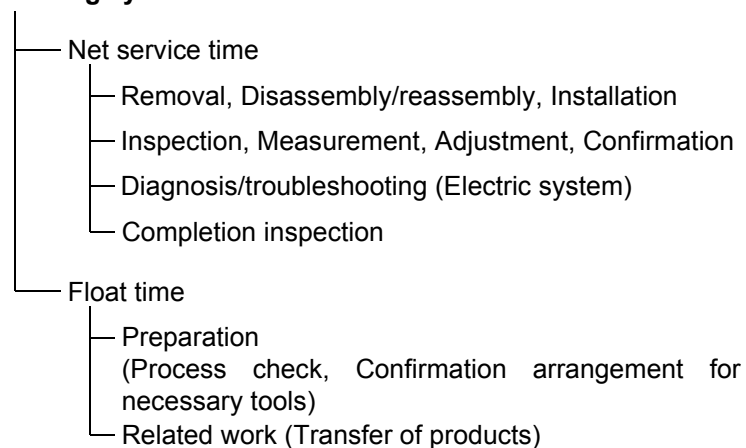
⊙ **CAUTION: It is DANGEROUS to confuse the fuel hose with the general purpose hose or vinyl hose.**

Never use a general purpose hose or vinyl hose in place of a fuel hose or vice versa. Always use the correct bulk part in the parts catalogue, according to the service manual or the instructions issued with the bulk part.

## FLAT RATE SERVICE TIME

Flat rate service time (FRT) means the standard time required to service a product, which is listed in this manual to help the dealers control the actual working process and calculate the service charge by using it as a guide.

### FRT setting system



\* Float time is set by multiplying the net service time by a given coefficient.

### Editorial style

The service items shown in the text are listed with the exchange work time for the repair sales parts as the subject. Other representative service items not using repair parts (removal/installation, adjustment, inspection/measuring, and other work) are listed collectively in the list in the preface, classified according to the work.

### FRT setting standard

- Decimal system (in unit of 0.1) is adopted to set FRT as it is convenient to calculate the wage.  
Example: (0.1) → 6 minutes, (0.2) → 12 minutes  
[Labor cost per hour] x [FRT] = [Wage]
- FRT is set with a hand tool.
- Service items and FRT can be subject to change depending on development of tools and service equipment and improvement in service procedure.

**Work procedure**

- As the work procedure is set with the work time according to the method in the separate Service Manual, refer to this Manual as required.
- Work methods permitting servicing in the shortest time still permitting assurance of safe work and product warranty are used for the setting of service items not listed in the Service Manual.
- Work basically is to be performed by one person, and when two or more people are required, setting is done as the total time for the number of people.
- The set value for the technological level of the workers uses a person with three years of experience in the repair of Honda products as the standard.
- Special tools and service equipment used to set FRT are those specified or recommended in Service Manual.

**Service item whose FRT is not presented**

- Accessories and service parts that are not listed to use in this manual.
  - Locations with little aging deterioration or breakage during normal use.
  - Service work that can be finished by one touch.
  - Service work that is seldom done (i.e. extremely small causes of trouble and service frequency).
  - Products and parts whose location for installation differs according to its status of use and application.
- \* When FRT is not presented, please calculate wages based on appropriate actual work time.

**Operation not included of FRT**

- Oil and coolant water draining, Waiting time for warming up operation and etc..
- Additional operation that involves removal/installation of standard exterior equipment.
- Indirect time spent for service by visiting the customer, trade-in, and delivery.
- Indirect time required for ordering and delivery of parts.
- Cost for grease, adhesive agent, etc. used for service work.

**Explanation of FRT by using an example  
(The example may differ from the actual presented items)**

Ref. No.	L.O.N.	(Relative ref. Number) Description	F.R.T.
①	1111L1	(1, 3, 4, 7) VALVE, INTAKE .....4.1	②
③	1111L1A	• NOTE: OHV type • Includes: Engine removal and installation	⑦
		One head (intake all) add .....1.4	⑤

- ① Reference No. of the illustration of part that shows location of the replacement work.
- ② FRT is an abbreviation of Flat Rate Time indicating the standard service time required for the replacement.
- ③ LON is an abbreviation of Labor Operation Number, and it is a classification of the service items by the work unit code.

The same operation code is used regardless of the models.

Standard operation is indicated with 6 digits code, and additional operation is indicated with 7 digits code.

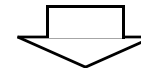
- ④ Indicating the intake valve replacement and FRT4.1.
- ⑤ Indicating FRT1.4 that will be added when additional operation (whole intake side of one cylinder head) is done in association with intake valve replacement.

- ⑥ Indicating work condition or application condition of the service item.
- ⑦ Indicating work contents that are included in the service item.
- ⑧ Indicating a reference No. whose operation and time are the same as FRT4.1 for the intake valve.

(The application range is limited to the service items without an LON setting within a same block.)

**How to refer to the service item by using the sample  
(intake valve replacement)**

Open to the page of the block where the intake valve's spare part illustration is shown.



Look for the intake valve illustration, and refer to the service item and FRT that agree with the reference No.

Indication mark for the listing of service items that continues to the following page

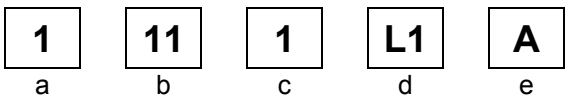
Ref. No.	L.O.N.	(Relative ref. Number) Description	F.R.T.
2	1111L1	VALVE, INTAKE .....	4.1
	.	.	.
	.	.	.

+  
Mark indicated at the last line.

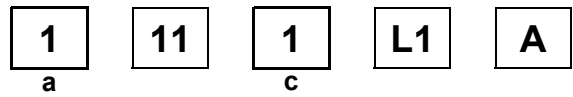
Indication of the block with no setting of FRT

Ref. No.	L.O.N.	(Relative ref. Number) Description	F.R.T.
<b>NO INFORMATION .....</b>			

• LON code system



- a) Category code..... Engine
- b) Location/function code ..... Engine upper
- c) Operation code..... Replace
- d) Operation sequence number (Unit code can be shown with alphabet)  
..... Intake valve  
(No regular rule of code)
- e) Additional code ..... One head (intake all)  
(No regular rule of code)



a) Category codes and classification

Code	Category
1	Engine
2	Power drive
3	Fuel & Exhaust
4	Frame & Body
5	Steering
6	Electrical
7	Axle & Brake
8	Control system
9	-
0	Attachments

c) Operation codes and classification

Code	Operation category
1	Replace, Removal/Installation, Change
2	Overhaul
3	Adjust, Rotation
4	(Paint-related work: Top-coat)
5	Test, Inspect/diagnose, Measurement
6	(Overhaul-related work: Rebore)
7	(Overhaul-related work: Reseal)
8	(Resurface)
9	(Paint-related work: Refinish)
0	Repair, Cleaning, Air bleeding

Major service items without using spare parts

(1) Removal/Installation, (2) Adjustment, (3) Inspection/Measurement, (4) Overhaul, (5) Other work

E: Engine, T: Transmission, D: Drive system, B: Body and related parts

### (1) Removal/Installation

Set with the parts configuration in the status of being removed from the product.

	LON	DESCRIPTION	FRT
E	1111L3	CYLINDER HEAD ASSEMBLY-REMOVAL/INSTALLATION	0.6

### (2) Adjustment

	LON	DESCRIPTION	FRT
E	1113A1	VALVE CLEARANCE-ADJUSTMENT NOTE: For 1 product	0.4
	1163A0	CONTROL, THROTTLE/GOVERNOR-ADJUSTMENT	0.2
	3113A2	CARBURETOR IDLE-ADJUSTMENT	0.1

### (3) Inspection, Measurement, Cleaning

	LON	DESCRIPTION	FRT
E	1105A0	ENGINE OIL-INSPECTION	0.1
	3120A0	AIR CLEANER-CLEANING INCLUDES: Air cleaner-inspection	0.2
	3130A0	SPARK ARRESTER-CLEANING	0.2
	6140A0	SPARK PLUG-ADJUSTMENT/CLEANING NOTE: For 1 product	0.1

### (4) Overhaul

Work condition: The required Measurements, inspections, adjustments, and cleaning/washing of each part are performed, including the main body removal/installation work and the replacement of defective parts.

	LON	DESCRIPTION	FRT
E	3112A0	CARBURETOR-OVERHAUL INCLUDES: All necessary adjustment	0.6

### (5) Other work

	LON	DESCRIPTION	FRT
E	1101E1	ENGINE OIL-CHANGE INCLUDES: Engine oil-inspection	0.1



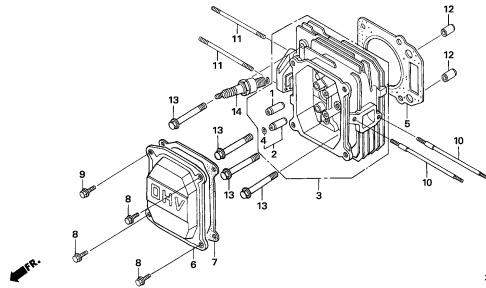
# ENGINE GROUP

**B14**

**E-2**

**CYLINDER HEAD**

**C 1**

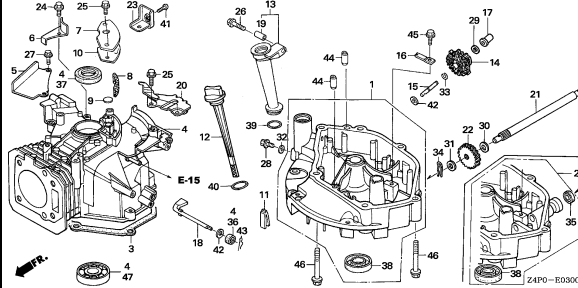


Z4PO-B0200

**E-3**

**CYLINDER BARREL**

**C 2**

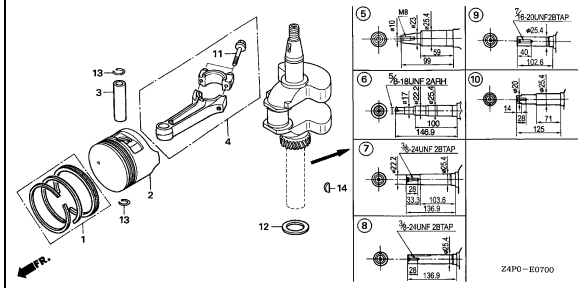


Z4PO-B0300

**E-7**

**CRANKSHAFT/PISTON**

**C 5**

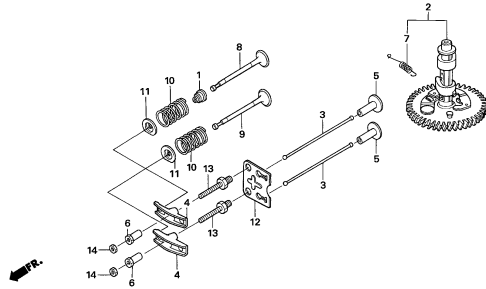


Z4PO-B0700

**E-9**

**CAMSHAFT**

**C 7**

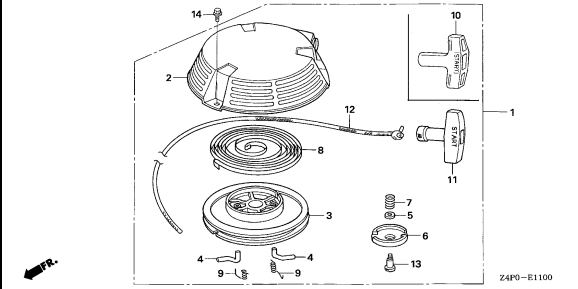


Z4PO-B0900

**E-11**

**RECOIL STARTER**

**C10**

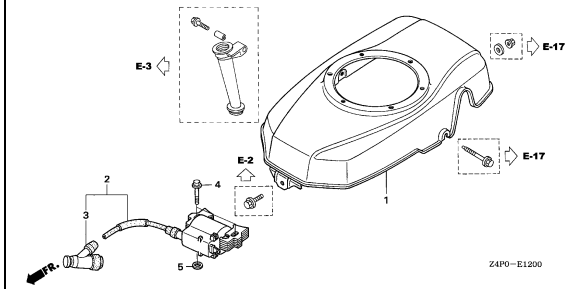


Z4PO-B1100

**E-12**

**FAN COVER**

**C11**

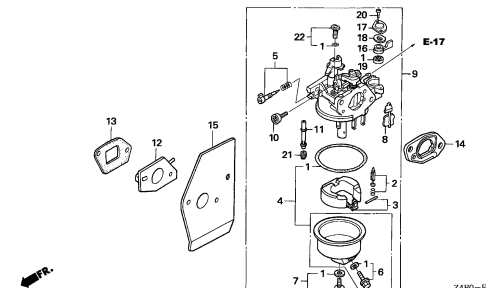


Z4PO-B1200

**E-14**

**CARBURETOR**

**C12**

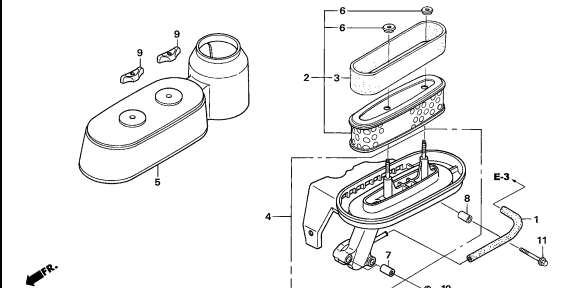


Z4PO-B1400

**E-15**

**AIR CLEANER**

**C14**

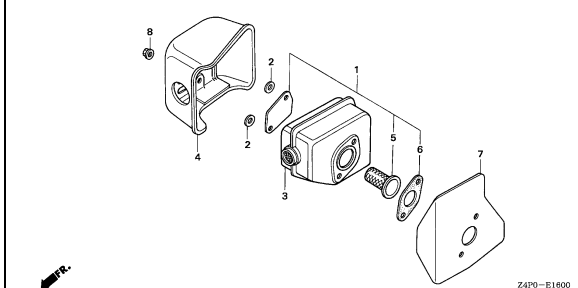


Z4PO-B1500

**E-16**

**MUFFLER**

**C15**



Z4PO-B1600

**2**

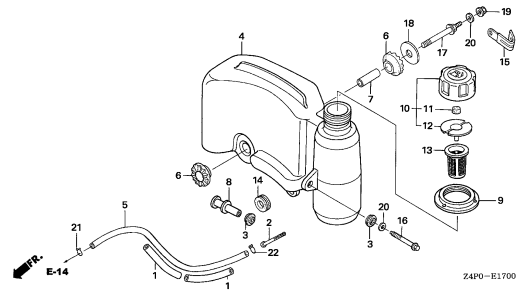
# ENGINE GROUP

**B15**

**E-17**

FUEL TANK

**C16**

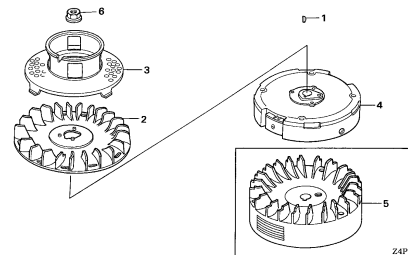


Z4P0-E1700

**E-19**

FLYWHEEL(1)

**D 1**

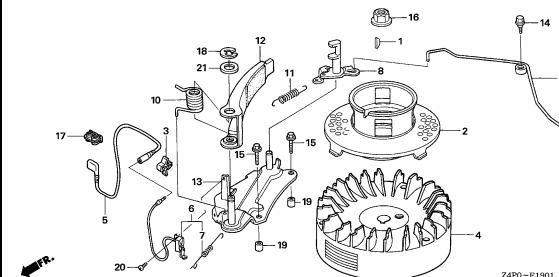


Z4P0-E1900

**E-19-1**

FLYWHEEL(2)

**D 2**

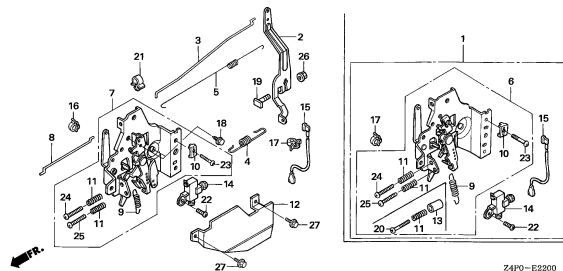


Z4P0-E1901

**E-22**

CONTROL(1)

**D 3**

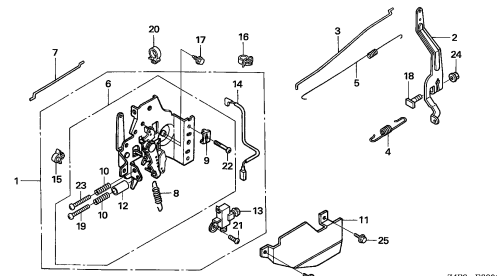


Z4P0-E2200

**E-22-1**

CONTROL(2)

**D 5**

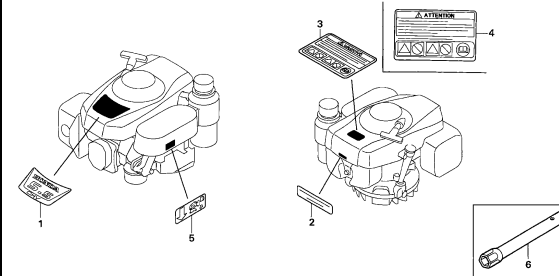


Z4P0-E2201

**E-28**

LABEL/TOOL

**D 6**

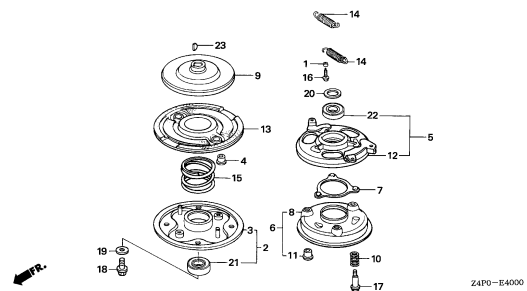


Z4P0-E2800

**E-40**

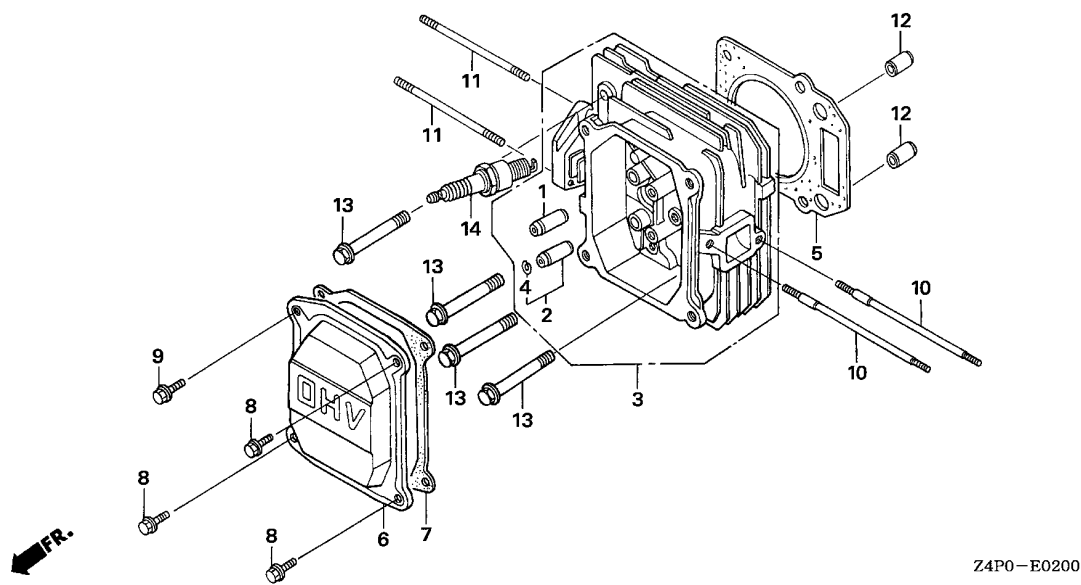
BLADE HOLDER

**D 7**



Z4P0-E4000

**2**



Ref. No.	L.O.N.	(Relative ref. Number) Description	F.R.T.
1	1111E9	GUIDE, INTAKE VALVE ..... .INCLUDES: Valve clearance adjustment	0.8
	1111E9E	.Replace intake and exhaust all add .....	0.2
2	1111E8	GUIDE, EXHAUST VALVE ..... .INCLUDES: Valve clearance adjustment	0.8
	1111E8E	.Replace intake and exhaust all add .....	0.2
3	1111N3	HEAD, CYLINDER ..... .INCLUDES: Valve clearance adjustment and reface	1.0
5	1111N4	GASKET, CYLINDER HEAD .....	0.6
6	1111D5	COVER, CYLINDER HEAD AND/OR PACKING, HEAD COVER .....	0.1
14	6141C1	PLUG, SPARK ..... .INCLUDES: Spark plug check	0.1

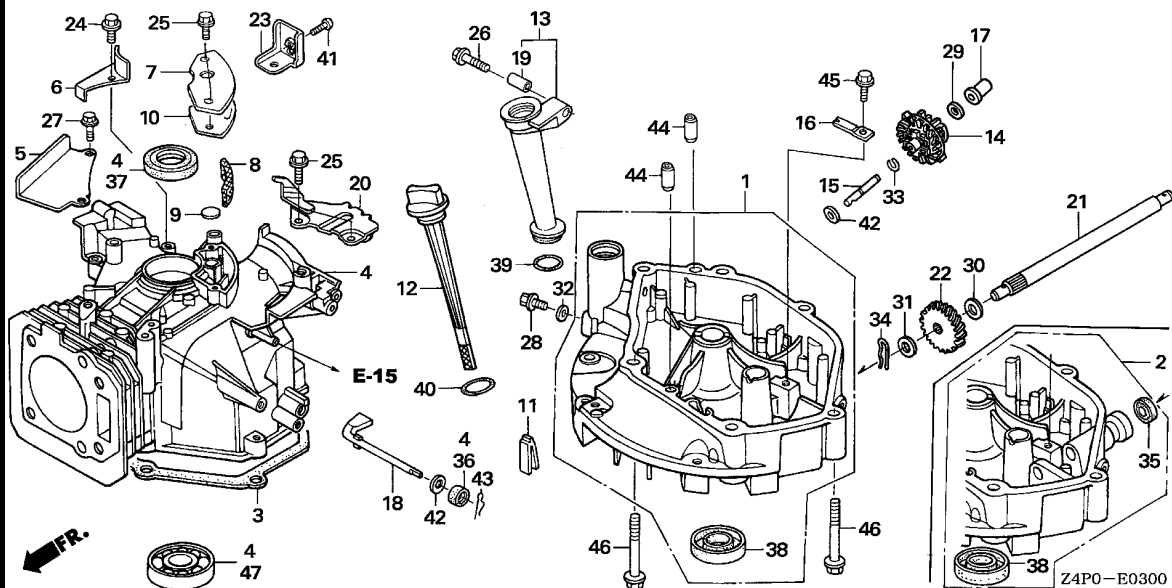
Z4P0-E0200

Ref. No.	Part No.	Description	Reqd. QTY	Serial No.	Parts catalogue code
			GXV 160 UH2		
1	12204-ZE1-306	GUIDE, IN. VALVE (O.S.) .....	(1)		
2	12205-ZE1-315	GUIDE, EX. VALVE (O.S.) .....	(1)		
3	12210-Z1V-000	HEAD COMP., CYLINDER .....	1		
4	12216-ZE5-300	CLIP, VALVE GUIDE .....	1		
5	12251-ZE7-000	GASKET, CYLINDER HEAD .....	1		
6	12311-ZG9-800	COVER, HEAD .....	1		
7	12391-ZE7-M10	PACKING, HEAD COVER .....	1		
8	90013-883-000	BOLT, FLANGE, 6X12(CT200) ...	3		
9	90014-952-000	BOLT, FLANGE, 6X14(CT200) ...	1		
10	90043-ZE6-000	BOLT, STUD, 6X109 .....	2		
11	90048-ZC3-000	BOLT, STUD, 6X85 .....	2		
12	94301-10160	DOWEL PIN, 10X16 .....	2		
13	95701-08050-00	BOLT, FLANGE, 8X50 .....	4		
14	98079-54846	PLUG, SPARK (BPR4ES)(NGK) ...	(1)		
	98079-54855	PLUG, SPARK (W14EPR-U)(DENSO)	(1)		
	98079-55846	PLUG, SPARK (BPR5ES)(NGK) ...	1		
	98079-55855	PLUG, SPARK (W16EPR-U)(DENSO)	1		
	98079-56846	PLUG, SPARK (BPR6ES)(NGK) ...	(1)		
	98079-56855	PLUG, SPARK (W20EPR-U)(DENSO)	(1)		

E-3

CYLINDER BARREL

C 2



Ref. No.	L.O.N.	(Relative ref. Number) Description	F.R.T.
1		(2)	
1131C1		PAN, OIL .....	0.3
1131C2		PACKING, OIL PAN .....	0.3
1101A0		BARREL, CYLINDER .....	1.5
7		(10)	
1111D1		COVER, BREATHER AND/OR PACKING, BREATHER COVER .....	0.2
8	1111E5	FILTER, BREATHER .....	0.2
9	1111K9	VALVE, BREATHER .....	0.2
13		(39)	
1101B9		EXTENSION, OIL FILLER AND/OR PACKING, OIL FILLER EXTENSION .....	0.1
14	1161C4	GOVERNOR ASSEMBLY .....	0.4
17	1161B6	SLIDER, GOVERNOR .....	0.4
18	1161B4	SHAFT, GOVERNOR ARM .....	0.3
21		(35)	
2131J5		SHAFT, DRIVE .....	0.3
22	2131D5	GEAR, DRIVEN .....	0.3
36	1101C4	OIL SEAL, GOVERNOR ARM SHAFT ..	0.3
37	1101E6	OIL SEAL, CRANKSHAFT :UPPER ..	1.1
38	1101E7	OIL SEAL, CRANKSHAFT :LOWER ..	0.3
47	1101J6	BEARING, CRANKSHAFT :UPPER ...	1.2

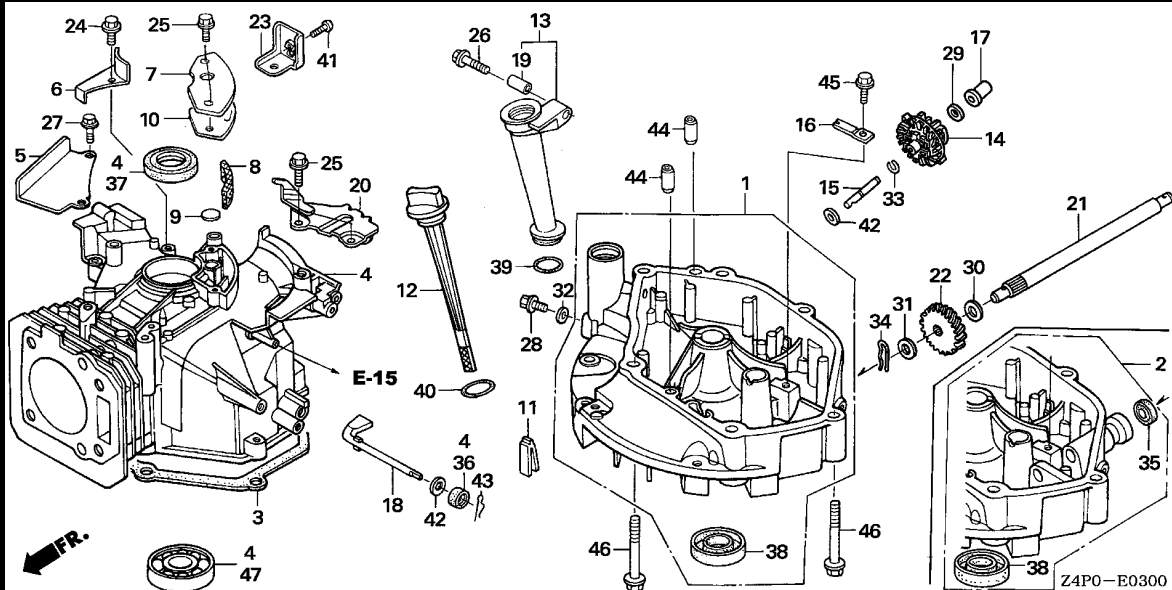
Ref. No.	Part No.	Description	Reqd. QTY		Serial No.	Parts catalogue code
			GXV 160 UH2			
1	11300-Z1V-U90	PAN ASSY., OIL .....	1		N5M	
	11300-Z1V-V50	.....	1		SFY	
	11300-Z1V-000	.....	1		A1S,A1SA,A14,N1,N1F,N15,N4,N45,N55,T1AH	
2	11300-Z1V-800	PAN ASSY., OIL .....	1		SFL,SFL1,SFY1	
3	11381-ZE7-M10	PACKING, OIL PAN .....	1			
4	12000-Z1V-000	BARREL ASSY., CYLINDER .....	1		A1S,A1SA,A14	
	12000-Z2J-000	.....	1		N1,N1F,N15,N4,N45,N5M,N55,SFL,SFL1,SFY,SFY1,T1AH	
5	12125-Z1V-000	PLATE, GUIDE .....	1		N1,N1F,N15,N4,N45,N5M,N55,SFL,SFL1,SFY,SFY1,T1AH	
6	12126-Z1V-000	PLATE A, GUIDE .....	1		N1,N1F,N15,N4,N45,N5M,N55,SFL,SFL1,SFY,SFY1,T1AH	
	12126-Z1V-800	.....	1		A1S,A1SA,A14	
7	12355-Z1V-000	COVER COMP., BREATHER .....	1			
8	12367-883-003	FILTER, BREATHER .....	1			
9	12372-ZE7-000	VALVE, BREATHER .....	1			
10	12373-ZE7-000	PACKING, BREATHER COVER .....	1			
11	15335-ZE7-000	RUBBER, OIL RETURN .....	1			
12	15620-ZE6-810	GAUGE COMP., OIL LEVEL .....	1			
13	15630-ZE6-810	EXTENSION, OIL FILLER .....	1			
14	16510-ZE6-000	GOVERNOR ASSY. ....	1			
15	16515-ZE6-010	SHAFT, GOVERNOR HOLDER .....	1			
16	16525-ZE6-010	PLATE, GOVERNOR SHAFT HOLDER ..	1			
17	16531-Z1T-000	SLIDER, GOVERNOR .....	1			
18	16541-ZE7-000	SHAFT, GOVERNOR ARM .....	1			
19	17240-ZE6-000	COLLAR, EXTENSION .....	1			
20	17560-Z1V-000	STAY COMP., TANK .....	1			
21	23411-ZE7-000	SHAFT, DRIVE .....	1		SFL,SFL1,SFY1	

2

E-3

CYLINDER BARREL

C 3



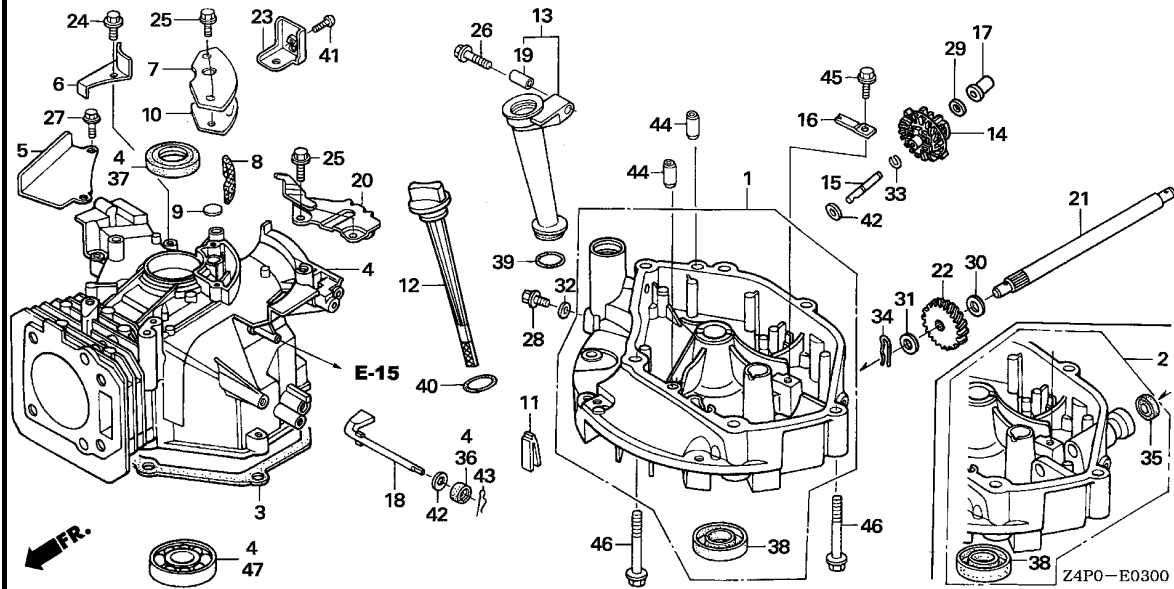
Ref. No.	Part No.	Description	Reqd. QTY	Serial No.	Parts catalogue code
			GXV 160 UH2		
22	23421-ZE6-000	GEAR, DRIVEN (18T) .....	1	-----	SFL,SFL1,SFY1
23	43143-Z1V-000	BASE COMP., HOLDER .....	1	-----	A1S,A1SA,A14
24	90013-883-000	BOLT, FLANGE, 6X12(CT200) ...	1	-----	
25	90014-952-000	BOLT, FLANGE, 6X14(CT200) ...	4	-----	
26	90017-883-000	BOLT, FLANGE, 6X32 .....	1	-----	
27	90022-888-010	BOLT, FLANGE, 6X20(CT200) ...	2	-----	N1,N1F,N15,N4,N45,N5M,N55,SFL,SFL1,SFY,SFY1,T1AH
28	90131-ZE1-000	BOLT, DRAIN PLUG .....	1	-----	
29	90451-ZE1-000	WASHER, THRUST, 6MM .....	1	-----	
30	90452-166-600	WASHER, THRUST, 12MM .....	1	-----	SFL,SFL1,SFY1
31	90452-187-000	WASHER, 10X21 .....	1	-----	SFL,SFL1,SFY1
32	90601-ZE1-000	WASHER, DRAIN PLUG, 10.2MM ..	1	-----	
33	90602-ZE1-000	CLIP, GOVERNOR HOLDER .....	1	-----	
34	90701-ZE6-000	PIN, LOCK, 2.0 .....	1	-----	SFL,SFL1,SFY1
35	91205-Z1V-003	OIL SEAL, 12X20X6.5 .....	1	-----	SFL,SFL1,SFY1
36	91231-Z1V-003	OIL SEAL, 6X11X4 .....	1	-----	
37	91251-Z1V-003	OIL SEAL, 25X38X7 .....	1	-----	
38	91252-Z1V-003	OIL SEAL, 25.4X40X7 .....	1	-----	
39	91301-Z1V-003	O-RING, 22.1X2.2 .....	1	-----	
40	91302-Z1V-003	O-RING, 25.5X3 .....	1	-----	
41	93500-05016-0A	SCREW, PAN, 5X16 .....	1	-----	A1S,A1SA,A14
42	94101-06800	WASHER, PLAIN, 6MM .....	2	-----	
43	94251-08000	PIN, LOCK, 8MM .....	1	-----	
44	94301-08140	DOWEL PIN, 8X14 .....	2	-----	
45	95701-06012-08	BOLT, FLANGE, 6X12 .....	1	-----	

2

E-3

CYLINDER BARREL

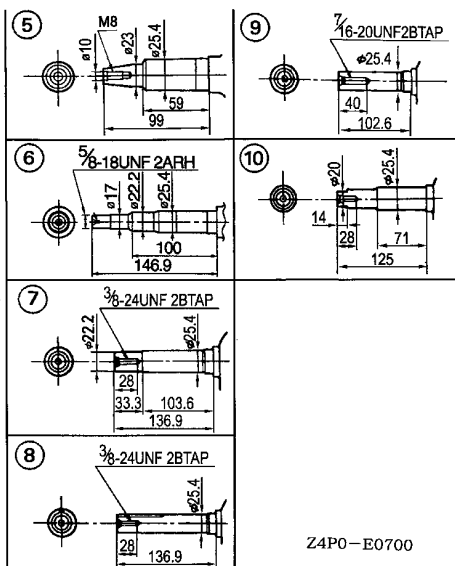
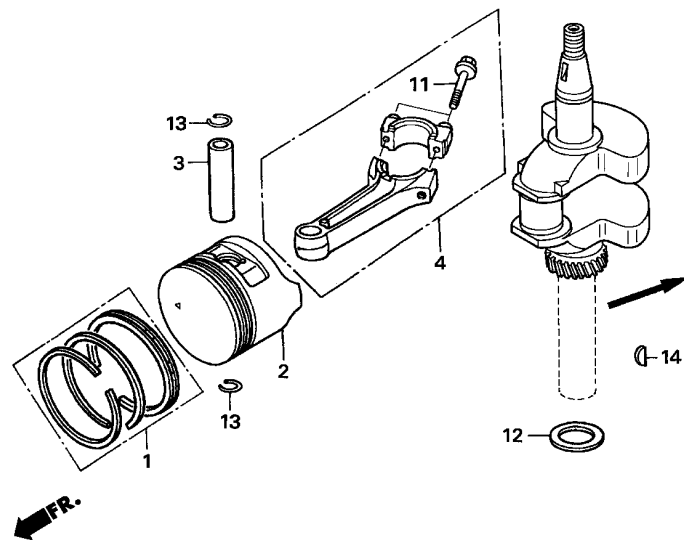
C 4



Ref. No.	Part No.	Description	Reqd. QTY		Serial No.	Parts catalogue code
			GXV 160 UH2			

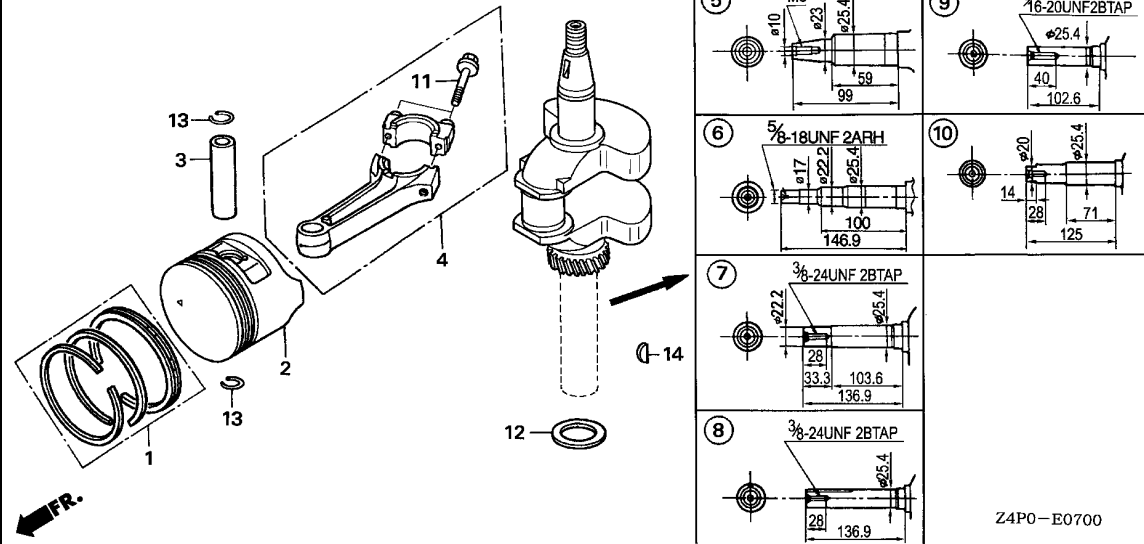
46	95701-08050-00	BOLT, FLANGE, 8X50 .....	6			
47	96100-62050-00	BEARING, RADIAL BALL, 6205 ..	1			

2



Ref. No.	L.O.N.	(Relative ref. Number) Description	F.R.T.
2	1111R1	(1,3,4) PISTON AND/OR RING SET AND/OR BEARING AND/OR ROD ..... .INCLUDES: Inspection/ Measurement/Cleaning	1.2
5	1101F0	(6,7,8,9,10) CRANKSHAFT .....	1.1

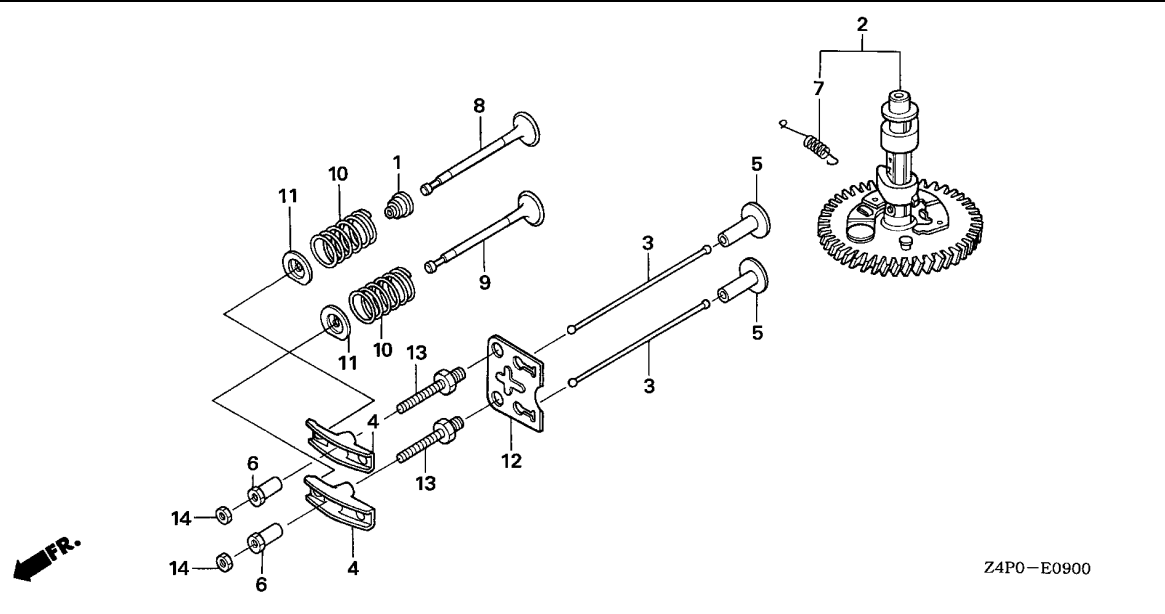
Ref. No.	Part No.	Description	Reqd. QTY	Serial No.	Parts catalogue code
			GXV 160 UH2		
1	13010-ZL0-003	RING SET, PISTON (STD.) (TEIKOKU)	1		
	13010-ZL0-004	RING SET, PISTON (STD.) (NIPPON)	1		
	13011-ZL0-003	RING SET, PISTON (0.25) (TEIKOKU)	(1)		
	13011-ZL0-004	RING SET, PISTON (0.25) (NIPPON)	(1)		
	13012-ZL0-003	RING SET, PISTON (0.50) (TEIKOKU)	(1)		
	13012-ZL0-004	RING SET, PISTON (0.50) (NIPPON)	(1)		
	13013-ZL0-003	RING SET, PISTON (0.75) (TEIKOKU)	(1)		
	13013-ZL0-004	RING SET, PISTON (0.75) (NIPPON)	(1)		
2	13101-Z1T-000	PISTON (STD.) (JIALING-HONDA)	1		
	13102-ZE7-020	PISTON (0.25) .....	(1)		
	13103-ZE7-020	PISTON (0.50) .....	(1)		
	13104-ZE7-020	PISTON (0.75) .....	(1)		
3	13111-Z1T-000	PIN, PISTON .....	1		
4	13200-Z1V-000	ROD ASSY., CONNECTING .....	1		
5	13310-ZE7-U41	CRANKSHAFT COMP. ....	1	----- N5M	
6	13310-ZE7-V20	CRANKSHAFT COMP. ....	1	----- T1AH	
7	13310-ZE7-010	CRANKSHAFT COMP. ....	1	----- A1S,A1SA,A14,N1,N1F,N15	
8	13310-ZE7-641	CRANKSHAFT COMP. ....	1	----- N4,N45	
9	13310-ZE7-661	CRANKSHAFT COMP. ....	1	----- N55	
10	13310-ZE7-771	CRANKSHAFT COMP. ....	1	----- SFL,SFL1,SFY,SFY1	



Ref. No.	Part No.	Description	Reqd. QTY		Serial No.	Parts catalogue code
			GXV 160 UH2			
11	90001-ZE1-000	BOLT, CONNECTING ROD .....	2			
12	90401-ZE7-W00	WASHER, THRUST, 25.6MM .....	1			
13	90551-ZE1-000	CLIP, PISTON PIN, 18MM .....	2			
14	90741-ZV4-000	KEY, SPECIAL, 16X15 .....	1	-----	A1SA	





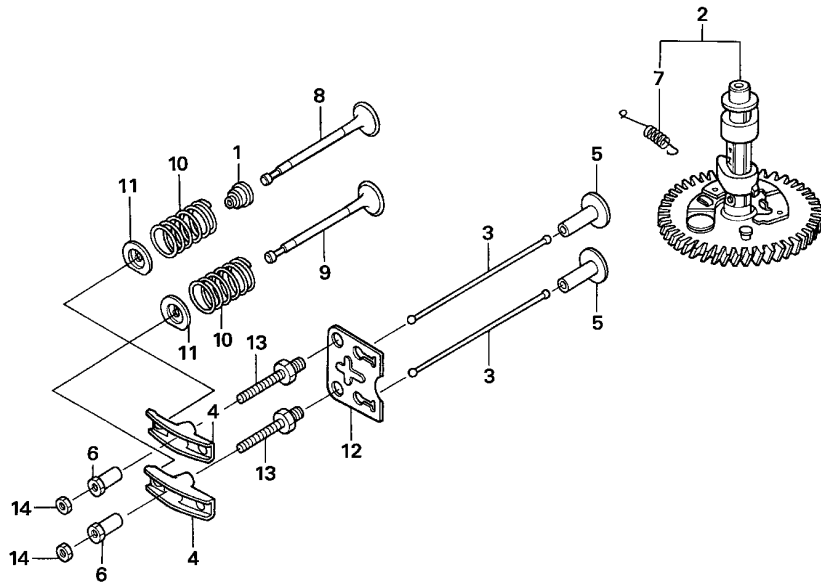


Ref. No.	L.O.N.	(Relative ref. Number) Description	F.R.T.
1	1111K2	SEAL, INTAKE VALVE STEM ..... .INCLUDES: Valve clearance adjustment	0.6
2	1111C2	CAMSHAFT .....	0.6
3	1111L6	ROD, PUSH :INTAKE .....	0.2
		.INCLUDES: Valve clearance adjustment	
	1111L6A	.Replace exhaust push rod add	0.1
	1111L7	ROD, PUSH :EXHAUST .....	0.2
		.INCLUDES: Valve clearance adjustment	
	1111L7A	.Replace intake push rod add	0.1
4	1111A2	ARM, ROCKER :INTAKE .....	0.2
		.INCLUDES: Valve clearance adjustment	
	1111A2A	.Replace exhaust rocker arm add .....	0.1
	1111A1	ARM, ROCKER :EXHAUST .....	0.2
		.INCLUDES: Valve clearance adjustment	
	1111A1A	.Replace intake rocker arm add	0.1
5	1111L9	LIFTER, VALVE :INTAKE .....	0.6
		.NOTE: Same time for two units	

Z4P0-E0900

Ref. No.	Part No.	Description	Reqd. QTY		Serial No.	Parts catalogue code
			GXV 160 UH2			
1	12209-ZE6-003	SEAL, VALVE STEM .....	1			
2	14100-ZE7-000	CAMSHAFT ASSY. ....	1		----- A1S,A1SA,A14,N1,N1F,N15,N4,N45,N5M,N55,T1AH	
	14100-ZE7-770	.....	1		----- SFL,SFL1,SFY,SFY1	
3	14410-ZE1-010	ROD, PUSH .....	2			
4	14431-ZE1-000	ARM, VALVE ROCKER .....	2			
5	14441-ZE1-010	LIFTER, VALVE .....	2			
6	14451-ZE1-013	PIVOT, ROCKER ARM .....	2			
7	14568-ZE1-000	SPRING, WEIGHT RETURN .....	1			
8	14711-ZF1-000	VALVE, IN. ....	1			
9	14721-ZE7-000	VALVE, EX. ....	1			
10	14751-ZE1-000	SPRING, VALVE .....	2			
11	14771-ZE1-000	RETAINER, IN. VALVE SPRING ..	2			
12	14791-ZE1-010	PLATE, PUSH ROD GUIDE .....	1			
13	90012-ZE0-010	BOLT, PIVOT, 8MM .....	2			
14	90206-ZE1-000	NUT, PIVOT ADJUSTING .....	2			

2



Z4P0-E0900

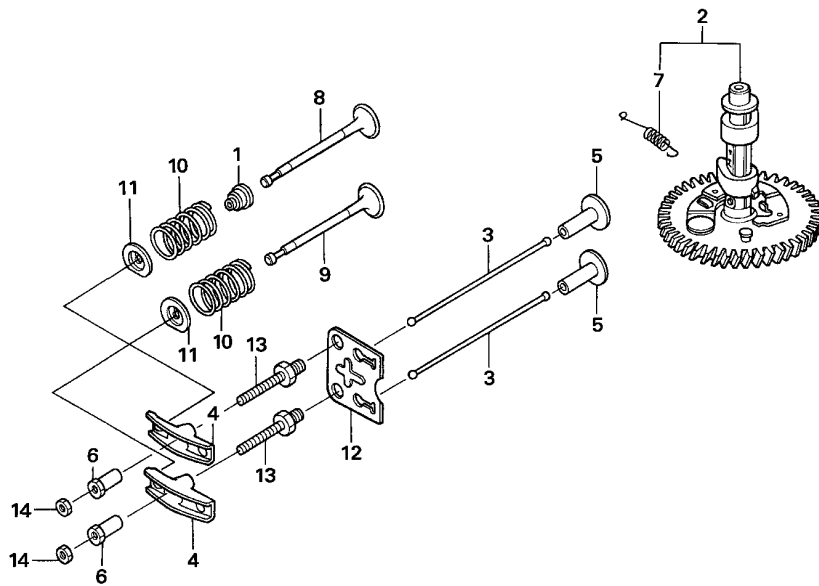
Ref. No.	L.O.N.	(Relative ref. Number) Description	F.R.T.
+ 5		.INCLUDES: Valve clearance adjustment	
1111M0		LIFTER, VALVE :EXHAUST ..... .NOTE: Same time for two units .INCLUDES: Valve clearance adjustment	0.6
8 1111L1		VALVE, INTAKE ..... .INCLUDES: Valve clearance adjustment and reface	0.7
1111L1E		.Replace intake and exhaust all add .....	0.1
9 1111L0		VALVE, EXHAUST ..... .INCLUDES: Valve clearance adjustment and reface	0.7
1111L0E		.Replace intake and exhaust all add .....	0.1
10 1111P3		SPRING, VALVE :INTAKE ..... .INCLUDES: Valve clearance adjustment	0.6
1111P3A		.Replace intake and exhaust all add .....	0.1
1111P4		SPRING, VALVE :EXHAUST ..... .INCLUDES: Valve clearance adjustment	0.6
+			



E-9

# CAMSHAFT

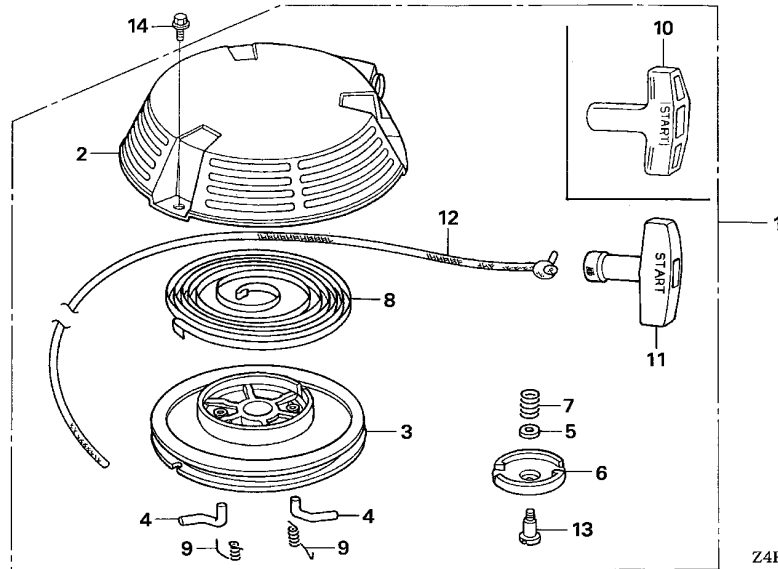
C 9



Z4P0-E0900

Ref. No.	L.O.N. (Relative ref. Number)	Description	F.R.T.
+10	1111P4A	.Replace intake and exhaust all add .....	0.1

2



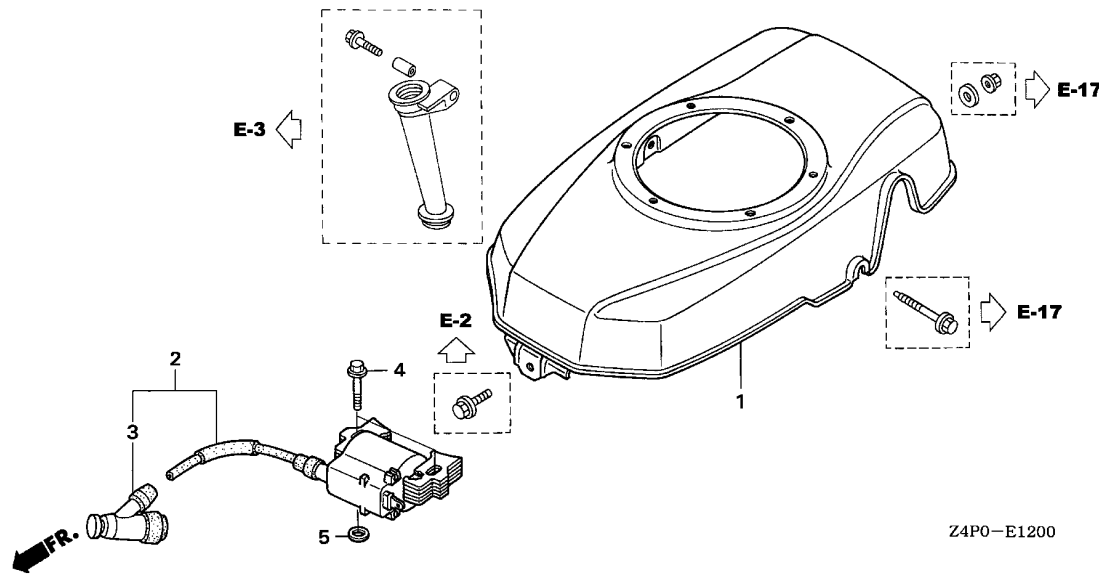
Ref. No.	L.O.N.	(Relative ref. Number) Description	F.R.T.
1	1121B9	STARTER, RECOIL .....	0.1
3	1121B1	REEL, RECOIL STARTER .....	0.3
4	1121B0	RATCHET, STARTER AND/OR SPRING, RATCHET .....	0.2
		.NOTE: Same time for two units (7)	
6	1121A4	GUIDE, RATCHET .....	0.2
8	1121B7	SPRING, RECOIL STARTER RETURN (11) .....	0.3
10	1121A3	GRIP, RECOIL STARTER .....	0.1
12	1121B3	ROPE, RECOIL STARTER .....	0.3



Z4P0-E1100

Ref. No.	Part No.	Description	Reqd. QTY	Serial No.	Parts catalogue code
			GXV 160 UH2		
1	28400-Z1V-003ZA	STARTER ASSY., RECOIL	1	-----	SFL1,T1AH
		*NH1*.....BLACK	1	-----	N1,N4,SFL,SFL1,SFY,SFY1
	28400-Z1V-003ZB	*R280*.....POWER RED	1	-----	
	28400-Z1V-801ZA	STARTER ASSY., RECOIL (LONG ROPE)	1	-----	A1S,A1SA,A14,N1F,N15,N45,N5M,N55
		*NH1*.....BLACK	1	-----	A1S,A1SA,A14,N1F,N15,N45,N5M,N55
	28400-Z1V-801ZB	*R280*.....POWER RED	1	-----	
2	28410-Z1V-003ZA	CASE COMP., RECOIL STARTER	1	-----	A1S,A1SA,A14,N1,N1F,N15,N4,N45,N5M,N55,SFL,SFL1,SFY,SFY1
		*R280*.....POWER RED	1	-----	
	28410-Z1V-003ZB	*NH1*.....BLACK	1	-----	A1S,A1SA,A14,N1F,N15,N45,N5M,N55,SFL1,T1AH
3	28420-Z1V-003	REEL, RECOIL STARTER (BLACK)	1	-----	
4	28422-ZH8-801	RATCHET, STARTER .....	2	-----	
5	28431-ZH8-801	PLATE, FRICTION .....	1	-----	
6	28433-ZH8-801	GUIDE, RATCHET .....	1	-----	
7	28441-ZH8-801	SPRING, FRICTION .....	1	-----	
8	28442-ZH8-003	SPRING, RECOIL STARTER .....	1	-----	
9	28443-ZH8-801	SPRING, RETURN .....	2	-----	
10	28461-ZE1-003	KNOB, RECOIL STARTER .....	1	-----	A1S,A1SA,A14,N1F,N15,N45,N5M,N55
11	28461-ZH8-003	GRIP, STARTER .....	1	-----	N1,N4,SFL,SFL1,SFY,SFY1,T1AH
12	28462-ZH8-003	ROPE, RECOIL STARTER .....	1	-----	N1,N4,SFL,SFL1,SFY,SFY1,T1AH
	28462-Z1V-801	ROPE, RECOIL STARTER (LONG) (2360MM)	1	-----	A1S,A1SA,A14,N1F,N15,N45,N5M,N55
13	90003-ZH8-801	SCREW, SETTING .....	1	-----	
14	95701-06008-00	BOLT, FLANGE, 6X8 .....	3	-----	

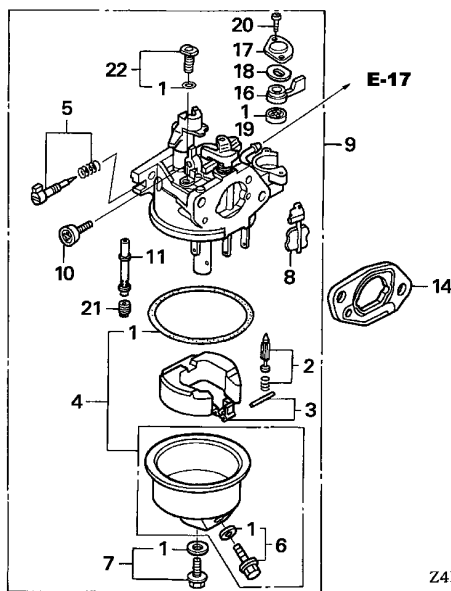
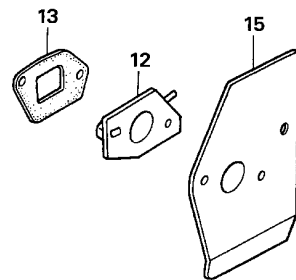




Ref. No.	L.O.N.	(Relative ref. Number) Description	F.R.T.
1	1141G8	COVER, ENGINE COOLING FAN ....	0.2
2	6141A5	COIL, IGNITION(ONE) .....	0.2
3	6141B8	TERMINAL, HIGH TENSION .....	0.1

2

Ref. No.	Part No.	Description	Reqd. QTY		Serial No.	Parts catalogue code
			GXV	160		
1	19610-Z1V-000ZA	COVER COMP., FAN				
		*R280*.....POWER RED	1		A1S,A1SA,A14,N1,N1F,N15,N4,N45,N5M,N55,SFL,SFL1,SFY,SFY1	
	19610-Z1V-000ZB	*NH1*.....BLACK	1		A1S,A1SA,A14,N1F,N15,N45,N5M,N55,SFL1,T1AH	
2	30500-Z1V-003	COIL ASSY., IGNITION .....	1			
3	30700-Z1V-003	CAP ASSY., NOISE SUPPRESSOR .	1			
4	90015-883-000	BOLT, FLANGE, 6X28 .....	2			
5	90581-Z1V-000	WASHER, PLAIN, 6MM .....	2			

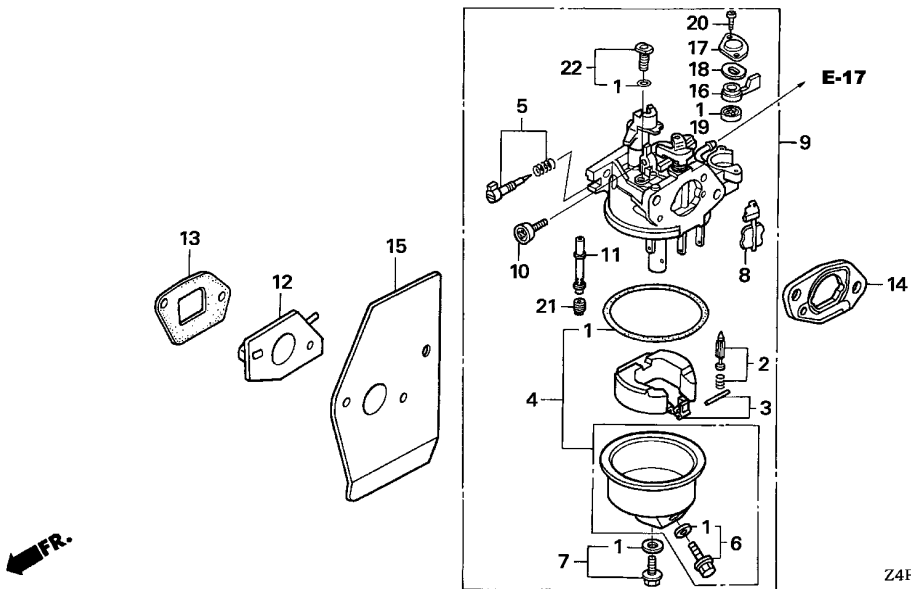


Z4P0-E1400

Ref. No.	L.O.N.	(Relative ref. Number) Description	F.R.T.
1	3111B1	GASKET SET, CARBURETOR	0.3
2	3111E1	VALVE SET, FLOAT AND/OR FLOAT SET	0.3
4	3111A3	CHAMBER SET, FLOAT AND/OR GASKET, FLOAT CHAMBER	0.2
5	3111D7	SCREW SET, PILOT	0.2
9	3111F3	CARBURETOR	0.2
12	3111C0	INSULATOR, CARBURETOR AND/OR PACKING, INSULATOR	0.2
15	3111C8	PACKING, CARBURETOR	0.2
19	3101C5	PACKING, FUEL COCK	0.2
21	3111C3	JET, MAIN	0.3

Ref. No.	Part No.	Description	Reqd. QTY		Serial No.	Parts catalogue code
			GXV 160 UH2			
1	16010-ZE0-025	GASKET SET	1			
2	16011-ZE0-005	VALVE SET, FLOAT	1			
3	16013-ZE0-005	FLOAT SET	1			
4	16015-ZE0-831	CHAMBER SET, FLOAT	1			
5	16016-ZH7-W01	SCREW SET, PILOT	1			
6	16024-ZE1-811	SCREW SET, DRAIN	1			
7	16028-ZE0-005	SCREW SET	1			
8	16045-ZE7-005	CHOKE SET	1			
9	16100-Z1V-J71	CARBURETOR ASSY. (BE66M A)	1		----- N5M	
	16100-Z1V-003	CARBURETOR ASSY. (BE66J A)	1		----- A1S,A1SA,A14,N1,N1F,N15,N4,N45,N55,SFL,SFL1,SFY,SFY1,T1AH	
10	16124-ZE0-005	SCREW, THROTTLE STOP	1			
11	16166-Z1V-J71	NOZZLE, MAIN	1		----- N5M	
	16166-Z1V-003		1		----- A1S,A1SA,A14,N1,N1F,N15,N4,N45,N55,SFL,SFL1,SFY,SFY1,T1AH	
12	16211-ZE7-000	INSULATOR, CARBURETOR	1			
13	16212-ZE7-M10	PACKING, INSULATOR	1			
14	16220-ZE6-010	SPACER COMP., CARBURETOR	1			
15	16221-ZE7-M11	PACKING, CARBURETOR	1			
16	16953-ZE1-812	LEVER, COCK	1			
17	16954-ZE1-812	PLATE, LEVER SETTING	1			
18	16956-ZE1-811	SPRING, COCK LEVER	1			
19	16957-ZE1-812	PACKING, FUEL COCK	1			
20	93500-03006-1H	SCREW, PAN, 3X6	2			
21	99101-ZH8-0600	JET, MAIN, #60	(1)		----- A1S,A1SA,A14,N1,N1F,N15,N4,N45,N55,SFL,SFL1,SFY,SFY1,T1AH	
	99101-ZH8-0620	JET, MAIN, #62	(1)			



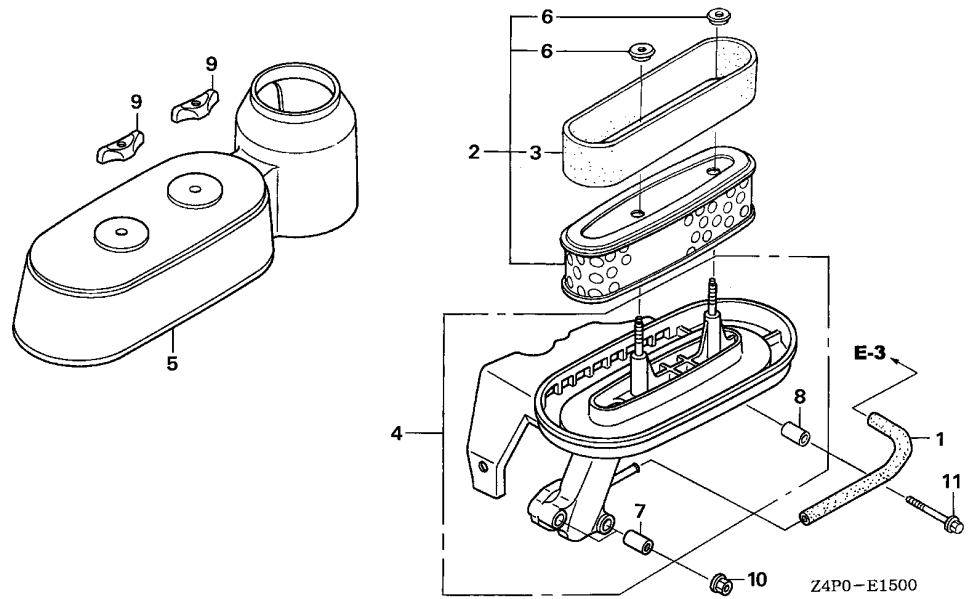


Ref. No.	Part No.	Description	Reqd. QTY		Serial No.	Parts catalogue code
			GXV 160 UH2			
21)	99101-ZH8-0650	JET, MAIN, #65	1		-----	A1S,A1SA,A14,N1,N1F,N15,N4,N45,N55,SFL,SFL1,SFY,SFY1,T1AH
	99101-ZH8-0680	JET, MAIN, #68	(1)		-----	N5M
22	99204-ZE0-0350	JET SET, PILOT, #35	1		-----	N5M

E-15

AIR CLEANER

C14



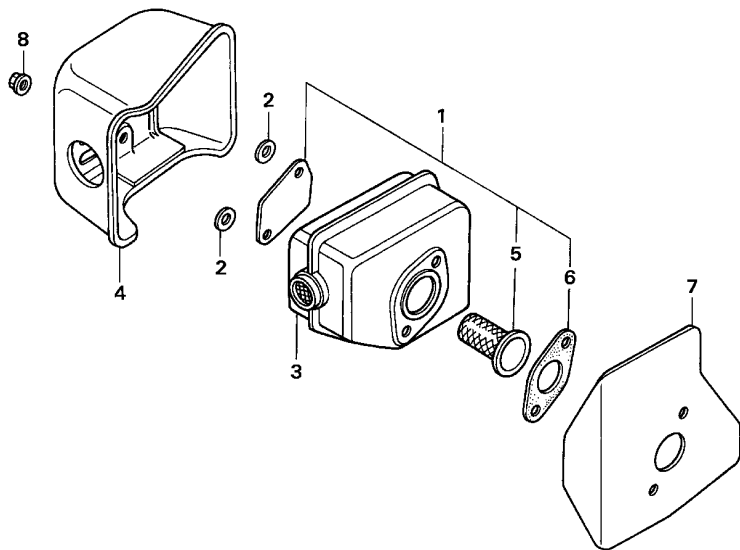
Ref. No.	L.O.N.	(Relative ref. Number) Description	F.R.T.
1	1111K5	TUBE, BREATHER .....	0.1
2	3121B8	ELEMENT, AIR CLEANER .....	0.1
3	3121C1	FILTER, OUTER .....	0.1
4	3121A5	CASE, AIR CLEANER .....	0.2
5	3121B1	COVER, AIR CLEANER .....	0.1

FR.

2

Ref. No.	Part No.	Description	Reqd. QTY		Serial No.	Parts catalogue code
			GXV 160 UH2			
1	15721-ZE7-000	TUBE, BREATHER .....	1			
2	17210-Z1V-003	ELEMENT, AIR CLEANER .....	1			
3	17218-888-003	FILTER, OUTER .....	1			
4	17220-Z1V-000	CASE COMP., AIR CLEANER .....	1			
5	17231-Z1V-000	COVER, AIR CLEANER .....	1			
6	17232-891-000	GROMMET, AIR CLEANER .....	2			
7	17238-ZE7-710	COLLAR, AIR CLEANER .....	2			
8	17239-ZE6-300	COLLAR B, AIR CLEANER .....	1			
9	90300-Z1V-000	NUT, AIR CLEANER .....	2			
10	94050-06000	NUT, FLANGE, 6MM .....	2			
11	95701-06035-00	BOLT, FLANGE, 6X35 .....	1			

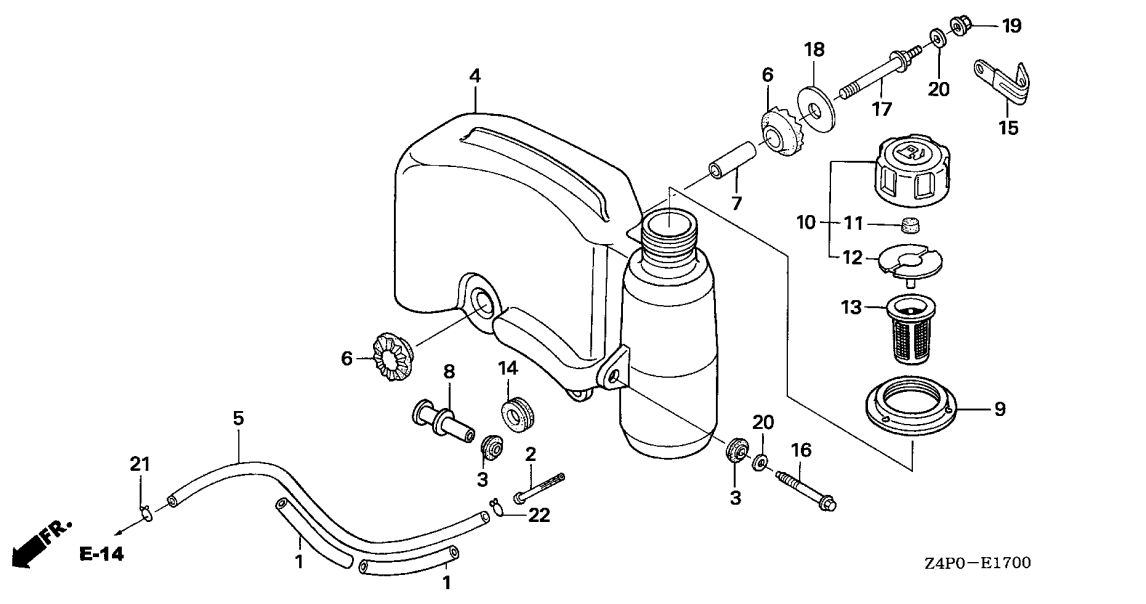




Z4P0-E1600

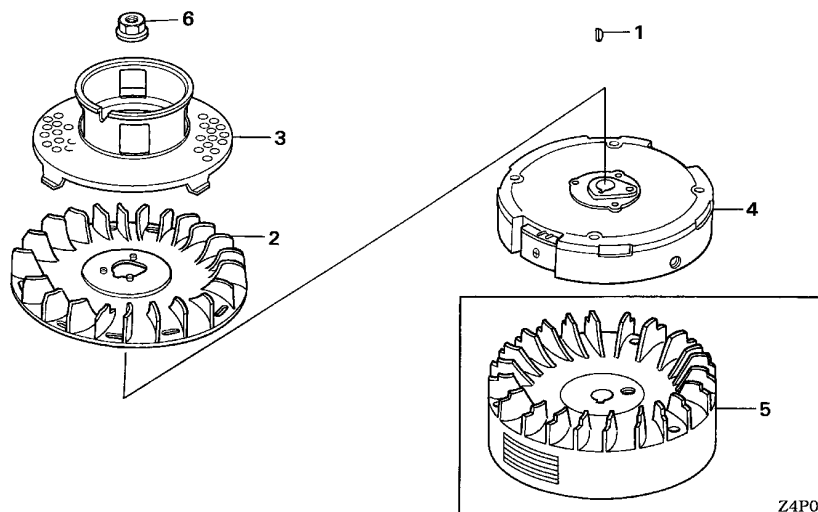
Ref. No.	L.O.N.	(Relative ref. Number) Description	F.R.T.
1	3131A0	ARRESTER KIT, SPARK .....	0.2
3	3131C5	MUFFLER, EXHAUST .....	0.2
4	3131D6	PROTECTOR, EXHAUST MUFFLER ...	0.1
5	3131A1	ARRESTER, SPARK .....	0.2
6	3131B4	GASKET, EXHAUST MUFFLER .....	0.2

Ref. No.	Part No.	Description	Reqd. QTY		Serial No.	Parts catalogue code
			GXV 160 UH2			
1	06180-ZE6-820	ARRESTER KIT, SPARK .....	(1)			
2	18292-ZE7-M10	PACKING, PROTECTOR .....	2	-----	A1S,A1SA,A14,N1F,N15,N4,N45,N5M,N55,SFL,SFL1,SFY,SFY1	
3	18310-Z1V-000	MUFFLER COMP. ....	1			
4	18320-Z1V-000	PROTECTOR COMP., MUFFLER ....	1			
5	18355-888-810	ARRESTER, SPARK .....	(1)			
6	18381-ZE6-820	GASKET, MUFFLER .....	(1)			
7	18381-Z1V-000	GASKET, MUFFLER .....	1			
8	90343-ZE6-000	NUT, SELF-LOCK, 6MM .....	2			



Ref. No.	L.O.N.	(Relative ref. Number) Description	F.R.T.
2	3101H8	STRAINER, FUEL .....	0.2
4	3101H7	TANK, FUEL .....	0.2
5	3101F6	TUBE, FUEL .....	0.1
6	3101M0	RUBBER B, TANK MOUNTING .....	0.2
.NOTE: Same time for two units			
12	3101L9	PACKING, FUEL CAP .....	0.1
13	3101M1	GAUGE, FUEL LEVEL .....	0.1

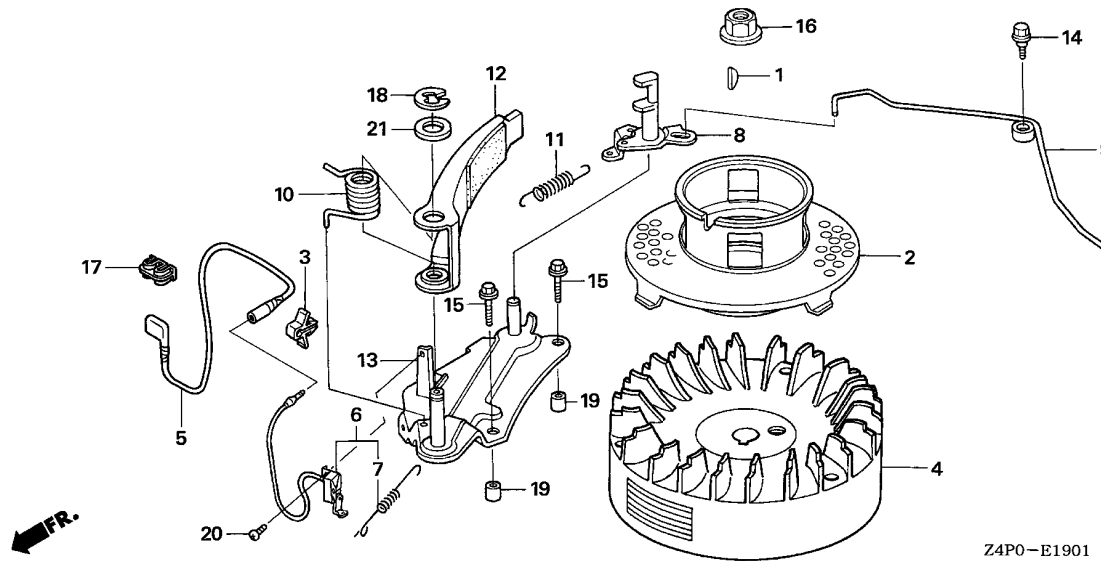
Ref. No.	Part No.	Description	Reqd. QTY		Serial No.	Parts catalogue code
			GXV 160 UH2			
1	16854-ZH8-000	RUBBER, SUPPORTER (107MM) ...	2			
2	16952-Z1V-000	STRAINER, FUEL .....	1			
3	17506-ZE7-000	RUBBER, TANK SETTING .....	2			
4	17510-Z1V-010	TANK COMP., FUEL .....	1			
5	17512-ZE7-000	TUBE, FUEL .....	1			
6	17516-896-700	RUBBER B, TANK MOUNTING .....	2			
7	17518-Z1V-000	COLLAR, TANK SET .....	1			
8	17519-Z1V-000	COLLAR COMP., TANK .....	1			
9	17532-Z1V-000	RUBBER, TANK MOUNTING .....	1			
10	17620-Z1V-000	CAP ASSY., FUEL TANK .....	1			
11	17622-888-010	SPONGE, FUEL CAP BREATHER ...	1			
12	17624-ZE7-000	PACKING, FUEL CAP .....	1			
13	17636-Z1V-010	GAUGE, FUEL LEVEL .....	1			
14	80103-MG2-000	CUSHION, RR. FENDER .....	1			
15	90010-GEO-710	CLIP, TUBE .....	1		----- A1S,A14	
16	90014-Z1V-000	BOLT, FLANGE, 6X47(CT200) ...	1			
17	90016-Z1V-000	BOLT, TANK STAY .....	1			
18	90455-896-700	WASHER, TANK MOUNTING .....	1			
19	94050-06000	NUT, FLANGE, 6MM .....	1			
20	94103-06000	WASHER, PLAIN, 6MM .....	2			
21	95002-02080	CLIP, TUBE (B8) .....	1			
22	95002-70000	CLIP, TUBE (C11) .....	1			



FR.

Ref. No.	L.O.N.	(Relative ref. Number) Description	F.R.T.
2	1141G7	FAN, ENGINE COOLING .....	0.2
3	1121A9	PULLEY, RECOIL STARTER .....	0.2
4		(5)	
	2161B5	FLYWHEEL .....	0.3

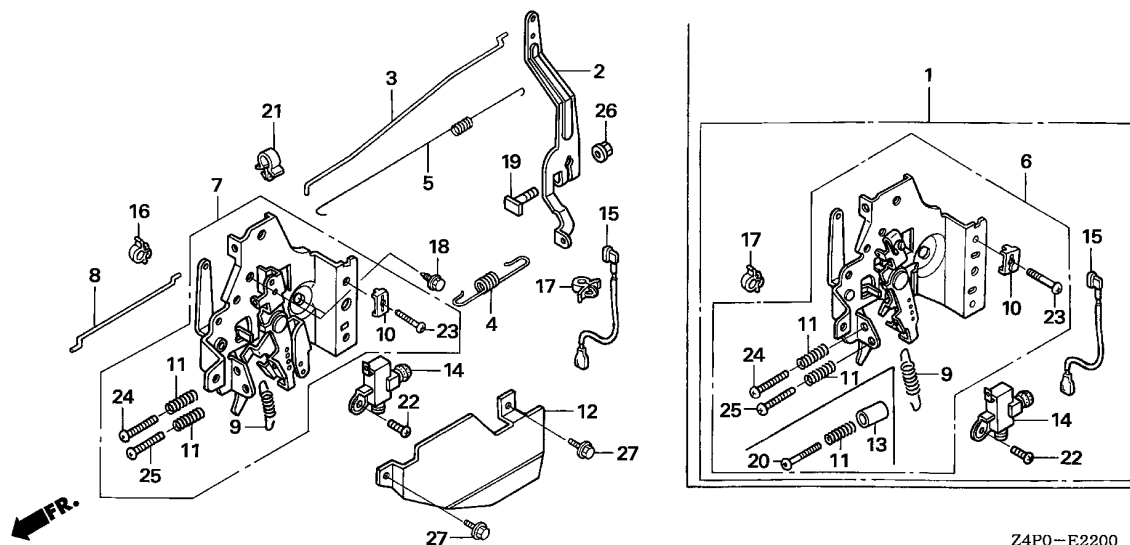
Ref. No.	Part No.	Description	Reqd. QTY		Serial No.	Parts catalogue code
			GXV 160 UH2			
1	13331-357-000	KEY, SPECIAL WOODRUFF, 25X18	1		N1,N1F,N15,N4,N45,N5M,N55,SFL,SFL1,SFY,SFY1,T1AH	
2	19511-Z1T-000	FAN, COOLING .....	1		N1F,N5M,SFL,SFL1,SFY,SFY1	
3	28450-Z1V-000	PULLEY COMP., STARTER .....	1		N1,N1F,N15,N4,N45,N5M,N55,SFL,SFL1,SFY,SFY1,T1AH	
4	31110-Z1V-003	FLYWHEEL COMP. ....	1		N1F,N5M,SFL,SFL1,SFY,SFY1	
5	31110-Z1V-810	FLYWHEEL COMP. (BRAKE) .....	1		N1,N15,N4,N45,N55,T1AH	
6	90201-Z1T-000	NUT, SPECIAL, 14MM .....	1		N1,N1F,N15,N4,N45,N5M,N55,SFL,SFL1,SFY,SFY1,T1AH	



Ref. No.	L.O.N.	(Relative ref. Number) Description	F.R.T.
2	1121A9	PULLEY, RECOIL STARTER .....	0.2
4	2161B5	FLYWHEEL .....	0.3
6	6151D9	SWITCH, ENGINE STOP .....	0.3
8	2161G3	CAM, FLYWHEEL BRAKE .....	0.4
10	2161G2	SPRING, FLYWHEEL BRAKE .....	0.4
11	2161G1	SPRING, FLYWHEEL BRAKE SHOE RETURN .....	0.4

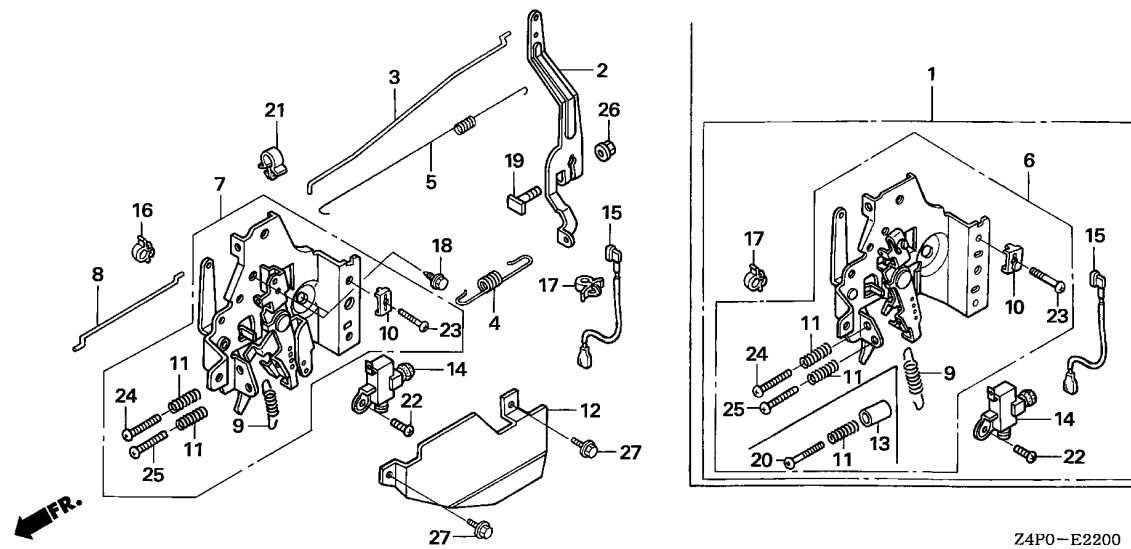
Ref. No.	Part No.	Description	Reqd. QTY		Serial No.	Parts catalogue code
			GXV 160 UH2			
1	13331-357-000	KEY, SPECIAL WOODRUFF, 25X18	1	-----	A1S,A1SA,A14	
2	28450-Z1V-000	PULLEY COMP., STARTER .....	1	-----	A1S,A1SA,A14	
3	30701-883-000	CLIP, HIGH TENSION CORD (8MM)	1	-----	A1S,A1SA,A14	
4	31110-Z1V-810	FLYWHEEL COMP. (BRAKE) .....	1	-----	A1S,A1SA,A14	
5	32195-Z1V-810	CORD, STOP SWITCH (BRAKE) ...	1	-----	A1S,A1SA,A14	
6	35120-Z1V-811	SWITCH ASSY., ENGINE STOP (BRAKE)	1	-----	A1S,A1SA,A14	
7	35129-Z1V-811	SPRING, SWITCH CONTROL .....	1	-----	A1S,A1SA,A14	
8	43140-Z1V-000	CAM COMP., BRAKE .....	1	-----	A1S,A1SA,A14	
9	43145-ZE7-003	ROD, THROTTLE RETURN .....	1	-----	A1S,A1SA,A14	
10	75112-ZE6-000	SPRING, BRAKE .....	1	-----	A1S,A1SA,A14	
11	75113-ZE6-000	SPRING, BRAKE RETURN .....	1	-----	A1S,A1SA,A14	
12	75120-ZE6-013	BRAKE COMP. ....	1	-----	A1S,A1SA,A14	
13	75130-ZE7-000	BASE COMP., BRAKE .....	1	-----	A1S,A1SA,A14	
14	90015-ZE6-000	BOLT, FLANGE, 6MM .....	1	-----	A1S,A1SA,A14	
15	90018-ZE1-000	BOLT, FLANGE, 6X23(CT200) ...	2	-----	A1S,A1SA,A14	
16	90201-Z1T-000	NUT, SPECIAL, 14MM .....	1	-----	A1S,A1SA,A14	
17	90505-MCT-000	CLAMP, PIPE .....	1	-----	A1S,A1SA,A14	
18	90653-723-000	E-RING, 10MM .....	1	-----	A1S,A1SA,A14	
19	90702-ZE6-000	DOWEL PIN, 8X9 .....	2	-----	A1S,A1SA,A14	
20	93500-04008-0A	SCREW, PAN, 4X8 .....	1	-----	A1S,A1SA,A14	
21	94102-12800	WASHER, PLAIN, 12MM .....	1	-----	A1S,A1SA,A14	





Ref. No.	L.O.N.	(Relative ref. Number) Description	F.R.T.
1	(7)		
1	1161A5	CONTROL, THROTTLE/GOVERNOR ...	0.3
2	1161A0	ARM, GOVERNOR .....	0.3
3	1161B1	ROD, GOVERNOR .....	0.3
4	1161C5	SPRING, GOVERNOR .....	0.2
5	1161C2	SPRING, THROTTLE RETURN .....	0.3
8	8101R5	ROD, GOVERNOR CHOKE CONTROL ..	0.2
9	1161C0	SPRING, LEVER .....	0.1
14	6151K1	SWITCH, THROTTLE/GOVERNOR ENGINE STOP .....	0.2
15	6111B3	CORD, STOP SWITCH .....	0.2

Ref. No.	Part No.	Description	Reqd. QTY		Serial No.	Parts catalogue code
			GXV 160 UH2			
1	16500-ZE7-W31	CONTROL ASSY. ....	1	-----	SFL,SFL1,SFY,SFY1	
2	16551-ZE7-000	ARM, GOVERNOR .....	1	-----	N1,N4,N5M,SFL,SFL1,SFY,SFY1,T1AH	
3	16555-ZE7-000	ROD, GOVERNOR .....	1	-----	N1,N4,N5M,SFL,SFL1,SFY,SFY1,T1AH	
4	16561-ZE7-020	SPRING, GOVERNOR .....	1	-----	N1,N4,SFL,SFL1,SFY,SFY1,T1AH	
	16561-ZE7-711	.....	1	-----	N5M	
5	16562-ZE6-000	SPRING, THROTTLE RETURN .....	1	-----	N1,N4,N5M,SFL,SFL1,SFY,SFY1,T1AH	
6	16570-ZE7-W10	CONTROL COMP. ....	1	-----	SFL,SFL1,SFY,SFY1	
	16570-ZE7-772	.....	1	-----	N5M	
7	16570-ZE7-020	CONTROL ASSY. ....	1	-----	N1,N4,T1AH	
8	16573-ZE7-000	ROD, CHOKE .....	1	-----	N1,N4,N5M,SFL,SFL1,SFY,SFY1,T1AH	
9	16576-ZE7-300	SPRING, LEVER .....	1	-----	N1,N4,N5M,SFL,SFL1,SFY,SFY1,T1AH	
10	16576-891-000	HOLDER, CABLE .....	1	-----	N1,N4,N5M,SFL,SFL1,SFY,SFY1,T1AH	
11	16584-883-300	SPRING, CONTROL ADJUSTING ...	2	-----	N1,N4,N5M,SFL,SFL1,SFY,SFY1,T1AH	
12	16585-ZE7-000	PROTECTOR, CONTROL .....	1	-----	N1,N4,N5M,SFL,SFL1,SFY,SFY1,T1AH	
13	16599-ZG1-M10	COLLAR, STOPPER .....	1	-----	SFL,SFL1,SFY,SFY1	
14	36100-ZE7-013	SWITCH ASSY., ENGINE STOP ...	1	-----	N1,N4,N5M,SFL,SFL1,SFY,SFY1,T1AH	
15	36101-ZE7-020	CORD, STOP SWITCH .....	1	-----	N1,N4,N5M,SFL,SFL1,SFY,SFY1,T1AH	
16	36103-ZE1-000	HOLDER, STOP SWITCH CORD ....	1	-----	N1,N4,N5M,SFL,SFL1,SFY,SFY1,T1AH	
17	46392-SC2-003	CLAMP, BRAKE PIPE (GRAY) ....	1	-----	N1,N4,N5M,SFL,SFL1,SFY,SFY1,T1AH	
18	90013-883-000	BOLT, FLANGE, 6X12(CT200) ....	2	-----	N1,N4,N5M,SFL,SFL1,SFY,SFY1,T1AH	
19	90015-ZE5-010	BOLT, GOVERNOR ARM .....	1	-----	N1,N4,N5M,SFL,SFL1,SFY,SFY1,T1AH	
20	90016-ZE7-W00	SCREW, RECESSED, 5X28 .....	1	-----	SFL,SFL1,SFY,SFY1	
21	90659-680-013	CLIP, WIRE HARNESS .....	1	-----	N1,N4,N5M,SFL,SFL1,SFY,SFY1,T1AH	
22	93500-04008-0A	SCREW, PAN, 4X8 .....	1	-----	N1,N4,N5M,SFL,SFL1,SFY,SFY1,T1AH	
23	93500-05016-0A	SCREW, PAN, 5X16 .....	1	-----	N1,N4,N5M,SFL,SFL1,SFY,SFY1,T1AH	



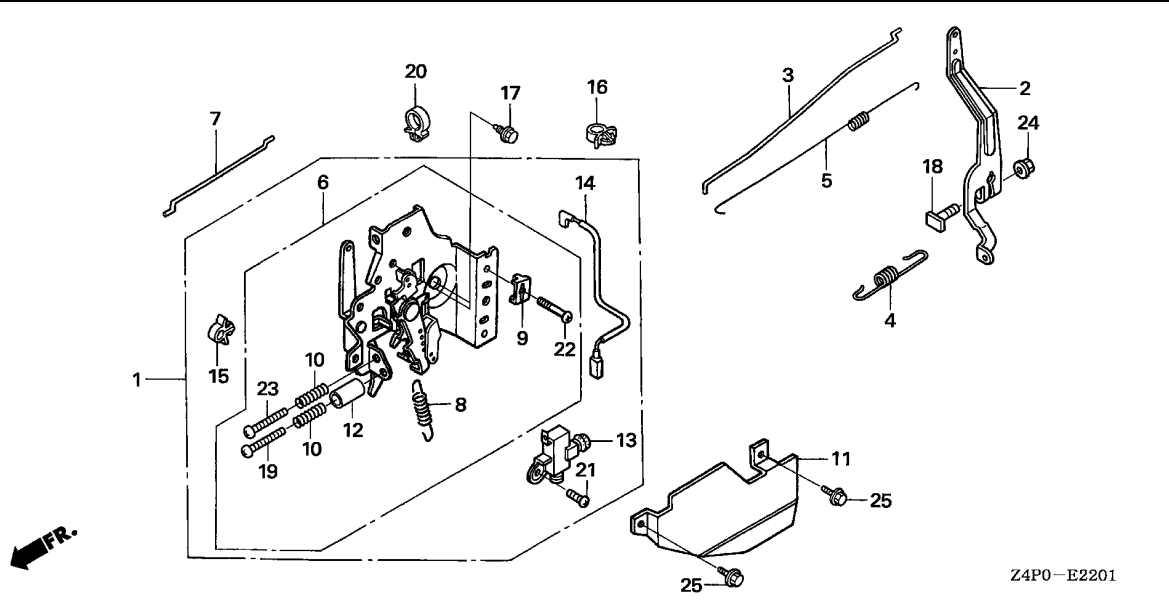
Ref. No.	Part No.	Description	Reqd. QTY		Serial No.	Parts catalogue code
			GXV 160 UH2			
24	93500-05020-0A	SCREW, PAN, 5X20	1		N1,N4,N5M,SFL,SFL1,SFY,SFY1,T1AH	
25	93500-05028-0A	SCREW, PAN, 5X28	1		N1,N4,N5M,T1AH	
26	94050-06000	NUT, FLANGE, 6MM	1		N1,N4,N5M,SFL,SFL1,SFY,SFY1,T1AH	
27	95701-06010-00	BOLT, FLANGE, 6X10	2		N1,N4,N5M,SFL,SFL1,SFY,SFY1,T1AH	



E-22-1

CONTROL(2)

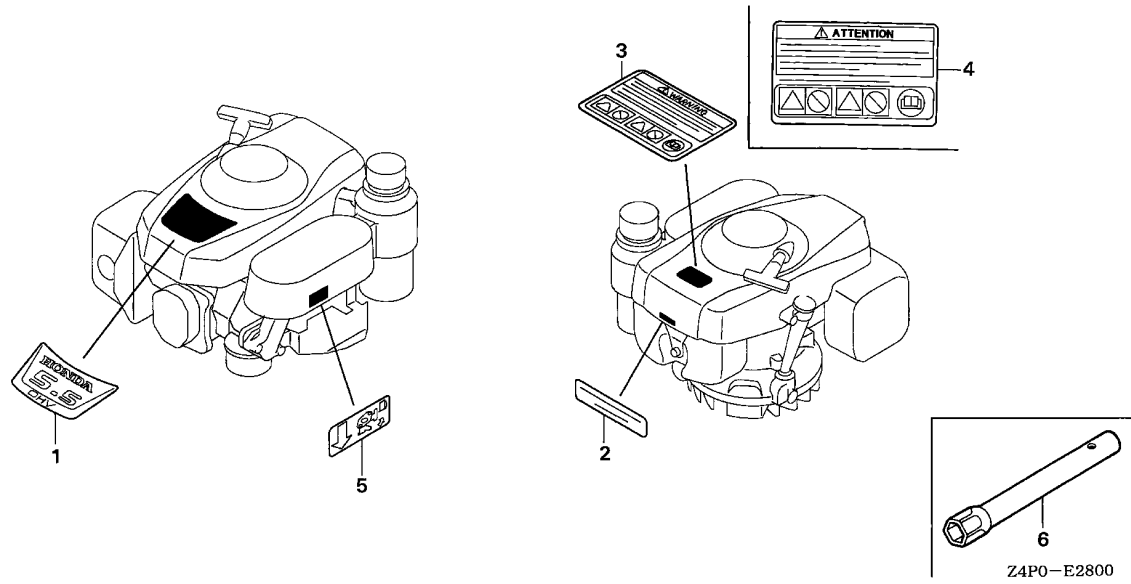
D 5



Ref. No.	L.O.N.	(Relative ref. Number) Description	F.R.T.
1		(6)	
1	1161A5	CONTROL, THROTTLE/GOVERNOR ...	0.3
2	1161A0	ARM, GOVERNOR .....	0.3
3	1161B1	ROD, GOVERNOR .....	0.3
4	1161C5	SPRING, GOVERNOR .....	0.2
5	1161C2	SPRING, THROTTLE RETURN .....	0.3
7	8101R5	ROD, GOVERNOR CHOKE CONTROL ..	0.2
8	1161E4	SPRING, LEVER(A) .....	0.2
13	6151K1	SWITCH, THROTTLE/GOVERNOR ENGINE STOP .....	0.2
14	6111B3	CORD, STOP SWITCH .....	0.2

Z4P0-E2201

Ref. No.	Part No.	Description	Reqd. QTY	Serial No.	Parts catalogue code
			GXV 160 UH2		
1	16500-ZE7-W11	CONTROL ASSY. (EN) (STD.)	1	-----	N1F,N15,N45,N55
2	16551-ZE7-000	ARM, GOVERNOR .....	1	-----	A1S,A1SA,A14,N1F,N15,N45,N55
3	16555-ZE7-000	ROD, GOVERNOR .....	1	-----	A1S,A1SA,A14,N1F,N15,N45,N55
4	16561-ZE7-020	SPRING, GOVERNOR .....	1	-----	A1S,A1SA,A14,N1F,N15,N45,N55
5	16562-ZE6-000	SPRING, THROTTLE RETURN .....	1	-----	A1S,A1SA,A14,N1F,N15,N45,N55
6	16570-ZE7-W00	CONTROL COMP. (STD.)	1	-----	A14,N1F,N15,N45,N55
	16570-ZE7-W20	CONTROL COMP. (EN) (BRILL)	1	-----	A1S,A1SA
7	16573-ZE7-000	ROD, CHOKE .....	1	-----	A1S,A1SA,A14,N1F,N15,N45,N55
8	16576-ZE7-300	SPRING, LEVER .....	1	-----	A1S,A1SA,A14,N1F,N15,N45,N55
9	16576-891-000	HOLDER, CABLE .....	1	-----	A1S,A1SA,A14,N1F,N15,N45,N55
10	16584-883-300	SPRING, CONTROL ADJUSTING	2	-----	A1S,A1SA,A14,N1F,N15,N45,N55
11	16585-ZE7-000	PROTECTOR, CONTROL .....	1	-----	A1S,A1SA,N1F,N15,N45,N55
12	16599-ZG1-M10	COLLAR, STOPPER .....	1	-----	A1S,A1SA,A14,N1F,N15,N45,N55
13	36100-ZE7-013	SWITCH ASSY., ENGINE STOP	1	-----	N1F,N15,N45,N55
14	36101-ZE7-020	CORD, STOP SWITCH .....	1	-----	N1F,N15,N45,N55
15	36103-ZE1-000	HOLDER, STOP SWITCH CORD	1	-----	N1F,N15,N45,N55
16	46392-SC2-003	CLAMP, BRAKE PIPE (GRAY)	1	-----	N1F,N15,N45,N55
17	90013-883-000	BOLT, FLANGE, 6X12(CT200)	2	-----	A1S,A1SA,A14,N1F,N15,N45,N55
18	90015-ZE5-010	BOLT, GOVERNOR ARM .....	1	-----	A1S,A1SA,A14,N1F,N15,N45,N55
19	90016-ZE7-W00	SCREW, RECESSED, 5X28 .....	1	-----	A1S,A1SA,A14,N1F,N15,N45,N55
20	90659-680-013	CLIP, WIRE HARNESS .....	1	-----	A1S,A1SA,A14,N1F,N15,N45,N55
21	93500-04008-0A	SCREW, PAN, 4X8 .....	1	-----	N1F,N15,N45,N55
22	93500-05016-0A	SCREW, PAN, 5X16 .....	1	-----	A1S,A1SA,A14,N1F,N15,N45,N55
23	93500-05020-0A	SCREW, PAN, 5X20 .....	1	-----	A1S,A1SA,A14,N1F,N15,N45,N55
24	94050-06000	NUT, FLANGE, 6MM .....	1	-----	A1S,A1SA,A14,N1F,N15,N45,N55
25	95701-06010-00	BOLT, FLANGE, 6X10 .....	2	-----	A1S,A1SA,N1F,N15,N45,N55



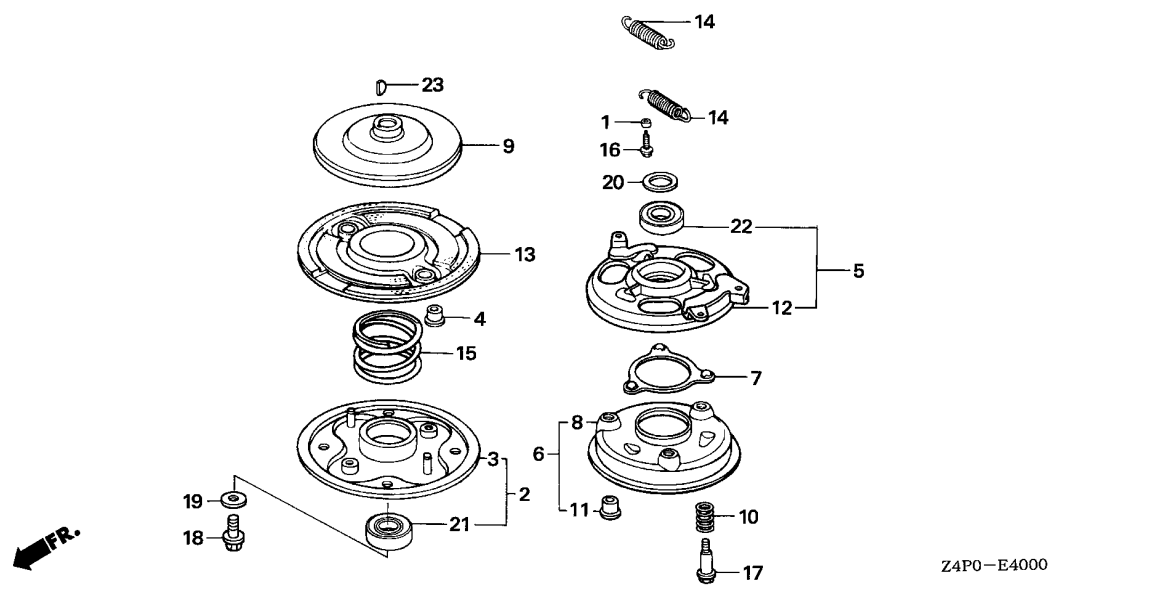
Ref. No.	L.O.N. (Relative ref. Number)	Description	F.R.T.
----------	-------------------------------	-------------	--------

NO INFORMATION .....

Ref. No.	Part No.	Description	Reqd. QTY		Serial No.	Parts catalogue code
			GXV 160 UH2			
1	87101-Z1V-000	MARK, EMBLEM .....	1			
2	87504-Z1V-000	MARK, MANUFACTURER .....	1			
3	87516-Z4N-000	MARK, OPERATOR CAUTION (ENGLISH)(MADE IN CHINA)	1			
	87516-Z4N-810	MARK, OPERATOR CAUTION (FRENCH)(MADE IN CHINA)	(1)			
4	87516-Z4N-800	MARK, OPERATOR CAUTION (PICTOGRAPH)(MADE IN CHINA)	1			
5	87524-Z1V-000	MARK, FUEL COCK CAUTION .....	1			
6	99004-21002	WRENCH, BOX (P21) .....	1	-----	SFL1,SFY,SFY1	
	99004-21003	.....	1	-----	N1,N15,N4,N45,N5M,N55,T1AH	







Z4P0-E4000

Ref. L.O.N. (Relative ref. Number) F.R.T.  
No. Description

NO INFORMATION .....

Ref. No.	Part No.	Description	Reqd. QTY		Serial No.	Parts catalogue code
			GXV 160 UH2			
1	19512-883-000	COLLAR, FAN .....	2	-----	-----	SFL1,SFY1
2	72600-VA4-010	HOLDER ASSY., BLADE .....	1	-----	-----	SFL1,SFY1
3	72610-VA4-000	HOLDER COMP., BLADE .....	1	-----	-----	SFL1,SFY1
4	72613-VA4-000	BUSH, BLADE HOLDER .....	2	-----	-----	SFL1,SFY1
5	75090-VA4-030	PLATE ASSY., BALL CONTROL ...	1	-----	-----	SFL1,SFY1
6	75100-VA4-010	BRAKE COMP. ....	1	-----	-----	SFL1,SFY1
7	75110-VA4-000	RETAINER COMP., BALL .....	1	-----	-----	SFL1,SFY1
8	75120-VA4-010	DISK, BRAKE .....	1	-----	-----	SFL1,SFY1
9	75130-VA4-000	DISK, DRIVE .....	1	-----	-----	SFL1,SFY1
10	75132-VA4-000	SPRING, BRAKE HOLDER .....	3	-----	-----	SFL1,SFY1
11	75133-VA4-000	BUSH, BRAKE HOLDER .....	3	-----	-----	SFL1,SFY1
12	75140-VA4-020	PLATE COMP., BALL CONTROL ...	1	-----	-----	SFL1,SFY1
13	75150-VA3-J01	DISK COMP., DRIVEN .....	1	-----	-----	SFL1,SFY1
14	75182-VA3-J00	SPRING, CLUTCH RETURN (53.0MM)	2	-----	-----	SFL1,SFY1
15	75183-VA3-J00	SPRING, CLUTCH (36.6MM) .....	1	-----	-----	SFL1,SFY1
16	90014-952-000	BOLT, FLANGE, 6X14(CT200) ...	4	-----	-----	SFL1,SFY1
17	90021-VA4-000	BOLT, SPECIAL, 6MM .....	3	-----	-----	SFL1,SFY1
18	90105-960-003	BOLT, HEX., 10X25 .....	1	-----	-----	SFL1,SFY1
19	90409-952-000	WASHER, 10MM .....	1	-----	-----	SFL1,SFY1
20	90501-952-010	WASHER, THRUST .....	1	-----	-----	SFL1,SFY1
21	91102-VA4-013	BEARING, RADIAL BALL, 6204 ..	1	-----	-----	SFL1,SFY1
22	91103-VA4-003	BEARING, RADIAL BALL, 60/22 ..	1	-----	-----	SFL1,SFY1
23	94401-16150	KEY, WOODRUFF, 16X15 .....	1	-----	-----	SFL1,SFY1

# PART NO. INDEX

E 1

Part Number	Address	Page	Ref.	Part Number	Address	Page	Ref.	Part Number	Address	Page	Ref.	Part Number	Address	Page	Ref.	Part Number	Address	Page	Ref.
06000				14000				16570-ZE7-W00 D5 36 6				19610-Z1V-000ZB C11 26 1				43000			
06180-ZE6-820	C15	30	1	14100-ZE7-000	C7	22	2	16570-ZE7-W10	D3	34	6	23000				43140-Z1V-000	D2	33	8
11000				14100-ZE7-770	C7	22	2	16570-ZE7-W20	D5	36	6	23411-ZE7-000 C2 17 21				43143-Z1V-000	C3	18	23
11300-Z1V-000	C2	17	1	14410-ZE1-010	C7	22	3	16573-ZE7-000	D3	34	8	23421-ZE6-000 C3 18 22				43145-ZE7-003	D2	33	9
11300-Z1V-800	C2	17	2	14431-ZE1-000	C7	22	4	16576-891-000	D3	34	10	28000				46000			
11300-Z1V-U90	C2	17	1	14441-ZE1-010	C7	22	5	16576-ZE7-300	D5	36	9	28400-Z1V-003ZA C10 25 1				46392-SC2-003	D3	34	17
11300-Z1V-V50	C2	17	1	14451-ZE1-013	C7	22	6	16584-883-300	D3	34	11	28400-Z1V-003ZB C10 25 1				D5	36	16	
11381-ZE7-M10	C2	17	3	14568-ZE1-000	C7	22	7	16585-ZE7-000	D5	36	10	28400-Z1V-801ZA C10 25 1				72000			
12000				14711-ZF1-000	C7	22	8	16599-ZG1-M10	D3	34	13	28400-Z1V-801ZB C10 25 1				72600-VA4-010	D7	38	2
12000-Z1V-000	C2	17	4	14721-ZE7-000	C7	22	9	16854-ZH8-000	C16	31	1	28410-Z1V-003ZA C10 25 2				72610-VA4-000	D7	38	3
12000-Z2J-000	C2	17	4	14751-ZE1-000	C7	22	10	16952-Z1V-000	C16	31	2	28410-Z1V-003ZB C10 25 2				72613-VA4-000	D7	38	4
12125-Z1V-000	C2	17	5	14771-ZE1-000	C7	22	11	16953-ZE1-812	C12	27	16	28422-ZH8-801 C10 25 4				75000			
12126-Z1V-000	C2	17	6	14791-ZE1-010	C7	22	12	16954-ZE1-812	C12	27	17	28431-ZH8-801 C10 25 5				75090-VA4-030 D7 38 5			
12126-Z1V-800	C2	17	6	15000				16955-ZE1-812	C12	27	17	28443-ZH8-801 C10 25 6				75100-VA4-010	D7	38	6
12204-ZE1-306	C1	16	1	15335-ZE7-000	C2	17	11	16956-ZE1-811	C12	27	18	28444-ZH8-801 C10 25 7				75110-VA4-000	D7	38	7
12205-ZE1-315	C1	16	2	15620-ZE6-810	C2	17	12	16957-ZE1-812	C12	27	19	28445-ZH8-801 C10 25 8				75112-ZE6-000	D2	33	10
12209-ZE6-003	C7	22	1	15630-ZE6-810	C2	17	13	17000				28450-Z1V-000				75113-ZE6-000	D2	33	11
12210-Z1V-000	C1	16	3	15721-ZE7-000	C14	29	1	17210-Z1V-003	C14	29	2	28461-ZE1-003 C10 25 10				75120-VA4-010	D7	38	8
12216-ZE5-300	C1	16	4	16000				17218-888-003	C14	29	3	28461-ZH8-003 C10 25 11				75120-ZE6-013	D2	33	12
12251-ZE7-000	C1	16	5	16010-ZE0-025	C12	27	1	17220-Z1V-000	C14	29	4	28462-Z1V-801 C10 25 12				75130-VA4-000	D7	38	9
12311-ZG9-800	C1	16	6	16011-ZE0-005	C12	27	2	17231-Z1V-000	C14	29	5	28462-ZH8-003 C10 25 12				75130-ZE7-000	D2	33	13
12355-Z1V-000	C2	17	7	16013-ZE0-005	C12	27	3	17232-891-000	C14	29	6	30000				75132-VA4-000	D7	38	10
12367-883-003	C2	17	8	16015-ZE0-831	C12	27	4	17238-ZE7-710	C14	29	7	30500-Z1V-003 C11 26 2				75133-VA4-000	D7	38	11
12372-ZE7-000	C2	17	9	16016-ZH7-W01	C12	27	5	17239-ZE6-300	C14	29	8	30700-Z1V-003 C11 26 3				75140-VA4-020	D7	38	12
12373-ZE7-000	C2	17	10	16024-ZE1-811	C12	27	6	17240-ZE6-000	C2	17	19	30701-883-000				D2	33	3	
12391-ZE7-M10	C1	16	7	16028-ZE0-005	C12	27	7	17506-ZE7-000	C16	31	3	31000				75150-VA3-J01	D7	38	13
13000				16045-ZE7-005	C12	27	8	17510-Z1V-010	C16	31	4	31110-Z1V-003 D1 32 4				75182-VA3-J00	D7	38	14
13010-ZL0-003	C5	20	1	16100-Z1V-003	C12	27	9	17512-ZE7-000	C16	31	5	31110-Z1V-810 D1 32 5				75183-VA3-J00	D7	38	15
13010-ZL0-004	C5	20	1	16100-Z1V-J71	C12	27	9	17516-896-700	C16	31	6	80000				87000			
13011-ZL0-003	C5	20	1	16124-ZE0-005	C12	27	10	17518-Z1V-000	C16	31	7	80103-MG2-000				C16	31	14	
13011-ZL0-004	C5	20	1	16166-Z1V-003	C12	27	11	17519-Z1V-000	C16	31	8	87000				87101-Z1V-000 D6 37 1			
13012-ZL0-003	C5	20	1	16166-Z1V-J71	C12	27	11	17532-Z1V-000	C16	31	9	87504-Z1V-000				D6	37	2	
13012-ZL0-004	C5	20	1	16211-ZE7-000	C12	27	12	17560-Z1V-000	C2	17	20	87516-Z4N-000				D6	37	3	
13013-ZL0-003	C5	20	1	16212-ZE7-M10	C12	27	13	17620-Z1V-000	C16	31	10	87516-Z4N-800				D6	37	4	
13013-ZL0-004	C5	20	1	16220-ZE6-010	C12	27	14	17622-888-010	C16	31	11	87516-Z4N-810				D6	37	3	
13013-ZL0-005	C5	20	1	16221-ZE7-M11	C12	27	15	17624-ZE7-000	C16	31	12	87524-Z1V-000				D6	37	5	
13013-ZL0-006	C5	20	1	16221-ZE7-M11	C12	27	15	17636-Z1V-010	C16	31	13	90000				90001-ZE1-000 C6 21 11			
13101-Z1T-000	C5	20	2	16221-ZE7-M11	C12	27	15	18000				32195-Z1V-810				D2	33	5	
13102-ZE7-020	C5	20	2	16500-ZE7-W31	D3	34	1	18292-ZE7-M10	C15	30	2	35120-Z1V-811				D2	33	6	
13103-ZE7-020	C5	20	2	16500-ZE7-W31	D3	34	1	18310-Z1V-000	C15	30	3	35129-Z1V-811				D2	33	7	
13104-ZE7-020	C5	20	2	16510-ZE6-000	C2	17	14	18320-Z1V-000	C15	30	4	36000				90003-ZH8-801 C10 25 13			
13111-Z1T-000	C5	20	3	16515-ZE6-010	C2	17	15	18355-888-810	C15	30	5	36100-ZE7-013				D3	34	14	
13200-Z1V-000	C5	20	4	16525-ZE6-010	C2	17	16	18381-Z1V-000	C15	30	7	36101-ZE7-020				D3	34	15	
13310-ZE7-010	C5	20	7	16531-Z1T-000	C2	17	17	18381-ZE6-820	C15	30	6	36103-ZE1-000				D5	36	14	
13310-ZE7-641	C5	20	8	16541-ZE7-000	C2	17	18	19000				36103-ZE1-000				D3	34	16	
13310-ZE7-661	C5	20	9	16541-ZE7-000	C2	17	18	19511-Z1T-000	D1	32	2	90012-ZE0-010				C7	22	13	
13310-ZE7-661	C5	20	9	16551-ZE7-000	D3	34	2	19512-883-000	D7	38	1	90013-883-000				C1	16	8	
13310-ZE7-771	C5	20	10	16551-ZE7-000	D3	34	2	19610-Z1V-000ZA	C11	26	1	90013-883-000				C3	18	24	
13310-ZE7-U41	C5	20	5	16555-ZE7-000	D5	36	3	90000				90014-952-000				C1	16	9	
13310-ZE7-V20	C5	20	6	16561-ZE7-020	D3	34	4	90000				90014-952-000				C1	16	9	
13331-357-000	D1	32	1	16561-ZE7-711	D3	34	4	90000				90014-952-000				C1	16	9	
	D2	33	1	16562-ZE6-000	D3	34	5	90000				90014-952-000				C1	16	9	
				16570-ZE7-020	D3	34	7	90000				90014-952-000				C1	16	9	
				16570-ZE7-772	D3	34	6	90000				90014-952-000				C1	16	9	

3

# PART NO. INDEX

E 2

Part Number	Address	Page	Ref.	Part Number	Address	Page	Ref.	Part Number	Address	Page	Ref.	Part Number	Address	Page	Ref.
90014-952-000	C3	18	25	93500-05016-0A	C3	18	41								
	D7	38	16		D3	34	23								
90014-Z1V-000	C16	31	16		D5	36	22								
90015-883-000	C11	26	4	93500-05020-0A	D4	35	24								
90015-ZE5-010	D3	34	19		D5	36	23								
	D5	36	18	93500-05028-0A	D4	35	25								
90015-ZE6-000	D2	33	14												
90016-Z1V-000	C16	31	17	94000											
90016-ZE7-W00	D3	34	20												
	D5	36	19	94050-06000	C14	29	10								
90017-883-000	C3	18	26		C16	31	19								
90018-ZE1-000	D2	33	15		D4	35	26								
90021-VA4-000	D7	38	17		D5	36	24								
90022-888-010	C3	18	27	94101-06800	C3	18	42								
90043-ZE6-000	C1	16	10	94102-12800	D2	33	21								
90048-ZC3-000	C1	16	11	94103-06000	C16	31	20								
90105-960-003	D7	38	18	94251-08000	C3	18	43								
90131-ZE1-000	C3	18	28	94301-08140	C3	18	44								
90201-Z1T-000	D1	32	6	94301-10160	C1	16	12								
	D2	33	16	94401-16150	D7	38	23								
90206-ZE1-000	C7	22	14												
90300-Z1V-000	C14	29	9	95000											
90343-ZE6-000	C15	30	8												
90401-ZE7-W00	C6	21	12	95002-02080	C16	31	21								
90409-952-000	D7	38	19	95002-70000	C16	31	22								
90451-ZE1-000	C3	18	29	95701-06008-00	C10	25	14								
90452-166-600	C3	18	30	95701-06010-00	D4	35	27								
90452-187-000	C3	18	31		D5	36	25								
90455-896-700	C16	31	18	95701-06012-08	C3	18	45								
90501-952-010	D7	38	20	95701-06035-00	C14	29	11								
90505-MCT-000	D2	33	17	95701-08050-00	C1	16	13								
90551-ZE1-000	C6	21	13		C4	19	46								
90581-Z1V-000	C11	26	5												
90601-ZE1-000	C3	18	32	96000											
90602-ZE1-000	C3	18	33												
90653-723-000	D2	33	18	96100-62050-00	C4	19	47								
90659-680-013	D3	34	21												
	D5	36	20	98000											
90701-ZE6-000	C3	18	34												
90702-ZE6-000	D2	33	19	98079-54846	C1	16	14								
90741-ZV4-000	C6	21	14	98079-54855	C1	16	14								
				98079-55846	C1	16	14								
91000				98079-55855	C1	16	14								
				98079-56846	C1	16	14								
				98079-56855	C1	16	14								
91102-VA4-013	D7	38	21												
91103-VA4-003	D7	38	22												
91205-Z1V-003	C3	18	35	99000											
91231-Z1V-003	C3	18	36												
91251-Z1V-003	C3	18	37	99004-21002	D6	37	6								
91252-Z1V-003	C3	18	38	99004-21003	D6	37	6								
91301-Z1V-003	C3	18	39	99101-ZH8-0600	C12	27	21								
91302-Z1V-003	C3	18	40	99101-ZH8-0620	C12	27	21								
				99101-ZH8-0650	C13	28	21								
93000				99101-ZH8-0680	C13	28	21								
				99204-ZE0-0350	C13	28	22								
93500-03006-1H	C12	27	20												
93500-04008-0A	D2	33	20												
	D3	34	22												
	D5	36	21												

3

# PART NAME INDEX

F 1

Part name	Address	Page	Ref.	Part name	Address	Page	Ref.	Part name	Address	Page	Ref.
[ A ]								[ F ]			
ARM, GOVERNOR .....	D3	34	2	CASE COMP., RECOIL STARTER .....	C10	25	2	FAN, COOLING .....	D1	32	2
	D5	36	2	CHAMBER SET, FLOAT .....	C12	27	4	FILTER, BREATHER .....	C2	17	8
ARM, VALVE ROCKER .....	C7	22	4	CHOKE SET .....	C12	27	8	FILTER, OUTER .....	C14	29	3
ARRESTER KIT, SPARK .....	C15	30	1	CLAMP, BRAKE PIPE .....	D3	34	17	FLOAT SET .....	C12	27	3
ARRESTER, SPARK .....	C15	30	5		D5	36	16	FLYWHEEL COMP. ....	D1	32	4
[ B ]											
BARREL ASSY., CYLINDER .....	C2	17	4	CLAMP, PIPE .....	D2	33	17		D2	33	4
BASE COMP., BRAKE .....	D2	33	13	CLIP, GOVERNOR HOLDER .....	C3	18	33				
BASE COMP., HOLDER .....	C3	18	23	CLIP, HIGH TENSION CORD .....	D2	33	3				
BEARING, RADIAL BALL, 60/22 ..	D7	38	22	CLIP, PISTON PIN, 18MM .....	C6	21	13				
BEARING, RADIAL BALL, 6204 ...	D7	38	21	CLIP, TUBE .....	C16	31	15				
BEARING, RADIAL BALL, 6205 ...	C4	19	47								
BOLT, CONNECTING ROD .....	C6	21	11	CLIP, VALVE GUIDE .....	C1	16	4	GASKET SET .....	C12	27	1
BOLT, DRAIN PLUG .....	C3	18	28	CLIP, WIRE HARNESS .....	D3	34	21	GASKET, CYLINDER HEAD .....	C1	16	5
BOLT, FLANGE, 6MM .....	D2	33	14		D5	36	20	GASKET, MUFFLER .....	C15	30	6
BOLT, FLANGE, 6X10 .....	D4	35	27	COIL ASSY., IGNITION .....	C11	26	2				
	D5	36	25	COLLAR B, AIR CLEANER .....	C14	29	8	GAUGE COMP., OIL LEVEL .....	C2	17	12
BOLT, FLANGE, 6X12 .....	C1	16	8	COLLAR COMP., TANK .....	C16	31	8	GAUGE, FUEL LEVEL .....	C16	31	13
	C3	18	24	COLLAR, AIR CLEANER .....	C14	29	7	GEAR, DRIVEN .....	C3	18	22
				COLLAR, EXTENSION .....	C2	17	19	GOVERNOR ASSY. ....	C2	17	14
	D3	34	18	COLLAR, FAN .....	D7	38	1	GRIP, STARTER .....	C10	25	11
	D5	36	17	COLLAR, STOPPER .....	D3	34	13	GROMMET, AIR CLEANER .....	C14	29	6
BOLT, FLANGE, 6X14 .....	C1	16	9	COLLAR, TANK SET .....	C16	31	7	GUIDE, EX. VALVE .....	C1	16	2
	C3	18	25	CONTROL ASSY. ....	D3	34	1	GUIDE, IN. VALVE .....	C1	16	1
	D7	38	16		D5	36	12	GUIDE, RATCHET .....	C10	25	6
BOLT, FLANGE, 6X20 .....	C3	18	27	CONTROL COMP. ....	D3	34	6				
BOLT, FLANGE, 6X23 .....	D2	33	15		D5	36	6	[ H ]			
BOLT, FLANGE, 6X28 .....	C11	26	4	CORD, STOP SWITCH .....	D2	33	5	HEAD COMP., CYLINDER .....	C1	16	3
BOLT, FLANGE, 6X32 .....	C3	18	26		D3	34	15	HOLDER ASSY., BLADE .....	D7	38	2
BOLT, FLANGE, 6X35 .....	C14	29	11	COVER COMP., BREATHER .....	D5	36	14	HOLDER COMP., BLADE .....	D7	38	3
BOLT, FLANGE, 6X47 .....	C16	31	16	COVER COMP., FAN .....	C11	26	7	HOLDER, CABLE .....	D3	34	10
BOLT, FLANGE, 6X8 .....	C10	25	14	COVER, AIR CLEANER .....	C14	29	5		D5	36	9
BOLT, FLANGE, 8X50 .....	C1	16	13	COVER, HEAD .....	C1	16	6	HOLDER, STOP SWITCH CORD .....	D3	34	16
	C4	19	46	CRANKSHAFT COMP. ....	C5	20	5		D5	36	15
BOLT, GOVERNOR ARM .....	D3	34	19					[ I ]			
	D5	36	18					INSULATOR, CARBURETOR .....	C12	27	12
BOLT, HEX., 10X25 .....	D7	38	18					[ J ]			
BOLT, PIVOT, 8MM .....	C7	22	13					JET SET, PILOT, .....	C13	28	22
BOLT, SPECIAL, 6MM .....	D7	38	17	CUSHION, RR. FENDER .....	C16	31	14	JET, MAIN, .....	C12	27	21
BOLT, STUD, 6X109 .....	C1	16	10						C13	28	21
BOLT, STUD, 6X85 .....	C1	16	11	[ D ]							
BOLT, TANK STAY .....	C16	31	17	DISK COMP., DRIVEN .....	D7	38	13				
BRAKE COMP. ....	D2	33	12	DISK, BRAKE .....	D7	38	8				
	D7	38	6	DISK, DRIVE .....	D7	38	9				
BUSH, BLADE HOLDER .....	D7	38	4	DOWEL PIN, 10X16 .....	C1	16	12				
BUSH, BRAKE HOLDER .....	D7	38	11	DOWEL PIN, 8X14 .....	C3	18	44				
				DOWEL PIN, 8X9 .....	D2	33	19				
[ C ]											
CAMSHAFT ASSY. ....	C7	22	2	[ E ]							
CAM COMP., BRAKE .....	D2	33	8	ELEMENT, AIR CLEANER .....	C14	29	2				
CAP ASSY., FUEL TANK .....	C16	31	10	E-RING, 10MM .....	D2	33	18				
CAP ASSY., NOISE SUPPRESSOR ..	C11	26	3	EXTENSION, OIL FILLER .....	C2	17	13				
CARBURETOR ASSY. ....	C12	27	9								
CASE COMP., AIR CLEANER .....	C14	29	4					[ L ]			
								LEVER, COCK .....	C12	27	16
								LIFTER, VALVE .....	C7	22	5

# PART NAME INDEX

F 2

Part name	Address	Page	Ref.	Part name	Address	Page	Ref.	Part name	Address	Page	Ref.
[ M ]				PROTECTOR, CONTROL .....	D5	36	11	SPRING, FRICTION.....	C10	25	7
MARK, EMBLEM .....	D6	37	1	PULLEY COMP., STARTER .....	D1	32	3	SPRING, GOVERNOR.....	D3	34	4
MARK, FUEL COCK CAUTION .....	D6	37	5		D2	33	2		D5	36	4
MARK, MANUFACTURER .....	D6	37	2	[ R ]				SPRING, LEVER.....	D3	34	9
MARK, OPERATOR CAUTION .....	D6	37	3	RATCHET, STARTER .....	C10	25	4		D5	36	8
			4	REEL, RECOIL STARTER .....	C10	25	3	SPRING, RECOIL STARTER.....	C10	25	8
MUFFLER COMP. ....	C15	30	3	RETAINER COMP., BALL .....	D7	38	7	SPRING, RETURN.....	C10	25	9
[ N ]				RETAINER, IN. VALVE SPRING ....	C7	22	11	SPRING, SWITCH CONTROL .....	D2	33	7
NOZZLE, MAIN .....	C12	27	11	RING SET, PISTON .....	C5	20	1	SPRING, THROTTLE RETURN.....	D3	34	5
NUT, AIR CLEANER .....	C14	29	9	ROD ASSY., CONNECTING.....	C5	20	4		D5	36	5
NUT, FLANGE, 6MM .....	C14	29	10	ROD, CHOKE .....	D3	34	8	SPRING, VALVE.....	C7	22	10
	C16	31	19		D5	36	7	SPRING, WEIGHT RETURN.....	C7	22	7
	D4	35	26	ROD, GOVERNOR .....	D3	34	3	STARTER ASSY., RECOIL.....	C10	25	1
	D5	36	24		D5	36	3	STAY COMP., TANK.....	C2	17	20
NUT, PIVOT ADJUSTING .....	C7	22	14	ROD, PUSH .....	D3	34	3	STRAINER, FUEL.....	C16	31	2
NUT, SELF-LOCK, 6MM .....	C15	30	8	ROD, THROTTLE RETURN .....	D5	36	3	SWITCH ASSY., ENGINE STOP.....	D2	33	6
NUT, SPECIAL, 14MM .....	D1	32	6	ROPE, RECOIL STARTER .....	D3	34	3		D3	34	14
	D2	33	16	RUBBER B, TANK MOUNTING .....	D5	36	13		D5	36	13
				RUBBER, OIL RETURN .....	C10	25	12	[ T ]			
[ O ]				RUBBER, SUPPORTER .....	C16	31	1	TANK COMP., FUEL.....	C16	31	4
OIL SEAL, 12X20X6.5 .....	C3	18	35	RUBBER, TANK MOUNTING .....	C16	31	9	TUBE, BREATHER.....	C14	29	1
OIL SEAL, 25X38X7 .....	C3	18	37	RUBBER, TANK SETTING .....	C16	31	3	TUBE, FUEL.....	C16	31	5
OIL SEAL, 25.4X40X7 .....	C3	18	38	[ S ]							
OIL SEAL, 6X11X4 .....	C3	18	36	SCREW SET .....	C12	27	7	[ V ]			
O-RING, 22.1X2.2 .....	C3	18	39	SCREW SET, DRAIN .....	C12	27	6	VALVE SET, FLOAT.....	C12	27	2
O-RING, 25.5X3 .....	C3	18	40	SCREW SET, PILOT .....	C12	27	5	VALVE, BREATHER.....	C2	17	9
[ P ]				SCREW, PAN, 3X6 .....	C12	27	20	VALVE, EX. ....	C7	22	9
PACKING, BREATHER COVER .....	C2	17	10	SCREW, PAN, 4X8 .....	D2	33	20	VALVE, IN. ....	C7	22	8
PACKING, CARBURETOR .....	C12	27	15		D3	34	22	[ W ]			
PACKING, FUEL CAP .....	C16	31	12		D3	34	22	WASHER, 10MM.....	D7	38	19
PACKING, FUEL COCK .....	C12	27	19	SCREW, PAN, 5X16 .....	C3	18	41	WASHER, 10X21 .....	C3	18	31
PACKING, HEAD COVER .....	C1	16	7		D3	34	23	WASHER, DRAIN PLUG, 10.2MM .....	C3	18	32
PACKING, INSULATOR .....	C12	27	13	SCREW, PAN, 5X20 .....	D4	35	24	WASHER, PLAIN, 12MM.....	D2	33	21
PACKING, OIL PAN .....	C2	17	3		D5	36	23	WASHER, PLAIN, 6MM.....	C3	18	42
PACKING, PROTECTOR .....	C15	30	2	SCREW, PAN, 5X28 .....	D4	35	25		C11	26	5
PAN ASSY., OIL .....	C2	17	1	SCREW, RECESSED, 5X28.....	D3	34	20		C16	31	20
					D5	36	19	WASHER, TANK MOUNTING.....	C16	31	18
PIN, LOCK, 2.0 .....	C3	18	34	SCREW, SETTING .....	C10	25	13	WASHER, THRUST .....	D7	38	20
PIN, LOCK, 8MM .....	C3	18	43	SCREW, THROTTLE STOP .....	C12	27	10	WASHER, THRUST, 12MM.....	C3	18	30
PIN, PISTON .....	C5	20	3	SEAL, VALVE STEM .....	C7	22	1	WASHER, THRUST, 25.6MM .....	C6	21	12
PISTON .....	C5	20	2	SHAFT, DRIVE .....	C2	17	21	WASHER, THRUST, 6MM.....	C3	18	29
PIVOT, ROCKER ARM .....	C7	22	6	SHAFT, GOVERNOR ARM .....	C2	17	18	WRENCH, BOX.....	D6	37	6
PLATE ASSY., BALL CONTROL .....	D7	38	5	SHAFT, GOVERNOR HOLDER .....	C2	17	15				
PLATE A, GUIDE .....	C2	17	6	SLIDER, GOVERNOR .....	C2	17	17				
PLATE COMP., BALL CONTROL .....	D7	38	12	SPACER COMP., CARBURETOR .....	C12	27	14				
PLATE, FRICTION .....	C10	25	5	SPONGE, FUEL CAP BREATHER .....	C16	31	11				
PLATE, GOVERNOR SHAFT HOLDER .....	C2	17	16	SPRING, BRAKE .....	D2	33	10				
PLATE, GUIDE .....	C2	17	5	SPRING, BRAKE HOLDER .....	D7	38	10				
PLATE, LEVER SETTING .....	C12	27	17	SPRING, BRAKE RETURN .....	D2	33	11				
PLATE, PUSH ROD GUIDE .....	C7	22	12	SPRING, CLUTCH .....	D7	38	15				
PLUG, SPARK .....	C1	16	14	SPRING, CLUTCH RETURN .....	D7	38	14				
PROTECTOR COMP., MUFFLER .....	C15	30	4	SPRING, COCK LEVER .....	C12	27	18				
PROTECTOR, CONTROL .....	D3	34	12	SPRING, CONTROL ADJUSTING .....	D3	34	11				
					D5	36	10				



---

**1**

**FOREWORD INDEX**

---

**2**

**ENGINE GROUP**

---

**3**

**PART NUMBER INDEX**

---

**4**

**PART NAME INDEX**

---





**HONDA**  
The Power of Dreams



# PARTS CATALOGUE NEWS

Honda Motor Co., Ltd. Service Division

## PARTS CATALOGUE - CORRECTED

Printed in Japan

CODE NO.	BOOKLET TYPE	13Z4P601
	MICRO-FICHE	13Z4P6EA/FA
PARTS CATALOGUE TITLE	GXV160UH2	
NEWS NO.	001	

Block No.	Ref. No.	Note	Part No.	Description	Reqd. QTY	Serial No.	Parts catalogue code
					GXV 160 UH2		
E-14	3	L	16013-ZE0-005	FLOAT SET	1	----- BE66J A	A1S, A1SA, A14, N1, N1F, N15, N4, N45, N55, SFL, SFL1, SFY, SFY1, T1AH
				(CARBURETOR NO.)	1	----- BE66M A	N5M
	D	16013-Z0S-B01	.....	1	BE66N A		
			(CARBURETOR NO.)				
	8	L	16045-ZE7-005	CHOKE SET	1	----- BE66J A	A1S, A1SA, A14, N1, N1F, N15, N4, N45, N55, SFL, SFL1, SFY, SFY1, T1AH
				(CARBURETOR NO.)	1	----- BE66M A	N5M
	D	16044-ZE0-005	.....	1	BE66N A		
			(CARBURETOR NO.)				
	11	L	16166-Z1V-J71	NOZZLE, MAIN	1	----- BE66M A	N5M
				(CARBURETOR NO.)	1	----- BE66J A	A1S, A1SA, A14, N1, N1F, N15, N4, N45, N55, SFL, SFL1, SFY, SFY1, T1AH
D		16166-Z1V-801	.....	1	BE66N A		
			(CARBURETOR NO.)				

NOTE A:PART NO. CHANGE D:NEWLY PROVIDED E:PART NO. DELETION K:REQUIRED NO. CORRECTION L:APPLICATION SERIAL NO. CORRECTION  
 T:APPLICATION CORRECTION Z:REMARKS CHANGE

## PARTS CATALOGUE NEWS

BOOKNo. : 13Z4P601

Block No.	Ref. No.	Note	Part No.	Description	Reqd. QTY		Serial No.	Parts catalogue code
					GXV 160 UH2			
	21	L	99101-ZH8-0600	JET, MAIN, #60 (CARBURETOR NO.)	(1)	-----	BE66J A	A1S, A1SA, A14, N1, N1F, N15, N4, N45, N55, SFL, SFL1, SFY, SFY1, T1AH
		K	99101-ZH8-0650	JET, MAIN, #65 (CARBURETOR NO.)	1	-----	BE66J A	A1S, A1SA, A14, N1, N1F, N15, N4, N45, N55, SFL, SFL1, SFY, SFY1, T1AH
				(CARBURETOR NO.)	(1)	-----	-----	N5M
				(CARBURETOR NO.)	(1)	-----	BE66N A	A1S, A1SA, A14, N1, N1F, N15, N4, N45, N55, SFL, SFL1, SFY, SFY1, T1AH
		D	99101-ZH8-0680	JET, MAIN, #68 (CARBURETOR NO.)	1	-----	BE66N A	A1S, A1SA, A14, N1, N1F, N15, N4, N45, N55, SFL, SFL1, SFY, SFY1, T1AH

NOTE A:PART NO. CHANGE D:NEWLY PROVIDED E:PART NO. DELETION K:REQUIRED NO. CORRECTION L:APPLICATION SERIAL NO. CORRECTION  
T:APPLICATION CORRECTION Z:REMARKS CHANGE



# PARTS CATALOGUE NEWS

Honda Motor Co., Ltd. Service Division

## PARTS CATALOGUE - CORRECTED

Printed in Japan

CODE NO.	BOOKLET TYPE	13Z4P601
	MICRO-FICHE	13Z4P6EA/FA
PARTS CATALOGUE NEWS	GXV160UH2	
NEWS NO.	002	

Block No.	Ref. No.	Note	Part No.	Description	Reqd. QTY		Serial No.	Parts catalogue code
						GXV 160 UH2		
E-3	1	E	11300-Z1V-U90	*PARTS NO. DELETION				
		E	11300-Z1V-V50	*PARTS NO. DELETION				
		E	11300-Z1V-000	*PARTS NO. DELETION				
	D	11300-Z1V-406	PAN ASSY., OIL	1	-----	-----	A1S, A1SA, A14, N1, N1F, N15, N4, N45, N55, T1AH	
	D	11300-Z1V-408	.....	1	-----	-----	N5M	
	D	11300-Z1V-409	.....	1	-----	-----	SFY	
	2	E	11300-Z1V-800	*PARTS NO. DELETION				
D		11300-Z1V-407	PAN ASSY., OIL	1	-----	-----	SFL, SFL1, SFY1	

NOTE A:PART NO. CHANGE D:NEWLY PROVIDED E:PART NO. DELETION K:REQUIRED NO. CORRECTION L:APPLICATION SERIAL NO. CORRECTION  
T:APPLICATION CORRECTION Z:REMARKS CHANGE



# PARTS CATALOGUE NEWS

Honda Motor Co., Ltd. Service Division

## PARTS CATALOGUE - CORRECTED

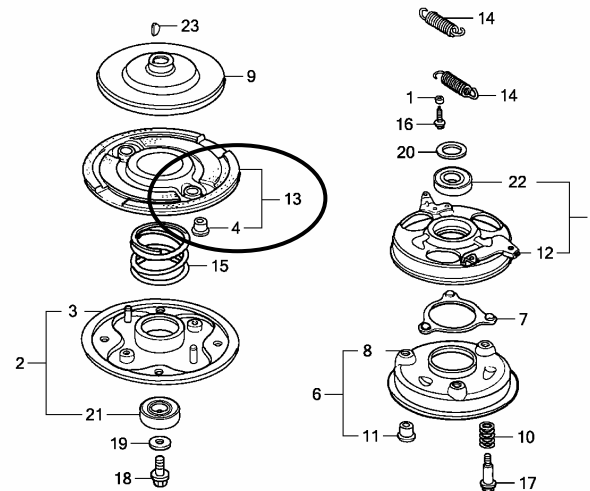
Printed in Japan

CODE NO.	BOOKLET TYPE	13Z4P601
	MICRO-FICHE	13Z4P6EA/FA
PARTS CATALOGUE NEWS	GXV160UH2	
NEWS NO.	003	

Block No.	Ref. No.	Note	Part No.	Description	Reqd. QTY GXV 160 UH2	Serial No.	Parts catalogue code
-----------	----------	------	----------	-------------	--------------------------------	------------	----------------------

E-40 BLADE HOLDER

**ILLUSTRATION CORRECTED**



Z4P0E4000A

NOTE A:PART NO. CHANGE D:NEWLY PROVIDED E:PART NO.DELETION K:REQUIRED NO. CORRECTION L:APPLICATION SERIAL NO. CORRECTION  
T:APPLICATION CORRECTION Z:REMARKS CHANGE



# PARTS CATALOGUE NEWS

Honda Motor Co., Ltd. Service Division

CODE NO.	BOOKLET TYPE	13Z4P601
	MICRO- FICHE	13Z4P6EA/FA
PARTS CATALOGUE NEWS	GXV160UH2	
NEWS NO.	004	

Printed in Japan

## GXV160UH2-A1AS, A1T, A12, N1AH and N12 TYPES sales parts information

NOTE: This Parts Catalogue News explains only the parts of the different model that are produced to conform to addition of the GXV160UH2-A1AS, A1T, A12, N1AH and N12 types.

As for the parts not listed on this Parts Catalogue News, use the parts of the GXV160UH2-A1S, N1 and N1F types.

- Models, parts catalogue codes and applicable serial numbers

Model	Type		Parts catalogue type	Applicable engine serial No.	Applicable carburetor identification No.
GXV160UH2	A1S	Base type	A1S	GJABH-1000001~	BE66J A
	A1AS	Additional type	A1AS		BE66N A
	A1T		A1T		
	A12		A12		
	N1F	Base type	N1F		BE66J A
	N1AH	Additional type	N1AH		BE66N A
	N1	Base type	N1		BE66J A
	N12	Additional type	N12		BE66N A

PARTS CATALOGUE NEWS

BOOKNo. : 13Z4P601

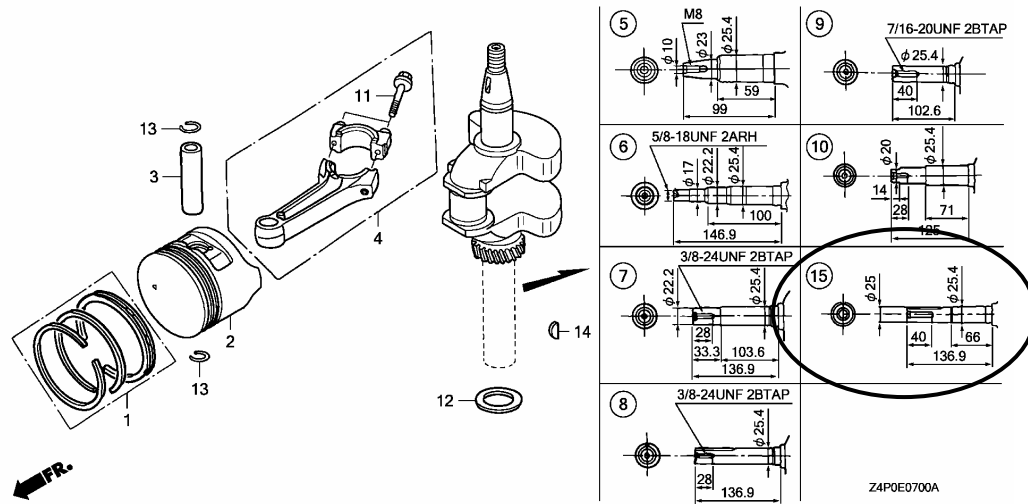
• Features of each type		Base type	Additional type	Base type	Additional type	Base type	Additional type	Base type	Additional type	Base type	Additional type
Specifications	Model	GXV160UH2									
	Type	A1S	A1AS	A1S	A1T	A1S	A12	N1F	N1AH	N1	N12
Crankshaft	22.2mmØ Straight	●	●	●		●	●	●	●	●	●
	25.4mmØ Straight (Flat key-way)										
	25.4mmØ Straight										
	20mmØ Steped thread										
	5/8" Stepped thread										
	M8 Tapered										
	25mm Ø Straight				●						
Flywheel brake		●	●	●	●	●	●				

BOOKNo. : 13Z4P601

Block No.	Ref. No.	Part No.	Description	Reqd. QTY		Base Part No.	Parts catalogue code
				GXV 160 UH2			
E-2	3	12200-ZE7-405	HEAD COMP., CYLINDER .....	1		12210-Z1V-000	
	8	90014-952-000	BOLT, FLANGE, 6X14 (CT200) ....	3		90013-883-000	

E-7 CRANKSHAFT/PISTON

Ref. No.	(Relative ref. Number) Description	FRT
5	(6, 7, 8, 9, 10, 15) 1101FO CRANKSHAFT .....	1.1



E-7	1	13010-Z4K-004	RING SET, PISTON (STD.) (TEIKOKU)	1		13010-ZL0-003	
		13010-Z4P-003	RING SET, PISTON (STD.) (RIKEN)	1		13010-ZL0-004	
		13011-Z4K-004	RING SET, PISTON (0.25) (TEIKOKU)	(1)		13011-ZL0-003	
		13011-Z4P-003	RING SET, PISTON (0.25) (RIKEN)	(1)		13011-ZL0-004	
		13012-Z4K-004	RING SET, PISTON (0.50) (TEIKOKU)	(1)		13012-ZL0-003	
		13012-Z4P-003	RING SET, PISTON (0.50) (RIKEN)	(1)		13012-ZL0-004	
		13013-Z4K-004	RING SET, PISTON (0.75) (TEIKOKU)	(1)		13013-ZL0-003	
		13013-Z4P-003	RING SET, PISTON (0.75) (RIKEN)	(1)		13013-ZL0-004	



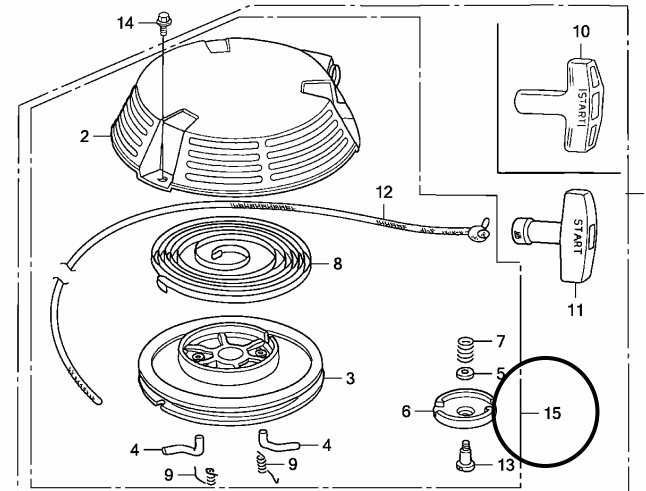
PARTS CATALOGUE NEWS

BOOKNo. : 13Z4P601

Block No.	Ref. No.	Part No.	Description	Reqd. QTY		Base Part No.	Parts catalogue code
				GXV 160 UH2			
	2	13101-Z1T-010	PISTON (STD.) (JIALING-HONDA)	1		13101-Z1T-000	
		13102-ZH8-020	PISTON (0.25)	(1)		13102-ZE7-020	
		13103-ZH8-020	PISTON (0.50)	(1)		13103-ZE7-020	
		13104-ZH8-020	PISTON (0.75)	(1)		13104-ZE7-020	
	7		CRANKSHAFT COMP.	0		13310-ZE7-010	A1T
	15	13310-ZE7-V10	CRANKSHAFT COMP.	1			A1T

E-11 RECOIL STARTER

Ref. No.	(Relative ref. Number)	Description	FRT
1	(15)	1121B9 STARTER, RECOIL	0.1



Z4POE1100A

E-11	1	STARTER ASSY., RECOIL (LONG ROPE)		28400-Z1V-801ZA		
		*NH1*..... BLACK	0		A1T	
		*R280*..... POWER RED	0	28400-Z1V-801ZB	A1T	
		28400-Z1V-801ZB	1	28400-Z1V-003ZB	N12	
	10	28461-ZE1-003	1		N12	
	11	GRIP, STARTER	0	28461-ZH8-003	N12	

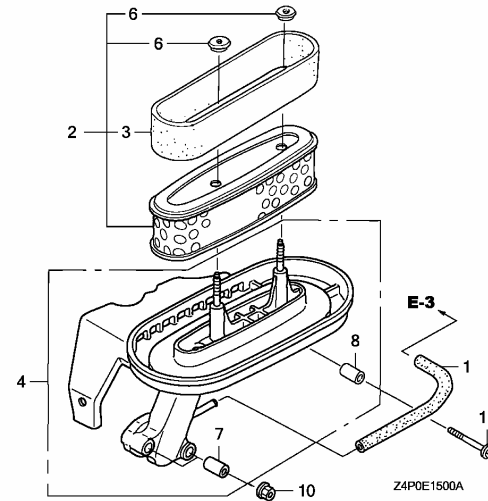
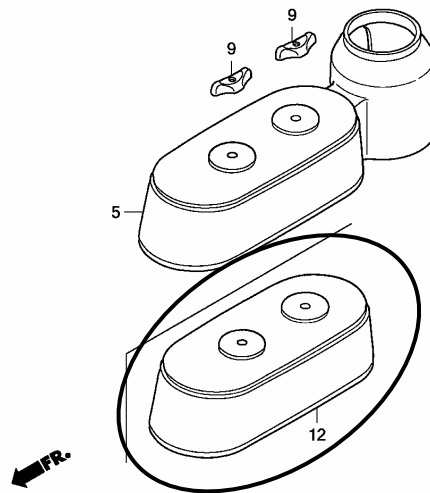
PARTS CATALOGUE NEWS

BOOKNo. : 13Z4P601

Block No.	Ref. No.	Part No.	Description	Reqd. QTY	Base Part No.	Parts catalogue code
				GXV 160 UH2		
	12	28462-Z1V-801	ROPE, RECOIL STARTER (LONG) (2360MM)	1	28462-ZH8-003	N12
	15	28400-Z1V-J52ZA	STARTER ASSY., RECOIL (LONG ROPE)			
			*R280*.....POWER RED	1	A1T	
		28400-Z1V-J52ZB	*NH1*.....BLACK	1	A1T	
E-12	2	30500-Z1V-013	COIL ASSY., IGNITION .....	1	30500-Z1V-003	
E-14	9	16100-Z1V-801	CARBURETOR ASSY. (BE66N A) ...	1	16100-Z1V-003	

E-15 AIR CLEANER

Ref. No.	(Relative ref. Number)	Description	FRT
5	(12)	COVER, AIR CLEANER .....	0.1



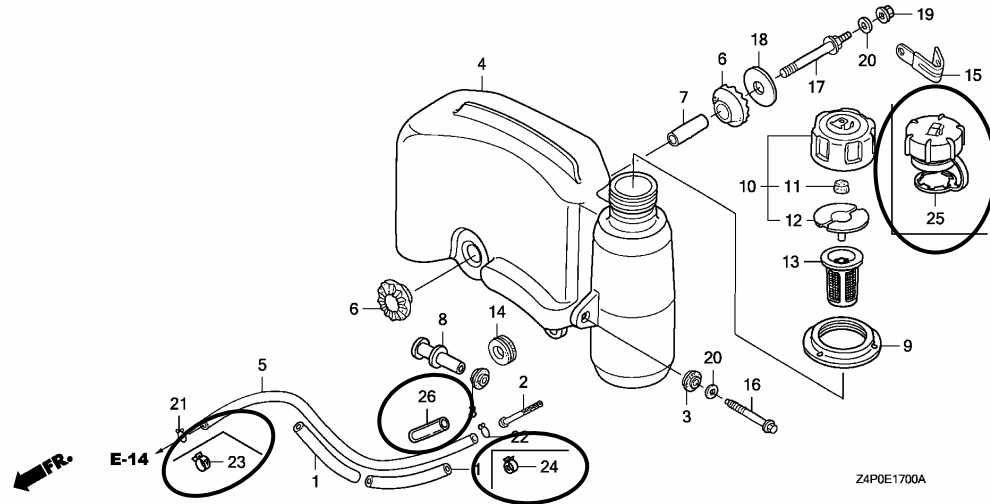
E-15	5	COVER, AIR CLEANER .....	0	17231-Z1V-000
	12	17231-Z1V-G00	COVER, AIR CLEANER .....	1

PARTS CATALOGUE NEWS

BOOKNo. : 13Z4P601

Block No.	Ref. No.	Part No.	Description	Reqd. QTY GXV 160 UH2	Base Part No.	Parts catalogue code
-----------	----------	----------	-------------	--------------------------------	---------------	----------------------

E-17 FUEL TANK



E-17	1	16854-ZH8-000	RUBBER, SUPPORTER (107MM) . . . .	1	16854-ZH8-000
	4	17510-Z4P-000	TANK COMP., FUEL . . . . .	1	17510-Z1V-010
	5	17512-Z4P-013	TUBE, FUEL (FKM) . . . . .	1	17512-ZE7-000
	9		RUBBER, TANK MOUNTING . . . . .	0	17532-Z1V-000
	10		CAP ASSY., FUEL TANK . . . . .	0	17620-Z1V-000
	11		SPONGE, FUEL CAP BREATHER . . . .	0	17622-888-010
	12		PACKING, FUEL CAP . . . . .	0	17624-ZE7-000
	21		CLIP, TUBE (B8) . . . . .	0	95002-02080
	22		CLIP, TUBE (C11) . . . . .	0	95002-70000
	23	95002-40800-08	CLAMP, TUBE (D8) . . . . .	1	
	24	95002-41050-08	CLAMP, TUBE (D10.5) . . . . .	1	
	25	17620-Z0J-800	CAP ASSY., FUEL TANK . . . . .	1	

## PARTS CATALOGUE NEWS

BOOKNo. : 13Z4P601

Block No.	Ref. No.	Part No.	Description	Reqd. QTY	Base Part No.	Parts catalogue code
				GXV 160 UH2		
	26	95003-25003-20	TUBE, VINYL, 9X11X30 (95003-25001-10M)	1		
E-22	2	16551-ZE7-000	ARM, GOVERNOR .....	1	A1AS, A1T, A12, N1AH	
	3	16555-ZE7-000	ROD, GOVERNOR .....	1	A1AS, A1T, A12, N1AH	
	4	16561-ZE7-020	SPRING, GOVERNOR .....	1	A1AS, A1T, A12, N1AH	
	5	16562-ZE6-000	SPRING, THROTTLE RETURN .....	1	A1AS, A1T, A12, N1AH	
	7	16570-ZE7-020	CONTROL ASSY. ....	1	A1AS, A1T, A12, N1AH	
	8	16573-ZE7-000	ROD, CHOKE .....	1	A1AS, A1T, A12, N1AH	
	9	16576-ZE7-300	SPRING, LEVER .....	1	A1AS, A1T, A12, N1AH	
	10	16576-891-000	HOLDER, CABLE .....	1	A1AS, A1T, A12, N1AH	
	11	16584-883-300	SPRING, CONTROL ADJUSTING ....	2	A1AS, A1T, A12, N1AH	
	12	16585-ZE7-000	PROTECTOR, CONTROL .....	1	A1AS, A1T, A12, N1AH	
	14	36100-ZE7-013	SWITCH ASSY., ENGINE STOP ....	1	N1AH	
	15	36101-ZE7-020	CORD, STOP SWITCH .....	1	N1AH	
	16	36103-ZE1-000	HOLDER, STOP SWITCH CORD (NIFCO)	1	N1AH	
	17	46392-SC2-003	CLAMP, BRAKE PIPE (GRAY) .....	1	N1AH	
	18	90013-883-000	BOLT, FLANGE, 6X12 (CT200) ....	2	A1AS, A1T, A12, N1AH	
	19	90015-ZE5-010	BOLT, GOVERNOR ARM .....	1	A1AS, A1T, A12, N1AH	
	21	90659-680-013	CLIP, WIRE HARNESS .....	1	A1AS, A1T, A12, N1AH	
	22	93500-04008-0A	SCREW, PAN, 4X8 .....	1	N1AH	
	23	93500-05016-0A	SCREW, PAN, 5X16 .....	1	A1AS, A1T, A12, N1AH	
	24	93500-05020-0A	SCREW, PAN, 5X20 .....	1	A1AS, A1T, A12, N1AH	
	25	93500-05028-0A	SCREW, PAN, 5X28 .....	1	A1AS, A1T, A12, N1AH	
	26	94050-06000	NUT, FLANGE, 6MM .....	1	A1AS, A1T, A12, N1AH	

## PARTS CATALOGUE NEWS

BOOKNo. : 13Z4P601

Block No.	Ref. No.	Part No.	Description	Reqd. QTY	Base Part No.	Parts catalogue code
				GXV 160 UH2		
	27	95701-06010-00	BOLT, FLANGE, 6X10 .....	2		A1AS, A1T, A12, N1AH
E-22-1	1		CONTROL ASSY. (EN) (STD.) .....	0	16500-ZE7-W11	N1AH
	2		ARM, GOVERNOR .....	0	16551-ZE7-000	A1AS, A1T, A12, N1AH
	3		ROD, GOVERNOR .....	0	16555-ZE7-000	A1AS, A1T, A12, N1AH
	4		SPRING, GOVERNOR .....	0	16561-ZE7-020	A1AS, A1T, A12, N1AH
	5		SPRING, THROTTLE RETURN .....	0	16562-ZE6-000	A1AS, A1T, A12, N1AH
	6		CONTROL COMP. (STD.) .....	0	16570-ZE7-W00	N1AH
			CONTROL COMP. (EN) (BRILL) .....	0	16570-ZE7-W20	A1AS, A1T, A12
	7		ROD, CHOKE .....	0	16573-ZE7-000	A1AS, A1T, A12, N1AH
	8		SPRING, LEVER .....	0	16576-ZE7-300	A1AS, A1T, A12, N1AH
	9		HOLDER, CABLE .....	0	16576-891-000	A1AS, A1T, A12, N1AH
	10		SPRING, CONTROL ADJUSTING .....	0	16584-883-300	A1AS, A1T, A12, N1AH
	11		PROTECTOR, CONTROL .....	0	16585-ZE7-000	A1AS, A1T, A12, N1AH
	12		COLLAR, STOPPER .....	0	16599-ZG1-M10	A1AS, A1T, A12, N1AH
	13		SWITCH ASSY., ENGINE STOP .....	0	36100-ZE7-013	N1AH
	14		CORD, STOP SWITCH .....	0	36101-ZE7-020	N1AH
	15		HOLDER, STOP SWITCH CORD (NIFCO)	0	36103-ZE1-000	N1AH
	16		CLAMP, BRAKE PIPE (GRAY) .....	0	46392-SC2-003	N1AH
	17		BOLT, FLANGE, 6X12 (CT200) .....	0	90013-883-000	A1AS, A1T, A12, N1AH
	18		BOLT, GOVERNOR ARM .....	0	90015-ZE5-010	A1AS, A1T, A12, N1AH
	19		SCREW, RECESSED, 5X28 .....	0	90016-ZE7-W00	A1AS, A1T, A12, N1AH
	20		CLIP, WIRE HARNESS .....	0	90659-680-013	A1AS, A1T, A12, N1AH
	21		SCREW, PAN, 4X8 .....	0	93500-04008-0A	N1AH
	22		SCREW, PAN, 5X16 .....	0	93500-05016-0A	A1AS, A1T, A12, N1AH

## PARTS CATALOGUE NEWS

BOOKNo. : 13Z4P601

Block No.	Ref. No.	Part No.	Description	Reqd. QTY	Base Part No.	Parts catalogue code
				GXV 160 UH2		
	23		SCREW, PAN, 5X20 .....	0	93500-05020-0A	A1AS, A1T, A12, N1AH
	24		NUT, FLANGE, 6MM .....	0	94050-06000	A1AS, A1T, A12, N1AH
	25		BOLT, FLANGE, 6X10 .....	0	95701-06010-00	A1AS, A1T, A12, N1AH
E-28	6	99004-21003	WRENCH, BOX (P21) .....	1		A1AS, A1T, A12, N1AH



# PARTS CATALOGUE NEWS

Honda Motor Co., Ltd. Service Division

## PARTS CATALOGUE - CORRECTED

Printed in Japan

CODE NO.	BOOKLET TYPE	13Z4P601
	MICRO-FICHE	13Z4P6EA/FA
PARTS CATALOGUE NEWS	GXV160UH2	
NEWS NO.	005	

Block No.	Ref. No.	Note	Part No.	Description	Reqd. QTY	Serial No.	Parts catalogue code
					GXV 160 UH2		
E-2	3	E	12210-Z1V-000	*PARTS NO. DELETION			
		T	12200-ZE7-405	HEAD COMP., CYLINDER .....	1		

NOTE A:PART NO. CHANGE D:NEWLY PROVIDED E:PART NO. DELETION K:REQUIRED NO. CORRECTION L:APPLICATION SERIAL NO. CORRECTION  
T:APPLICATION CORRECTION Z:REMARKS CHANGE



# PARTS CATALOGUE NEWS

Honda Motor Co., Ltd. Service Division

## PARTS CATALOGUE - CORRECTED

Printed in Japan

CODE NO.	BOOKLET TYPE	13Z4P601
	MICRO-FICHE	13Z4P6EA/FA
PARTS CATALOGUE NEWS	GXV160UH2	
NEWS NO.	006	

Block No.	Ref. No.	Note	Part No.	Description	Reqd. QTY		Serial No.	Parts catalogue code
						GXV 160 UH2		
E-3	4	E	12000-Z1V-000	*PARTS NO. DELETION				
		E	12000-Z2J-000	*PARTS NO. DELETION				
		D	12000-Z1V-405	BARREL ASSY., CYLINDER .....	1	-----	-----	A1AS, A1S, A1SA, A1T, A12, A14
		D	12000-Z2J-405	.....	1	-----	-----	N1, N1AH, N1F, N12, N15, N4, N45, N5M, N55, SFL, SFL1, SFY, SFY1, T1AH

NOTE A:PART NO. CHANGE D:NEWLY PROVIDED E:PART NO.DELETION K:REQUIRED NO. CORRECTION L:APPLICATION SERIAL NO. CORRECTION  
T:APPLICATION CORRECTION Z:REMARKS CHANGE





# PARTS CATALOGUE NEWS

Honda Motor Co., Ltd. Service Division

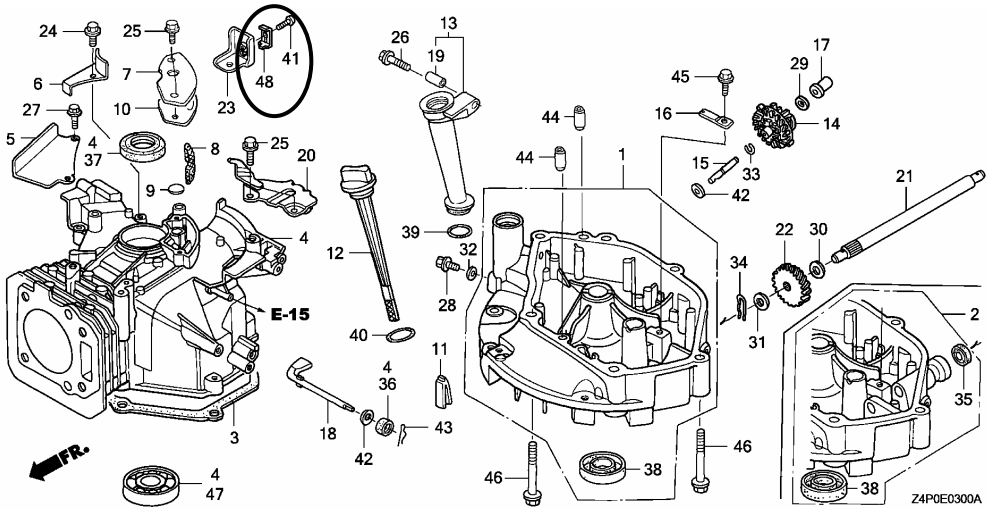
## PARTS CATALOGUE - CORRECTED

Printed in Japan

CODE NO.	BOOKLET TYPE	13Z4P601
	MICRO-FICHE	13Z4P6EA/FA
PARTS CATALOGUE NEWS	GXV160UH2	
NEWS NO.	007	

Block No.	Ref. No.	Note	Part No.	Description	Reqd. QTY	Serial No.	Parts catalogue code
					GXV 160 UH2		

E-3 CYLINDER BARREL



E-3	48	D	16576-891-000	HOLDER, CABLE .....	1	-----	A1AS, A1S, A1SA, A1T, A12, A14
-----	----	---	---------------	---------------------	---	-------	--------------------------------

NOTE A:PART NO. CHANGE D:NEWLY PROVIDED E:PART NO. DELETION K:REQUIRED NO. CORRECTION L:APPLICATION SERIAL NO. CORRECTION  
T:APPLICATION CORRECTION Z:REMARKS CHANGE



# PARTS CATALOGUE NEWS

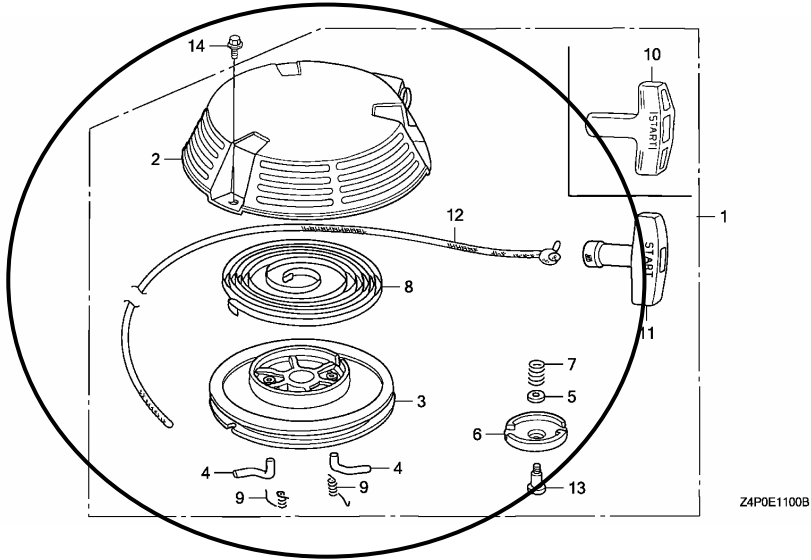
Honda Motor Co., Ltd. Service Division

## PARTS CATALOGUE - CORRECTED

Printed in Japan

CODE NO.	BOOKLET TYPE	13Z4P601
	MICRO-FICHE	13Z4P6EA/FA
PARTS CATALOGUE NEWS	GXV160UH2	
NEWS NO.	008	

Block No.	Ref. No.	Note	Part No.	Description	Reqd. QTY	Serial No.	Parts catalogue code
E-11				RECOIL STARTER	GXV 160 UH2		



NOTE A:PART NO. CHANGE D:NEWLY PROVIDED E:PART NO.DELETION K:REQUIRED NO. CORRECTION L:APPLICATION SERIAL NO. CORRECTION  
T:APPLICATION CORRECTION Z:REMARKS CHANGE

PARTS CATALOGUE NEWS

BOOKNo. : 13Z4P601

Block No.	Ref. No.	Note	Part No.	Description	Reqd. QTY	Serial No.	Parts catalogue code	
					GXV 160 UH2			
E-11	1	D	28400-Z4P-801ZA	STARTER ASSY., RECOIL				
				(LONG ROPE)				
				*NH1* . . . . . BLACK	1	-----	A1T	
		D	28400-Z4P-801ZB	*R280* . . . . . POWER RED	1	-----	A1T	
		12	T	28462-Z1V-801	ROPE, RECOIL STARTER (LONG)			
					(2360MM)	1	-----	A1AS, A1S, A1SA, A12, A14, N1AH, N1F, N12, N15, N45, N5M, N55
		D	28462-Z4P-801	ROPE, RECOIL STARTER . . . . .	1	-----	A1T	
	15	E	28400-Z1V-J52ZA	*PARTS NO. DELETION				
		E	28400-Z1V-J52ZB	*PARTS NO. DELETION				

NOTE A:PART NO. CHANGE D:NEWLY PROVIDED E:PART NO.DELETION K:REQUIRED NO. CORRECTION L:APPLICATION SERIAL NO. CORRECTION  
T:APPLICATION CORRECTION Z:REMARKS CHANGE



# PARTS CATALOGUE NEWS

Honda Motor Co., Ltd. Service Division

## PARTS CATALOGUE - CORRECTED

Printed in Japan

CODE NO.	BOOKLET TYPE	13Z4P601
	MICRO-FICHE	13Z4P6EA/FA
PARTS CATALOGUE NEWS	GXV160UH2	
NEWS NO.	009	

Block No.	Ref. No.	Note	Part No.	Description	Reqd. QTY		Serial No.	Parts catalogue code
						GXV 160 UH2		
E-14	8	E	16044-ZE0-005	*PARTS NO. DELETION				
		D	16045-Z1V-G01	CHOKE SET .....	1		-----	A1AS, A1T, A12, N1AH, N12
				(CARBURETOR NO.)	1		BE66N A -----	A1S, A1SA, A14, N1, N1F, N15, N4, N45, N5M, N55, SFL, SFL1, SFY, SFY1 T1AH

NOTE A:PART NO. CHANGE D:NEWLY PROVIDED E:PART NO.DELETION K:REQUIRED NO. CORRECTION L:APPLICATION SERIAL NO. CORRECTION  
T:APPLICATION CORRECTION Z:REMARKS CHANGE



# PARTS CATALOGUE NEWS

Honda Motor Co., Ltd. Service Division

## PARTS CATALOGUE - CORRECTED

Printed in Japan

CODE NO.	BOOKLET TYPE	13Z4P601
	MICRO-FICHE	13Z4P6EA/FA
PARTS CATALOGUE NEWS	GXV160UH2	
NEWS NO.	010	

Block No.	Ref. No.	Note	Part No.	Description	Reqd. QTY		Serial No.	Parts catalogue code
						GXV 160 UH2		
E-3	21		23411-ZE7-000	SHAFT, DRIVE .....	1	-----	1026784	SFL, SFL1, SFY1
		A	23411-ZE7-010	.....	1	-----	1026785	SFL, SFL1, SFY1
E-7	1	L	13010-ZL0-003	RING SET, PISTON (STD.) (TEIKOKU)	1	-----	1036455	A1S, A1SA, A14, N1, N1F, N15, N4, N45, N5M, N55, SFL, SFL1, SFY, SFY1 T1AH
		L	13010-ZL0-004	RING SET, PISTON (STD.) (NIPPON)	1	-----	1036455	A1S, A1SA, A14, N1, N1F, N15, N4, N45, N5M, N55, SFL, SFL1, SFY, SFY1 T1AH
		L	13011-ZL0-003	RING SET, PISTON (0.25) (TEIKOKU)	(1)	-----	1036455	A1S, A1SA, A14, N1, N1F, N15, N4, N45, N5M, N55, SFL, SFL1, SFY, SFY1 T1AH
		L	13011-ZL0-004	RING SET, PISTON (0.25) (NIPPON)	(1)	-----	1036455	A1S, A1SA, A14, N1, N1F, N15, N4, N45, N5M, N55, SFL, SFL1, SFY, SFY1 T1AH
		L	13012-ZL0-003	RING SET, PISTON (0.50) (TEIKOKU)	(1)	-----	1036455	A1S, A1SA, A14, N1, N1F, N15, N4, N45, N5M, N55, SFL, SFL1, SFY, SFY1 T1AH

NOTE A:PART NO. CHANGE D:NEWLY PROVIDED E:PART NO. DELETION K:REQUIRED NO. CORRECTION L:APPLICATION SERIAL NO. CORRECTION  
T:APPLICATION CORRECTION Z:REMARKS CHANGE

## PARTS CATALOGUE NEWS

BOOKNo. : 13Z4P601

Block No.	Ref. No.	Note	Part No.	Description	Reqd. QTY		Serial No.	Parts catalogue code
					GXY 160 UH2			
		L	13012-ZL0-004	RING SET, PISTON (0.50) (NIPPON)	(1)	-----	1036455	A1S, A1SA, A14, N1, N1F, N15, N4, N45, N5M, N55, SFL, SFL1, SFY, SFY1 T1AH
		L	13013-ZL0-003	RING SET, PISTON (0.75) (TEIKOKU)	(1)	-----	1036455	A1S, A1SA, A14, N1, N1F, N15, N4, N45, N5M, N55, SFL, SFL1, SFY, SFY1 T1AH
		L	13013-ZL0-004	RING SET, PISTON (0.75) (NIPPON)	(1)	-----	1036455	A1S, A1SA, A14, N1, N1F, N15, N4, N45, N5M, N55, SFL, SFL1, SFY, SFY1 T1AH
		T	13010-Z4K-004	RING SET, PISTON (STD.) (TEIKOKU)	1	-----	-----	A1AS, A1T, A12, N1AH, N12
					1	1036456	-----	A1S, A1SA, A14, N1, N1F, N15, N4, N45, N5M, N55, SFL, SFL1, SFY, SFY1 T1AH
		T	13010-Z4P-003	RING SET, PISTON (STD.) (RIKEN)	1	-----	-----	A1AS, A1T, A12, N1AH, N12
					1	1036456	-----	A1S, A1SA, A14, N1, N1F, N15, N4, N45, N5M, N55, SFL, SFL1, SFY, SFY1 T1AH
		T	13011-Z4K-004	RING SET, PISTON (0.25) (TEIKOKU)	(1)	-----	-----	A1AS, A1T, A12, N1AH, N12
					(1)	1036456	-----	A1S, A1SA, A14, N1, N1F, N15, N4, N45, N5M, N55, SFL, SFL1, SFY, SFY1 T1AH
		T	13011-Z4P-003	RING SET, PISTON (0.25) (RIKEN)	(1)	-----	-----	A1AS, A1T, A12, N1AH, N12
					(1)	1036456	-----	A1S, A1SA, A14, N1, N1F, N15, N4, N45, N5M, N55, SFL, SFL1, SFY, SFY1 T1AH
		T	13012-Z4K-004	RING SET, PISTON (0.50) (TEIKOKU)	(1)	-----	-----	A1AS, A1T, A12, N1AH, N12
					(1)	1036456	-----	A1S, A1SA, A14, N1, N1F, N15, N4, N45, N5M, N55, SFL, SFL1, SFY, SFY1 T1AH
		T	13012-Z4P-003	RING SET, PISTON (0.50) (RIKEN)	(1)	-----	-----	A1AS, A1T, A12, N1AH, N12
					(1)	1036456	-----	A1S, A1SA, A14, N1, N1F, N15, N4, N45, N5M, N55, SFL, SFL1, SFY, SFY1 T1AH
		T	13013-Z4K-004	RING SET, PISTON (0.75) (TEIKOKU)	(1)	-----	-----	A1AS, A1T, A12, N1AH, N12

NOTE A:PART NO. CHANGE D:NEWLY PROVIDED E:PART NO.DELETION K:REQUIRED NO. CORRECTION L:APPLICATION SERIAL NO. CORRECTION  
T:APPLICATION CORRECTION Z:REMARKS CHANGE

PARTS CATALOGUE NEWS

BOOKNo. : 13Z4P601

Block No.	Ref. No.	Note	Part No.	Description	Reqd. QTY		Serial No.	Parts catalogue code
					GXY 160 UH2			
					(1)		1036456	----- A1S, A1SA, A14, N1, N1F, N15, N4, N45, N5M, N55, SFL, SFL1, SFY, SFY1 T1AH
		T	13013-Z4P-003	RING SET, PISTON (0.75) (RIKEN)	(1)		-----	----- A1AS, A1T, A12, N1AH, N12
					(1)		1036456	----- A1S, A1SA, A14, N1, N1F, N15, N4, N45, N5M, N55, SFL, SFL1, SFY, SFY1 T1AH
	2	L	13101-Z1T-000	PISTON (STD.) (JIALING-HONDA)	1		-----	1036455 A1S, A1SA, A14, N1, N1F, N15, N4, N45, N5M, N55, SFL, SFL1, SFY, SFY1 T1AH
		L	13102-ZE7-020	PISTON (0.25)	(1)		-----	1036455 A1S, A1SA, A14, N1, N1F, N15, N4, N45, N5M, N55, SFL, SFL1, SFY, SFY1 T1AH
		L	13103-ZE7-020	PISTON (0.50)	(1)		-----	1036455 A1S, A1SA, A14, N1, N1F, N15, N4, N45, N5M, N55, SFL, SFL1, SFY, SFY1 T1AH
		L	13104-ZE7-020	PISTON (0.75)	(1)		-----	1036455 A1S, A1SA, A14, N1, N1F, N15, N4, N45, N5M, N55, SFL, SFL1, SFY, SFY1 T1AH
		T	13101-Z1T-010	PISTON (STD.) (JIALING-HONDA)	1		-----	----- A1AS, A1T, A12, N1AH, N12
					1		1036456	----- A1S, A1SA, A14, N1, N1F, N15, N4, N45, N5M, N55, SFL, SFL1, SFY, SFY1 T1AH
		T	13102-ZH8-020	PISTON (0.25)	(1)		-----	----- A1AS, A1T, A12, N1AH, N12
					(1)		1036456	----- A1S, A1SA, A14, N1, N1F, N15, N4, N45, N5M, N55, SFL, SFL1, SFY, SFY1 T1AH
		T	13103-ZH8-020	PISTON (0.50)	(1)		-----	----- A1AS, A1T, A12, N1AH, N12
					(1)		1036456	----- A1S, A1SA, A14, N1, N1F, N15, N4, N45, N5M, N55, SFL, SFL1, SFY, SFY1 T1AH
		T	13104-ZH8-020	PISTON (0.75)	(1)		-----	----- A1AS, A1T, A12, N1AH, N12
					(1)		1036456	----- A1S, A1SA, A14, N1, N1F, N15, N4, N45, N5M, N55, SFL, SFL1, SFY, SFY1 T1AH
E-15	5	L	17231-Z1V-000	COVER, AIR CLEANER	1		-----	1036455 A1S, A1SA, A14, N1, N1F, N15, N4, N45, N5M, N55, SFL, SFL1, SFY, SFY1 T1AH
	12		17231-Z1V-G00	COVER, AIR CLEANER	1		-----	1036455 A1AS, A1T, A12, N1AH, N12
		A	17231-Z1V-G01		1		1036456	

NOTE A:PART NO. CHANGE D:NEWLY PROVIDED E:PART NO. DELETION K:REQUIRED NO. CORRECTION L:APPLICATION SERIAL NO. CORRECTION  
T:APPLICATION CORRECTION Z:REMARKS CHANGE

## PARTS CATALOGUE NEWS

BOOKNo. : 13Z4P601

Block No.	Ref. No.	Note	Part No.	Description	Reqd. QTY	Serial No.	Parts catalogue code	
					GXY 160 UH2			
E-17	4	L	17510-Z1V-010	TANK COMP., FUEL .....	1	----- 1036455	A1S, A1SA, A14, N1, N1F, N15, N4, N45, N5M, N55, SFL, SFL1, SFY, SFY1 T1AH	
			T	17510-Z4P-000	.....	1	-----	A1AS, A1T, A12, N1AH, N12
					1	1036456	-----	A1S, A1SA, A14, N1, N1F, N15, N4, N45, N5M, N55, SFL, SFL1, SFY, SFY1 T1AH
	5		17512-ZE7-000	TUBE, FUEL .....	1	----- 1011283	A1S, A1SA, A14, N1, N1F, N15, N4, N45, N5M, N55, SFL, SFL1, SFY, SFY1 T1AH	
			A	17512-Z4P-003	TUBE, FUEL (FKM) .....	1	1011284	-----
	9	L	17532-Z1V-000	RUBBER, TANK MOUNTING .....	1	----- 1036455	A1S, A1SA, A14, N1, N1F, N15, N4, N45, N5M, N55, SFL, SFL1, SFY, SFY1 T1AH	
	10	L	17620-Z1V-000	CAP ASSY., FUEL TANK .....	1	----- 1036455	A1S, A1SA, A14, N1, N1F, N15, N4, N45, N5M, N55, SFL, SFL1, SFY, SFY1 T1AH	
	11	L	17622-888-010	SPONGE, FUEL CAP BREATHER ....	1	----- 1036455	A1S, A1SA, A14, N1, N1F, N15, N4, N45, N5M, N55, SFL, SFL1, SFY, SFY1 T1AH	
	12	L	17624-ZE7-000	PACKING, FUEL CAP .....	1	----- 1036455	A1S, A1SA, A14, N1, N1F, N15, N4, N45, N5M, N55, SFL, SFL1, SFY, SFY1 T1AH	
	21	L	95002-02080	CLIP, TUBE (B8) .....	1	----- 1011283	A1S, A1SA, A14, N1, N1F, N15, N4, N45, N5M, N55, SFL, SFL1, SFY, SFY1 T1AH	
	22	L	95002-70000	CLIP, TUBE (C11) .....	1	----- 1011283	A1S, A1SA, A14, N1, N1F, N15, N4, N45, N5M, N55, SFL, SFL1, SFY, SFY1 T1AH	
	23	T	95002-40800-08	CLAMP, TUBE (D8) .....	1	-----	A1AS, A1T, A12, N1AH, N12	
						1	1011284	-----
	24	T	95002-41050-08	CLAMP, TUBE (D10.5) .....	1	-----	A1AS, A1T, A12, N1AH, N12	
						1	1011284	-----
	25	T	17620-Z0J-800	CAP ASSY., FUEL TANK .....	1	-----	A1AS, A1T, A12, N1AH, N12	
						1	1036456	-----
	E-19	4	T	31110-Z1V-003	FLYWHEEL COMP. ....	1	-----	N1AH, N1F, N5M, SFL, SFL1, SFY, SFY1

NOTE A:PART NO. CHANGE D:NEWLY PROVIDED E:PART NO. DELETION K:REQUIRED NO. CORRECTION L:APPLICATION SERIAL NO. CORRECTION  
T:APPLICATION CORRECTION Z:REMARKS CHANGE

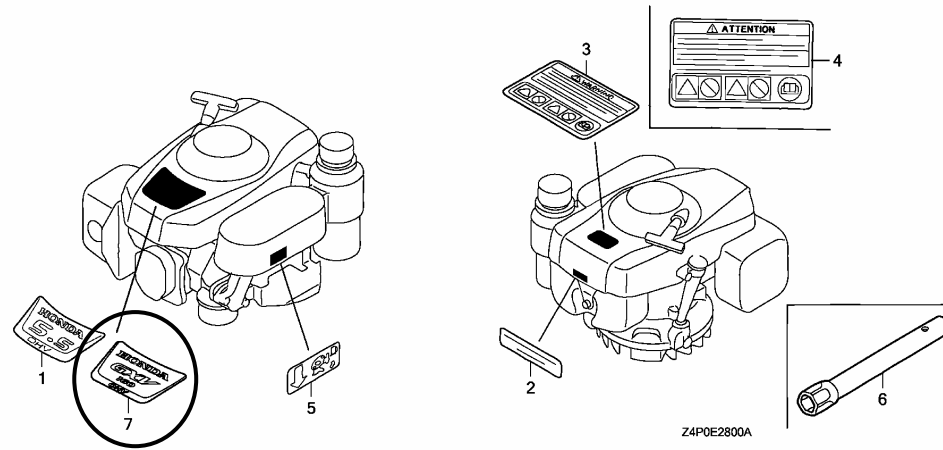


PARTS CATALOGUE NEWS

BOOKNo. : 13Z4P601

Block No.	Ref. No.	Note	Part No.	Description	Reqd. QTY		Serial No.	Parts catalogue code
					GXV 160 UH2			
					1		1036456	T1AH
	5	L	31110-Z1V-810	FLYWHEEL COMP. (BRAKE) .....	1			N1, N12, N15, N4, N45, N55
					1		1036455	T1AH

E-28 LABEL/TOOL



E-28	1	L	87101-Z1V-000	MARK, EMBLEM (GXV160 5.5) ....	1		1036455	
	7	D	87101-Z1V-010	MARK, EMBLEM (GXV160) .....	1		1036456	

NOTE A:PART NO. CHANGE D:NEWLY PROVIDED E:PART NO. DELETION K:REQUIRED NO. CORRECTION L:APPLICATION SERIAL NO. CORRECTION  
T:APPLICATION CORRECTION Z:REMARKS CHANGE



# PARTS CATALOGUE NEWS

Honda Motor Co., Ltd. Service Division

## PARTS CATALOGUE - CORRECTED

Printed in Japan

CODE NO.	BOOKLET TYPE	13Z4P601
	MICRO-FICHE	13Z4P6EA/FA
PARTS CATALOGUE NEWS	GXV160UH2	
NEWS NO.	011	

Block No.	Ref. No.	Note	Part No.	Description	Reqd. QTY	Serial No.	Parts catalogue code
					GXV 160 UH2		
E-2	8	L	90013-883-000	BOLT, FLANGE, 6X12(CT200) . . . .	3	----- 1020657	A1S, A1SA, A14, N1, N1F, N15, N4, N45, N5M, N55, SFL, SFL1, SFY, SFY1 T1AH
			90014-952-000	BOLT, FLANGE, 6X14(CT200) . . . .	3	----- -----	A1AS, A1T, A12, N1AH, N12
					3	1020658	-----
E-19	2	T	19511-Z1T-000	FAN, COOLING . . . . .	1	----- -----	N1AH, N1F, N5M, SFL, SFL1, SFY, SFY1
					1	1036456	-----
E-40	1	L	19512-883-000	COLLAR, FAN . . . . .	2	----- 1101679	SFL1, SFY1
			72600-VA4-010	HOLDER ASSY., BLADE . . . . .	1	----- 1101679	SFL1, SFY1
			72610-VA4-000	HOLDER COMP., BLADE . . . . .	1	----- 1101679	SFL1, SFY1
			72613-VA4-000	BUSH, BLADE HOLDER . . . . .	2	----- 1101679	SFL1, SFY1
			75090-VA4-030	PLATE ASSY., BALL CONTROL . . . .	1	----- 1101679	SFL1, SFY1
			75100-VA4-010	BRAKE COMP. . . . .	1	----- 1101679	SFL1, SFY1
			75110-VA4-000	RETAINER COMP., BALL . . . . .	1	----- 1101679	SFL1, SFY1

NOTE A:PART NO. CHANGE D:NEWLY PROVIDED E:PART NO.DELETION K:REQUIRED NO. CORRECTION L:APPLICATION SERIAL NO. CORRECTION  
 T:APPLICATION CORRECTION Z:REMARKS CHANGE

## PARTS CATALOGUE NEWS

BOOKNo. : 13Z4P601

Block No.	Ref. No.	Note	Part No.	Description	Reqd. QTY	Serial No.	Parts catalogue code
					GXY 160 UH2		
	8	L	75120-VA4-010	DISK, BRAKE .....	1	----- 1101679	SFL1, SFY1
	9	L	75130-VA4-000	DISK, DRIVE .....	1	----- 1101679	SFL1, SFY1
	10	L	75132-VA4-000	SPRING, BRAKE HOLDER .....	3	----- 1101679	SFL1, SFY1
	11	L	75133-VA4-000	BUSH, BRAKE HOLDER .....	3	----- 1101679	SFL1, SFY1
	12	L	75140-VA4-020	PLATE COMP., BALL CONTROL ....	1	----- 1101679	SFL1, SFY1
	13	L	75150-VA3-J01	DISK COMP., DRIVEN .....	1	----- 1101679	SFL1, SFY1
	14	L	75182-VA3-J00	SPRING, CLUTCH RETURN (53.0MM)	2	----- 1101679	SFL1, SFY1
	15	L	75183-VA3-J00	SPRING, CLUTCH (36.6MM) .....	1	----- 1101679	SFL1, SFY1
	16	L	90014-952-000	BOLT, FLANGE, 6X14(CT200) ....	4	----- 1101679	SFL1, SFY1
	17	L	90021-VA4-000	BOLT, SPECIAL, 6MM .....	3	----- 1101679	SFL1, SFY1
	18	L	90105-960-003	BOLT, HEX., 10X25 .....	1	----- 1101679	SFL1, SFY1
	19	L	90409-952-000	WASHER, 10MM .....	1	----- 1101679	SFL1, SFY1
	20	L	90501-952-010	WASHER, THRUST .....	1	----- 1101679	SFL1, SFY1
	21	L	91102-VA4-013	BEARING, RADIAL BALL, 6204 ...	1	----- 1101679	SFL1, SFY1
	22	L	91103-VA4-003	BEARING, RADIAL BALL, 60/22 ..	1	----- 1101679	SFL1, SFY1
	23	L	94401-16150	KEY, WOODRUFF, 16X15 .....	1	----- 1101679	SFL1, SFY1

NOTE A:PART NO. CHANGE D:NEWLY PROVIDED E:PART NO.DELETION K:REQUIRED NO. CORRECTION L:APPLICATION SERIAL NO. CORRECTION  
T:APPLICATION CORRECTION Z:REMARKS CHANGE



# PARTS CATALOGUE NEWS

Honda Motor Co., Ltd. Service Division

## PARTS CATALOGUE - CORRECTED

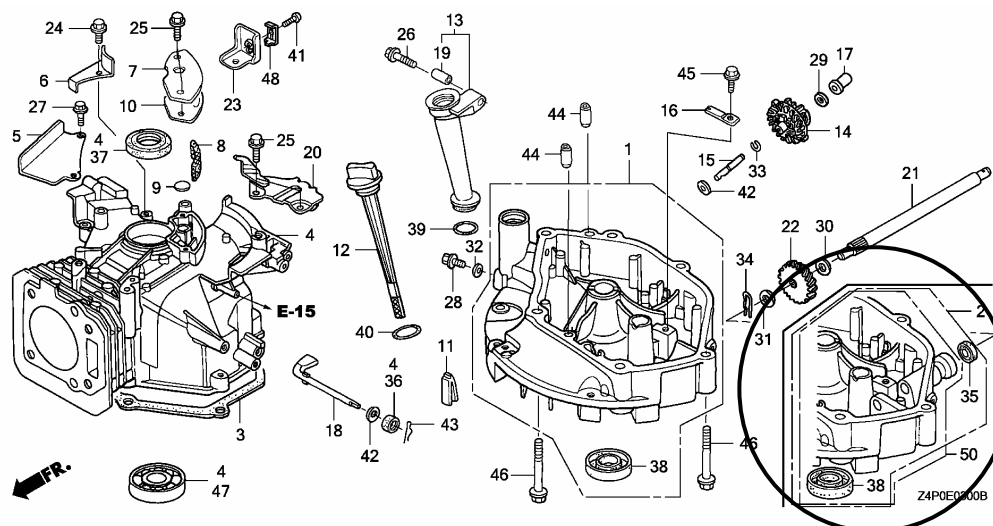
Printed in Japan

CODE NO.	BOOKLET TYPE	13Z4P601
	MICRO-FICHE	13Z4P6EA/FA
PARTS CATALOGUE NEWS	GXV160UH2	
NEWS NO.	012	

Block No.	Ref. No.	Note	Part No.	Description	Reqd. QTY	Serial No.	Parts catalogue code
					GXV 160 UH2		

### E-3 CYLINDER BARREL

Ref. No.	(Relative ref. Number)	Description	FRT
1	(2, 50)		
1131C1	PAN, OIL .....	0.3	



E-3 1 E 11300-Z1V-409 \*PARTS NO. DELETION

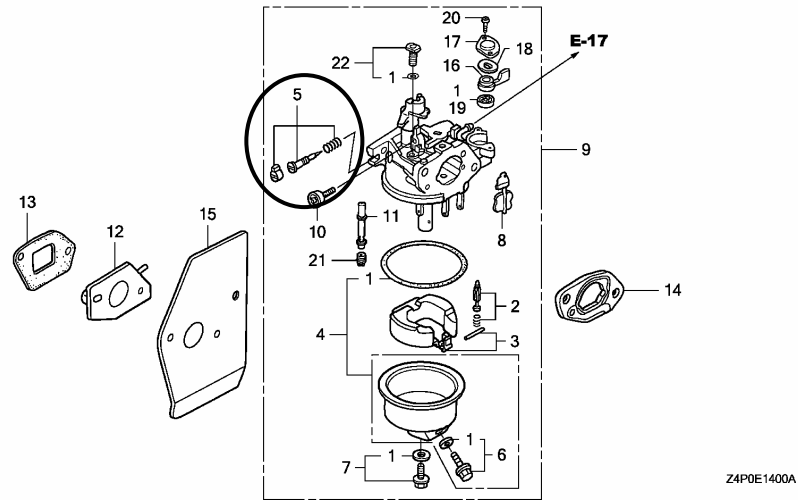
NOTE A:PART NO. CHANGE D:NEWLY PROVIDED E:PART NO.DELETION K:REQUIRED NO. CORRECTION L:APPLICATION SERIAL NO. CORRECTION  
T:APPLICATION CORRECTION Z:REMARKS CHANGE

BOOKNo. : 13Z4P601

Block No.	Ref. No.	Note	Part No.	Description	Reqd. QTY	Serial No.	Parts catalogue code
	50	D	11300-Z1V-409	PAN ASSY., OIL .....	1	-----	SFY

E-14 CARBURETOR

**ILLUSTRATION CORRECTED**



Z4POE1400A

E-14	9	L	16100-Z1V-J71	CARBURETOR ASSY. (BE66M A) ...	1	-----	1001679	N5M
		L	16100-Z1V-003	CARBURETOR ASSY. (BE66J A) ...	1	-----	1001679	A1S, A1SA, A14, N1, N1F, N15, N4, N45, N55, SFL, SFL1, SFY, SFY1, T1AH
		T	16100-Z1V-801	CARBURETOR ASSY. (BE66N A) ...	1	-----	-----	A1AS, A1T, A12, N1AH, N12
					1	1001680	-----	A1S, A1SA, A14, N1, N1F, N15, N4, N45, N5M, N55, SFL, SFL1, SFY, SFY1 T1AH

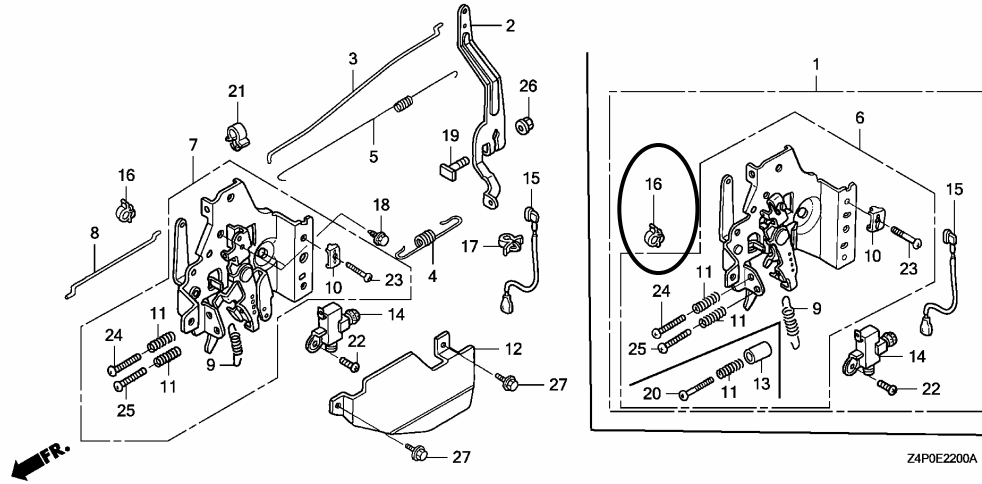
NOTE A:PART NO. CHANGE D:NEWLY PROVIDED E:PART NO.DELETION K:REQUIRED NO. CORRECTION L:APPLICATION SERIAL NO. CORRECTION  
T:APPLICATION CORRECTION Z:REMARKS CHANGE

BOOKNo. : 13Z4P601

Block No.	Ref. No.	Note	Part No.	Description	Reqd. QTY	Serial No.	Parts catalogue code
					GXV 160 UH2		

E-22 CONTROL (1)

ILLUSTRATION CORRECTED



NOTE A:PART NO. CHANGE D:NEWLY PROVIDED E:PART NO.DELETION K:REQUIRED NO. CORRECTION L:APPLICATION SERIAL NO. CORRECTION  
T:APPLICATION CORRECTION Z:REMARKS CHANGE

June 17, 2007



# PARTS CATALOGUE NEWS

Honda Motor Co., Ltd. Service Division

## PARTS CATALOGUE - CORRECTED

Printed in Japan

CODE NO.	BOOKLET TYPE	13Z4P601
	MICRO- FICHE	13Z4P6EA/FA
PARTS CATALOGUE NEWS	GXV160UH2	
NEWS NO.	013	

Block No.	Ref. No.	Note	Part No.	Description	Reqd. QTY	Serial No.	Parts catalogue code
					GXV 160 UH2		
E-28	7		87101-Z1V-010	MARK, EMBLEM (GXV160) .....	1	1036456 1046647	
		A	87101-Z1V-020	.....	1	1046648	

NOTE A:PART NO. CHANGE D:NEWLY PROVIDED E:PART NO.DELETION K:REQUIRED NO. CORRECTION L:APPLICATION SERIAL NO. CORRECTION  
T:APPLICATION CORRECTION Z:REMARKS CHANGE

July 14, 2007



---

# PARTS CATALOGUE NEWS

---

Honda Motor Co., Ltd. Service Division

## PARTS CATALOGUE - CORRECTED

Printed in Japan

CODE NO.	BOOKLET TYPE	13Z4P601
	MICRO- FICHE	13Z4P6EA/FA
PARTS CATALOGUE NEWS	GXV160UH2	
NEWS NO.	014	

### **GXV160UH2-N1F1 TYPE sales information**

NOTE: This Parts Catalogue News explains only the parts of the different model that are produced to conform to addition of the GXV160UH2-N1F1 type.

As for the parts not listed on this Parts Catalogue News, use the parts of the GXV160UH2-N1F type.



**• Models, parts catalogue codes and applicable serial numbers**

Model	Type		Parts catalogue type	Applicable engine serial No.	Applicable carburetor identification No.
GXV160UH2	N1F	Base type	N1F	GJABH-1000001~	BE66J A / BE66N A
	N1F1	Additional type	N1F1		BE66R A

**• Features of each type**

		Base type	Additional type	
Model		GXV160UH2		
Specifications		Type	N1F	N1F1
Crankshaft	22.2 mm ø Straight		●	●
	25 mm ø Straight			
	25.4 mm ø Straight (Flat key-way)			
	25.4 mm ø Straight			
	20 mm ø Stepped thread			
	5/8" Stepped thread			
	M8 Tapered			
Flywheel brake				

## PARTS CATALOGUE NEWS

BOOKNo. : 13Z4P601

Block No.	Ref. No.	Part No.	Description	Reqd. QTY	Base Part No.	Parts catalogue code
				GXV 160 UH2		
E-11	1		STARTER ASSY., RECOIL (LONG ROPE) *R280*..... POWER RED	0	28400-Z1V-801ZB	
	2		CASE COMP., RECOIL STARTER *R280*..... POWER RED	0	28410-Z1V-003ZA	
E-12	1		COVER COMP., FAN *R280*..... POWER RED	0	19610-Z1V-000ZA	
	2	30500-Z1V-013	COIL ASSY., IGNITION .....	1	30500-Z1V-003	
E-14	9	16100-Z1V-811	CARBURETOR ASSY. (BE66R A) ...	1	16100-Z1V-801	
E-17	1	16854-ZH8-000	RUBBER, SUPPORTER (107MM) ....	1	16854-ZH8-000	
	5	17512-Z4P-013	TUBE, FUEL (FKM) .....	1	17512-Z4P-003	
	26	95003-25003-20	TUBE, VINYL, 9X11X30 (95003-25001-10M)	1		

July 29, 2007



# PARTS CATALOGUE NEWS

Honda Motor Co., Ltd. Service Division

## PARTS CATALOGUE - CORRECTED

Printed in Japan

CODE NO.	BOOKLET TYPE	13Z4P601
	MICRO-FICHE	13Z4P6EA/FA
PARTS CATALOGUE NEWS	GXV160UH2	
NEWS NO.	015	

Block No.	Ref. No.	Note	Part No.	Description	Reqd. QTY	Serial No.	Parts catalogue code
					GXV 160 UH2		
E-12	2	E	30500-Z1V-003	*PARTS NO. DELETION			
		T	30500-Z1V-013	COIL ASSY., IGNITION .....	1		

NOTE A:PART NO. CHANGE D:NEWLY PROVIDED E:PART NO.DELETION K:REQUIRED NO. CORRECTION L:APPLICATION SERIAL NO. CORRECTION  
T:APPLICATION CORRECTION Z:REMARKS CHANGE



# PARTS CATALOGUE NEWS

Honda Motor Co., Ltd. Service Division

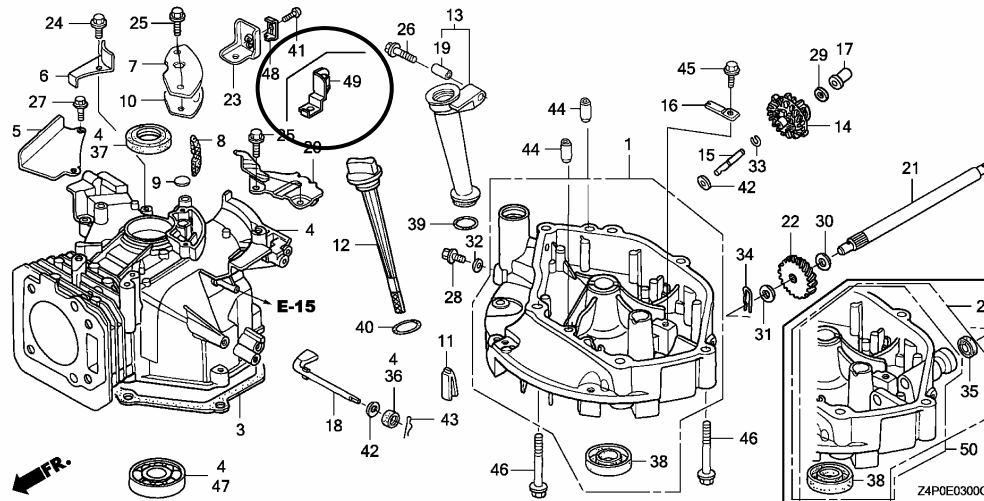
## PARTS CATALOGUE - CORRECTED

Printed in Japan

CODE NO.	BOOKLET TYPE	13Z4P601
	MICRO-FICHE	13Z4P6EA/FA
PARTS CATALOGUE NEWS	GXV160UH2	
NEWS NO.	016	

Block No.	Ref. No.	Note	Part No.	Description	Reqd. QTY	Serial No.	Parts catalogue code
					GXV 160 UH2		

### E-3 CYLINDER BARREL



E-3	23	L	43143-Z1V-000	BASE COMP., HOLDER .....	1	-----	A1S, A1SA, A14
-----	----	---	---------------	--------------------------	---	-------	----------------

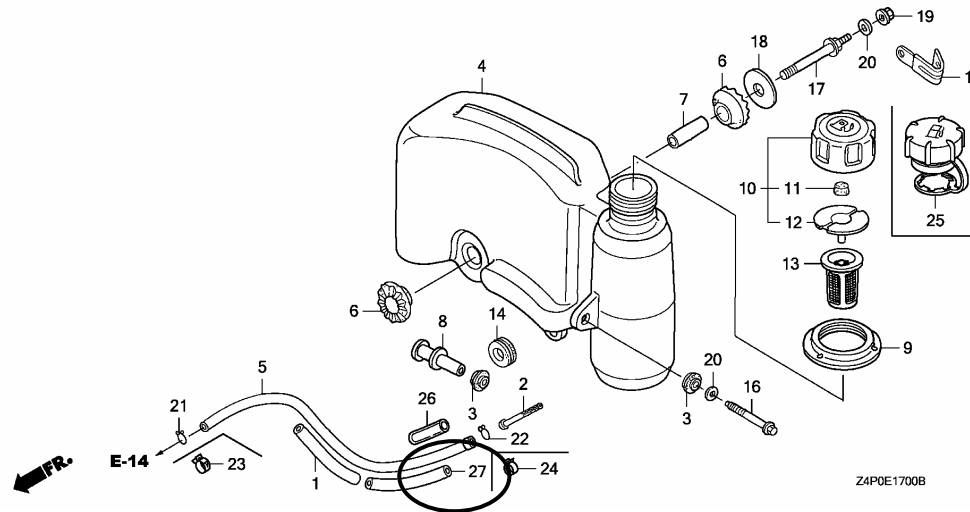
NOTE A:PART NO. CHANGE D:NEWLY PROVIDED E:PART NO.DELETION K:REQUIRED NO. CORRECTION L:APPLICATION SERIAL NO. CORRECTION  
T:APPLICATION CORRECTION Z:REMARKS CHANGE

PARTS CATALOGUE NEWS

BOOKNo. : 13Z4P601

Block No.	Ref. No.	Note	Part No.	Description	Reqd. QTY		Serial No.	Parts catalogue code
					GXV 160 UH2			
					1		----- 1049555	A1AS, A1T, A12
	41	L	93500-05016-0A	SCREW, PAN, 5X16 .....	1		-----	A1S, A1SA, A14
					1		----- 1049555	A1AS, A1T, A12
	48	L	16576-891-000	HOLDER, CABLE .....	1		-----	A1S, A1SA, A14
					1		----- 1049555	A1AS, A1T, A12
	49	D	16617-Z4P-000	HOLDER, CABLE .....	1		1049556	A1AS, A1T, A12

E-17 FUEL TANK



E-17	1	K	16854-ZH8-000	RUBBER, SUPPORTER (107MM) ....	1			
	5	L	17512-Z4P-003	TUBE, FUEL (FKM) .....	1	1011284	1038739	A1S, A1SA, A14, N1, N1F, N15, N4, N45, N5M, N55, SFL, SFL1, SFY, SFY1 T1AH
		T	17512-Z4P-013	.....	1	-----	-----	A1AS, A1T, A12, N1AH, N1F1, N12
					1	1038740	-----	A1S, A1SA, A14, N1, N1F, N15, N4, N45, N5M, N55, SFL, SFL1, SFY, SFY1 T1AH

NOTE A:PART NO. CHANGE D:NEWLY PROVIDED E:PART NO. DELETION K:REQUIRED NO. CORRECTION L:APPLICATION SERIAL NO. CORRECTION  
T:APPLICATION CORRECTION Z:REMARKS CHANGE

## PARTS CATALOGUE NEWS

BOOKNo. : 13Z4P601

Block No.	Ref. No.	Note	Part No.	Description	Reqd. QTY		Serial No.	Parts catalogue code
					GXY 160 UH2			
	26	T	95003-25003-20	TUBE, VINYL, 9X11X30 (95003-25001-10M)	1		-----	A1AS, A1T, A12, N1AH, N1F1, N12
					1		1038740	A1S, A1SA, A14, N1, N1F, N15, N4, N45, N5M, N55, SFL, SFL1, SFY, SFY1 T1AH
	27	D	16854-ZH8-000	RUBBER, SUPPORTER (107MM) . . . .	1		-----	1038739 A1S, A1SA, A14, N1, N1F, N15, N4, N45, N5M, N55, SFL, SFL1, SFY, SFY1 T1AH

NOTE A:PART NO. CHANGE D:NEWLY PROVIDED E:PART NO. DELETION K:REQUIRED NO. CORRECTION L:APPLICATION SERIAL NO. CORRECTION  
T:APPLICATION CORRECTION Z:REMARKS CHANGE



# PARTS CATALOGUE NEWS

Honda Motor Co., Ltd. Service Division

## PARTS CATALOGUE - CORRECTED

Printed in Japan

CODE NO.	BOOKLET TYPE	13Z4P601
	MICRO-FICHE	13Z4P6EA/FA
PARTS CATALOGUE NEWS	GXV160UH2	
NEWS NO.	017	

Block No.	Ref. No.	Note	Part No.	Description	Reqd. QTY	Serial No.	Parts catalogue code
					GXV 160 UH2		
E-11	1	T	28400-Z1V-003ZA	STARTER ASSY., RECOIL *NH1*.....BLACK	1	-----	SFL1, SFY1, T1AH
	2	T	28410-Z1V-003ZB	CASE COMP., RECOIL STARTER *NH1*.....BLACK	1	-----	A1AS, A1S, A1SA, A1T, A12, A14, N1AH, N1F, N1F1, N15, N45, N5M, N55 SFL1, SFY1, T1AH
E-12	1	T	19610-Z1V-000ZB	COVER COMP., FAN *NH1*.....BLACK	1	-----	A1AS, A1S, A1SA, A1T, A12, A14, N1AH, N1F, N1F1, N15, N45, N5M, N55 SFL1, SFY1, T1AH

NOTE A:PART NO. CHANGE D:NEWLY PROVIDED E:PART NO. DELETION K:REQUIRED NO. CORRECTION L:APPLICATION SERIAL NO. CORRECTION  
T:APPLICATION CORRECTION Z:REMARKS CHANGE



# PARTS CATALOGUE NEWS

Honda Motor Co., Ltd. Service Division

## PARTS CATALOGUE - CORRECTED

Printed in Japan

CODE NO.	BOOKLET TYPE	13Z4P601
	MICRO-FICHE	13Z4P6EA/FA
PARTS CATALOGUE NEWS	GXV160UH2	
NEWS NO.	018	

Block No.	Ref. No.	Note	Part No.	Description	Reqd. QTY		Serial No.	Parts catalogue code	
						GXV 160 UH2			
E-3	23	L	43143-Z1V-000	BASE COMP., HOLDER .....	1		-----	A1S, A1SA, A14	
					1		-----	1049555	A1AS, A1T, A12
					1		-----	1068369	A1T
	41	L	93500-05016-0A	SCREW, PAN, 5X16 .....	1		-----	A1S, A1SA, A14	
					1		-----	1049555	A1AS, A1T, A12
					1		-----	1068369	A1T
	48	L	16576-891-000	HOLDER, CABLE .....	1		-----	A1S, A1SA, A14	
					1		-----	1049555	A1AS, A1T, A12
					1		-----	1068369	A1T
	49	L	16617-Z4P-000	HOLDER, CABLE .....	1		-----	A1AS, A12	
					1		-----	1049556 1068368	A1T

NOTE A:PART NO. CHANGE D:NEWLY PROVIDED E:PART NO.DELETION K:REQUIRED NO. CORRECTION L:APPLICATION SERIAL NO. CORRECTION  
T:APPLICATION CORRECTION Z:REMARKS CHANGE





# PARTS CATALOGUE NEWS

Honda Motor Co., Ltd. Service Division

## PARTS CATALOGUE - CORRECTED

Printed in Japan

CODE NO.	BOOKLET TYPE	13Z4P601
	MICRO-FICHE	13Z4P6EA/FA
PARTS CATALOGUE NEWS	GXV160UH2	
NEWS NO.	019	

Block No.	Ref. No.	Note	Part No.	Description	Reqd. QTY	Serial No.		Parts catalogue code	
					GXV 160 UH2				
E-11	1	L	28400-Z1V-003ZA	STARTER ASSY., RECOIL *NH1*..... BLACK	1	-----	-----	SFL1, SFY1	
					1	-----	1050545	T1AH	
		T	28400-Z4P-801ZA	STARTER ASSY., RECOIL (LONG ROPE) *NH1*..... BLACK	1	-----	-----	A1T	
					1	1050546	-----	T1AH	
		10	T	28461-ZE1-003	KNOB, RECOIL STARTER .....	1	-----	-----	A1AS, A1S, A1SA, A1T, A12, A14, N1AH, N1F, N1F1, N12, N15, N45, N5M, N55
					1	1050546	-----	T1AH	
		11	L	28461-ZH8-003	GRIP, STARTER .....	1	-----	-----	N1, N4, SFL, SFL1, SFY, SFY1
					1	-----	1050545	T1AH	
		12	L	28462-ZH8-003	ROPE, RECOIL STARTER .....	1	-----	-----	N1, N4, SFL, SFL1, SFY, SFY1
					1	-----	1050545	T1AH	
		T	28462-Z1V-801	ROPE, RECOIL STARTER (LONG) (2360MM)	1	-----	-----	A1AS, A1S, A1SA, A12, A14, N1AH, N1F, N1F1, N12, N15, N45, N5M, N55	

NOTE A:PART NO. CHANGE D:NEWLY PROVIDED E:PART NO.DELETION K:REQUIRED NO. CORRECTION L:APPLICATION SERIAL NO. CORRECTION  
T:APPLICATION CORRECTION Z:REMARKS CHANGE

## PARTS CATALOGUE NEWS

BOOKNo. : 13Z4P601

Block No.	Ref. No.	Note	Part No.	Description	Reqd. QTY GXV 160 UH2	Serial No.	Parts catalogue code
					1	1050546 -----	T1AH

NOTE A:PART NO. CHANGE D:NEWLY PROVIDED E:PART NO.DELETION K:REQUIRED NO. CORRECTION L:APPLICATION SERIAL NO. CORRECTION  
T:APPLICATION CORRECTION Z:REMARKS CHANGE



# PARTS CATALOGUE NEWS

Honda Motor Co., Ltd. Service Division

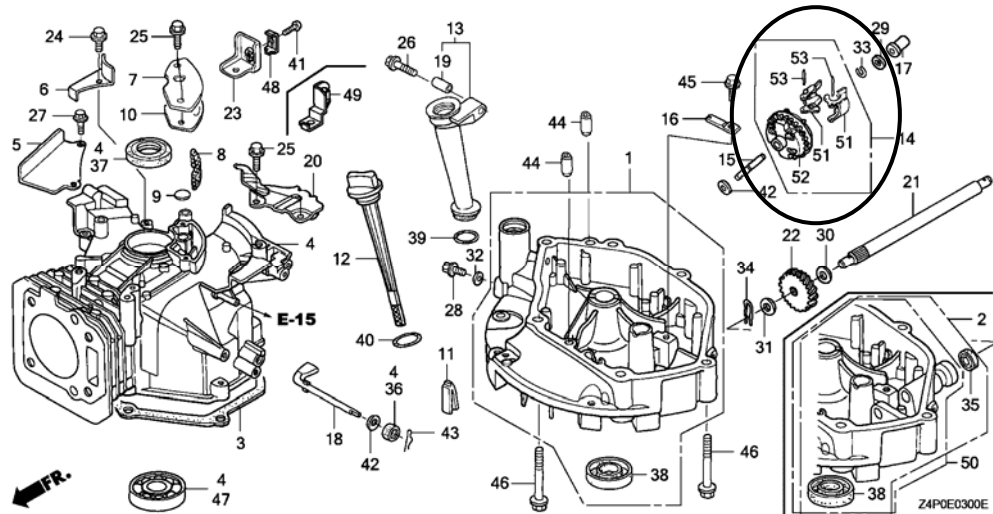
## PARTS CATALOGUE - CORRECTED

Printed in Japan

CODE NO.	BOOKLET TYPE	13Z4P601
	MICRO-FICHE	13Z4P6EA/FA
PARTS CATALOGUE NEWS	GXV160UH2	
NEWS NO.	020	

Block No.	Ref. No.	Note	Part No.	Description	Reqd. QTY	Serial No.	Parts catalogue code
					GXV 160 UH2		

E-3 CYLINDER BARREL



E-3	51	D	16511-ZE1-000	WEIGHT, GOVERNOR .....	2		
-----	----	---	---------------	------------------------	---	--	--

NOTE A:PART NO. CHANGE D:NEWLY PROVIDED E:PART NO. DELETION K:REQUIRED NO. CORRECTION L:APPLICATION SERIAL NO. CORRECTION  
T:APPLICATION CORRECTION Z:REMARKS CHANGE

## PARTS CATALOGUE NEWS

BOOKNo. : 13Z4P601

Block No.	Ref. No.	Note	Part No.	Description	Reqd. QTY	Serial No.	Parts catalogue code
					GXY 160 UH2		
	52	D	16512-ZE6-000	HOLDER, GOVERNOR WEIGHT .....	1		
	53	D	16513-ZE1-000	PIN, GOVERNOR WEIGHT .....	2		

NOTE A:PART NO. CHANGE D:NEWLY PROVIDED E:PART NO. DELETION K:REQUIRED NO. CORRECTION L:APPLICATION SERIAL NO. CORRECTION  
T:APPLICATION CORRECTION Z:REMARKS CHANGE

November 23, 2007



## PARTS CATALOGUE NEWS

Honda Motor Co., Ltd. Service Division

Printed in Japan

CODE NO.	BOOKLET TYPE	13Z4P601
	MICRO- FICHE	13Z4P6EA/FA
PARTS CATALOGUE NEWS	GXV160UH2	
NEWS NO.	021	

### GXV160UH2-N5AH type sales information

NOTE: This Parts Catalogue News explains only the parts of the different model that are produced to conform to addition of the GXV160UH2-N5AH type.

As for the parts not listed on this Parts Catalogue News, use the parts of the GXV160UH2-N1AH type.

BOOKNo. : 13Z4P601

## • Models, parts catalogue codes and applicable serial numbers

Model	Type		Parts catalogue type	Applicable engine serial No.	Applicable carburetor identification No.
GXV160UH2	N1AH	Base type	N1AH	GJABH-1000001~	BE66N A
	N5AH	Additional type	N5AH		

## • Features of each type

		Base type	Additional type
Specifications	Model	GXV160UH2	
	Type	N1AH	N5AH
Crankshaft	22.2mm Ø Straight	●	
	25.4mm Ø Straight (Flat key-way)		
	25.4mm Ø Straight		●
	20mm Ø Steped thread		
	5/8" Stepped thread		
	M8 Tapered		
	25mm Ø Straight		
Flywheel brake			

## PARTS CATALOGUE NEWS

BOOKNo. : 13Z4P601

Block No.	Ref. No.	Part No.	Description	Reqd. QTY	Base Part No.	Parts catalogue code
				GXV 160 UH2		
E-7	7		CRANKSHAFT COMP. ....	0	13310-ZE7-010	
	9	13310-ZE7-661	CRANKSHAFT COMP. ....	1		
E-11	1		STARTER ASSY., RECOIL (LONG ROPE)		28400-Z1V-801ZB	
			*R280*. .... POWER RED	0		
	2		CASE COMP., RECOIL STARTER *R280*. .... POWER RED	0	28410-Z1V-003ZA	
E-12	1		COVER COMP., FAN *R280*. .... POWER RED	0	19610-Z1V-000ZA	



# PARTS CATALOGUE NEWS

Honda Motor Co., Ltd. Service Division

## PARTS CATALOGUE - CORRECTED

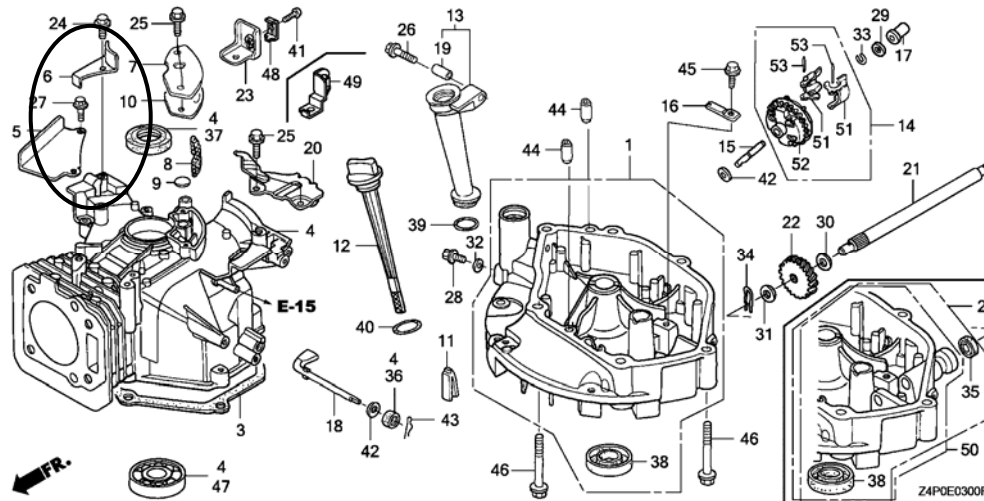
Printed in Japan

CODE NO.	BOOKLET TYPE	13Z4P601
	MICRO-FICHE	13Z4P6EA/FA
PARTS CATALOGUE NEWS	GXV160UH2	
NEWS NO.	022	

Block No.	Ref. No.	Note	Part No.	Description	Reqd. QTY	Serial No.	Parts catalogue code
					GXV 160 UH2		

E-3 CYLINDER BARREL

ILLUSTRATION CORRECTED



NOTE A:PART NO. CHANGE D:NEWLY PROVIDED E:PART NO. DELETION K:REQUIRED NO. CORRECTION L:APPLICATION SERIAL NO. CORRECTION  
T:APPLICATION CORRECTION Z:REMARKS CHANGE





# PARTS CATALOGUE NEWS

Honda Motor Co., Ltd. Service Division

## PARTS CATALOGUE - CORRECTED

Printed in Japan

CODE NO.	BOOKLET TYPE	13Z4P601
	MICRO-FICHE	13Z4P6EA/FA
PARTS CATALOGUE NEWS	GXV160UH2	
NEWS NO.	023	

Block No.	Ref. No.	Note	Part No.	Description	Reqd. QTY	Serial No.	Parts catalogue code
E-3	22	Z	23421-ZE6-000	GEAR, DRIVEN (22T) .....	1	-----	SFL, SFL1, SFY1

**PARTS NAME CORRECTED**

NOTE A:PART NO. CHANGE D:NEWLY PROVIDED E:PART NO.DELETION K:REQUIRED NO. CORRECTION L:APPLICATION SERIAL NO. CORRECTION  
T:APPLICATION CORRECTION Z:REMARKS CHANGE

April 04, 2008



---

## PARTS CATALOGUE NEWS

---

Honda Motor Co., Ltd. Service Division

Printed in Japan

CODE NO.	BOOKLET TYPE	13Z4P601
	MICRO- FICHE	13Z4P6EA/FA
PARTS CATALOGUE NEWS	GXV160UH2	
NEWS NO.	024	

### **GXV160UH2-N1MH type sales information**

NOTE: This Parts Catalogue News explains only the parts of the different model that are produced to conform to addition of the GXV160UH2-N1MH type.

As for the parts not listed on this Parts Catalogue News, use the parts of the GXV160UH2-N1AH type.

BOOKNo. : 13Z4P601

## • Models, parts catalogue codes and applicable serial numbers

Model	Type		Parts catalogue type	Applicable engine serial No.	Applicable carburetor identification No.
GXV160UH2	N1AH	Base type	N1AH	GJABH-1000001~	BE66N A
	N1MH	Additional type	N1MH		

## • Features of each type

		Base type	Additional type
Specifications	Model	GXV160UH2	
	Type	N1AH	N1MH
Crankshaft	22.2mm Ø Straight	●	●
	25.4mm Ø Straight (Flat key-way)		
	25.4mm Ø Straight		
	20mm Ø Stepped thread		
	5/8" Stepped thread		
	M8 Tapered		
	25mm Ø Straight		
Flywheel brake			

PARTS CATALOGUE NEWS

BOOKNo. : 13Z4P601

Block No.	Ref. No.	Part No.	Description	Reqd. QTY	Base Part No.	Parts catalogue code	
				GXV 160 UH2			
E-11	1	28400-Z1V-003ZB	STARTER ASSY., RECOIL				
			*R280*..... POWER RED	1			
			STARTER ASSY., RECOIL (LONG ROPE)		28400-Z1V-801ZA		
				*NH1*..... BLACK	0		
				STARTER ASSY., RECOIL (LONG ROPE)		28400-Z1V-801ZB	
				*R280*..... POWER RED	0		
		2		CASE COMP., RECOIL STARTER		28410-Z1V-003ZB	
			*NH1*..... BLACK	0			
	10		KNOB, RECOIL STARTER	0	28461-ZE1-003		
	11	28461-ZH8-003	GRIP, STARTER	1			
	12	28462-ZH8-003	ROPE, RECOIL STARTER	1	28462-Z1V-801		
E-12	1		COVER COMP., FAN		19610-Z1V-000ZB		
			*NH1*..... BLACK	0			



# PARTS CATALOGUE NEWS

Honda Motor Co., Ltd. Service Division

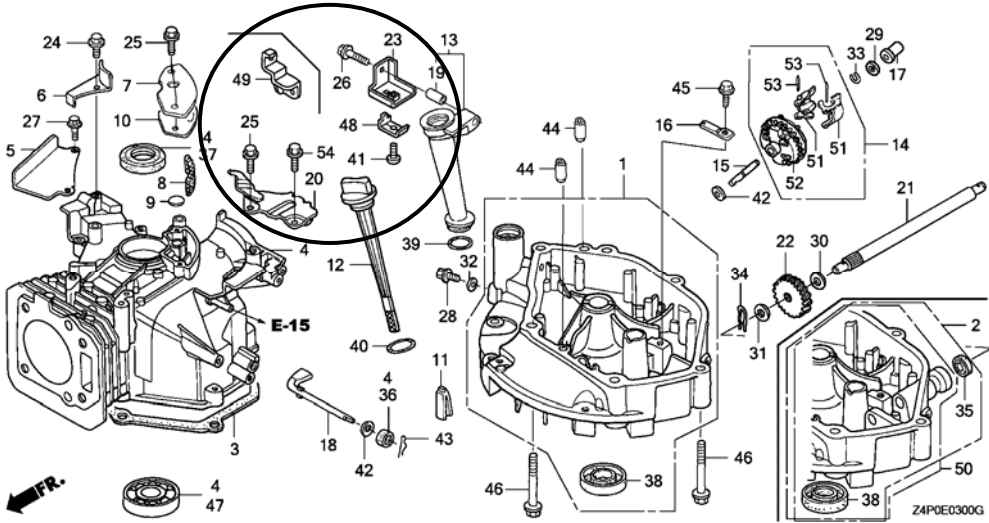
## PARTS CATALOGUE - CORRECTED

Printed in Japan

CODE NO.	BOOKLET TYPE	13Z4P601
	MICRO-FICHE	13Z4P6EA/FA
PARTS CATALOGUE NEWS	GXV160UH2	
NEWS NO.	025	

Block No.	Ref. No.	Note	Part No.	Description	Reqd. QTY	Serial No.	Parts catalogue code
E-3				CYLINDER BARREL			

E-3 CYLINDER BARREL



E-3	25	K	90014-952-000	BOLT, FLANGE, 6X14(CT200) . . . .	3		
-----	----	---	---------------	-----------------------------------	---	--	--

NOTE A:PART NO. CHANGE D:NEWLY PROVIDED E:PART NO.DELETION K:REQUIRED NO. CORRECTION L:APPLICATION SERIAL NO. CORRECTION  
T:APPLICATION CORRECTION Z:REMARKS CHANGE

## PARTS CATALOGUE NEWS

BOOKNo. : 13Z4P601

Block No.	Ref. No.	Note	Part No.	Description	Reqd. QTY	Serial No.	Parts catalogue code
	54	D	90014-952-000	BOLT, FLANGE, 6X14 (CT200) ....	1	-----	N1, N1AH, N1F, N1F1, N1MH, N12, N15, N4, N45, N5AH, N5M, N55, SFL SFL1, SFY, SFY1, T1AH

NOTE A:PART NO. CHANGE D:NEWLY PROVIDED E:PART NO.DELETION K:REQUIRED NO. CORRECTION L:APPLICATION SERIAL NO. CORRECTION  
T:APPLICATION CORRECTION Z:REMARKS CHANGE



# PARTS CATALOGUE NEWS

Honda Motor Co., Ltd. Service Division

## PARTS CATALOGUE - CORRECTED

Printed in Japan

CODE NO.	BOOKLET TYPE	13Z4P601
	MICRO-FICHE	13Z4P6EA/FA
PARTS CATALOGUE NEWS	GXV160UH2	
NEWS NO.	026	

Block No.	Ref. No.	Note	Part No.	Description	Reqd. QTY	Serial No.	Parts catalogue code
					GXV 160 UH2		
E-17	5	T	17512-Z4P-013	TUBE, FUEL (FKM) .....	1	-----	A1AS, A1T, A12, N1AH, N1F1, N12, N5AH
					1	1038740	A1S, A1SA, A14, N1, N1F, N15, N4, N45, N5M, N55, SFL, SFL1, SFY, SFY1 T1AH
	D	17512-Z4P-023	.....	1	-----	N1MH	

NOTE A:PART NO. CHANGE D:NEWLY PROVIDED E:PART NO.DELETION K:REQUIRED NO. CORRECTION L:APPLICATION SERIAL NO. CORRECTION  
T:APPLICATION CORRECTION Z:REMARKS CHANGE



# PARTS CATALOGUE NEWS

Honda Motor Co., Ltd. Service Division

## PARTS CATALOGUE - CORRECTED

Printed in Japan

CODE NO.	BOOKLET TYPE	13Z4P601
	MICRO-FICHE	13Z4P6EA/FA
PARTS CATALOGUE NEWS	GXV160UH2	
NEWS NO.	027	

Block No.	Ref. No.	Note	Part No.	Description	Reqd. QTY	Serial No.		Parts catalogue code
					GXV 160 UH2			
E-11	1	T	28400-Z1V-003ZA	STARTER ASSY., RECOIL *NH1*..... BLACK	1	-----	-----	SFL1, SFY1
					1	-----	1050545	T1AH
					1	1090102	-----	N5AH
	L		28400-Z1V-801ZA	STARTER ASSY., RECOIL (LONG ROPE) *NH1*..... BLACK	1	-----	-----	A1AS, A1S, A1SA, A12, A14, N1AH, N1F, N1F1, N15, N45, N5M, N55
					1	-----	1090101	N5AH
					10	L	28461-ZE1-003	KNOB, RECOIL STARTER .....
	11	T	28461-ZH8-003	GRIP, STARTER .....	1	-----	-----	N1, N1MH, N4, SFL, SFL1, SFY, SFY1
					1	-----	1050545	T1AH
					1	1090102	-----	N5AH

NOTE A:PART NO. CHANGE D:NEWLY PROVIDED E:PART NO.DELETION K:REQUIRED NO. CORRECTION L:APPLICATION SERIAL NO. CORRECTION  
T:APPLICATION CORRECTION Z:REMARKS CHANGE



PARTS CATALOGUE NEWS

BOOKNo. : 13Z4P601

Block No.	Ref. No.	Note	Part No.	Description	Reqd. QTY		Serial No.	Parts catalogue code
					GXV 160 UH2			
	12	T	28462-ZH8-003	ROPE, RECOIL STARTER .....	1		-----	N1, N1MH, N4, SFL, SFL1, SFY, SFY1
					1		----- 1050545	T1AH
					1		1090102 -----	N5AH
		L	28462-Z1V-801	ROPE, RECOIL STARTER (LONG) (2360MM)	1		-----	A1AS, A1S, A1SA, A12, A14, N1AH, N1F, N1F1, N12, N15, N45, N5M, N55
					1		----- 1090101	N5AH
					1		1050546 -----	T1AH

NOTE A:PART NO. CHANGE D:NEWLY PROVIDED E:PART NO.DELETION K:REQUIRED NO. CORRECTION L:APPLICATION SERIAL NO. CORRECTION  
T:APPLICATION CORRECTION Z:REMARKS CHANGE



## PARTS CATALOGUE NEWS

Honda Motor Co., Ltd. Service Division

Printed in Japan

December 19, 2008

CODE NO.	BOOKLET TYPE	13Z4P601
	MICRO- FICHE	13Z4P6EA/FA
PARTS CATALOGUE NEWS	GXV160UH2	
NEWS NO.	028	

### **GXV160UH2-SFL2 and SFL4 types sales information**

NOTE: This Parts Catalogue News explains only the parts of the different model that are produced to conform to addition of the GXV160UH2-SFL2 and SFL4 types.

As for the parts not listed on this Parts Catalogue News, use the parts of the GXV160UH2-SFL1 type.

• Models, parts catalogue codes and applicable serial numbers

Model	Type		Parts catalogue type	Applicable engine serial No.	Applicable carburetor identification No.
GXV160UH2	SFL1	Base type	SFL1	GJABH-1000001~	BE66J A, BE66N A
	SFL2	Additional type	SFL2		BE66N A
	SFL4		SFL4		

• Features of each type

		Base type	Additional type	
Specifications	Model	GXV160UH2		
	Type	SFL1	SFL2	SFL4
Crankshaft	22.2mm ø Straight			
	25.4mm ø Straight (Flat key-way)			
	25.4mm ø Straight			
	20mm ø Stepped thread	●	●	●
	5/8" Stepped thread			
	M8 Tapered			
	25mm ø Straight			
Flywheel brake				

## PARTS CATALOGUE NEWS

BOOKNo. : 13Z4P601

Block No.	Ref. No.	Part No.	Description	Reqd. QTY	Base Part No.	Parts catalogue code
				GXV 160 UH2		
E-3	22	23431-ZG9-T20	GEAR, DRIVEN (18T) .....	1	23421-ZE6-000	SFL4
E-9	2	14100-ZE7-N40	CAMSHAFT ASSY. ....	1	14100-ZE7-770	SFL4
	6	14451-Z7E-000	PIVOT, ROCKER ARM .....	2	14451-ZE1-013	
E-11	1		STARTER ASSY., RECOIL *R280*..... POWER RED	0	28400-Z1V-003ZB	SFL2
		28400-Z1V-801ZA	STARTER ASSY., RECOIL (LONG ROPE) *NH1*..... BLACK	1	28400-Z1V-003ZA	SFL2
	2		CASE COMP., RECOIL STARTER *R280*..... POWER RED	0	28410-Z1V-003ZA	SFL2
	10	28461-ZE1-003	KNOB, RECOIL STARTER .....	1		SFL2
	11		GRIP, STARTER .....	0	28461-ZH8-003	SFL2
	12	28462-Z1V-801	ROPE, RECOIL STARTER (LONG) (2360MM)	1	28462-ZH8-003	SFL2
E-12	1		COVER COMP., FAN *R280*..... POWER RED	0	19610-Z1V-000ZA	SFL2
E-14	3	16013-Z0S-B01	FLOAT SET .....	1	16013-Z0S-B01	
	8	16045-Z1V-G01	CHOKE SET .....	1	16045-Z1V-G01	
	11	16166-Z1V-801	NOZZLE, MAIN .....	1	16166-Z1V-801	
	21	99101-ZH8-0650	JET, MAIN, #65 .....	(1)	99101-ZH8-0650	
		99101-ZH8-0680	JET, MAIN, #68 .....	1	99101-ZH8-0680	
E-17	4	17510-Z4P-800	TANK COMP., FUEL .....	1	17510-Z4P-000	
	5	17512-Z4P-023	TUBE, FUEL (FKM) .....	1	17512-Z4P-013	
	27		RUBBER, SUPPORTER (107MM) ....	0	16854-ZH8-000	
E-22	17	46392-Z1V-003	CLAMP, HARNESS .....	1	46392-SC2-003	
	21	90659-Z1V-003	CLIP, HARNESS .....	1	90659-680-013	



# PARTS CATALOGUE NEWS

Honda Motor Co., Ltd. Service Division

## PARTS CATALOGUE - CORRECTED

Printed in Japan

CODE NO.	BOOKLET TYPE	13Z4P601
	MICRO-FICHE	13Z4P6EA/FA
PARTS CATALOGUE NEWS	GXV160UH2	
NEWS NO.	029	

Block No.	Ref. No.	Note	Part No.	Description	Reqd. QTY		Serial No.	Parts catalogue code	
						GXV 160 UH2			
E-2	5	L	12251-ZE7-000	GASKET, CYLINDER HEAD .....	1	-----	1116222	A1AS, A1S, A1SA, A1T, A12, A14, N1, N1AH, N1F, N1F1, N1MH, N12, N15 N4, N45, N5AH, N5M, N55, SFL, SFL1, SFY, SFY1, T1AH	
			T	12251-Z1V-003	.....	1	-----	-----	SFL2, SFL4
						1	1116223	-----	A1AS, A1S, A1SA, A1T, A12, A14, N1, N1AH, N1F, N1F1, N1MH, N12, N15 N4, N45, N5AH, N5M, N55, SFL, SFL1, SFY, SFY1, T1AH

NOTE A:PART NO. CHANGE D:NEWLY PROVIDED E:PART NO.DELETION K:REQUIRED NO. CORRECTION L:APPLICATION SERIAL NO. CORRECTION  
T:APPLICATION CORRECTION Z:REMARKS CHANGE



# PARTS CATALOGUE NEWS

Honda Motor Co., Ltd. Service Division

## PARTS CATALOGUE - CORRECTED

Printed in Japan

CODE NO.	BOOKLET TYPE	13Z4P601
	MICRO-FICHE	13Z4P6EA/FA
PARTS CATALOGUE NEWS	GXV160UH2	
NEWS NO.	030	

Block No.	Ref. No.	Note	Part No.	Description	Reqd. QTY	Serial No.	Parts catalogue code
					GXV 160 UH2		
E-11	1	T	28400-Z1V-801ZB	STARTER ASSY., RECOIL (LONG ROPE) *R280* . . . . . POWER RED	1	-----	A1AS, A1S, A1SA, A12, A14, N1AH, N1F, N12, N15, N45, N5M, N55, SFL2
	2	T	28410-Z1V-003ZA	CASE COMP., RECOIL STARTER *R280* . . . . . POWER RED	1	-----	A1AS, A1S, A1SA, A1T, A12, A14, N1, N1AH, N1F, N1MH, N12, N15, N4, N45 N5M, N55, SFL, SFL1, SFL2, SFL4, SFY, SFY1
E-12	1	T	19610-Z1V-000ZA	COVER COMP., FAN *R280* . . . . . POWER RED	1	-----	A1AS, A1S, A1SA, A1T, A12, A14, N1, N1AH, N1F, N1MH, N12, N15, N4, N45 N5M, N55, SFL, SFL1, SFL2, SFL4, SFY, SFY1

NOTE A:PART NO. CHANGE D:NEWLY PROVIDED E:PART NO.DELETION K:REQUIRED NO. CORRECTION L:APPLICATION SERIAL NO. CORRECTION  
T:APPLICATION CORRECTION Z:REMARKS CHANGE



# PARTS CATALOGUE NEWS

Honda Motor Co., Ltd. Service Division

## PARTS CATALOGUE - CORRECTED

Printed in Japan

CODE NO.	BOOKLET TYPE	13Z4P601
	MICRO-FICHE	13Z4P6EA/FA
PARTS CATALOGUE NEWS	GXV160UH2	
NEWS NO.	031	

Block No.	Ref. No.	Note	Part No.	Description	Reqd. QTY	Serial No.	Parts catalogue code
					GXV 160 UH2		
E-17	5	L	17512-Z4P-013	TUBE, FUEL (FKM) .....	1	----- 1123369	A1AS, A1T, A12, N1AH, N1F1, N12, N5AH
					1	1038740 1123369	A1S, A1SA, A14, N1, N1F, N15, N4, N45, N5M, N55, SFL, SFL1, SFY, SFY1 T1AH
		T	17512-Z4P-023	.....	1	----- -----	N1MH, SFL2, SFL4
					1	1123370 -----	A1AS, A1S, A1SA, A1T, A12, A14, N1, N1AH, N1F, N1F1, N12, N15, N4, N45 N5AH, N5M, N55, SFL, SFL1, SFY, SFY1, T1AH

NOTE A:PART NO. CHANGE D:NEWLY PROVIDED E:PART NO. DELETION K:REQUIRED NO. CORRECTION L:APPLICATION SERIAL NO. CORRECTION  
T:APPLICATION CORRECTION Z:REMARKS CHANGE



# PARTS CATALOGUE NEWS

Honda Motor Co., Ltd. Service Division

## PARTS CATALOGUE - CORRECTED

Printed in Japan

CODE NO.	BOOKLET TYPE	13Z4P601
	MICRO-FICHE	13Z4P6EA/FA
PARTS CATALOGUE NEWS	GXV160UH2	
NEWS NO.	032	

Block No.	Ref. No.	Note	Part No.	Description	Reqd. QTY	Serial No.	Parts catalogue code
					GXV 160 UH2		

**PARTS NAME CORRECTED**

E-28	3	Z	87516-Z4N-810	MARK, OPERATOR CAUTION (PICTOGRAPH) MADE IN CHINA	(1)		
	4	Z	87516-Z4N-800	MARK, OPERATOR CAUTION (FRENCH) MADE IN CHINA	1		

NOTE A:PART NO. CHANGE D:NEWLY PROVIDED E:PART NO. DELETION K:REQUIRED NO. CORRECTION L:APPLICATION SERIAL NO. CORRECTION T:APPLICATION CORRECTION Z:REMARKS CHANGE





## PARTS CATALOGUE NEWS

Honda Motor Co., Ltd. Service Division

Printed in Japan

CODE NO.	BOOKLET TYPE	13Z4P601
	MICRO- FICHE	13Z4P6EA/FA
PARTS CATALOGUE NEWS	GXV160UH2	
NEWS NO.	033	

### GXV160UH2-A12W type sales information

NOTE: This Parts Catalogue News explains only the parts of the different model that are produced to conform to addition of the GXV160UH2-A12W type.

As for the parts not listed on this Parts Catalogue News, use the parts of the GXV160UH2-A12 type.

BOOKNo. : 13Z4P601

## • Models, parts catalogue codes and applicable serial numbers

Model	Type		Parts catalogue type	Applicable engine serial No.	Applicable carburetor identification No.
GXV160UH2	A12	Base type	A12	GJABH-1000001~	BE66N A
	A12W	Additional type	A12W		

## • Features of each type

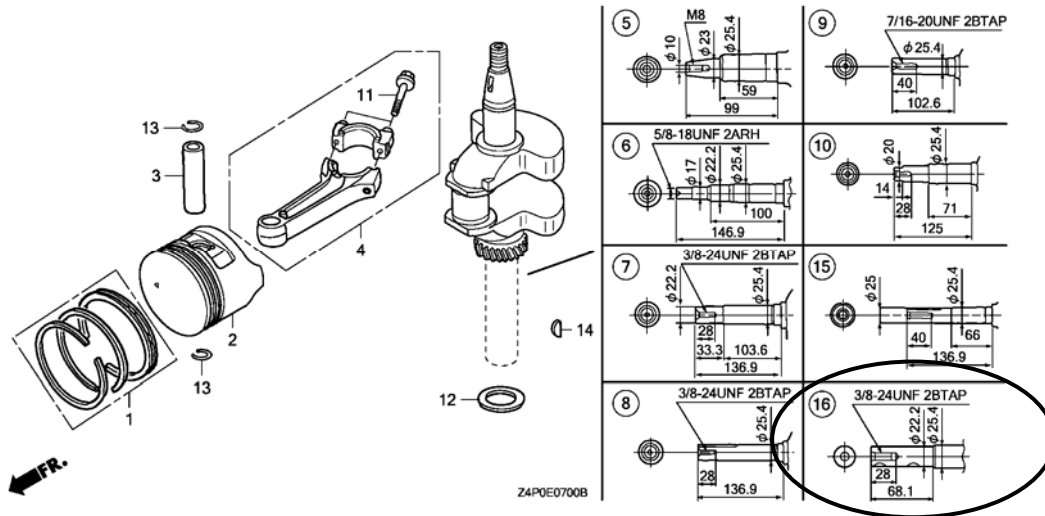
		Base type	Additional type
<b>Specifications</b>	<b>Model</b>	GXV160UH2	
	<b>Type</b>	A12	A12W
Crankshaft	22.2mm ø Straight	●	●
	25.4mm ø Straight (Flat key-way)		
	25.4mm ø Straight		
	20mm ø Stepped thread		
	5/8" Stepped thread		
	M8 Tapered		
	25mm ø Straight		
Flywheel brake		●	●

BOOKNo. : 13Z4P601

Block No.	Ref. No.	Part No.	Description	Reqd. QTY GXV 160 UH2	Base Part No.	Parts catalogue code
-----------	----------	----------	-------------	--------------------------------	---------------	----------------------

E-7 CRANKSHAFT/PISTON

Ref. No.	(Relative ref. Number) LON Description	FRT
5	(6, 7, 8, 9, 10, 15, 16) 1101FO CRANKSHAFT .....	1.1



E-7	7		CRANKSHAFT COMP. ....	0	13310-ZE7-010
	16	13310-ZE7-800	CRANKSHAFT COMP. ....	1	
E-9	6	14451-Z7E-000	PIVOT, ROCKER ARM .....	2	14451-ZE1-013
E-11	1		STARTER ASSY., RECOIL (LONG ROPE) *NH1*..... BLACK	0	28400-Z1V-801ZA
	2		CASE COMP., RECOIL STARTER *NH1*..... BLACK	0	28410-Z1V-003ZB
E-12	1		COVER COMP., FAN *NH1*..... BLACK	0	19610-Z1V-000ZB
E-17	4	17510-Z4P-800	TANK COMP., FUEL .....	1	17510-Z4P-000
	15	90010-Z1V-800	CLIP, TUBE .....	1	90010-GE0-710
E-22	2		ARM, GOVERNOR .....	0	16551-ZE7-000
	3		ROD, GOVERNOR .....	0	16555-ZE7-000

## PARTS CATALOGUE NEWS

BOOKNo. : 13Z4P601

Block No.	Ref. No.	Part No.	Description	Reqd. QTY	Base Part No.	Parts catalogue code
				GXV 160 UH2		
	4		SPRING, GOVERNOR .....	0	16561-ZE7-020	
	5		SPRING, THROTTLE RETURN .....	0	16562-ZE6-000	
	7		CONTROL ASSY. ....	0	16570-ZE7-020	
	8		ROD, CHOKE .....	0	16573-ZE7-000	
	9		SPRING, LEVER .....	0	16576-ZE7-300	
	10		HOLDER, CABLE .....	0	16576-891-000	
	11		SPRING, CONTROL ADJUSTING ....	0	16584-883-300	
	12		PROTECTOR, CONTROL .....	0	16585-ZE7-000	
	18		BOLT, FLANGE, 6X12 (CT200) ....	0	90013-883-000	
	19		BOLT, GOVERNOR ARM .....	0	90015-ZE5-010	
	21		CLIP, WIRE HARNESS .....	0	90659-680-013	
	23		SCREW, PAN, 5X16 .....	0	93500-05016-0A	
	24		SCREW, PAN, 5X20 .....	0	93500-05020-0A	
	25		SCREW, PAN, 5X28 .....	0	93500-05028-0A	
	26		NUT, FLANGE, 6MM .....	0	94050-06000	
	27		BOLT, FLANGE, 6X10 .....	0	95701-06010-00	
E-22-1	2	16551-ZE7-000	ARM, GOVERNOR .....	1		
	3	16555-ZE7-000	ROD, GOVERNOR .....	1		
	4	16561-ZE7-020	SPRING, GOVERNOR .....	1		
	5	16562-ZE6-000	SPRING, THROTTLE RETURN .....	1		
	6	16570-ZE7-W00	CONTROL COMP. (STD.) .....	1		
	7	16573-ZE7-000	ROD, CHOKE .....	1		
	8	16576-ZE7-300	SPRING, LEVER .....	1		
	9	16576-891-000	HOLDER, CABLE .....	1		

## PARTS CATALOGUE NEWS

BOOKNo. : 13Z4P601

Block No.	Ref. No.	Part No.	Description	Reqd. QTY	Base Part No.	Parts catalogue code
				GXV 160 UH2		
	10	16584-883-300	SPRING, CONTROL ADJUSTING ....	2		
	11	16585-ZE7-000	PROTECTOR, CONTROL .....	1		
	12	16599-ZG1-M10	COLLAR, STOPPER .....	1		
	17	90013-883-000	BOLT, FLANGE, 6X12 (CT200) ....	2		
	18	90015-ZE5-010	BOLT, GOVERNOR ARM .....	1		
	19	90016-ZE7-W00	SCREW, RECESSED, 5X28 .....	1		
	20	90659-Z1V-003	CLIP, HARNESS .....	1		
	22	93500-05016-0A	SCREW, PAN, 5X16 .....	1		
	23	93500-05020-0A	SCREW, PAN, 5X20 .....	1		
	24	94050-06000	NUT, FLANGE, 6MM .....	1		
	25	95701-06010-00	BOLT, FLANGE, 6X10 .....	2		
E-28	3	87516-Z4N-010	MARK, OPERATOR CAUTION .....	1		
	4	87516-Z4N-801	MARK, OPERATOR CAUTION .....	1	87516-Z4N-800	



# PARTS CATALOGUE NEWS

Honda Motor Co., Ltd. Service Division

## PARTS CATALOGUE - CORRECTED

Printed in Japan

CODE NO.	BOOKLET TYPE	13Z4P601
	MICRO-FICHE	13Z4P6EA/FA
PARTS CATALOGUE NEWS	GXV160UH2	
NEWS NO.	034	

Block No.	Ref. No.	Note	Part No.	Description	Reqd. QTY	Serial No.	Parts catalogue code
					GXV 160 UH2		
E-16	4	T	18320-Z1V-000	PROTECTOR COMP., MUFFLER .....	1	-----	A1AS, A1S, A1SA, A1T, A12, A14, N1, N1AH, N1F, N1F1, N1MH, N12, N15 N4, N45, N5AH, N5M, N55, SFL, SFL1, SFL2, SFL4, SFY, SFY1, T1AH
		A	18320-Z1V-010	.....	1	-----	A12W

NOTE A:PART NO. CHANGE D:NEWLY PROVIDED E:PART NO.DELETION K:REQUIRED NO. CORRECTION L:APPLICATION SERIAL NO. CORRECTION  
T:APPLICATION CORRECTION Z:REMARKS CHANGE