

Parts Catalogue

Bull mower

HRC 664

HRC 804



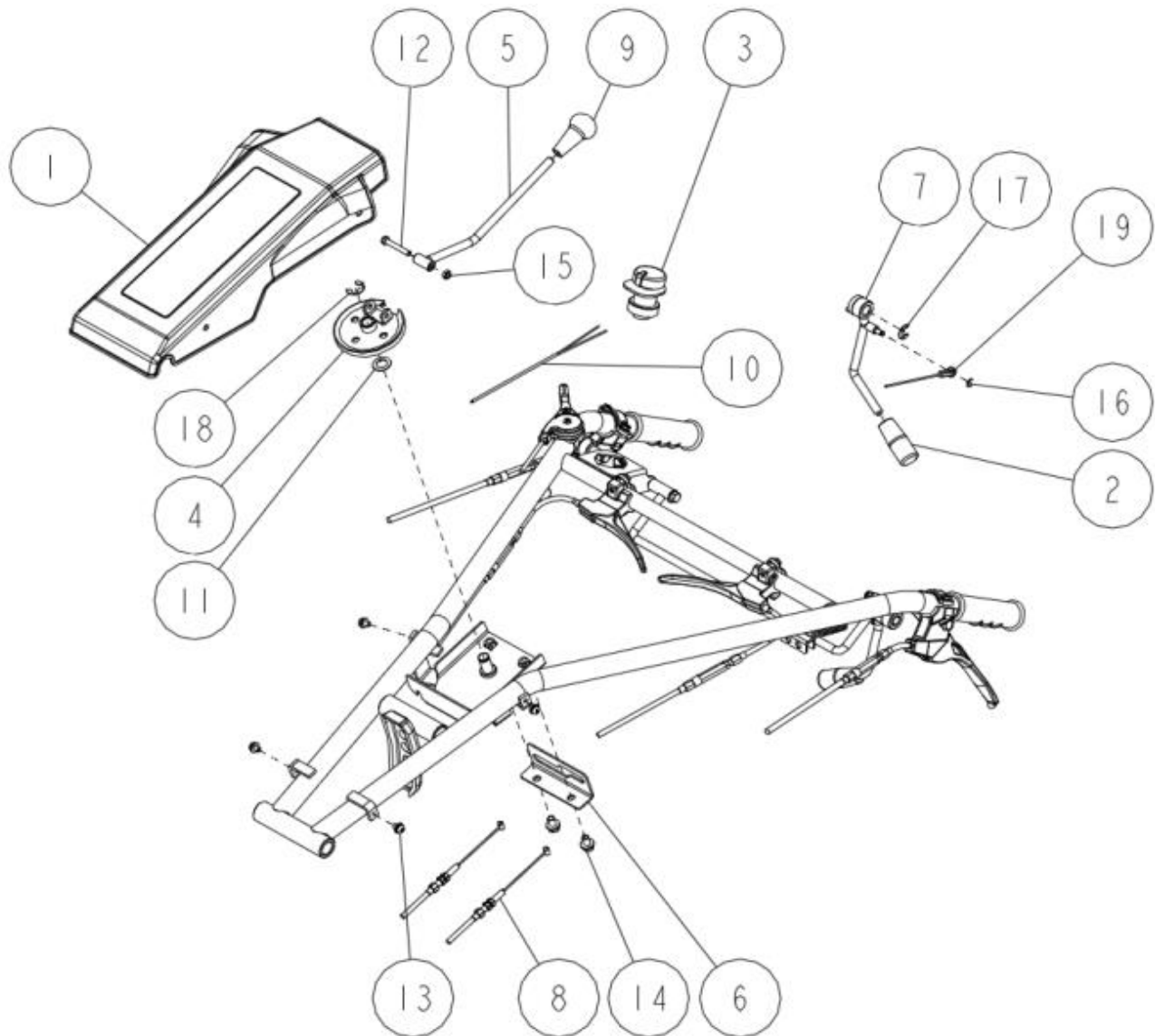
《Contents》

Handle Part	1
Flame Part	3
Mission Part	7
Rotary Part	1 3
Crawler Part	2 0
Engine Part	2 2
Label Part	2 3
Option part	2 4

OREC CO., LTD.

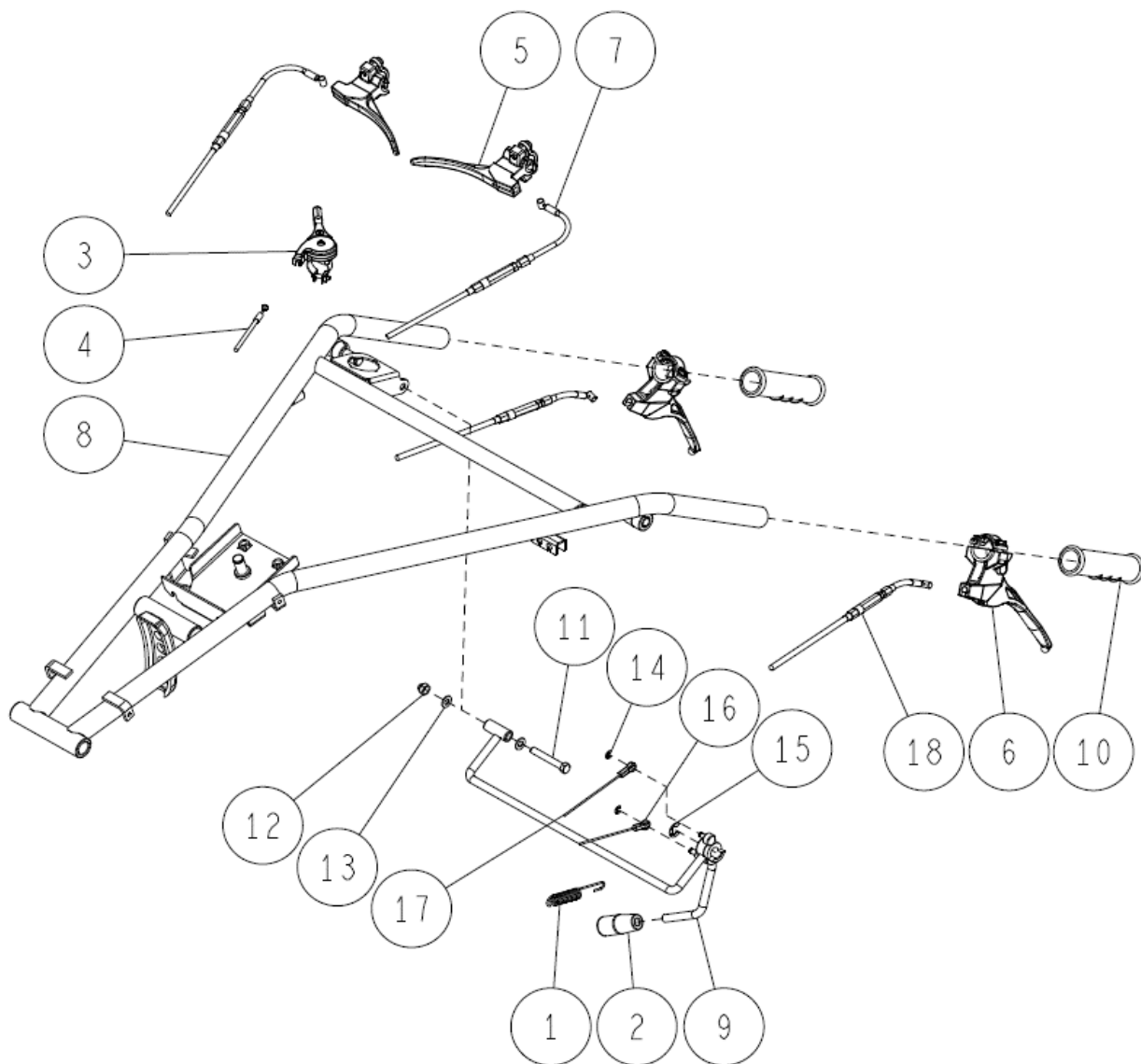
Update: 2021/3/1

Handle part 1/2



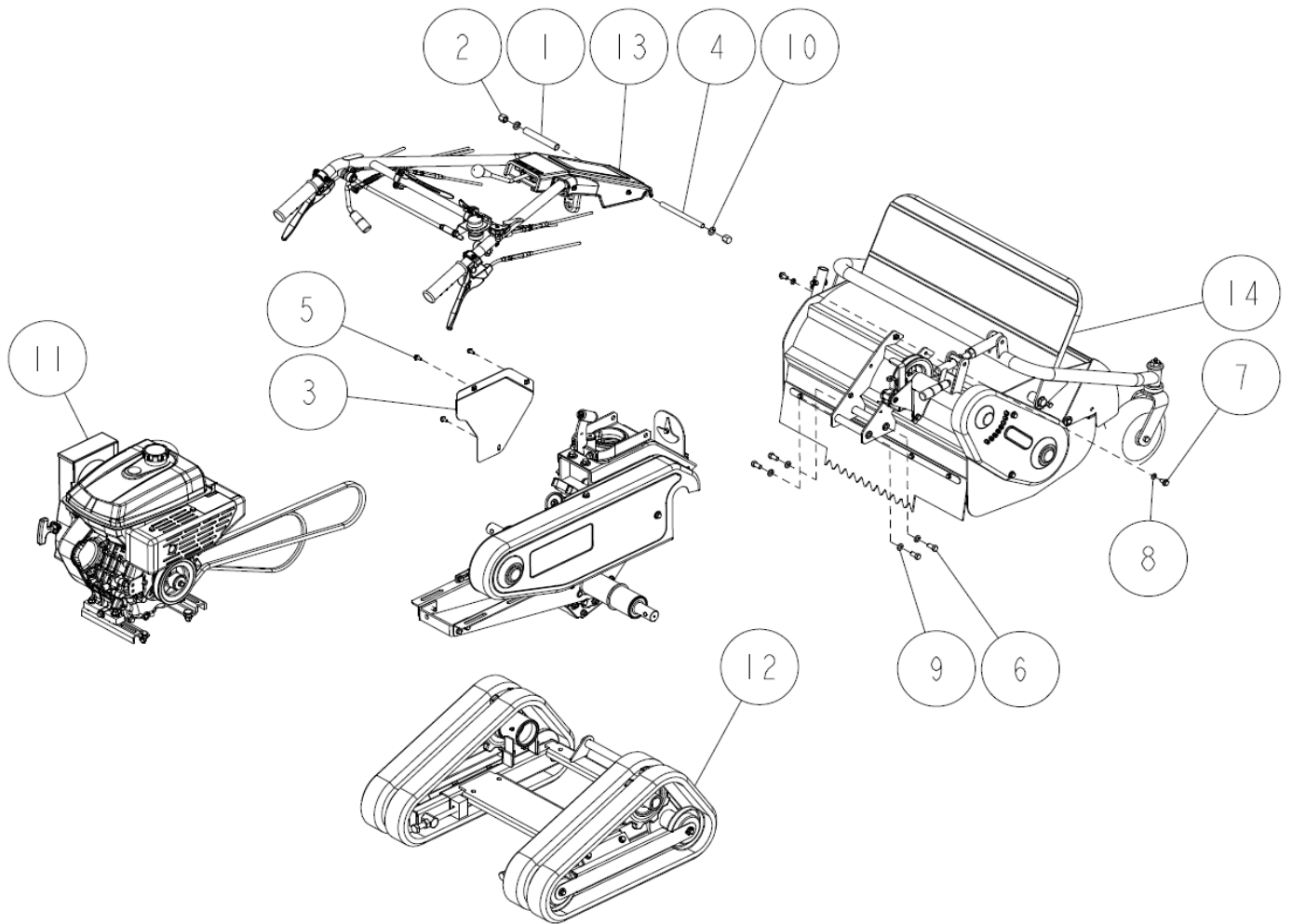
19	83-1614-932-00	Tension Wire	1	1	
18	89-2521-000120	E Type Ring 12	1	1	
17	89-2521-000100	E Type Ring 10	1	1	
16	89-2521-000050	E Type Ring 5	1	1	
15	89-1551-060002	Hexagonal U Nut M6	1	1	
14	89-1233-080162	Mini Hexagonal Bolt (PWSW) M8*16	2	2	
13	89-1158-060102	Screw (PWSW) M6*10	4	4	
12	89-1111-060402	Hexagonal Bolt M6*40	1	1	
11	83-1675-375-00	Thrust Washer 14*23*1.0	1	1	
10	0334-70500	Relay harness	1	1	
9	0334-70200	Lever Grip 10 (Black)	1	1	
8	0334-70100	Change Wire	2	2	
7	0334-11200	Blade Tension Lever	1	1	
6	0334-10401	Change Guide (White)	1	1	
5	0334-10300	Change Lever CMP	1	1	
4	0334-10201	Wire Guide (H) CMP (White)	1	1	
3	0334-70400	Push Switch Assy	1	1	
2	80-1417-255-00	Lever Grip (Red) 10	1	1	
1	80-1310-223-00	Handle Bonnet	1	1	
No.	Parts No.	Parts Name	HRC664 Q'ty	HRC804	Remarks

Handle part 2/2

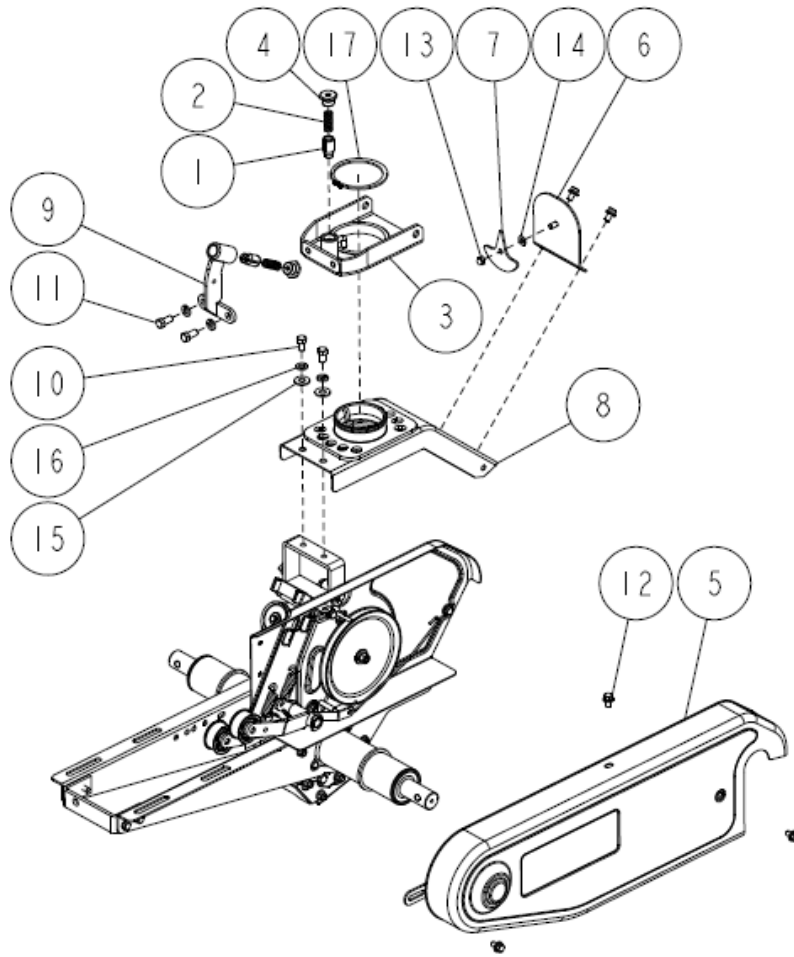


3+4	0226-70300	Throttle Wire Assy	1	1	Assembled product
18	0913-71200	Side Clutch wire	2	2	
17	83-1614-938-00	Brake Wire	1	1	
16	83-1614-932-00	Tension Wire	1	1	
15	89-2521-000100	E Type Ring 10	1	1	
14	89-2521-000050	E Type Ring 5	2	2	
13	89-1711-080002	Flat Washer 8	2	2	
12	89-1553-080002	Bag Hexagonal U Nut M8	1	1	
11	89-1211-080552	Mini Hexagonal Bolt M8*55	1	1	
10	83-1560-414-00	Handle Grip 27	2	2	
9	0334-11101	Drive Tension Lever	1	1	
8	0334-10101	Handle CMP	1	1	
7	0285-72100	Handle Up/Down R/L wire	2	2	
6	0253-77100	Clutch Lever (170-φ27.2)	2	2	
5	0251-72300	Lever Small φ22	2	2	
4	0226-70500	Throttle Wire	1	1	
3	0226-70400	Throttle Lever 27 (Resin)	1	1	
2	0006-70500	Lever Gripe (Black) 10	1	1	
1	80-1614-248-00	Brake Spring	1	1	
No.	Parts No.	Parts Name	HRC664 Q'ty	HRC804	Remarks

Flame Part 1/4

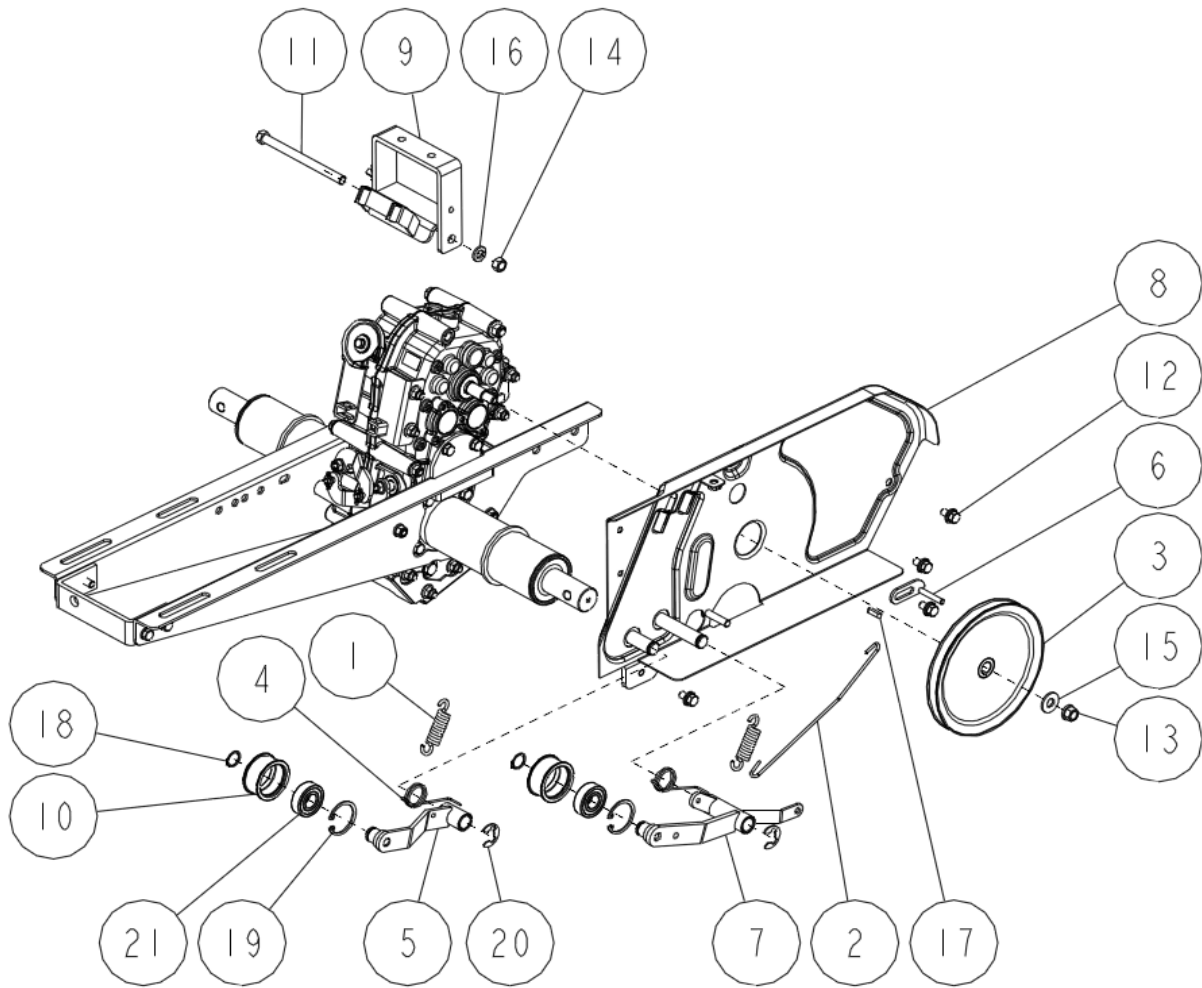


14	-	Cutting part	1	1	
13	-	Handle Part	1	1	
12	-	Crawler Part	1	1	
11	-	Engine Part	1	1	
10	89-1750-120002	Spring Washer 12	2	2	
9	89-1750-100002	Spring Washer 10	4	4	
8	89-1750-080002	Spring Washer 8	2	2	
7	89-1253-080162	Flange Mini Hexagonal Bolt (8T) M8*16	2	2	
6	89-1213-100202	Mini Hexagonal Bolt (8T) M10*20	4	4	
5	89-1137-060152	Hexagonal Bolt (PW) M6*15	3	3	
4	83-1210-133-00	Setting Bolt M12*160	1	1	
3	80-1614-746-12	Side Cover (Red)	1	1	YB
	80-1614-746-16	Side Cover (Blue)	1	1	IA
	80-1614-746-1G	Side Cover (Green)	1	1	OR
2	80-1310-228-00	Handle Fix Nut	2	2	
1	80-1210-222-00	Handle Setting Collar	1	1	
No.	Parts No.	Parts Name	HRC664 Q'ty	HRC804	Remarks

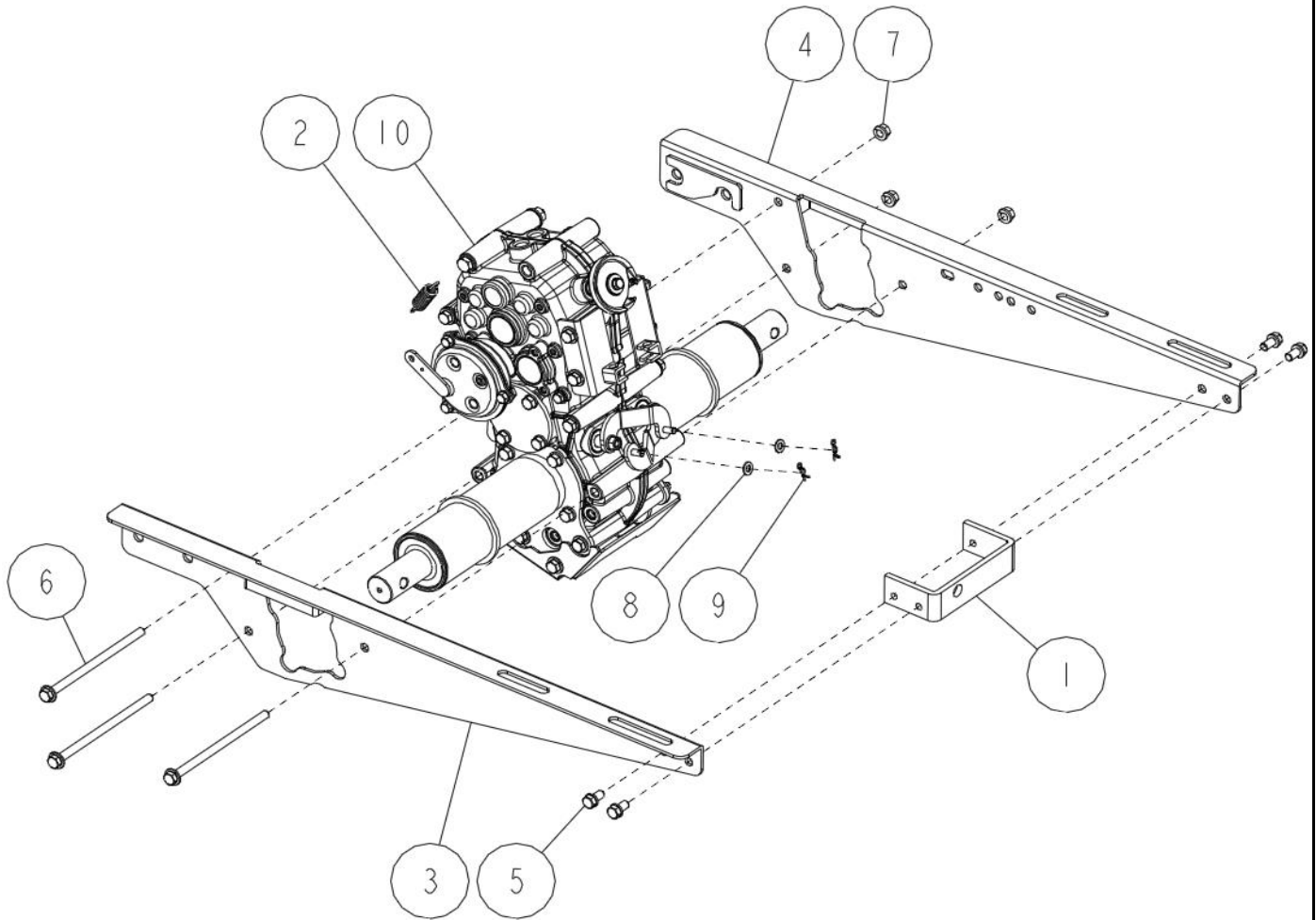


17	89-2511-000850	Snap Ring (S85)	1	1	
16	89-1750-100002	Spring Washer 10	4	4	
15	89-1713-100002	Flat Washer 10 (Large)	2	2	
14	89-1711-080002	Flat Washer 8	1	1	
13	89-1563-080003	Bag Hexagonal U Nut M8(UNI)	1	1	
12	89-1233-080162	Mini Hexagonal Bolt (PWSW) M8*16	5	5	
11	89-1211-100202	Mini Hexagonal Bolt M10*20	2	2	
10	89-1211-100162	Mini Hexagonal Bolt M10*16	2	2	
9	0302-10102	Handle Up/Down Stopper Arm CMP (Red)	1	1	YB
	0302-10106	Handle Up/Down Stopper Arm CMP (Blue)	1	1	IA
	0302-1010G	Handle Up/Down Stopper Arm CMP (Green)	1	1	OR
8	0285-10102	Under Bonnet CMP (Red)	1	1	YB
	0285-10106	Under Bonnet CMP (Blue)	1	1	IA
	0285-1010G	Under Bonnet CMP (Green)	1	1	OR
7	0227-12201	Inclinometer Indicator Pointer (White)	1	1	
6	0282-20102	Clinometer Panel CMP (Red)	1	1	YB
	0282-20106	Clinometer Panel CMP (Blue)	1	1	IA
	0282-2010G	Clinometer Panel CMP (Green)	1	1	OR
5	80-1614-504-21	Belt Cover CMP (White)	1	1	
4	80-1310-215-00	Stopper Cap	2	2	
3	80-1310-203-02	Turntable for Handle (Red)	1	1	YB
	80-1310-203-06	Turntable for Handle (Blue)	1	1	IA
	80-1310-203-0G	Turntable for Handle (Green)	1	1	OR
2	80-1210-217-00	Stopper Spring	2	2	
1	80-1210-216-00	Stopper Pin	2	2	
No.	Parts No.	Parts Name	HRC664 Q'ty	HRC804	Remarks

Flame Part 3/4

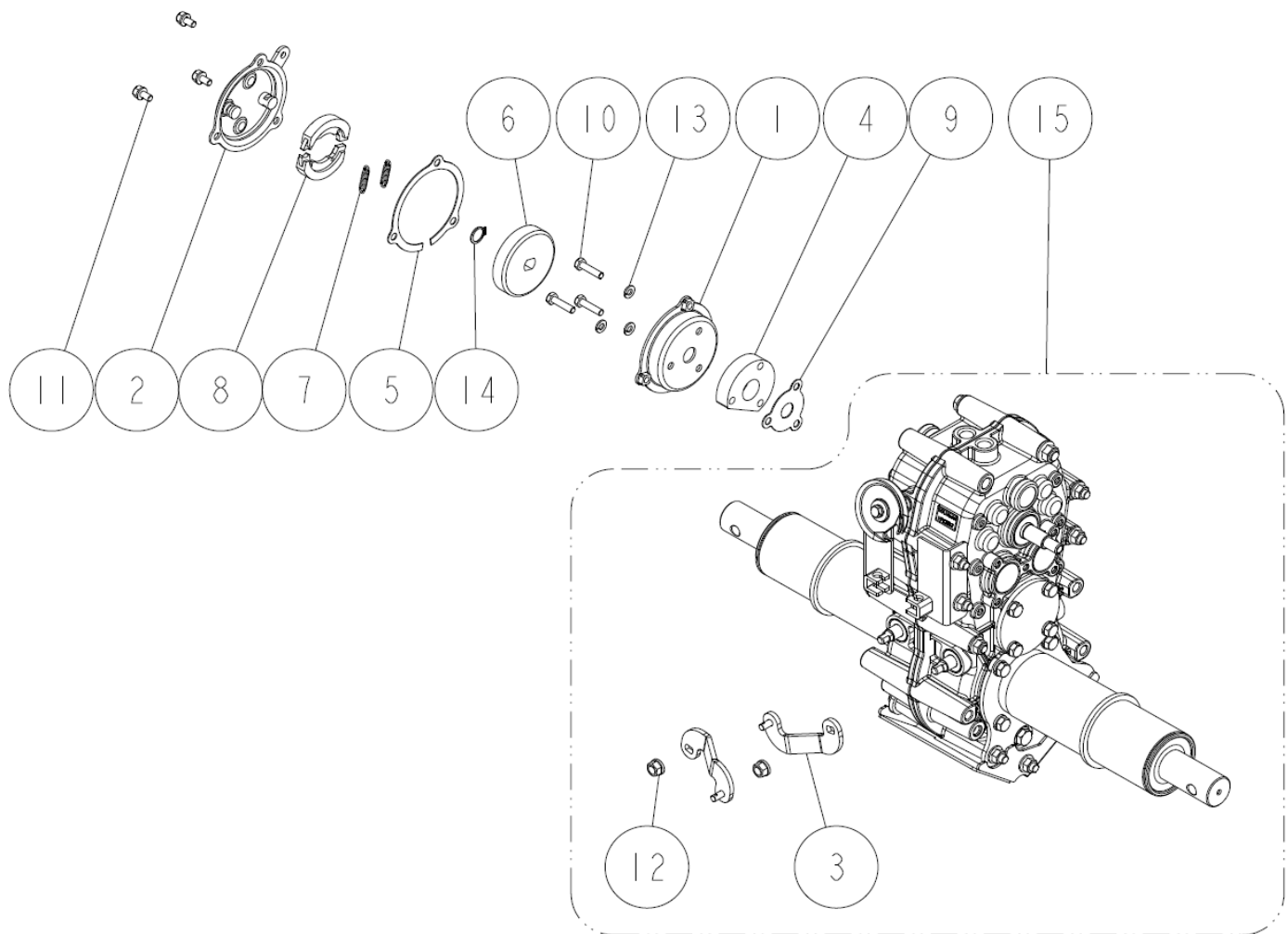


22	83-1032-760-00	Tension Pulley Assy	2	2	Set of 10,19,21
21	89-3115-062034	Bearing 6203 2RS	2	2	
20	89-2521-000150	E Type Ring 15	2	2	
19	89-2512-000400	Snap Ring (R40)	2	2	
18	89-2511-000170	Snap Ring (S17)	2	2	
17	89-2150-050200	Key 5*20 (round)	1	1	
16	89-1750-100002	Spring Washer 10	1	1	
15	89-1713-100002	Flat Washer 10 (Large)	1	1	
14	89-1611-100042	Mini Hexagonal Nut M10	1	1	
13	89-1543-100002	Mini Hexagonal Nut (SW) M10	1	1	
12	89-1233-080162	Mini Hexagonal Bolt (PWSW) M8*16	4	4	
11	89-1213-101302	Mini Hexagonal Bolt (8T) M10*130	1	1	
10	83-1032-765-00	Tension Pulley	2	2	
9	0334-20102	Under Bonnet Setting CMP (Red)	1	1	YB
	0334-20106	Under Bonnet Setting CMP (Blue)	1	1	IA
	0334-2010G	Under Bonnet Setting CMP (Green)	1	1	OR
8	0304-62201	Belt Cover Inside CMP (White)	1	1	
7	0256-40401	Blade Tension Arm CMP (White)	1	1	
6	0225-40601	Belt Holder CMP (White)	1	1	
5	0211-54201	Driving Tension Arm CMP (White)	1	1	
4	80-1614-552-00	Tension Spring	2	2	
3	80-1614-521-01	Transmission Pulley (White)	1	1	
2	80-1614-374-30	Brake Rod	1	1	
1	80-1560-551-00	Return Spring	2	2	
No.	Parts No.	Parts Name	HRC664 Q'ty	HRC804	Remarks



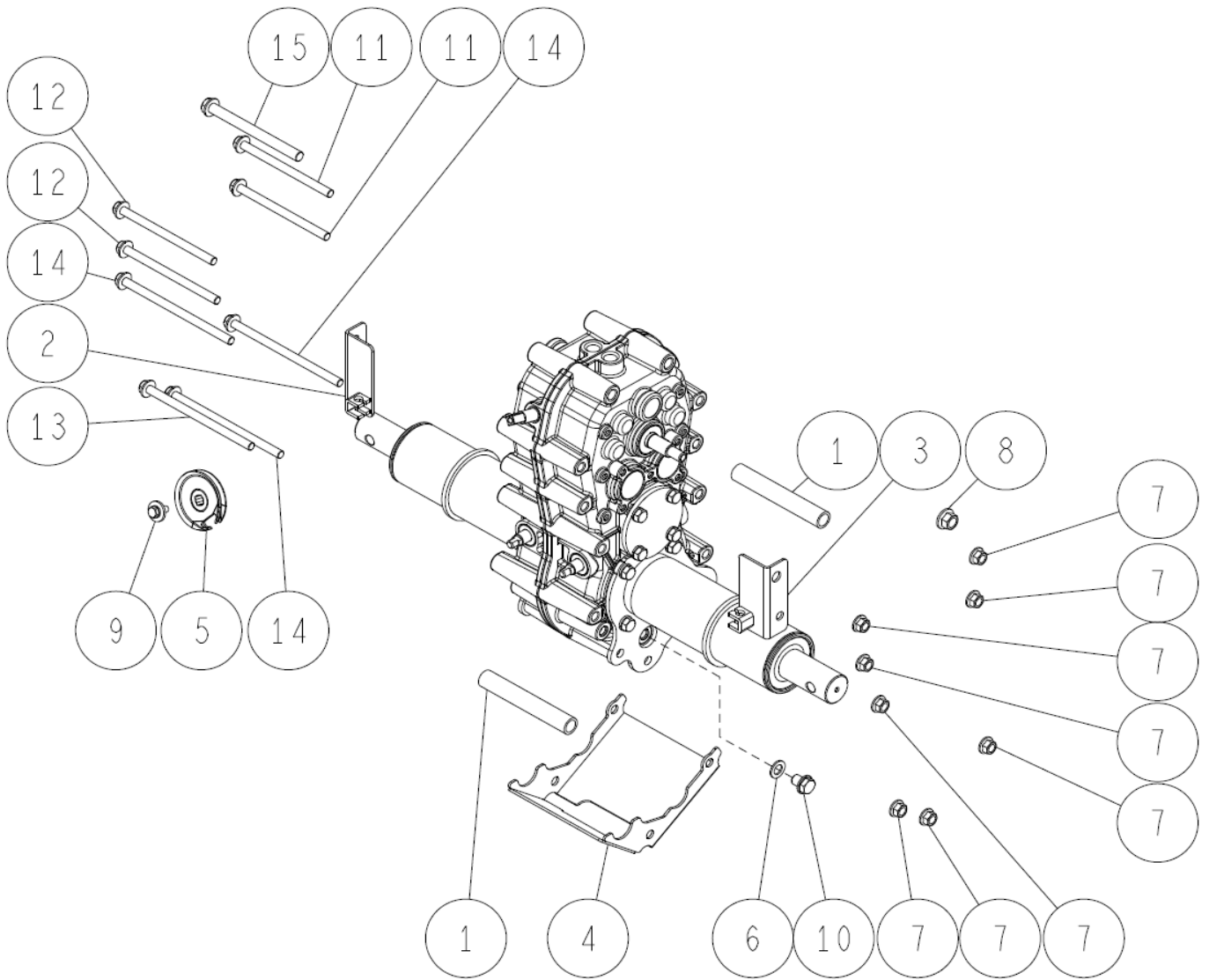
10	-	Mission Part	1	1	
9	89-2132-060002	Snap Pin 6 (with stopper)	2	2	
8	89-1711-060002	Flat Washer 6	2	2	
7	89-1543-080002	Mini Hexagonal Nut (SW) M8	3	3	
6	89-1253-081453	Flange Mini Hexagonal Bolt (8T) M8*145	3	3	
5	89-1232-080162	Mini Hexagonal Bolt (SW) M8*16	4	4	
4	0301-20202	Main Frame (R) CMP (Red)	1	1	YB
	0301-20206	Main Frame (R) CMP (Blue)	1	1	IA
	0301-2020G	Main Frame (R) CMP (Green)	1	1	OR
3	0301-20102	Main Frame (L) CMP (Red)	1	1	YB
	0301-20106	Main Frame (L) CMP (Blue)	1	1	IA
	0301-2010G	Main Frame (L) CMP (Green)	1	1	OR
2	80-1614-315-00	Return Spring	1	1	
1	80-1415-326-02	Rear Bracket (Red)	1	1	YB
	80-1415-326-06	Rear Bracket (Blue)	1	1	IA
	80-1415-326-0G	Rear Bracket (Green)	1	1	OR
No.	Parts No.	Parts Name	HRC664 Q'ty	HRC804	Remarks

Mission Part 1/6

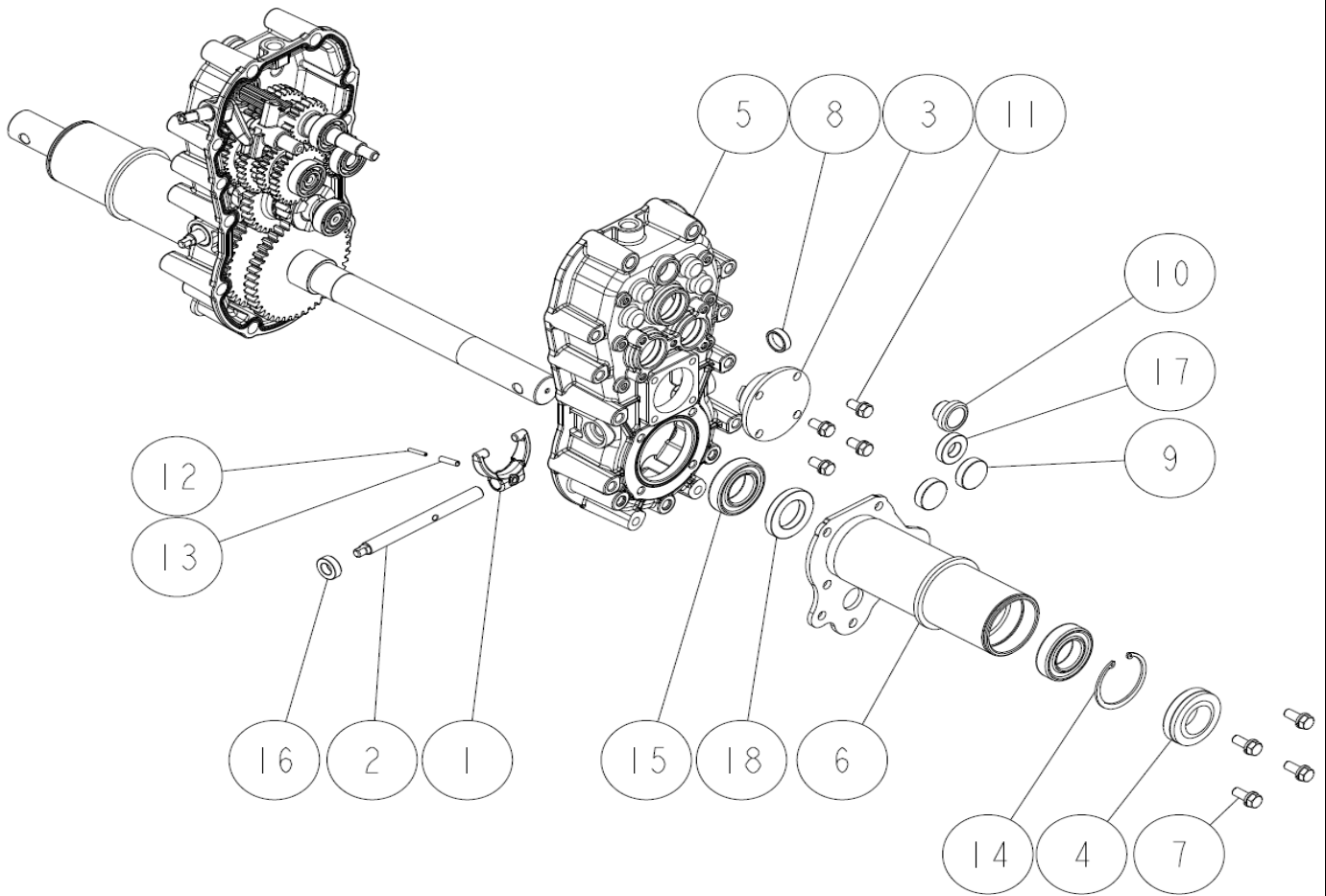


15	0335-01000-00	Mission Assy		1	
	0334-01000-00	Mission ASSY	1		
14	89-2511-000140	Snap Ring (S14)	1	1	
13	89-1750-060002	Spring Washer 6	3	3	
12	89-1543-080002	Mini Hexagonal Nut (SW) M8	2	2	
11	89-1132-060122	Hexagonal Bolt (SW) M6*12	3	3	
10	89-1111-060252	Hexagonal Bolt M6*25	3	3	
9	85-1445-317-00	Brake Packing (Small)	1	1	
8	85-1711-318-00	Brake Shoe Set	1	1	
7	85-1711-317-00	Shoe Return Spring	2	2	
6	85-1711-315-00	Brake Drum	1	1	
5	0211-31800	Brake Packing (Large)	1	1	
4	80-1920-313-01	Brake Cover Spacer (White)	1	1	
3	80-1920-153-0H	Side Clutch Arm (Metallic Grey)	2	2	
2	80-1614-314-00	Brake Cover	1	1	
1	80-1614-312-01	Brake Cover CMP (White)	1	1	
No.	Parts No.	Parts Name	HRC664	HRC804	Remarks
			Q'ty		

Mission Part 2/6

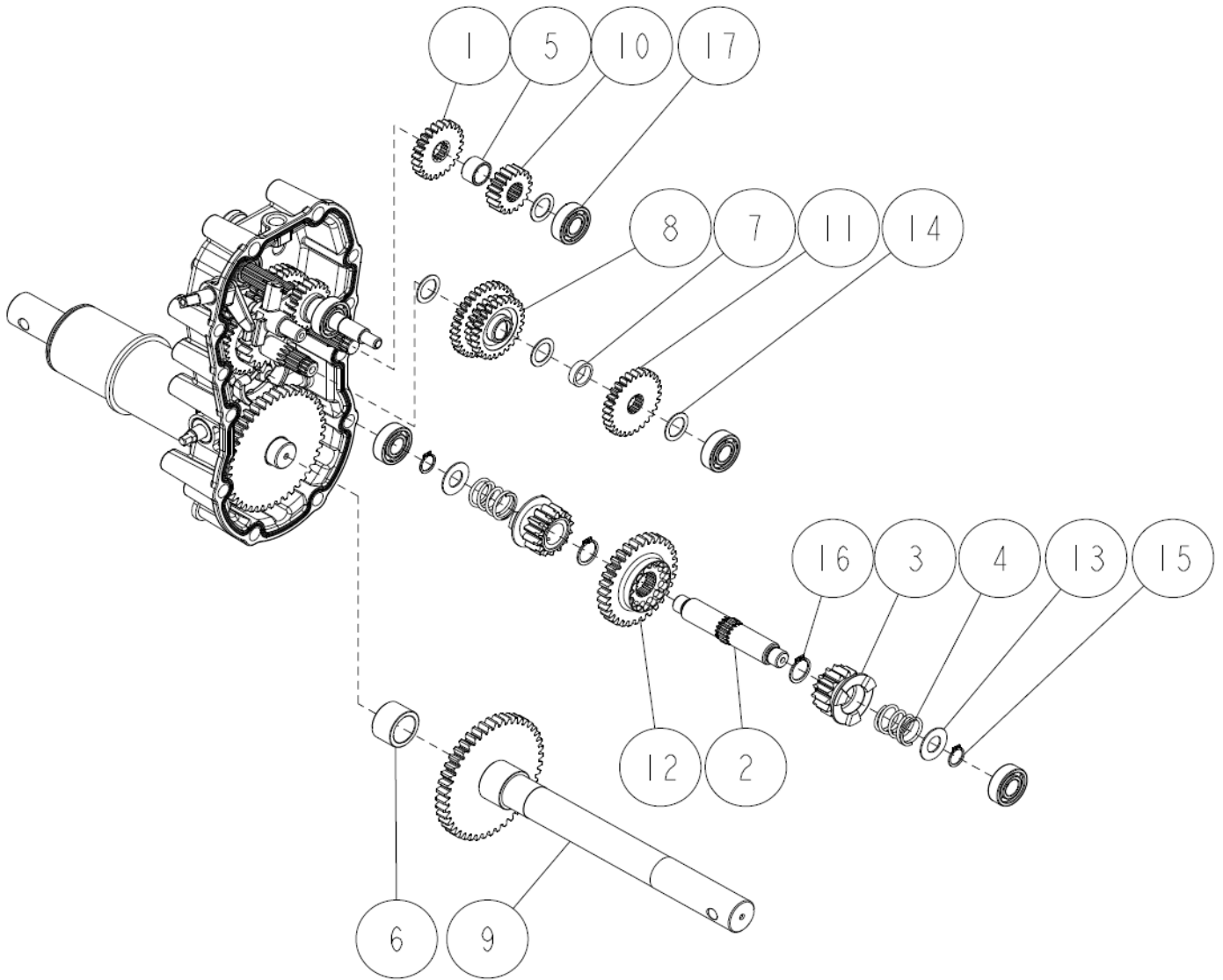


15	89-1254-101153	Flange Mini Hexagonal Bolt M10*115 P=1.25	1	1	
14	89-1253-081403	Flange Mini Hexagonal Bolt (8T) M8*140	3	3	
13	89-1253-081353	Flange Mini Hexagonal Bolt (8T) M8*135	2	2	
12	89-1253-081203	Flange Mini Hexagonal Bolt (8T) M8*120	2	2	
11	89-1253-081153	Flange Mini Hexagonal Bolt (8T) M8*115	2	2	
10	89-1252-100123	Flange Mini Hexagonal Bolt M10*12 (slender)	1	1	
9	83-1565-111-00	Hexagonal Bolt (with Big Washer) M6*16	1	1	
8	83-1493-255-00	Flange Lock Nut M10 (slender)	1	1	
7	83-1484-255-00	Lock Nut ZUF M8	9	9	
6	83-1020-349-00	Copper Packing 10.5*18*1.6	1	1	
5	0334-00301	Wire Guide (M) CMP (White)	1	1	
4	0282-0110H	Transmission Guard CMP (Metallic Grey)	1	1	
3	80-1920-198-01	Side Clutch Wire Receiver (R) (White)	1	1	
2	80-1920-197-01	Side Clutch Wire Receiver (L) (White)	1	1	
1	80-1565-159-0H	Shaft BB Reinforce Pipe (Metallic Grey)	2	2	
No.	Parts No.	Parts Name	HRC664	HRC804	Remarks
			Q'ty		



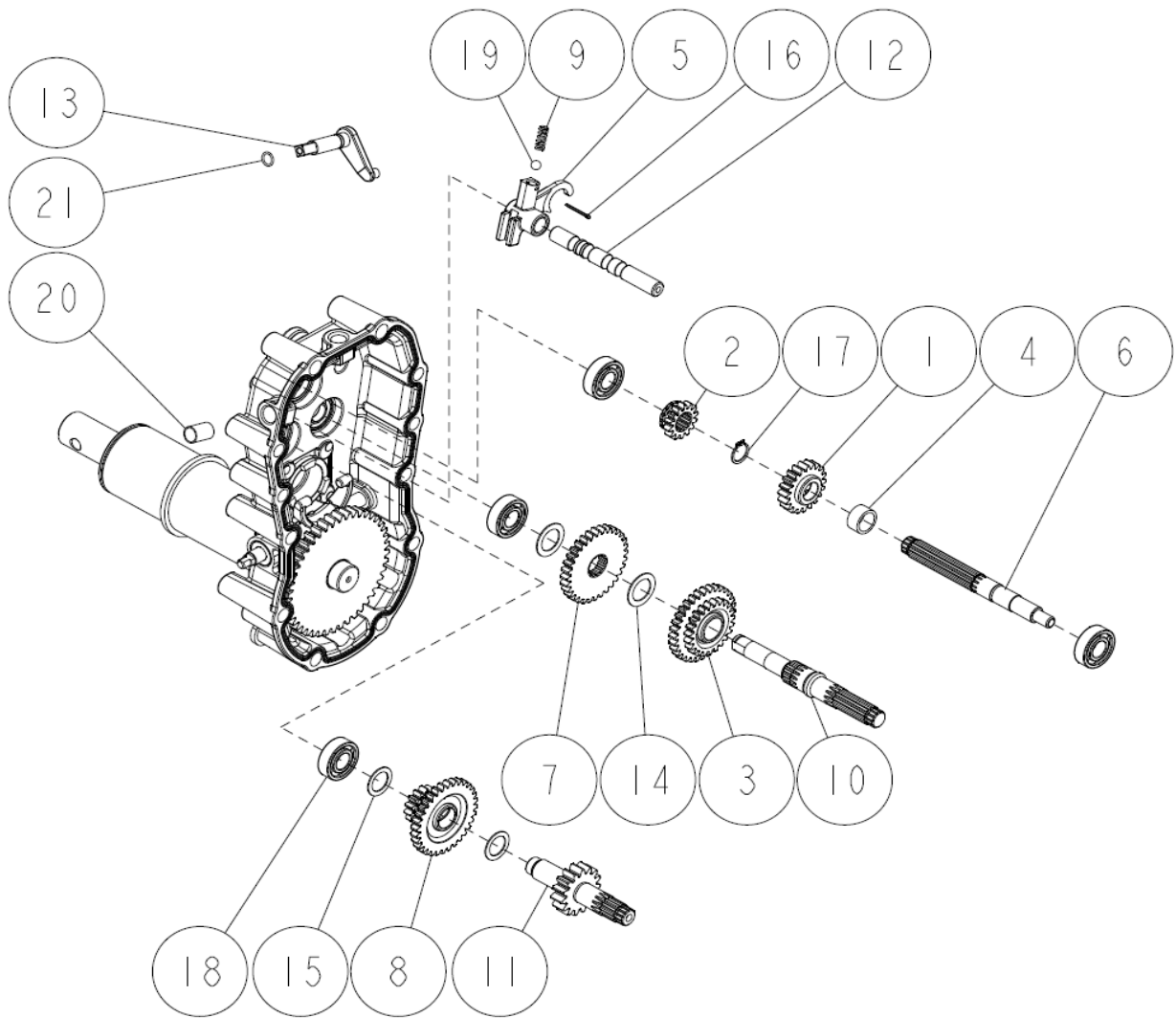
18	89-5121-305007	Oil Seal UE 30.50.7	1	1	
17	89-5121-153007	Oil Seal UE 15.30.7	1	1	
16	89-5121-122207	Oil Seal UE 12.22.7	1	1	
15	89-3115-060064	Bearing 6006 2RS	2	2	
14	89-2512-000550	Snap Ring (R55)	1	1	
13	89-2111-050020	Spring Pin 5*20	1	1	
12	89-2111-030020	Spring Pin 3*20	1	1	
11	89-1232-080162	Mini Hexagonal Bolt (SW) M8*16	4	4	
10	83-1517-685-00	Oil Cap 20	1	1	
9	83-1415-672-00	Blind Cover 30	2	2	
8	83-1415-671-00	Blind Cover 22	1	1	
7	83-1415-127-00	Seal Bolt (SW) M8*20	4	4	
6	0302-0040H	Shaft BB Case (R) CMP (Metallic Grey)		1	~CHBZK01238
	0301-0040H	Shaft BB Case (R) CMP (Metallic Grey)	1		~CGBK01575
	0335-0020H	Shaft BB Case (R) CMP (Metallic Grey)		1	CHBZL01239~
	0935-0140H	Shaft BB Case (R) CMP (Metallic Grey)	1		CGBZL01576~
5	0301-00210	Transmission Case (R)	1	1	
4	0297-08000	Oil Seal AP 30.55.16	1	1	
3	80-1575-152-1H	Side Clutch Shaft BB Case (Metallic Grey)	1	1	
2	80-1425-112-00	Driving Clutch Folk Shaft	1	1	
1	80-1415-114-00	Side Clutch Fork	1	1	
No.	Parts No.	Parts Name	HRC664 Q'ty	HRC804	Remarks

Mission Part 4/6

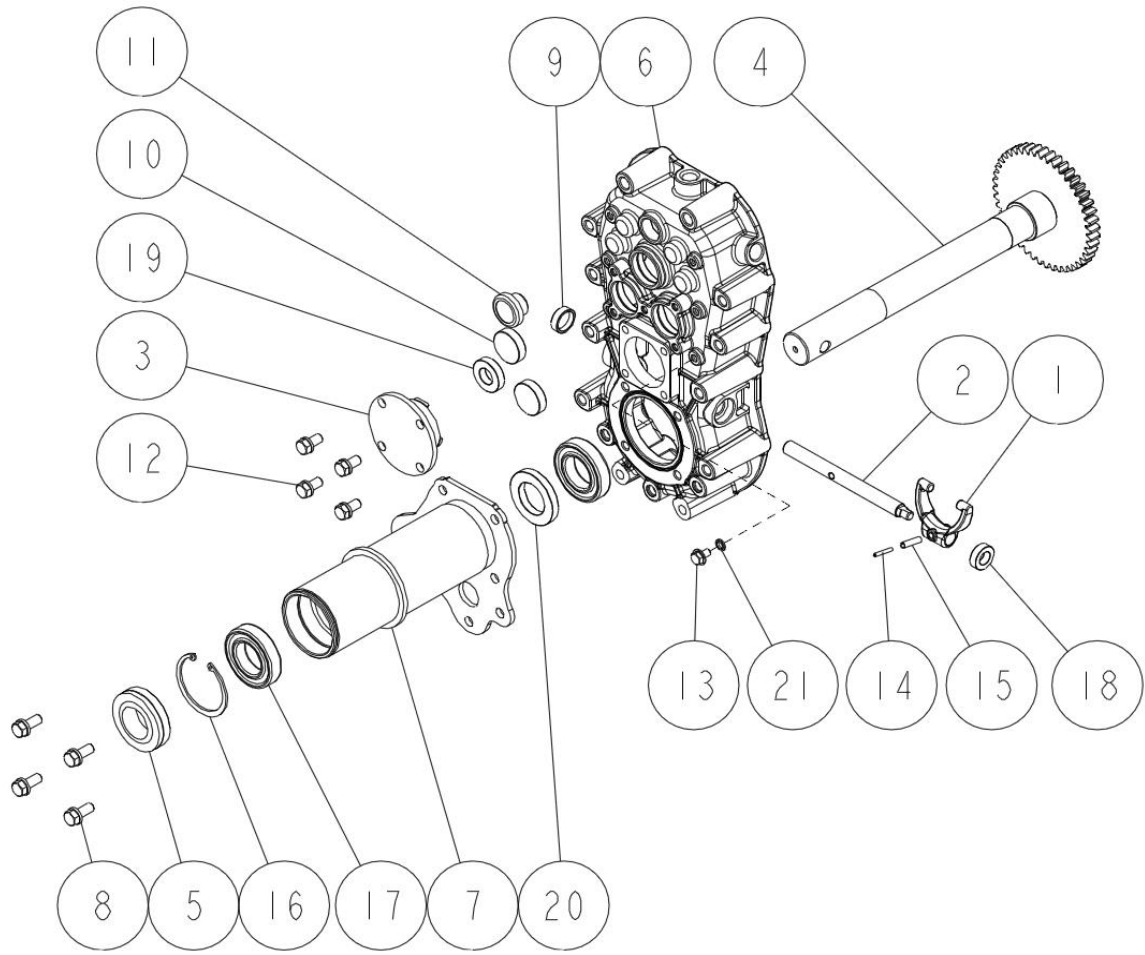


17	89-3111-062024	Bearing 6202	4	4	
16	89-2511-000200	Snap Ring (S20)	2	2	
15	89-2511-000150	Snap Ring (S15)	2	2	
14	83-1830-368-00	Thrust Washer 18*26*1.0	4	4	
13	83-1633-362-10	Thrust Washer 15*30*1.2	2	2	
12	0334-00100	Side Clutch Gear 32T	1	1	
11	0282-00600	3rd Shaft Gear 28T	1	1	
10	0282-00500	2nd Shaft Gear 18T	1	1	
9	0283-00110	Axle CMP		1	
	0282-00110	Axle CMP	1		
8	0251-01610	3rd Shaft Gear 22T	1	1	
7	0223-02500	Collar 6L	1	1	
6	80-1920-147-00	Axle Collar	1	1	
5	80-1920-130-00	Collar A	1	1	
4	80-1575-162-00	Side Clutch Spring	2	2	
3	80-1575-141-00	Side Clutch Gear 14T	2	2	
2	80-1575-140-00	Side Clutch Shaft	1	1	
1	80-1575-129-10	2nd Shaft Gear 24T	1	1	
No.	Parts No.	Parts Name	HRC664 Q'ty	HRC804	Remarks

Mission Part 5/6

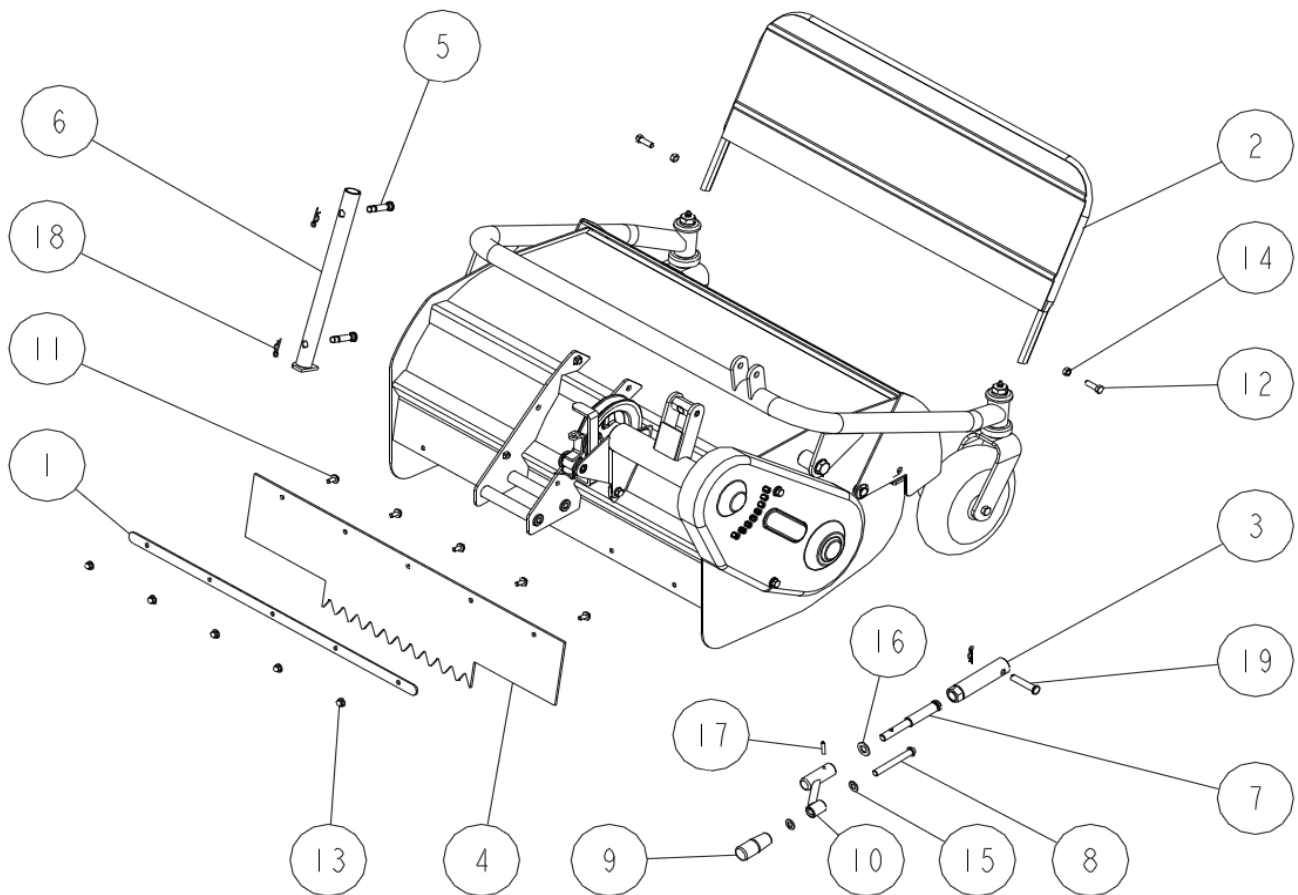


21	89-5221-009000	O Ring P9	1	1	
20	89-3510-012200	DU Bush 12.20	1	1	
19	89-3410-075000	Steel Ball 7.5	1	1	
18	89-3111-062024	Bearing 6202	4	4	
17	89-2511-000160	Snap Ring (S16)	1	1	
16	89-2120-200202	Split Pin 2*20	1	1	
15	83-1830-368-00	Thrust Washer 18*26*1.0	2	2	
14	83-1310-371-00	Thrust Washer 20*30*1.0	2	2	
13	0334-00500	Swing Arm	1	1	
12	0334-00400	Shift Fork Shaft	1	1	
11	0334-00200	3rd Shaft	1	1	
10	0301-00500	2nd Shaft	1	1	
9	0282-00400	Spring	1	1	
8	0251-02100	3rd Shaft Gear 14T CMP	1	1	
7	0251-01300	2nd Shaft Gear 32T	1	1	
6	0251-01100	Trasmission 1st Shaft	1	1	
5	0251-00300	Shift Folk	1	1	
4	0223-02400	Collar 11L	1	1	
3	0223-01200	Back Gear CMP	1	1	
2	0223-00700	1st Shaft Shift Gear 14T	1	1	
1	0223-00600	1st Shaft Gear 20T	1	1	
No.	Parts No.	Parts Name	HRC664	HRC804	Remarks
			Q'ty		



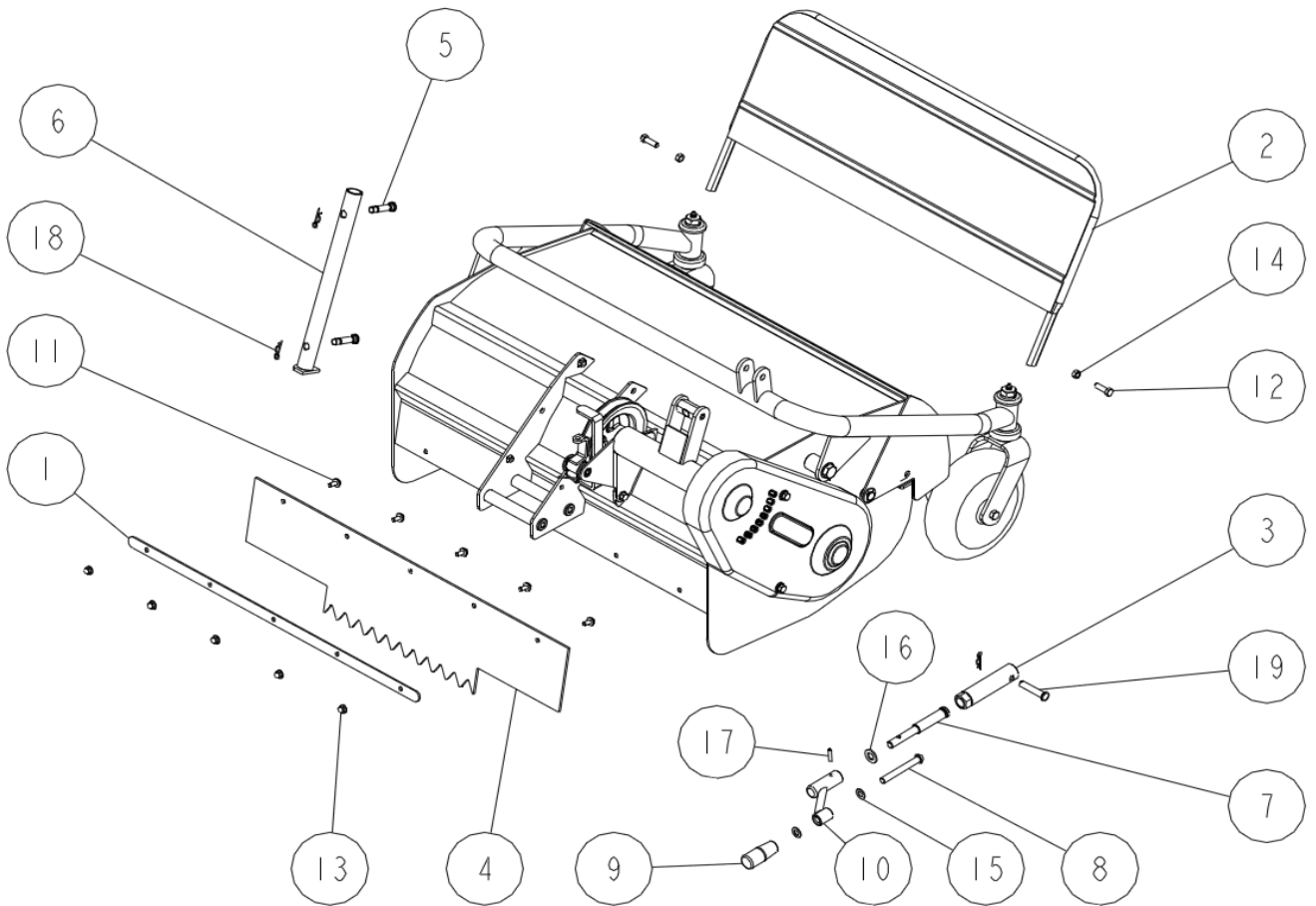
21	89-5230-060000	Seal Washer 6	1	1	
20	89-5121-305007	Oil Seal UE 30.50.7	1	1	
19	89-5121-153007	Oil Seal UE 15.30.7	1	1	
18	89-5121-122207	Oil Seal UE 12.22.7	1	1	
17	89-3115-060064	Bearing 6006 2RS	2	2	
16	89-2512-000550	Snap Ring (R55)	1	1	
15	89-2111-050020	Spring Pin 5*20	1	1	
14	89-2111-030020	Spring Pin 3*20	1	1	
13	89-1251-060102	Flange Hexagonal Bolt M6*10	1	1	
12	89-1232-080162	Mini Hexagonal Bolt (SW) M8*16	4	4	
11	83-1517-685-00	Oil Cap 20	1	1	
10	83-1415-672-00	Blind Cover 30	2	2	
9	83-1415-671-00	Blind Cover 22	1	1	
8	83-1415-127-00	Seal Bolt (SW) M8*20	4	4	
7	0302-0030H	Shaft BB Case (L) CMP (Metallic Grey)		1	~CHBZK01238
	0301-0030H	Shaft BB Case (L) CMP (Metallic Grey)	1		~CGBK01575
	0335-0010H	Shaft BB Case (L) CMP (Metallic Grey)		1	CHBZL01239~
	0935-0130H	Shaft BB Case (L) CMP (Metallic Grey)	1		CGBZL01576~
6	0301-00110	Transmission Case (L)	1	1	
5	0297-08000	Oil Seal AP 30.55.16	1	1	
4	0283-00110	Axle CMP		1	
	0282-00110	Axle CMP	1		
3	80-1575-152-1H	Side Clutch Shaft BB Case (Metallic Grey)	1	1	
2	80-1425-112-00	Driving Clutch Folk Shaft	1	1	
1	80-1415-114-00	Side Clutch Fork	1	1	
No.	Parts No.	Parts Name	HRC664 Q'ty	HRC804	Remarks

Rotary Part 1/7 HRC664



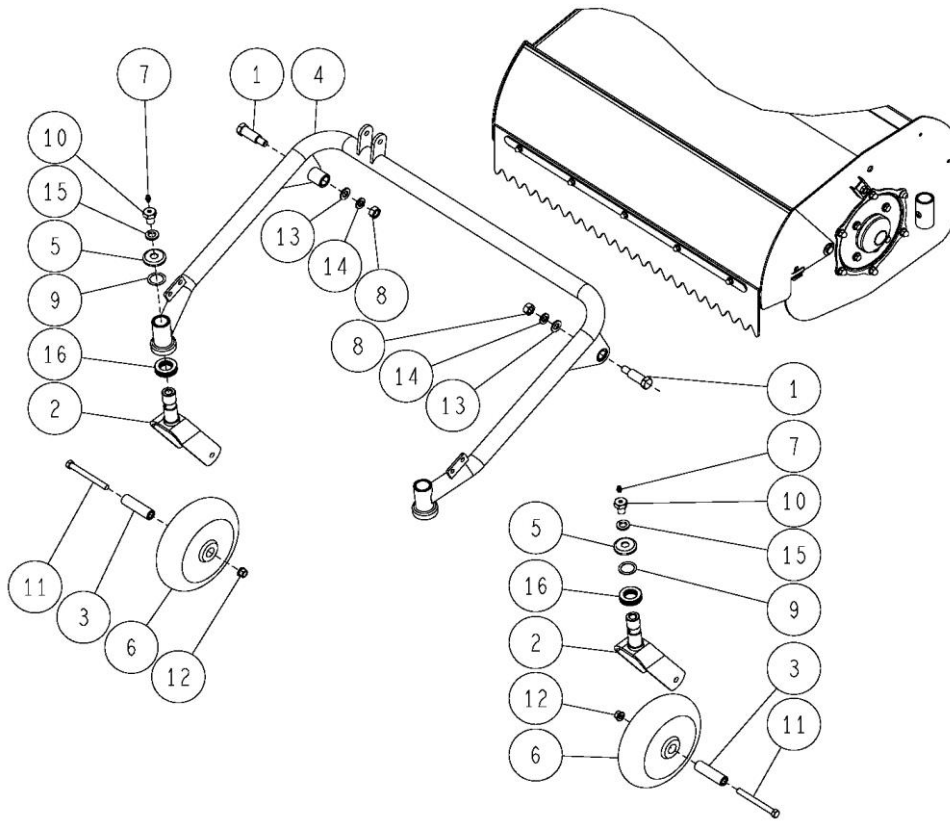
19	89-2181-100502	Flat Head Pin 10*50	1		
18	89-2131-100002	Snap Pin 10	3		
17	89-2111-050022	Spring Pin 5*22	1		
16	89-1714-120002	Flat Washer 12	1		
15	89-1711-100002	Flat Washer 10*18*1.6	2		
14	89-1611-080042	Mini Hexagonal Nut M8	2		
13	89-1581-060042	Flange Cap Nut M6	5		
12	89-1211-080252	Mini Hexagonal Bolt M8*25	2		
11	89-1137-060152	Hexagonal Bolt (PW) M6*15	5		
10	84-1723-739-00	Cutting Height Adjusting Handle	1		
9	0006-70500	Lever Gripe (Black) 10	1		
8	0285-77000	Round Head Pin 10*80	1		
7	0285-62400	Height Adjusting Bolt CMP	1		
6	0282-60202	Cutting blade stand(Red)	1		YB
	0282-60206	Cutting blade stand(Blue)	1		IA
	0282-6020G	Cutting blade stand(Green)	1		OR
5	0282-31310	Axle Pin 10*50	2		
4	80-1614-782-10	Rear Flapper	1		
3	80-1614-742-12	Cutting height bolt receiver (Red)	1		YB
	80-1614-742-16	Cutting height bolt receiver (Blue)	1		IA
	80-1614-742-1G	Cutting height bolt receiver (Green)	1		OR
2	80-1613-733-11	#N/A	1		YB
	80-1613-733-16	Safety Cover (Blue)	1		IA
	80-1613-733-1G	Safety Cover (Green)	1		OR
1	80-1610-787-01	Flapper Holder (White)	1		OR-IA
	80-1610-787-02	Flapper Holder (Red)	1		YB
No.	Parts No.	Parts Name	HRC664 Q'ty	HRC804	Remarks

Rotary Part 2/7 HRC804



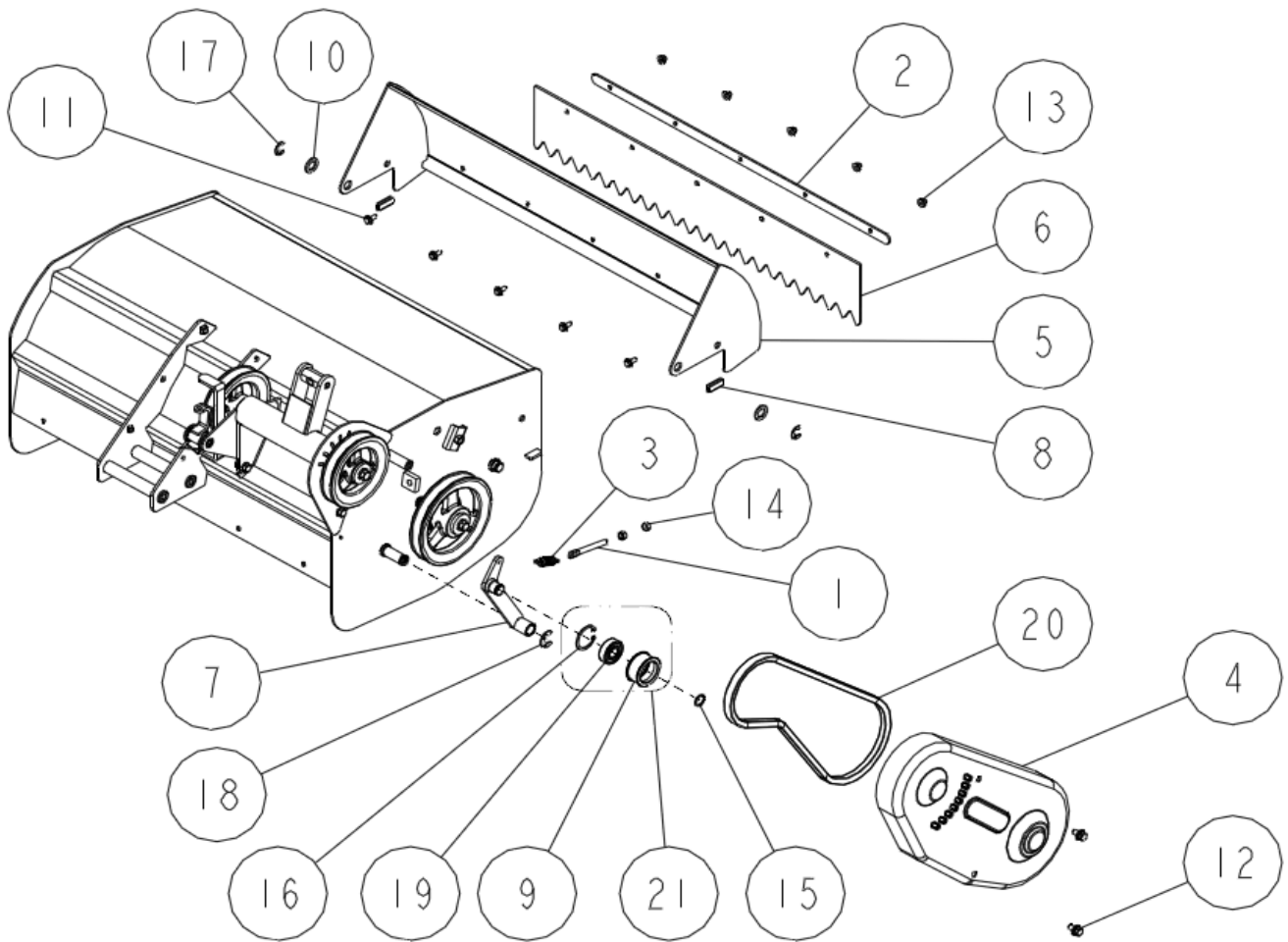
19	89-2181-100502	Flat Head Pin 10*50		1	
18	89-2131-100002	Snap Pin 10		3	
17	89-2111-050022	Spring Pin 5*22		1	
16	89-1714-120002	Flat Washer 12		1	
15	89-1711-100002	Flat Washer 10*18*1.6		2	
14	89-1611-080042	Mini Hexagonal Nut M8		2	
13	89-1581-060042	Flange Cap Nut M6		6	
12	89-1211-080252	Mini Hexagonal Bolt M8*25		2	
11	89-1137-060152	Hexagonal Bolt (PW) M6*15		6	
10	84-1723-739-00	Cutting Height Adjusting Handle		1	
9	0006-70500	Lever Gripe (Black) 10		1	
8	0285-77000	Round Head Pin 10*80		1	
7	0285-62400	Height Adjusting Bolt CMP		1	
6	0282-60202	Cutting blade stand(Red)		1	YB
	0282-60206	Cutting blade stand(Blue)		1	IA
	0282-6020G	Cutting blade stand(Green)		1	OR
5	0282-31310	Axle Pin 10*50		2	
4	0204-60500	Rear Flapper		1	
3	80-1614-742-12	Cutting height bolt receiver (Red)		1	YB
	80-1614-742-16	Cutting height bolt receiver (Blue)		1	IA
	80-1614-742-1G	Cutting height bolt receiver (Green)		1	OR
2	0204-60701	Safety Cover (White)		1	YB
	0204-60706	Safety Cover (Blue)		1	IA
	0204-6070G	Safety Cover (Green)		1	OR
1	0204-60601	Flapper Holder (White)		1	OR-IA
	0204-60602	Flapper Holder (Red)		1	YB
No.	Parts No.	Parts Name	HRC664 Q'ty	HRC804	Remarks

Rotary Part 3/7



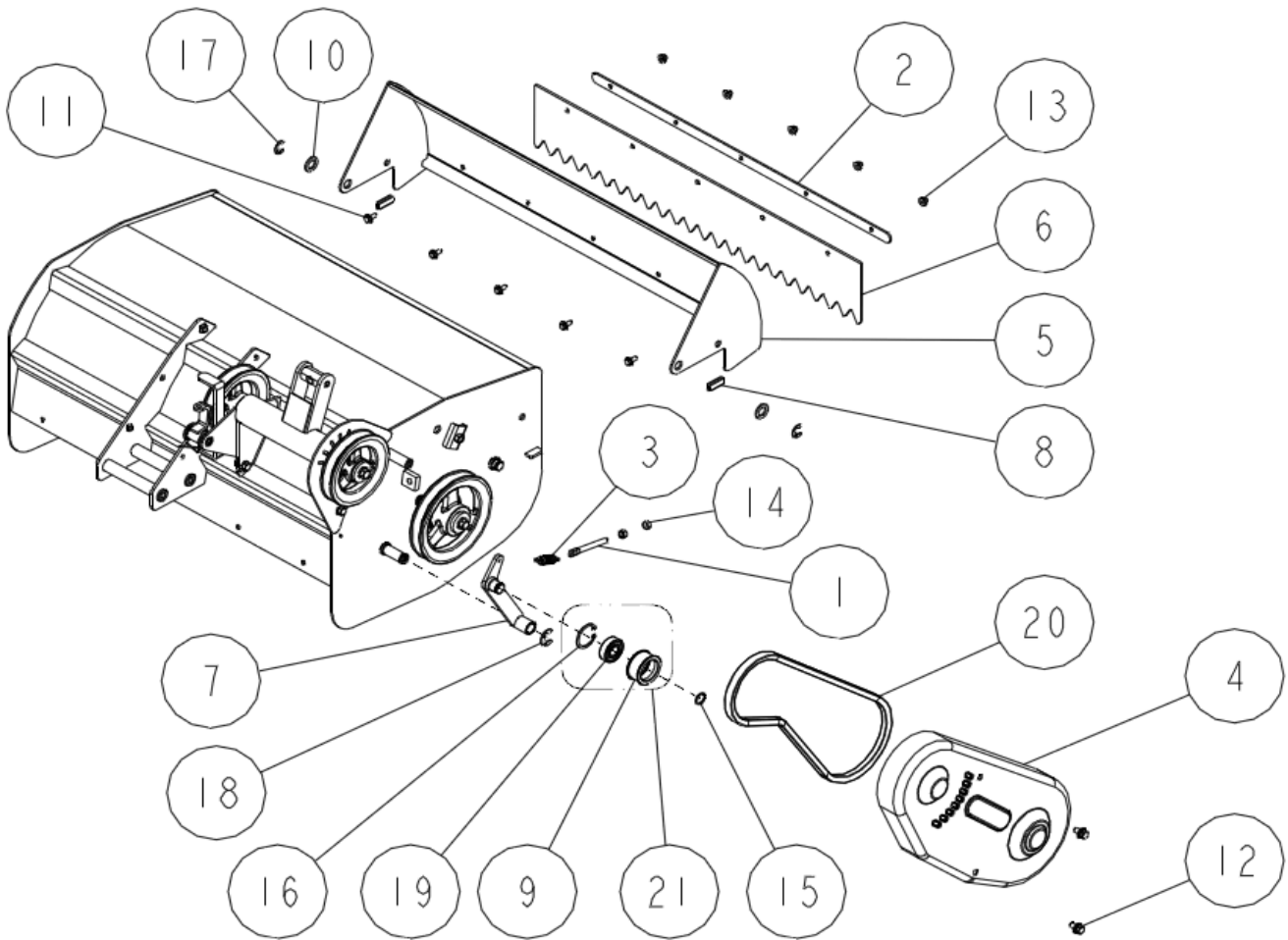
17	0204-60202	Front Arm(Red)		1	YB ~CHAHK00900
	0204-60206	Front Arm(Blue)		1	IA ~CHAHK00900
	0204-6020G	Front Arm(Green)		1	OR ~CHAHK00900
	80-1614-723-22	Front Arm CMP (Red)	1		YB ~CGAHK01288
	80-1614-723-26	Front Arm CMP (Blue)	1		IA ~CGAHK01288
	80-1614-723-2G	Front Arm CMP (Green)	1		OR ~CGAHK01288
16	89-3370-051105	Thrust Bearing 51105	2	2	
15	89-1750-140002	Spring Washer 14	2	2	
14	89-1750-120002	Spring Washer 12	2	2	
13	89-1714-120002	Flat Washer 12	2	2	
12	89-1543-100002	Mini Hexagonal Nut (SW) M10	2	2	
11	89-1211-100952	Mini Hexagonal Bolt M10*95	2	2	
10	84-1783-791-00	Grease Nipple Bolt M14	2	2	
9	83-1783-376-00	Thrust Washer 25*34*1.0	2	2	
8	83-1610-192-00	Hexagonal Nut (slender) M12 P=1.25	2	2	
7	83-1415-975-00	Grease Nipple M6	2	2	
6	0285-73100	Front Wheel	2	2	
5	0256-60700	Dust Cover	2	2	
4	0204-61102	Front Arm(Red)		1	YB CHAHL00901~
	0204-61106	Front Arm(Blue)		1	IA CHAHL00901~
	0204-6110G	Front Arm(Green)		1	OR CHAHL00901~
	0211-60402	Front Arm(Red)	1		YB CGAHL01289~
	0211-60406	Front Arm(Blue)	1		IA CGAHL01289~
	0211-6040G	Front Arm CMP (Green)	1		OR CGAHL01289~
3	80-1614-726-00	Front Wheel Collar	2	2	
2	80-1614-725-22	Front Wheel Fork (Red)	2	2	YB
	80-1614-725-26	Front Wheel Fork (Blue)	2	2	IA
	80-1614-725-2G	Front Wheel Fork (Green)	2	2	OR
1	80-1610-714-00	Front Arm Setting Shaft	2	2	
No.	Parts No.	Parts Name	HRC664	HRC804	Remarks
			Q'ty		

Rotary Part 4/7 HRC664



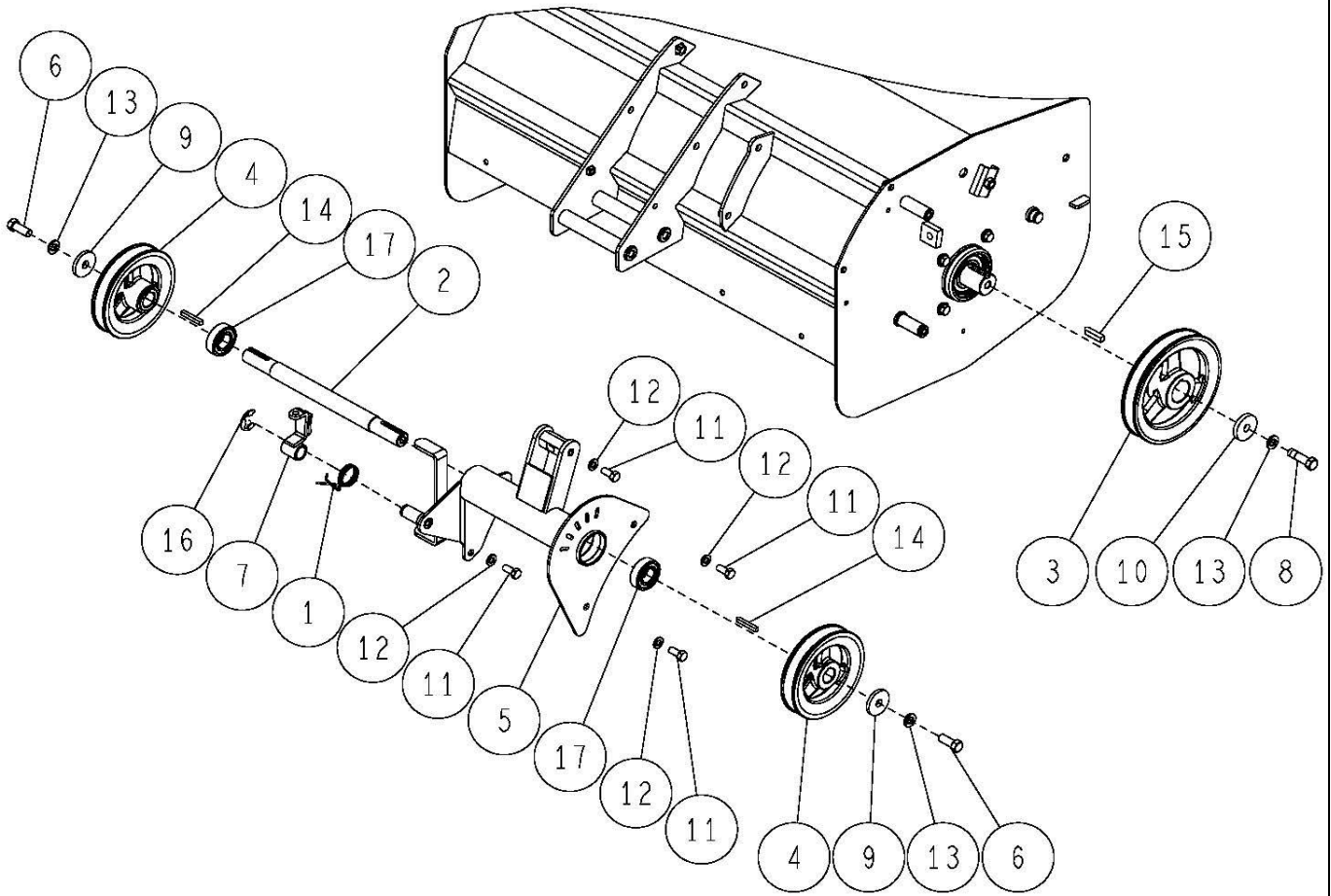
21	83-1032-760-00	Tension Pulley Assy	1		Set of 9,16,19
20	89-6123-003900	V Belt LB-39	1		
19	89-3115-062034	Bearing 6203 2RS	1		
18	89-2521-000150	E Type Ring 15	1		
17	89-2521-000120	E Type Ring 12	2		
16	89-2512-000400	Snap Ring (R40)	1		
15	89-2511-000170	Snap Ring (S17)	1		
14	89-1611-080042	Mini Hexagonal Nut M8	2		
13	89-1581-060042	Flange Cap Nut M6	5		
12	89-1233-080162	Mini Hexagonal Bolt (PWSW) M8*16	2		
11	89-1137-060152	Hexagonal Bolt (PW) M6*15	5		
10	83-1630-342-00	Washer 16*26*2.3	2		
9	83-1032-765-00	Tension Pulley	1		
8	0285-66100	Rubber L30	2		
7	0211-63200	Front Tension Arm CMP	1		
6	80-1614-781-10	Front Flapper	1		
5	80-1614-764-01	Front Cover CMP (White)	1		OR-IA
	80-1614-764-02	Front Cover CMP (Red)	1		YB
4	80-1614-694-11	Blade Belt Cover (White)	1		
3	80-1614-315-00	Return Spring	1		
2	80-1610-787-01	Flapper Holder (White)	1		OR-IA
	80-1610-787-02	Flapper Holder (Red)	1		YB
1	80-1182-527-00	Tension Pulling Bolt	1		
No.	Parts No.	Parts Name	HRC664 Q'ty	HRC804	Remarks

Rotary Part 5/7 HRC804

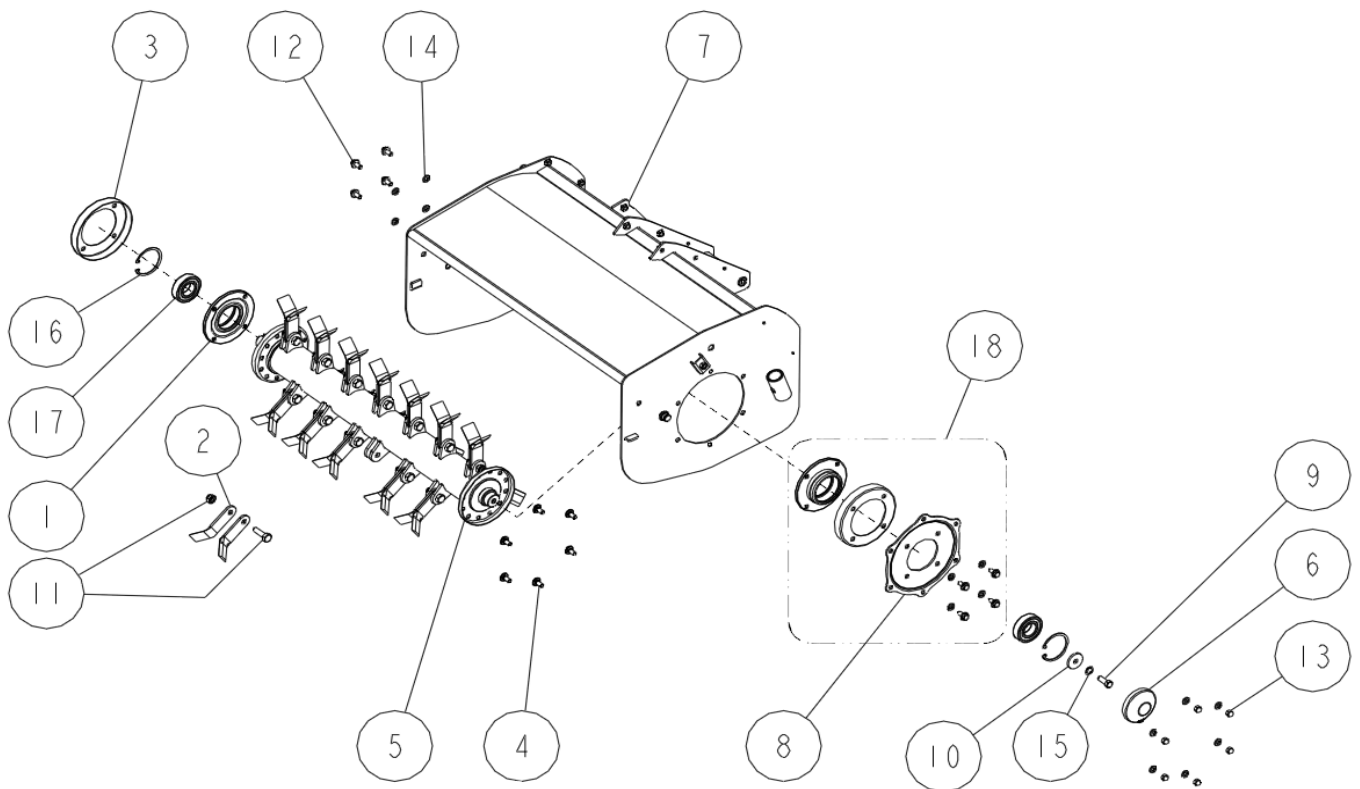


21	83-1032-760-00	Tension Pulley Assy		1	Set of 9,16,19
20	89-6123-003902	V Belt SB-39 (W800)		1	
19	89-3115-062034	Bearing 6203 2RS		1	
18	89-2521-000150	E Type Ring 15		1	
17	89-2521-000120	E Type Ring 12		2	
16	89-2512-000400	Snap Ring (R40)		1	
15	89-2511-000170	Snap Ring (S17)		1	
14	89-1611-080042	Mini Hexagonal Nut M8		2	
13	89-1581-060042	Flange Cap Nut M6		6	
12	89-1233-080162	Mini Hexagonal Bolt (PWSW) M8*16		2	
11	89-1137-060152	Hexagonal Bolt (PW) M6*15		6	
10	83-1630-342-00	Washer 16*26*2.3		2	
9	83-1032-765-00	Tension Pulley		1	
8	0285-66100	Rubber L30		2	
7	0211-63200	Front Tension Arm CMP		1	
6	0204-60400	Front Flapper		1	
5	0204-60301	Front Cover CMP (White)		1	OR-IA
	0204-60302	Front Cover CMP (Red)		1	YB
4	80-1614-694-11	Blade Belt Cover (White)		1	
3	80-1614-315-00	Return Spring		1	
2	0204-60601	Flapper Holder (White)		1	OR-IA
	0204-60602	Flapper Holder (Red)		1	YB
1	80-1182-527-00	Tension Pulling Bolt		1	
No.	Parts No.	Parts Name	HRC664	HRC804	Remarks
			Q'ty		

Rotary Part 6/7

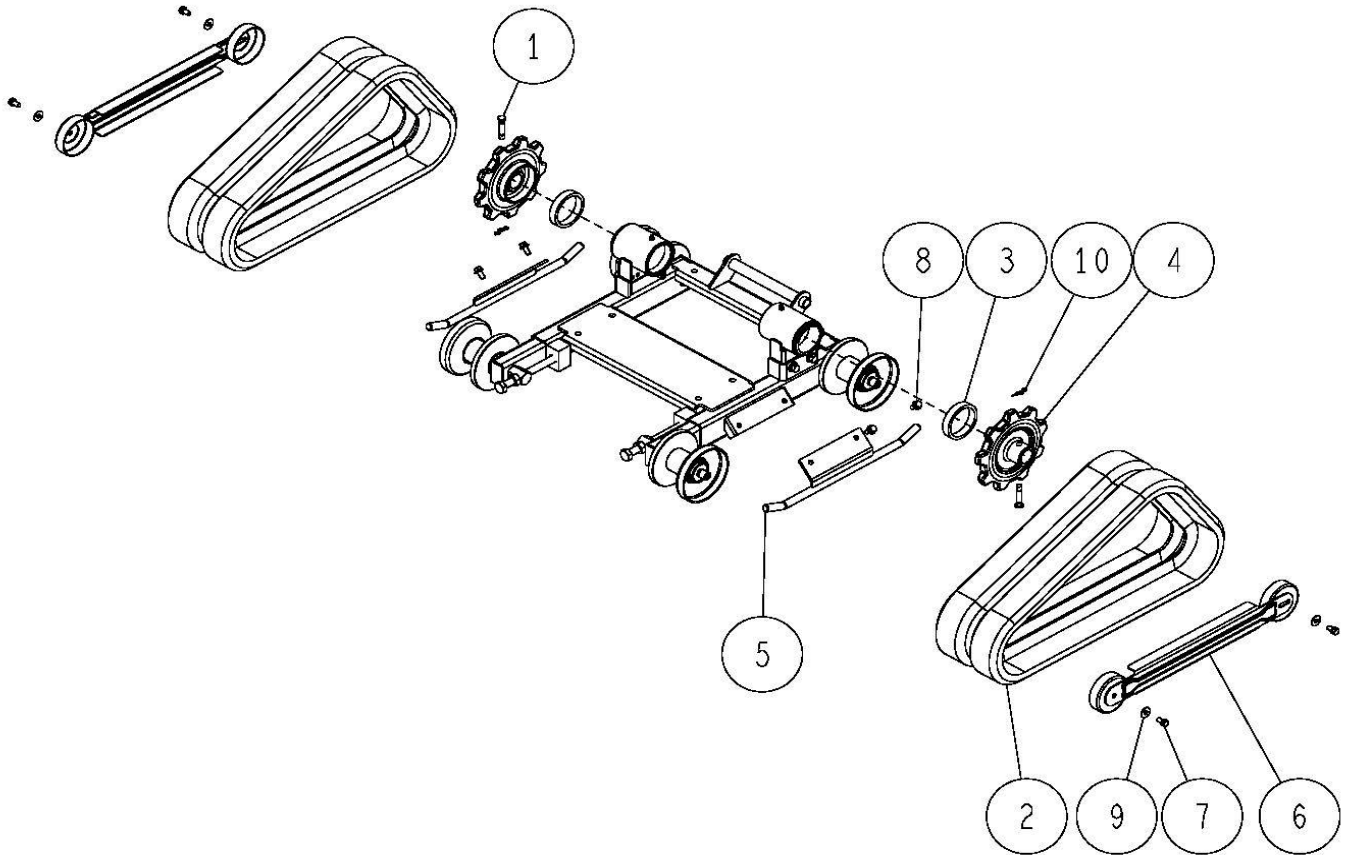


17	89-3115-060044	Bearing 6004 2RS	2	2	
16	89-2521-000150	E Type Ring 15	1	1	
15	89-2151-070300	Key 7*30 (half round)	1	1	
14	89-2151-050350	Key 5*35 (half round)	2	2	
13	89-1750-100002	Spring Washer 10	3	3	
12	89-1750-080002	Spring Washer 8	4	4	
11	89-1213-080182	Mini Hexagonal Bolt (8T) M8*18	4	4	
10	83-1610-322-00	Washer 10*36*6	1	1	
9	83-1610-321-00	Washer 10*36*4.5	2	2	
8	83-1610-125-00	Hexagonal Bolt (8T) M10*35	1	1	
7	0231-37101	Knife Brake (White)	1	1	
6	0212-72100	Hexagonal Bolt(8T) M10*25(Meck)	2	2	
5	0204-40202	Supporter Pipe CMP (Red)		1	YB
	0204-40206	Supporter Pipe CMP (Blue)		1	IA
	0204-4020G	Supporter Pipe CMP (Green)		1	OR
	80-1614-691-32	Supporter Pipe CMP (Red)	1		YB
	80-1614-691-36	Supporter Pipe CMP (Blue)	1		IA
	80-1614-691-3G	Supporter Pipe CMP (Green)	1		OR
4	80-1614-636-00	Supporter Pulley	2	2	
3	80-1614-634-21	Blade Pulley (White)	1	1	
2	0204-40110	Supporter Shaft		1	
	80-1614-621-30	Supporter Shaft	1		
1	80-1614-373-20	Knife Brake Spring	1	1	
No.	Parts No.	Parts Name	HRC664 Q'ty	HRC804	Remarks



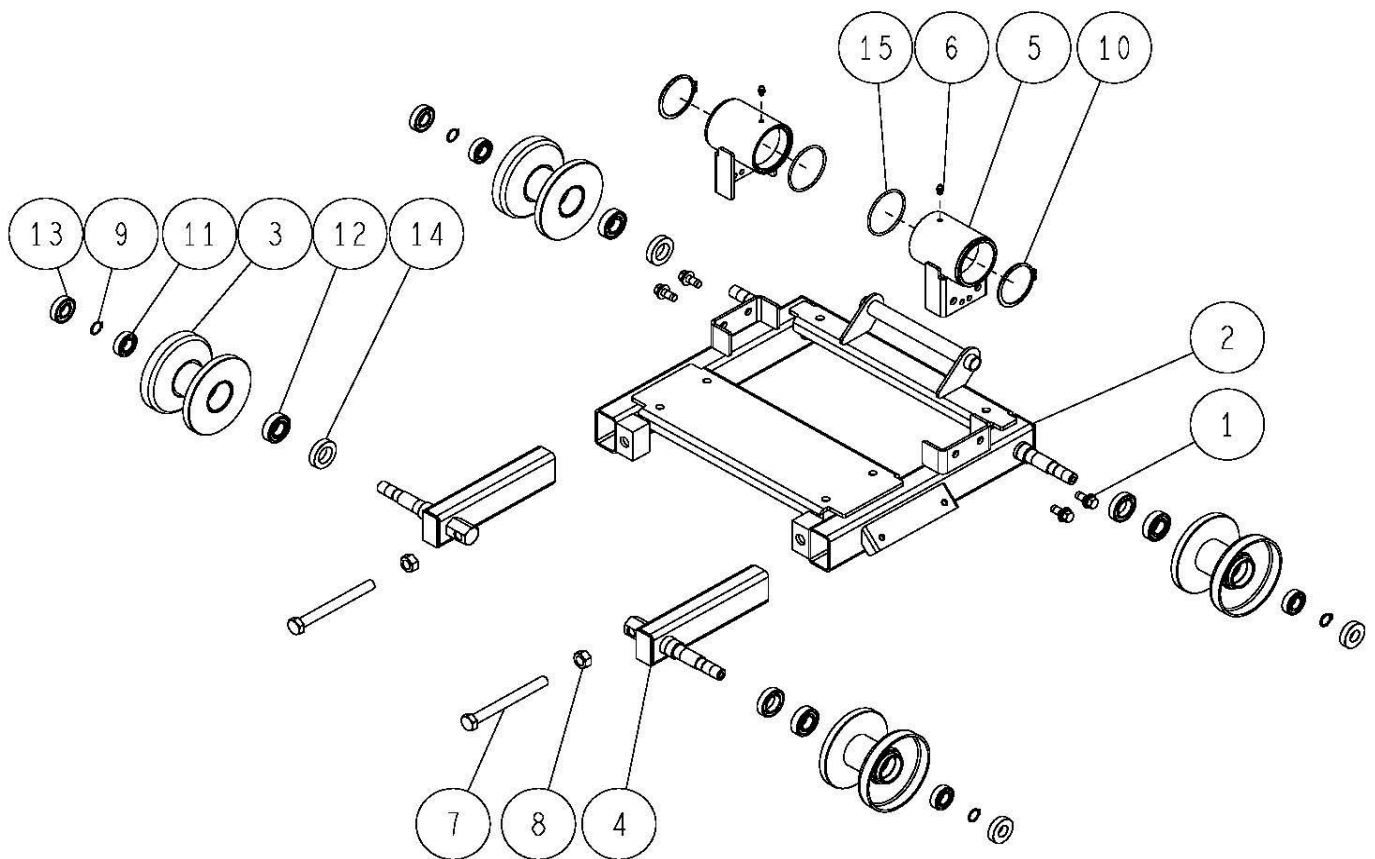
18	0285-60102	Knife Shaft BB Case Set (Red)	1	1	YB
	0285-60106	Knife Shaft BB Case Set (Blue)	1	1	IA
	0285-6010G	Knife Shaft BB Case Set (Green)	1	1	OR
17	89-3115-062064	Bearing 6206 2RS	2	2	
16	89-2512-000620	Snap Ring (R62)	2	2	
15	89-1812-100002	Toothed washer (inside) 10	1	1	
14	89-1750-080002	Spring Washer 8	14	14	
13	89-1671-080042	Mini Cap Nut M8	6	6	
12	89-1253-080162	Flange Mini Hexagonal Bolt (8T) M8*16	8	8	
11	83-1610-835-00	Knife Setting Bolt Set	19	23	
10	83-1610-321-00	Washer 10*36*4.5	1	1	
9	83-1610-124-00	Hexagonal Bolt (8T) M10*25 (left screw)	1	1	
8	0285-60402	Knife Shaft BB Case Holder (Red)	1	1	YB
	0285-60406	Knife Shaft BB Case Holder (Blue)	1	1	IA
	0285-6040G	Knife Shaft BB Case Holder (Green)	1	1	OR
7	0283-60102	Rotary Cover CMP (Red)		1	YB
	0283-60106	Rotary Cover CMP (Blue)		1	IA
	0283-6010G	Rotary Cover CMP (Green)		1	OR
	0282-60102	Rotary Cover CMP (Red)	1		YB
	0282-60106	Rotary Cover CMP (Blue)	1		IA
	0282-6010G	Rotary Cover CMP (Green)	1		OR
6	80-1614-810-00	BB Case Cover	1	1	
5	0204-50000	Knife Drum ASSY		1	2,11込みのセット
	80-1614-800-00	Knife Drum ASSY	1		
4	80-1614-705-00	Flat Head Bolt M8*18	6	6	
3	80-1612-813-01	Dust Cover (White)	2	2	
2	80-1610-821-00	Hammer Knife Blade	38	46	
1	80-1610-804-01	BB Case (White)	2	2	
No.	Parts No.	Parts Name	HRC664 Q'ty	HRC804	Remarks

Crawler Part 1/2



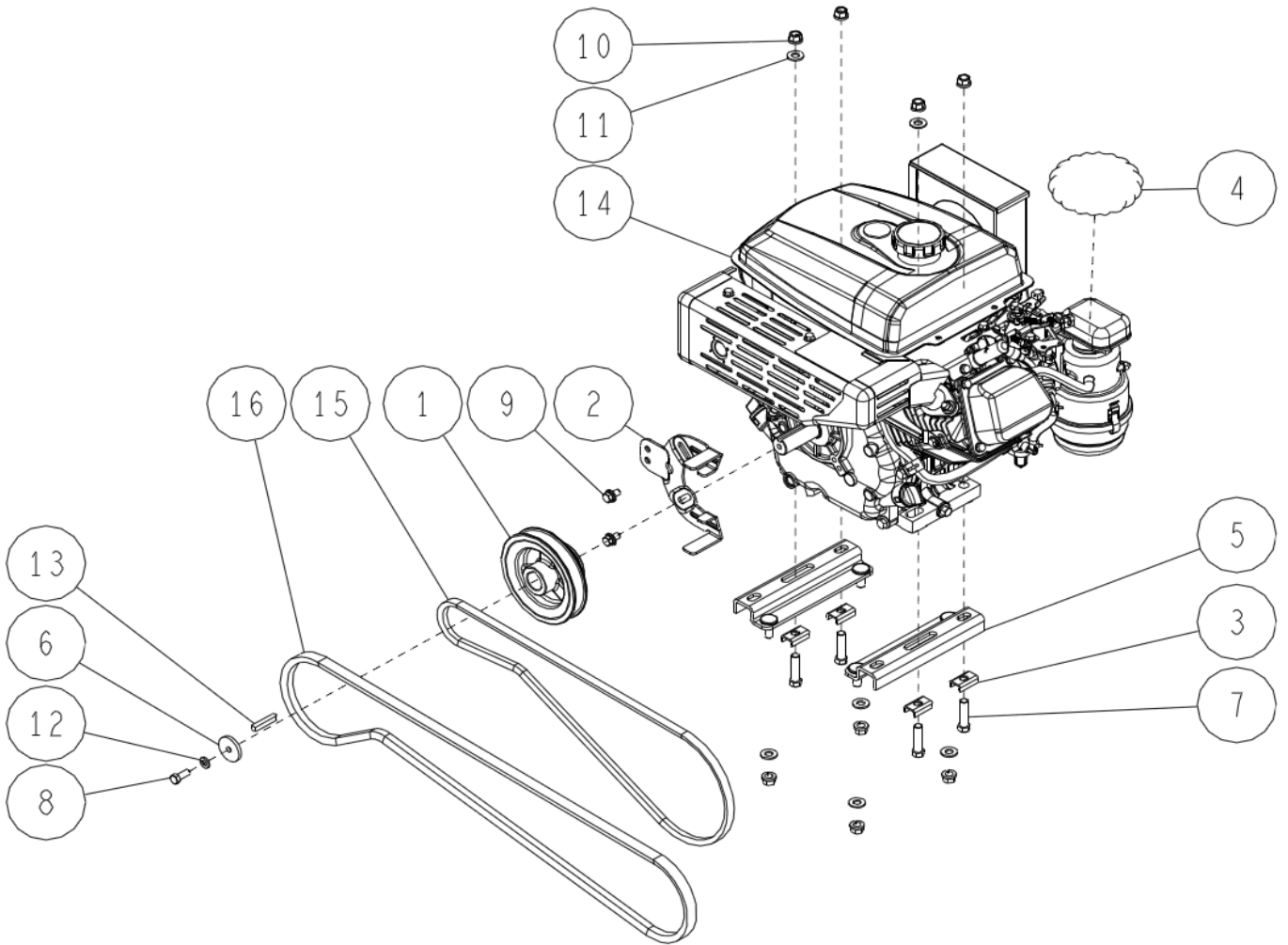
10	89-2132-10002	Snap Pin 10 (with stopper)	2	2	
9	89-1713-080002	Flat Washer 8 (Large)	4	4	
8	89-1233-080202	Mini Hexagonal Bolt (PWSW) M8*20	4	4	
7	89-1232-080162	Mini Hexagonal Bolt (SW) M8*16	4	4	
6	0334-3120H	Crawler Cover CMP (Metallic Grey)	2	2	
5	0334-3110H	Crawler Tension Bar CMP (Metallic Grey)	2	2	
4	0334-3010H	Driving Sprocket CMP (Metallic Grey)	2	2	
3	0282-70300	Dust Seal	2	2	
2	0282-70200	Rubber Crawler 160W*60P*24L	2	2	
1	0282-31310	Axle Pin 10*50	2	2	
No.	Parts No.	Parts Name	HRC664	HRC804	Remarks
			Q'ty		

Crawler Part 2/2



15	89-5222-065000	O Ring G65	2	2	
14	89-5121-254210	Oil Seal UE 25.42.10	4	4	
13	89-5121-173810	Oil Seal UE 17.38.10	4	4	
12	89-3115-060044	Bearing 6004 2RS	4	4	
11	89-3115-060034	Bearing 6003 2RS	4	4	
10	89-2511-000630	Snap Ring (S63)	2	2	
9	89-2511-000170	Snap Ring (S17)	4	4	
8	89-1511-140042	Hexagonal Nut M14	2	2	
7	89-1111-141407	Hexagonal Bolt M14*140	2	2	
6	83-1415-975-00	Grease Nipple M6	2	2	
5	0334-3020H	Driving Pipe (R) CMP (Metallic Grey)	2	2	~CGBZK01575(664) ~CHBZK01238(804)
	0935-3010H	Driving Pipe (R) CMP (Metallic Grey)	2	2	CGBZL01576~(664) CHBZL01239~(804)
4	0334-3060H	Turn Wheel Stay CMP (Metallic Grey)	2	2	
3	0334-3050H	Turn Wheel CMP (Metallic Grey)	4	4	
2	0335-3040H	Crawler frame (803) CMP		1	
	0334-3040H	Crawler Frame CMP (Metallic Grey)	1		
1	0244-83200	Mini Hexagonal Bolt (PWSW) M10*25 (7T Lock)	4	4	
No.	Parts No.	Parts Name	HRC664	HRC804	Remarks
			Q'ty		

Engine Part 1/1



16	89-6123-006202	V Belt SB-62 (W800)		1	
	89-6123-006200	V Belt LB-62	1		
15	89-6122-004602	V Belt SA-46 (W800)		1	
	89-6122-004600	V Belt LA-46	1		
14	9016-0220	Engine GB300PN-400		1	
	9015-0520	Engine GB290PN-400	1		
13	89-2151-070400	Key 7*40 (half round)	1	1	
12	89-1750-080002	Spring Washer 8	1	1	
11	89-1712-100002	Flat Washer 10*21*2.1	6	6	
10	89-1543-100002	Mini Hexagonal Nut (SW) M10	8	8	
9	89-1233-080162	Mini Hexagonal Bolt (PWSW) M8*16	2	2	
8	89-1213-080202	Mini Hexagonal Bolt (8T) M8*20	1	1	
7	89-1211-100402	Mini Hexagonal Bolt M10*40	4	4	
6	83-1565-315-00	Washer 8*36*4.5	1	1	
5	0334-20202	Engine Fitting Plate with Bolt (Red)	2	2	YB
	0334-20206	Engine Fitting Plate with Bolt (Blue)	2	2	IA
	0334-2020G	Engine Fitting Plate with Bolt (Green)	2	2	OR
4	0285-78100	Air Cliner Cover	1	1	
3	0211-31100	Whirl Stop Plate A10 (H14)	4	4	
2	80-1614-561-21	Belt Holder CMP (White)	1	1	
1	80-1614-514-20	Engine Pulley 132	1	1	
No.	Parts No.	Parts Name	HRC664 HRC804		Remarks
			Q'ty		

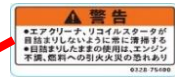
0334-72300 (HRC664)
HRC664 Handle Cover mark
0335-72300 (HRC804)
HRC804 Handle Cover Mark



0334-71110
Change Lever



0328-75400
Air Cleaner Warning Lable



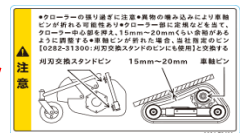
0334-72800
Engine Cover Mark



0334-73300
Oil Level 1.6 Lable



Serial Number



0334-71410
Crawler Caution Lable



0301-70610
Cutting Height Operation mark

刈高調整はローターが
完全に止まってから

0334-73500
Cutting Height Adjustment Lable



0334-72400
Front Cover Mark



0334-71800
Knife Caution Lable



0334-73400
Left Lable
※Inside Bolt Cover



0282-70630
HR Warning Lable

0334-71210 (HRC664)
HRC663 Mission Lable
0335-71210 (HRC804)
HRC803 Mission Lable



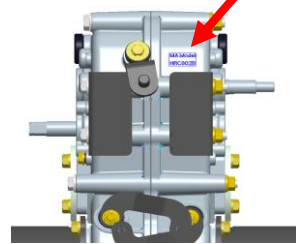
0334-73100
Handle Top&Bottom Lable



0334-73200
Handle Left & Right Lable



0334-72700
Guard Cover Mark



0334-71700
Drive Clutch Lable



0334-71600
Knife Clutch Lable



ベルトサイズ		
モデル	タイプ	サイズ
走行	標準	58x110
走行	オプション	58x110
エンジン	標準	58x110
エンジン	オプション	58x110

※Inside of Belt Cover

0334-73600 (HRC664)
Belt Size Lable

0291-70310 (HRC804)
Belt Size Lable



0334-72600
Belt Cover Product Mark



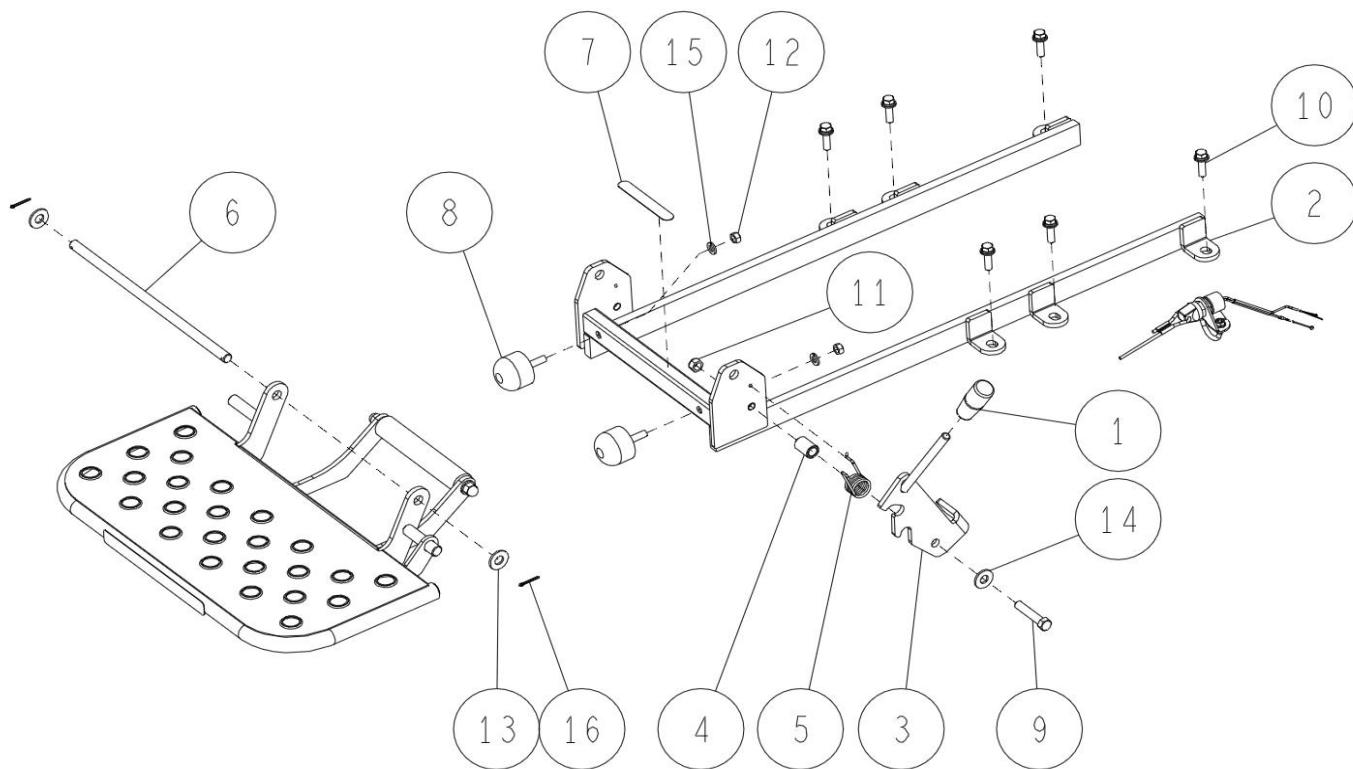
0334-72500
Belt Cover Logo Mark



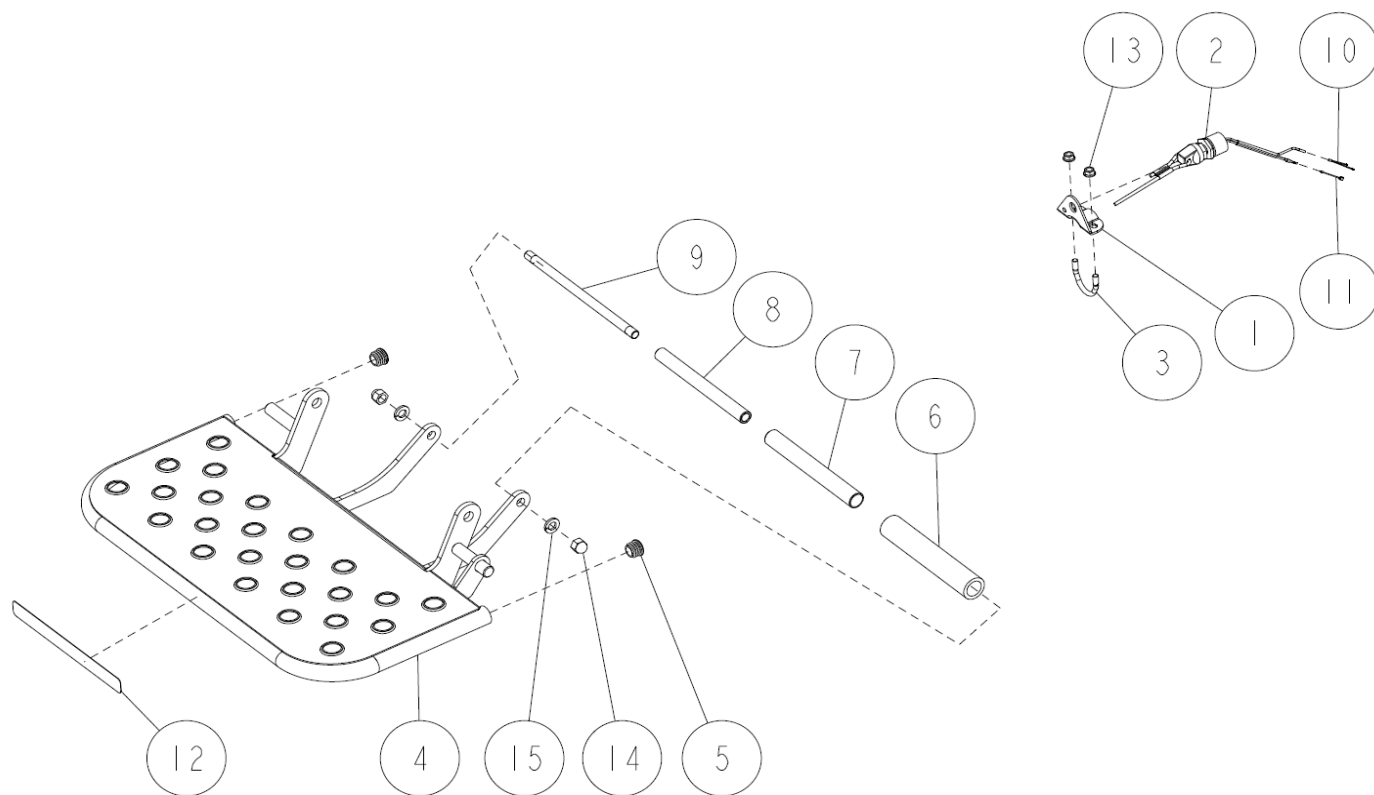
0334-71510
Inclined Lable



0334-71800
Knife Warning Lable



16	89-2120-250202	Split Pin 2.5*20	2	2	
15	89-1750-080002	Spring Washer 8	2	2	
14	89-1713-100002	Flat Washer 10 (Large)	1	1	
13	89-1712-120002	Flat Washer 12	2	2	
12	89-1611-080042	Mini Hexagonal Nut M8	2	2	
11	89-1561-100002	Mini Hexagonal U Nut M10	1	1	
10	89-1236-100302	Mini Hexagonal Bolt(SW.PW) M10*30	6	6	
9	89-1213-100502	Mini Hexagonal Bolt (8T) M10*50	1	1	
8	84-1783-647-00	Stopper Rubber EH-1003	2	2	
7	0334-80910	Label (Public road prohibition)	1	1	
6	0334-80800	Step Support Pin	1	1	
5	0334-80700	Step hanger spring	1	1	
4	0334-80500	Step hanger collar	1	1	
3	0334-8041H	Step hanger CMP	1	1	
2	0334-8021H	Step frame CMP	1	1	
1	0006-70500	Lever Gripe (Black) 10	1	1	
No.	Parts No.	Parts Name	HRC664	HRC804	Remarks
			Q'ty		



15	89-1750-100002	Spring Washer 10	2	2	
14	89-1671-100042	Mini Cap Nut M10	2	2	
13	89-1531-060143	Flange Hexagonal Nut M6	2	2	
12	0334-82100	Foot caution label	1	1	
11	0334-81600	2-pole terminal	1	1	
10	0334-81500	Lead wire	1	1	
9	0334-81400	Stopper Bolt	1	1	
8	0334-81300	Frame stopper collar	1	1	
7	0334-81200	Stoper Pipe	1	1	
6	0334-81100	Rubber hose L155	1	1	
5	0201-72300	CapB-34	2	2	
4	0334-8011H	Step CMP	1	1	
3	0212-71400	U Bolt 27.2	1	1	
2	0212-71100	Engine Stop Switch	1	1	
1	0212-11100	Stop Switch Stay	1	1	
No.	Parts No.	Parts Name	HRC664	HRC804	Remarks
			Q'ty		