

OREC

発行No. RM881A-06

Parts Catalogue
Rabbit Mower

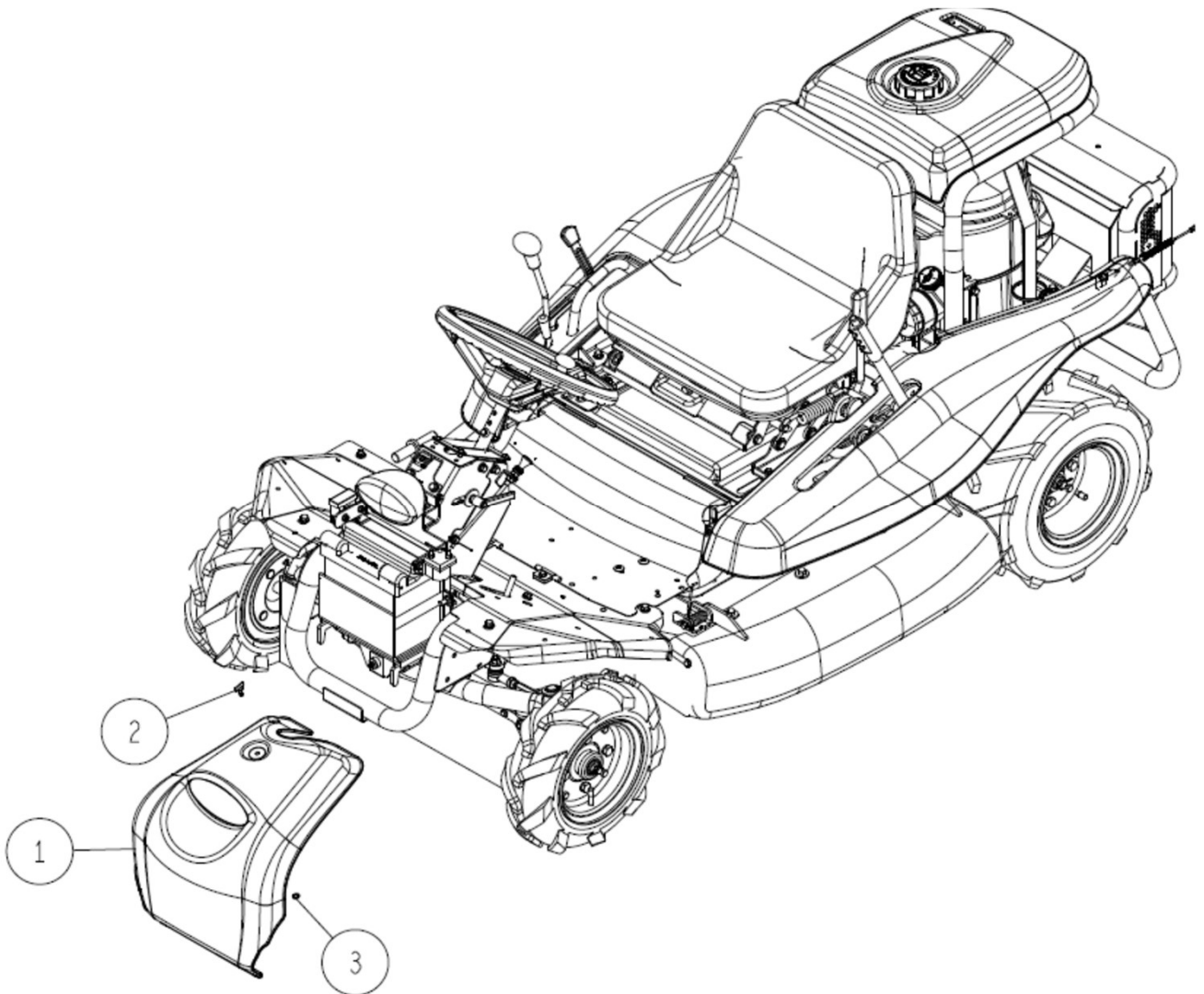
RM883



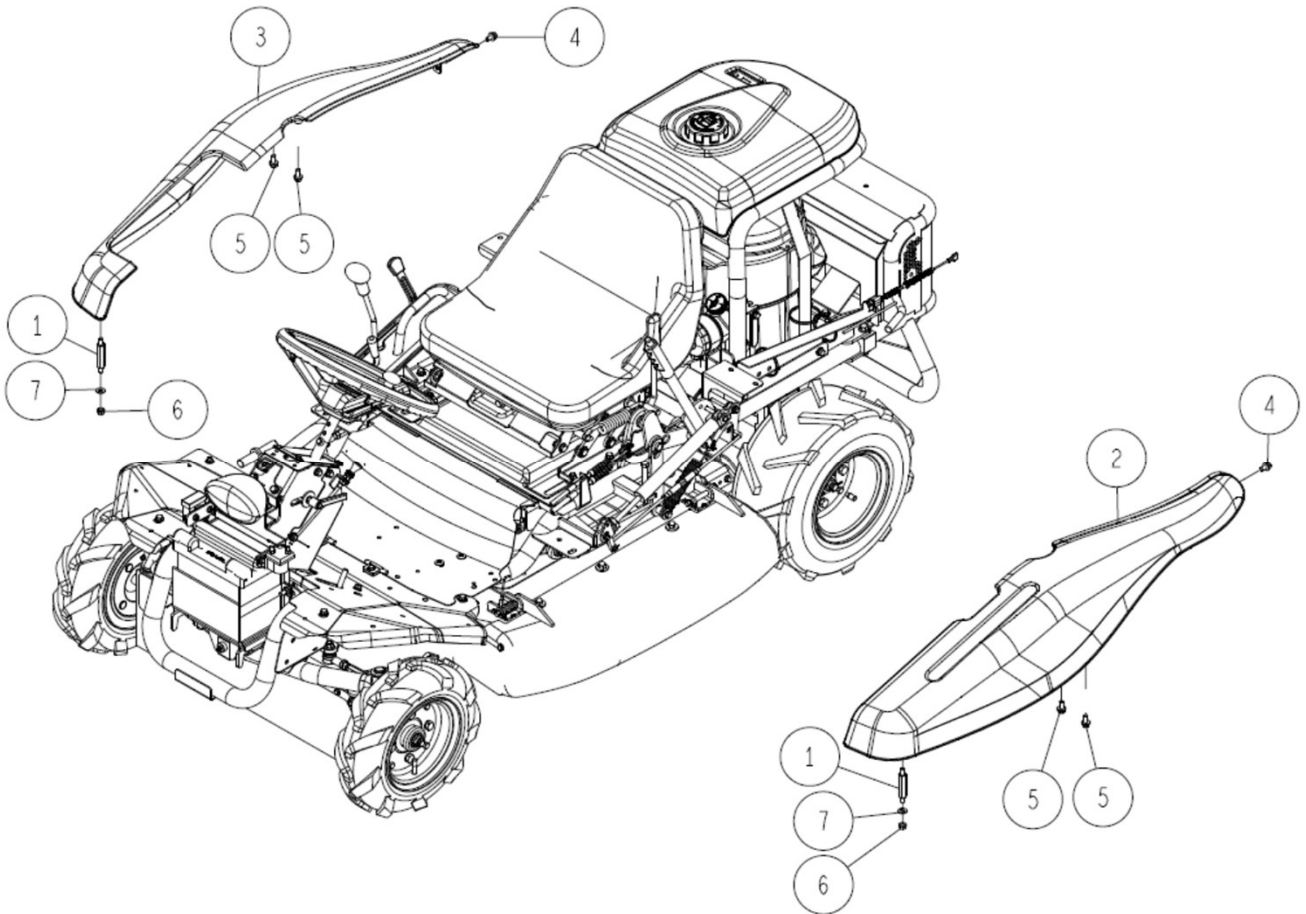
《Contents》

Flame	1
Mission H S T	1 5
Handle	2 4
Front	2 8
Tire & Wheel	3 2
Control	3 3
Cutting part	3 6
Seat	4 2
Engine	4 6
Turf Tire	4 9
Label	5 0

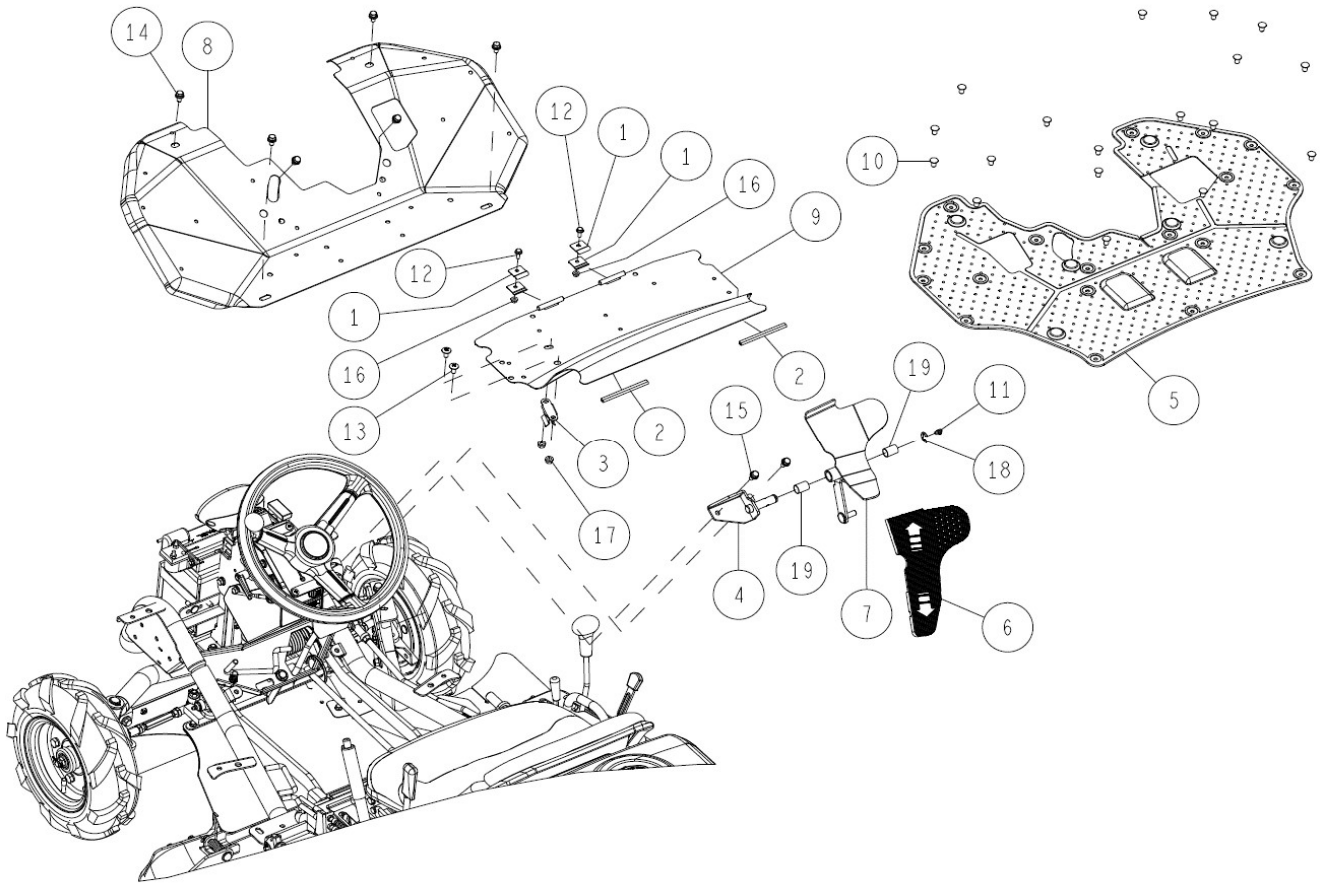
OREC CO., LTD.



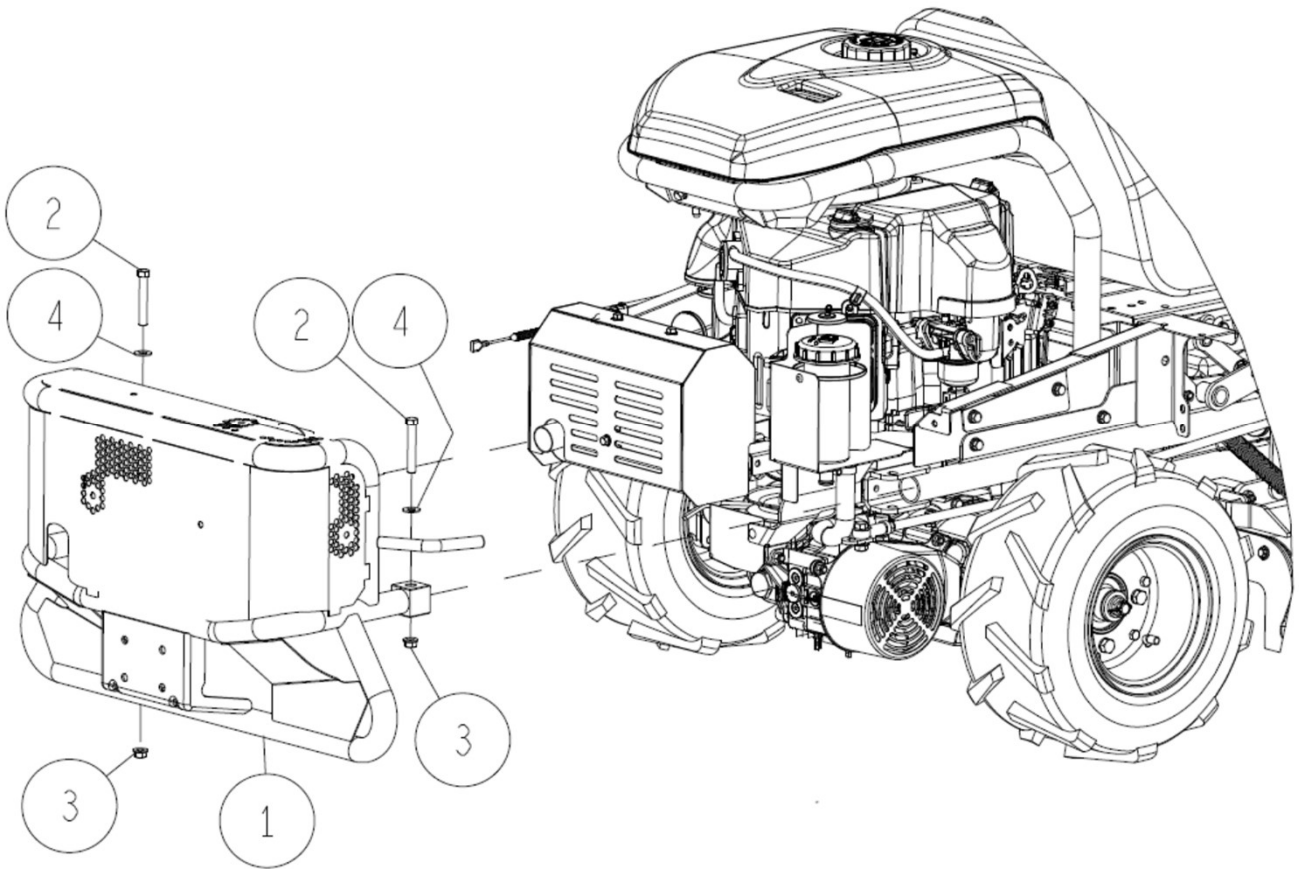
3	0322-71700	Retainer	1	
2	0322-71200	Wing Stud ϕ 6*14	1	
1	0322-70900	Front Cover	1	
No	Parts No	parts Name	Qty	Remark



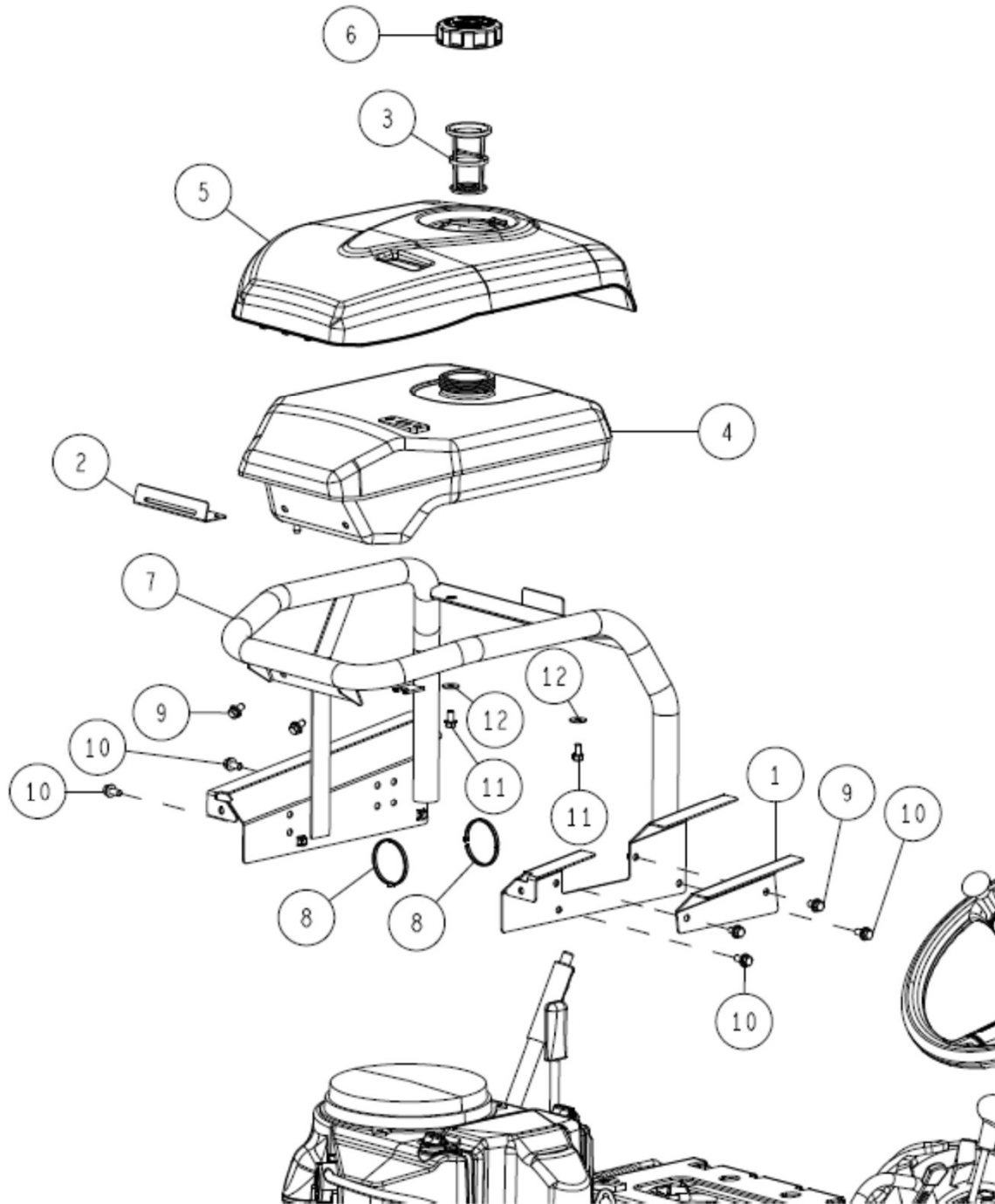
7	89-1714-080002	Flat Washer 8	2	
6	89-1543-080002	Mini Hexagonal Nut (SW) M8	2	
5	89-1233-080202	Mini Hexagonal Bolt (PWSW) M8*20	4	
4	89-1233-080162	Mini Hexagonal Bolt (PWSW) M8*16	2	
3	0342-73500	Side Cover (R) (White)	1	
2	0342-73600	Side Cover (L) (White)	1	
1	0267-40900	Double Screw Bolt M	2	
No	Parts No	parts Name	Qty	Remark



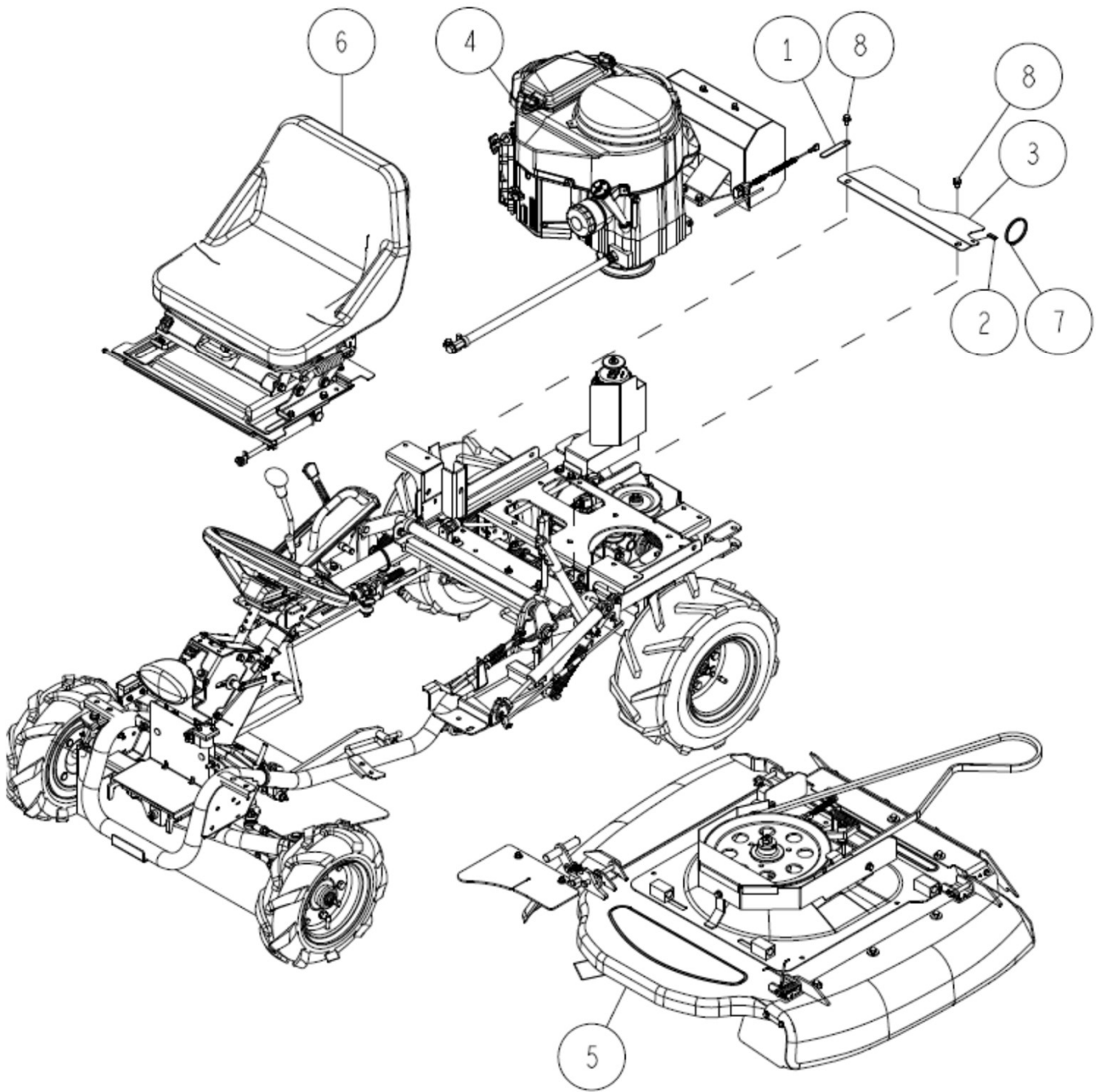
19	89-3510-016250	DU Bush 16.25	2	
18	89-2521-000120	E Type Ring 12	1	
17	89-1543-080002	Mini Hexagonal Nut (SW) M8	2	
16	89-1531-060042	Flange Nut M6	2	
15	89-1233-080202	Mini Hexagonal Bolt (PWSW) M8*20	2	
14	89-1233-080162	Mini Hexagonal Bolt (PWSW) M8*16	6	
13	89-1159-080168	Truss Mini Screw M8*16	2	
12	89-1137-060172	Hexagonal Bolt (PW) M6*17	2	
11	83-1515-975-00	Grease Nipple C-Type M6	1	
10	83-1484-369-00	Clip (5347)	18	
9	0348-2520G	Center Step CMP (Green)	1	
8	0348-2510G	Step (Green)	1	
7	0341-70200	Change Pedal Rubber	1	
6	0341-70100	Step Rubber	1	
5	0341-1040H	Pedal Stay CMP (Metallic Grey)	1	
4	0341-1031H	Change Pedal CMP (Metallic Grey)	1	
3	0312-70700	Bonnet Clip	1	
2	0301-60400	Rubber 110L	2	
1	0028-70500	Center Step Hinge	4	
No	Parts Number	parts Name	Q'ty	Remark



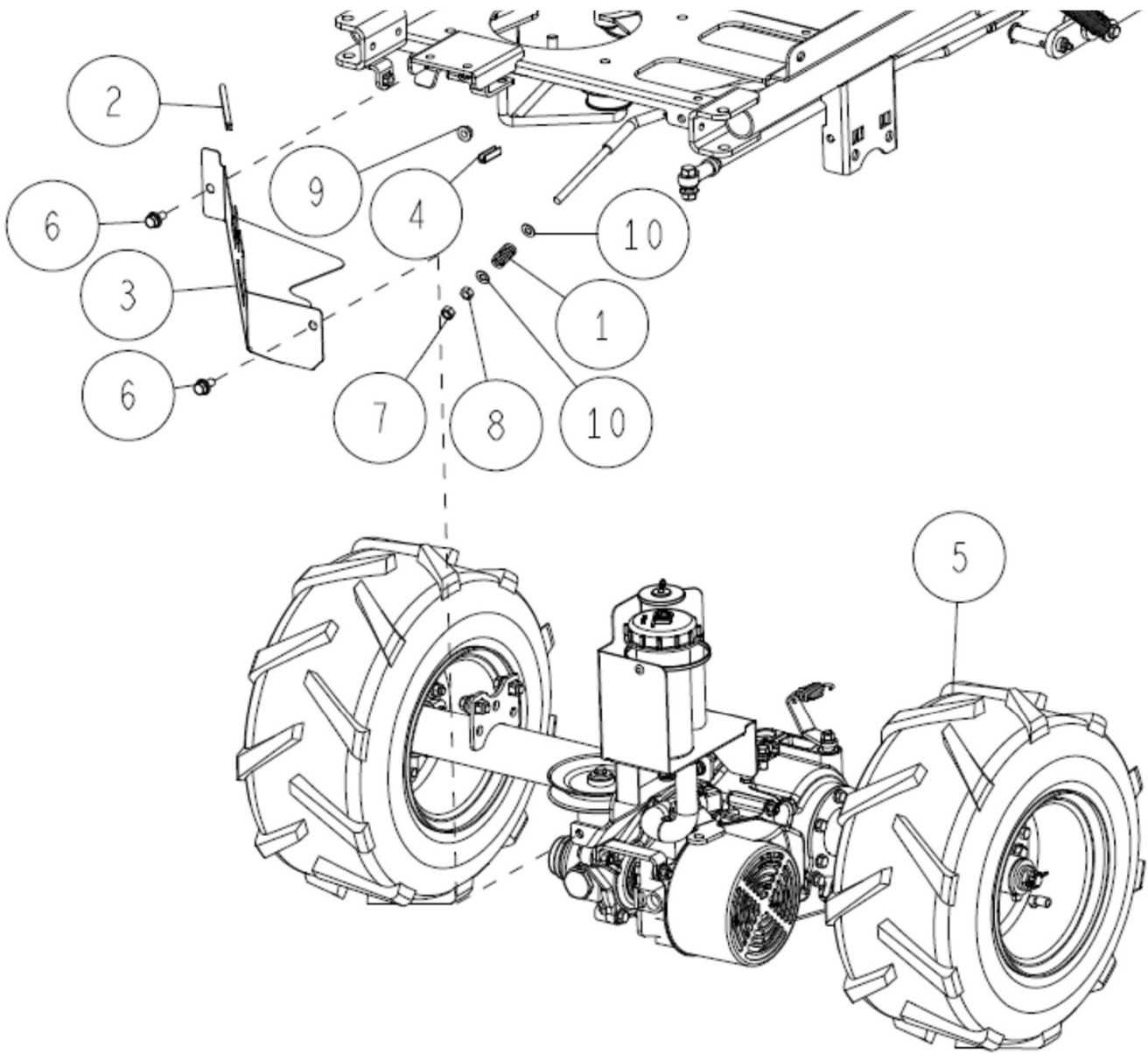
4	89-1714-100002	Flat Washer 10	2	
3	89-1631-100042	Flange Mini Hexagonal Nut M10	2	
2	89-1213-100652	Mini Hexagonal Bolt (8T) M10*65	2	
1	0348-2020G	Rear Frame CMP (Green)	1	
No	Parts Number	parts Name	Q'ty	Remark



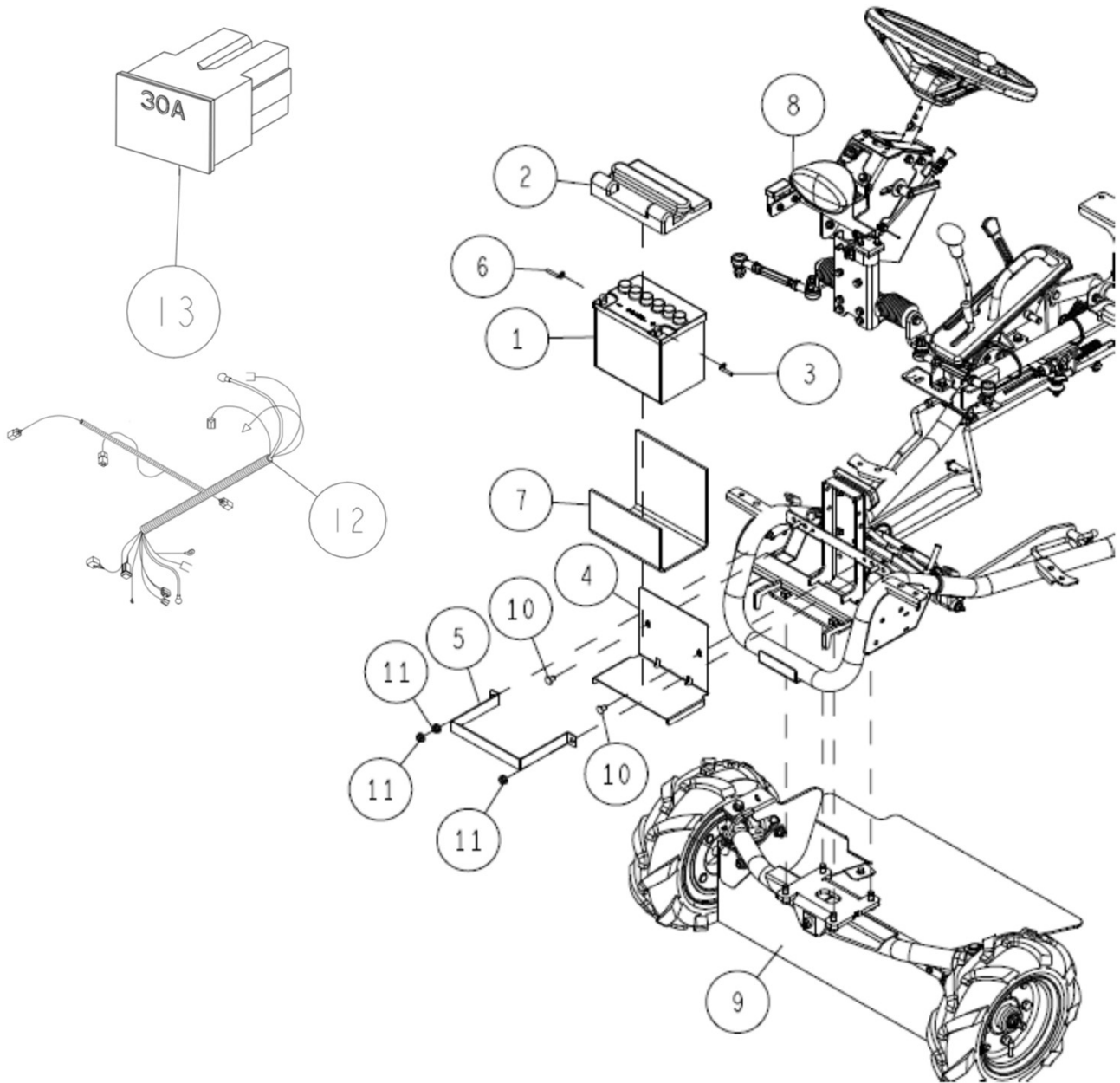
-	0322-71000	Fuel Tank Assy	1	3、4、6
12	89-1716-080002	Washer 8*22*1.6	2	
11	89-1232-080162	Mini Hexagonal Bolt (SW) M8*16	2	
10	89-1233-080202	Mini Hexagonal Bolt (PWSW) M8*20	4	
9	89-1233-080162	Mini Hexagonal Bolt (PWSW) M8*16	4	
8	0341-71200	Cable Ties 200L Black	2	黒色
7	0341-6010G	Tank Holder CMP (Green)	1	
6	0322-76000	Fuel Tank Cap Assy (with valve)	1	
5	0322-73200	Tank Cover (White)	1	
4	0322-71800	Fuel Tank (with Fuel Gauge)	1	
3	0322-70700	Fuel Filter	1	
2	0322-60401	Fuel Tank Cover Stay (White)	1	
1	0322-6020G	Rear Fender Cover (R) (Green)	1	
No	Parts Number	parts Name	Q'ty	Remark



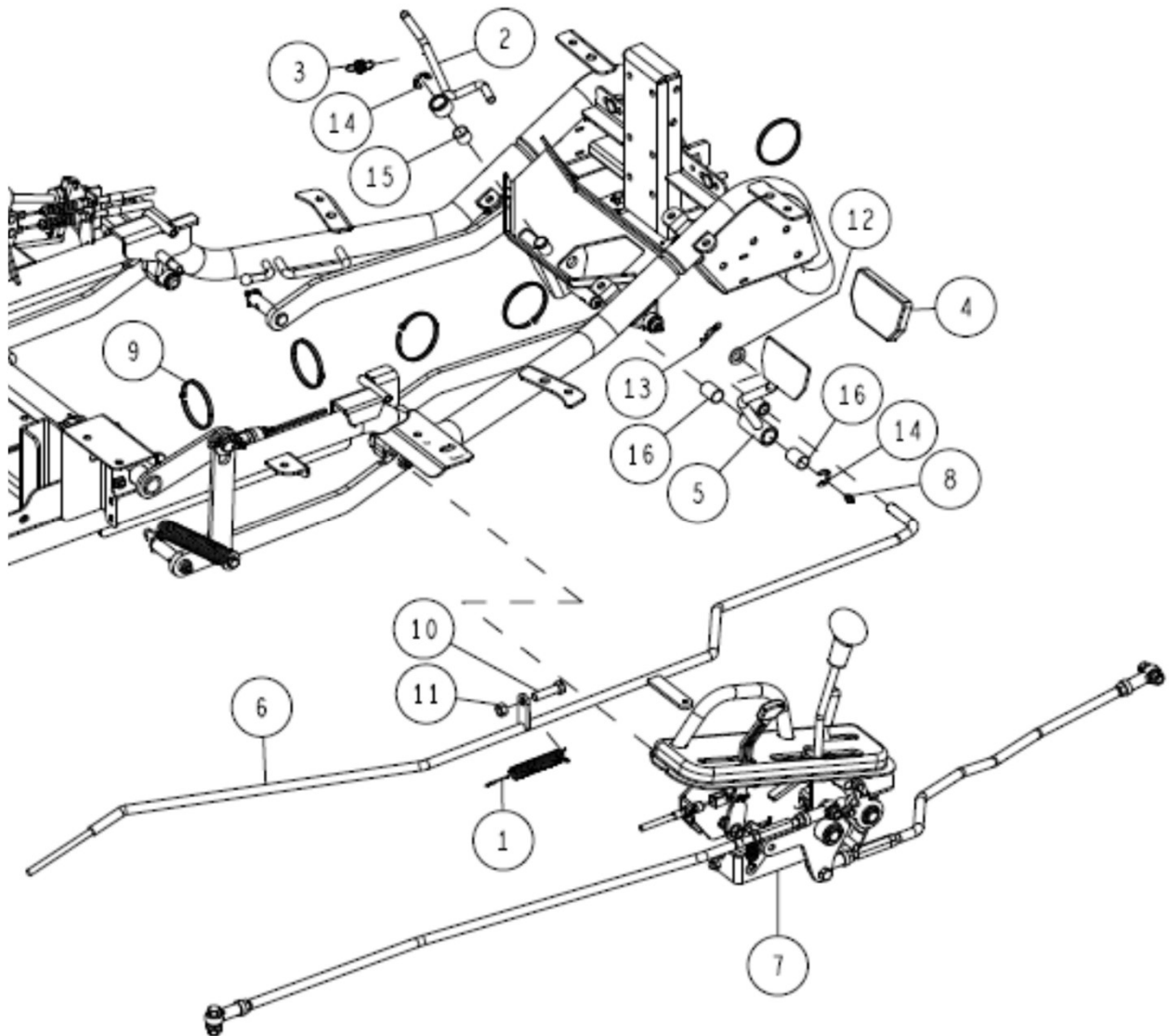
8	89-1233-080162	Mini Hexagonal Bolt (PWSW) M8*16	2	
7	83-1711-719-00	Wire Band 200L	1	
6	-	Seat part	1	Details P42~
5	-	Cutting part	1	Details P36~
4	-	Engine Part	1	Details P46~
3	0322-2250H	Upper Belt Cover (Metallic Grey)	1	
2	0229-13100	Rubber, L20	1	
1	80-1792-988-00	Harness Clip 8	1	
No	Parts Number	parts Name	Q'ty	Remark



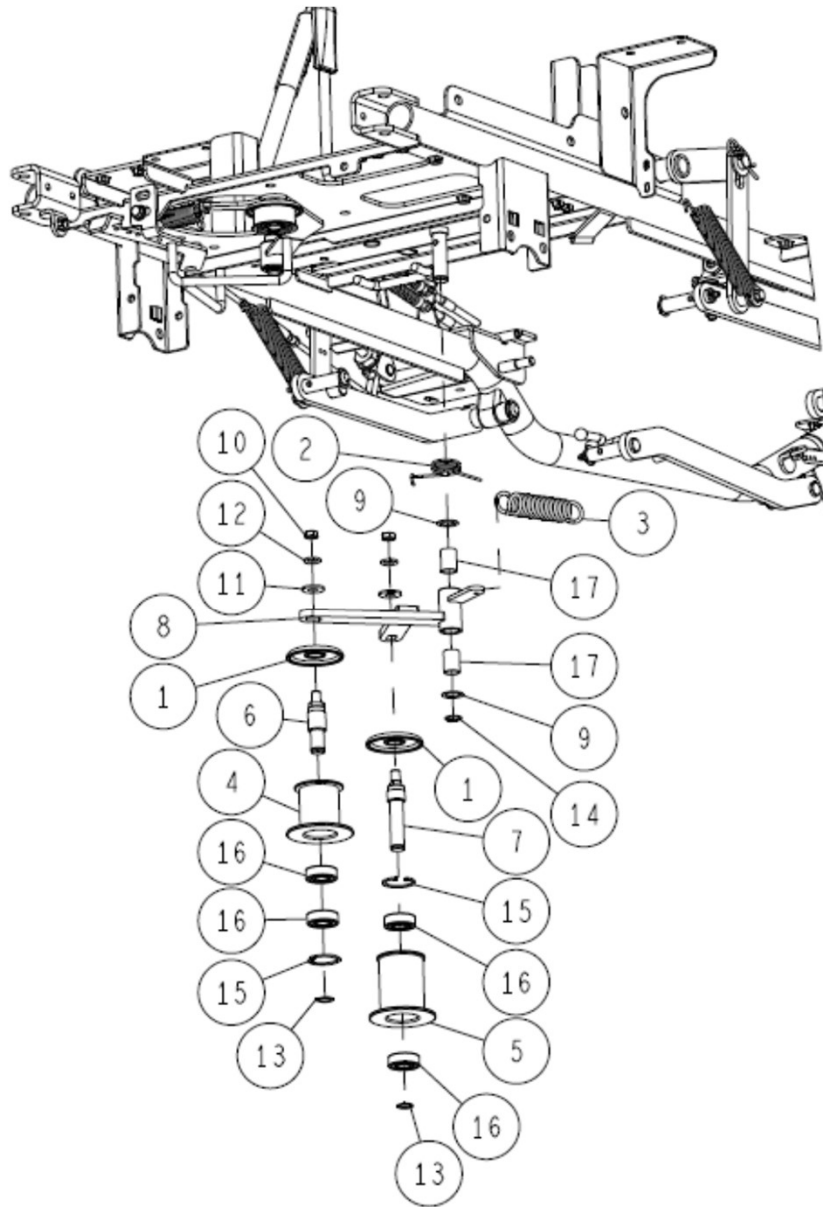
10	89-1711-080002	Flat Washer 8	2	
9	89-1631-080042	Flange Mini Hexagonal Nut M8	1	
8	89-1611-080042	Mini Hexagonal Nut M8	1	
7	89-1561-080002	Mini Hexagonal U Nut M8	1	
6	89-1233-080202	Mini Hexagonal Bolt (PWSW) M8*20	2	
5	-	Mission HST	1	Details P15~
4	0322-73800	Rubber	1	
3	0322-6030H	Rear Belt Cover (Metallic Grey)	1	
2	0301-60400	Rubber 110L	1	
1	0207-75400	Brake Spring 30	1	
No	Parts Number	parts Name	Q'ty	Remark



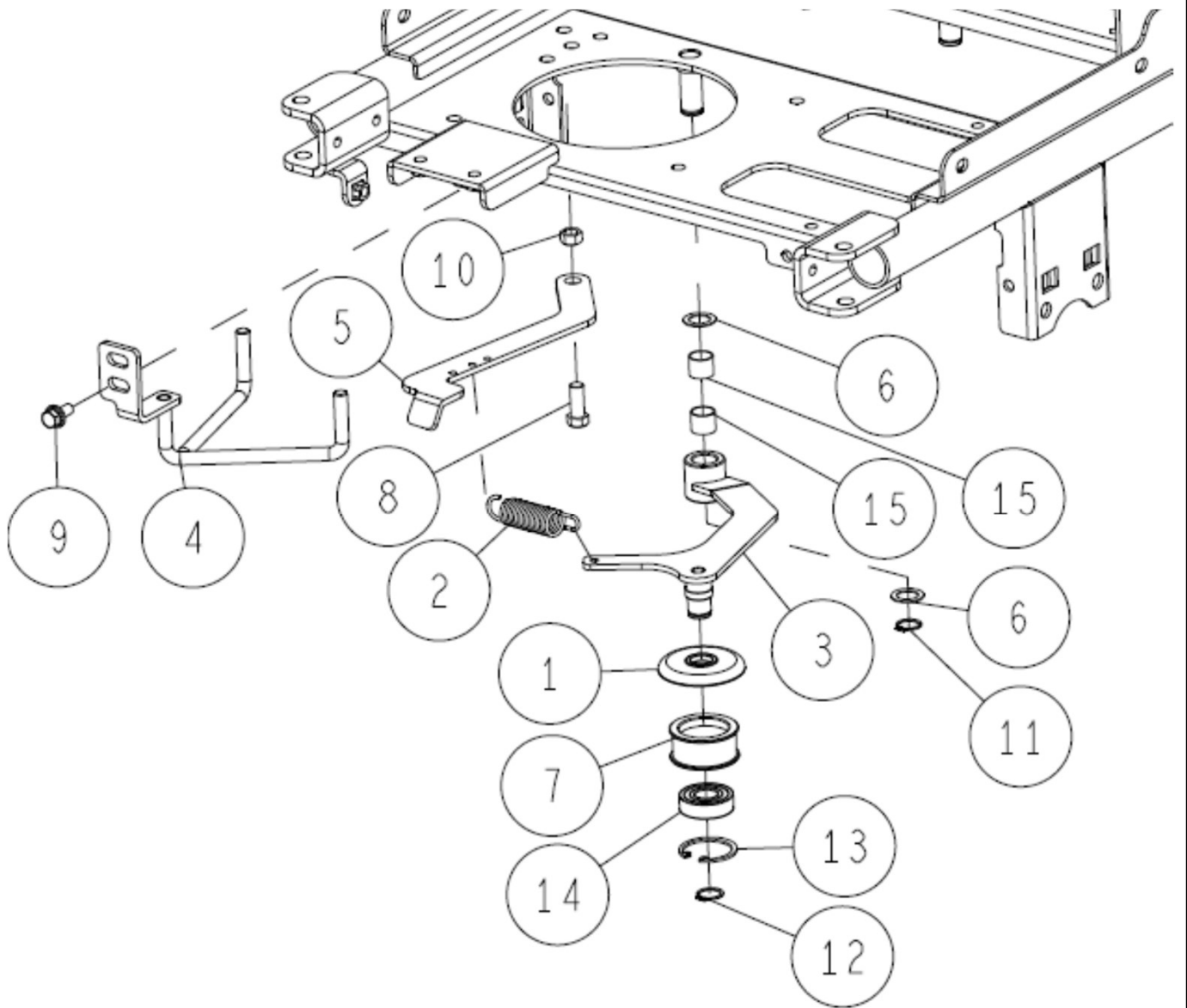
13	0312-75900	Fuse 30 A	1	
12	0341-72200	Wire Harness (RM882/K)	1	
11	89-1631-080042	Flange Mini Hexagonal Nut M8	3	
10	83-1484-369-00	Clip (5347)	2	
9	-	Front part	1	Details P28~
8	-	Handle Part	1	Details P24~
7	0322-72300	Cushion Rubber (Battery)	1	
6	0322-72200	Battery Minus Cord	1	
5	0322-2220H	Battery Holder CMP (Metallic Grey)	1	
4	0322-2210H	Battery Carrier (Metallic Grey)	1	
3	0207-77100	Battery Plus Cord 230	1	
2	0207-63200	Battery Cover	1	
1	80-1792-976-00	Battery (32A-19L)	1	
No	Parts Number	parts Name	Q'ty	Remark



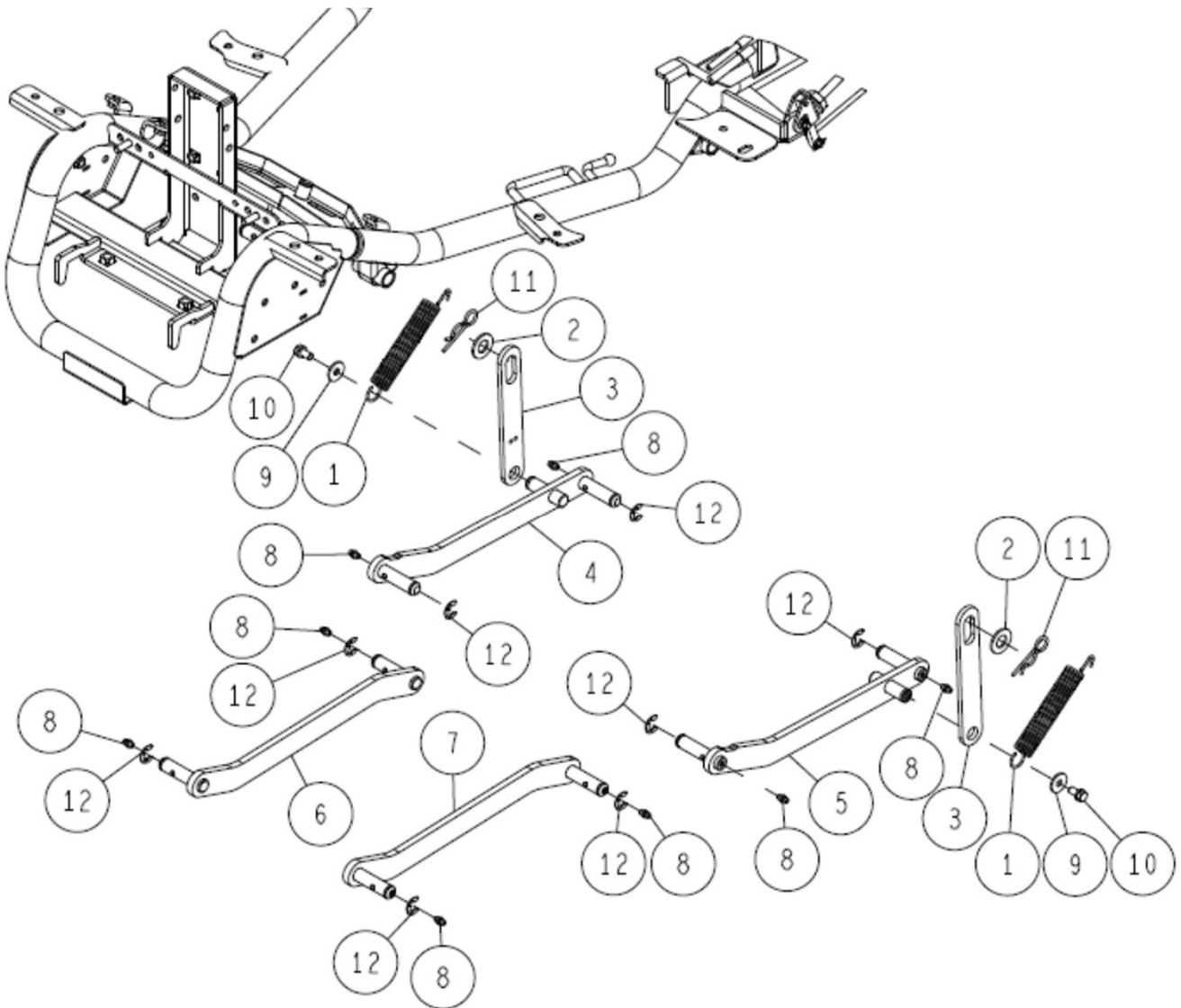
16	89-3510-016250	DU Bush 16.25	2	
15	89-3510-016150	DU Bush 16.15	1	
14	89-2521-000120	E Type Ring 12	2	
13	89-2131-120002	Snap Pin 12	1	
12	89-1711-120002	Flat Washer 12	1	
11	89-1611-100042	Mini Hexagonal Nut M10	1	
10	89-1213-100352	Mini Hexagonal Bolt (8T) M10*35	1	
9	83-1711-719-00	Wire Band 200L	5	
8	83-1415-975-00	Grease Nipple M6	1	
7	-	Contral Part	1	Details P33~
6	0340-10100	Brake Rod CMP	1	
5	0322-1040H	Brake Pedal CMP (Metallic Grey)	1	
4	0312-71100	Brake Pedal Rubber	1	
3	0312-23200	Brake Stopper Return Spring	1	
2	0312-23100	Brake Stopper CMP	1	
1	80-1493-354-00	Rod Return Spring	1	
No	Parts Number	parts Name	Q'ty	Remark



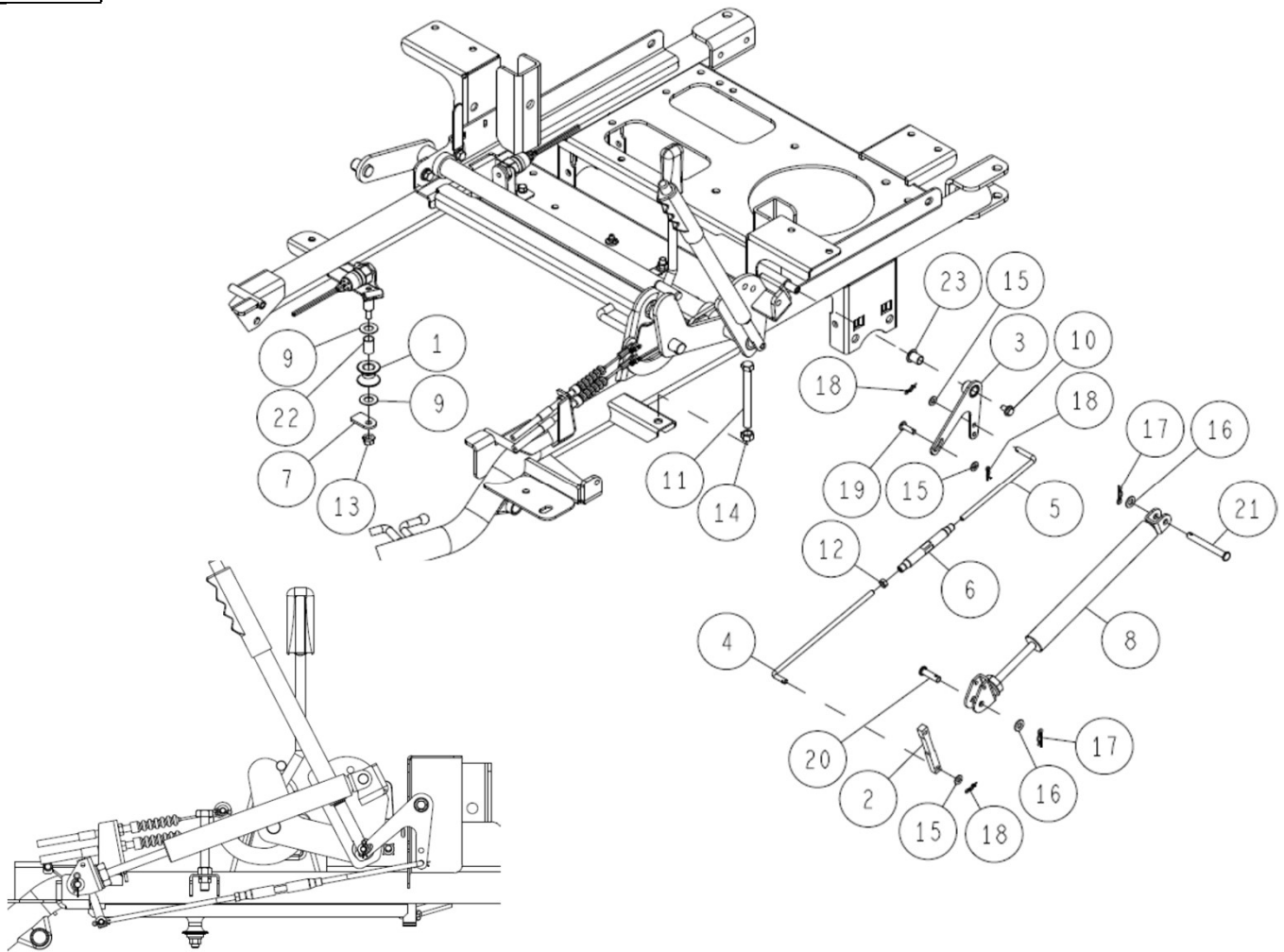
-	0227-42000	Knife Tension Pulley Set	1	4、6、13、15、16×2ヶ
-	0227-41000	Knife Tension Pulley (A) Set	1	5、7、13、15、16×2ヶ
17	89-3510-016250	DU Bush 16.25	2	
16	89-3115-062024	Bearing 6202 2RS	4	
15	89-2512-000350	Snap Ring (R35)	2	
14	89-2511-000160	Snap Ring (S16)	1	
13	89-2511-000150	Snap Ring (S15)	2	
12	89-1750-100002	Spring Washer 10	2	
11	89-1713-100002	Flat Washer 10 (Large)	2	
10	89-1613-100042	Mini Hexagonal Nut (3 sorts) M10	2	
9	83-1020-363-00	Thrust Washer 16*24*1.0	2	
8	0322-4120H	Knife Tention Arm CMP (Metallic Grey)	1	
7	0244-42800	Tension Idler Shaft	1	
6	0227-40400	Knife Tension Pulley Axle	1	
5	0227-40300	Knife Tension Pulley (A)	1	
4	0227-40200	Knife Tension Pulley	1	
3	0207-78400	Spring For Knife Tension Return	1	
2	80-1483-568-00	Knife Tension Return Spring	1	
1	80-1482-549-00	Rubber Cover 58	2	
No	Parts Number	parts Name	Q'ty	Remark



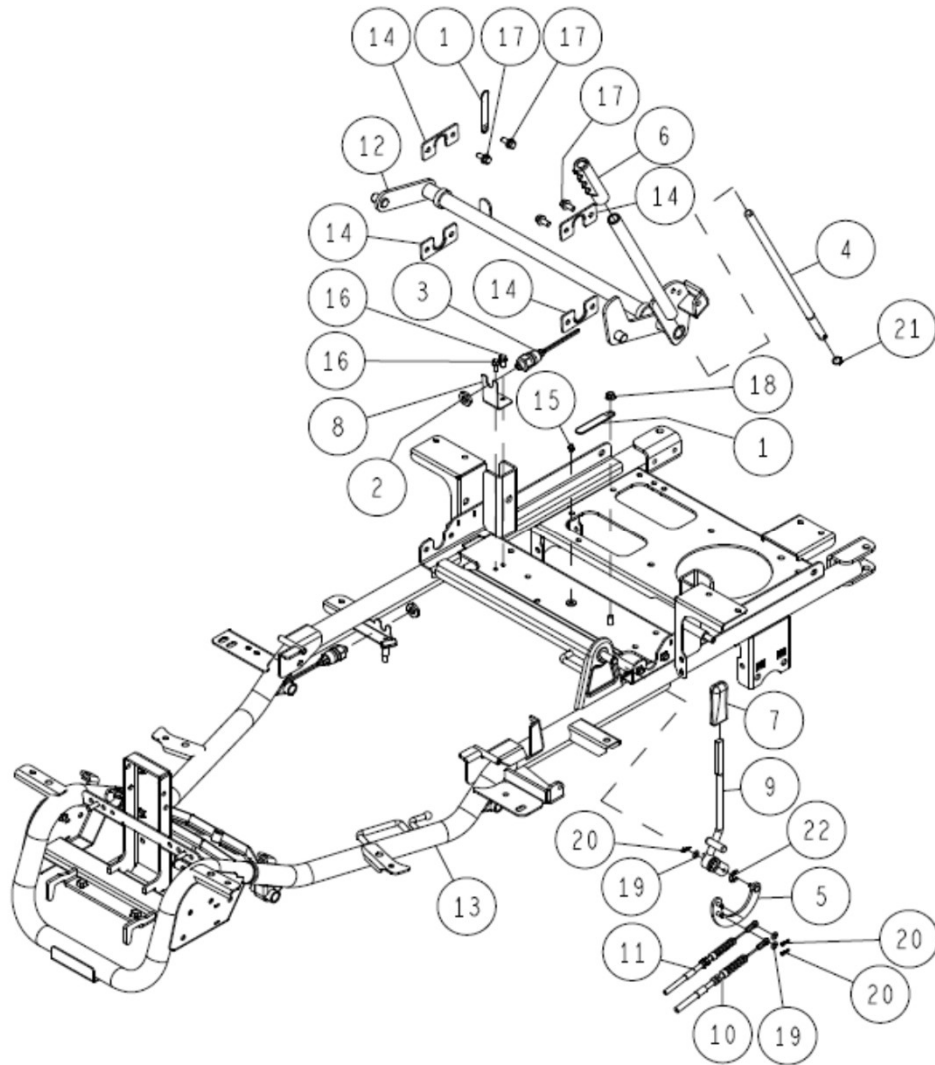
-	83-1032-760-00	Tension Pulley Assy	1	7、13、14
15	89-3510-016150	DU Bush 16.15	2	
14	89-3115-062034	Bearing 6203 2RS	1	
13	89-2512-000400	Snap Ring (R40)	1	
12	89-2511-000170	Snap Ring (S17)	1	
11	89-2511-000160	Snap Ring (S16)	1	
10	89-1611-100042	Mini Hexagonal Nut M10	1	
9	89-1233-080202	Mini Hexagonal Bolt (PWSW) M8*20	1	
8	89-1211-100252	Mini Hexagonal Bolt M10*25	1	
7	83-1032-765-00	Tension Pulley	1	
6	83-1020-363-00	Thrust Washer 16*24*1.0	2	
5	0322-4140H	Drive Tention Spring Arm (Metallic Grey)	1	
4	0322-4130H	Belt Holder CMP (Metallic Grey)	1	
3	0322-4110H	Drive Tention Arm (Metallic Grey)	1	
2	80-1485-551-00	Driving Tension Spring	1	
1	80-1482-549-00	Rubber Cover 58	1	
No	Parts Number	parts Name	Q'ty	Remark



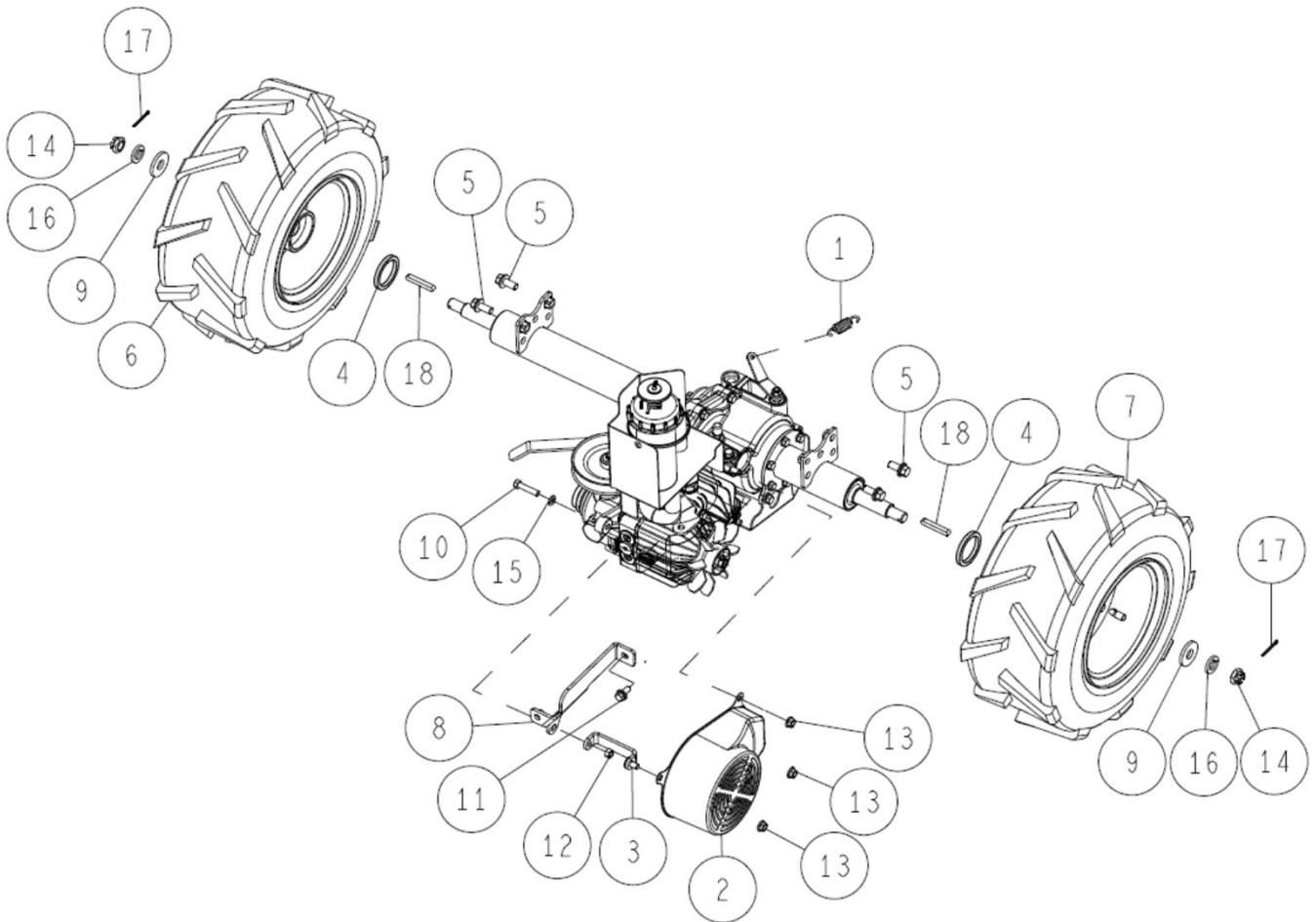
12	89-2521-000120	E Type Ring 12	8	
11	89-2131-120002	Snap Pin 12	2	
10	89-1232-080162	Mini Hexagonal Bolt (SW) M8*16	2	
9	83-1751-311-00	Flat Washer 8*25*2.3	2	
8	83-1415-975-00	Grease Nipple M6	8	
7	0341-5030H	Front Link Arm (L) (Metallic Grey)	1	
6	0341-5020H	Front Link Arm (R) (Metallic Grey)	1	
5	0322-5130H	Rear Link Arm (L) (Metallic Grey)	1	
4	0322-5120H	Rear Link Arm (R) (Metallic Grey)	1	
3	0227-1150H	Connectiong Arm (Metallic Grey)	2	
2	0207-76800	Washer 16*32*2.3	2	
1	80-1484-276-10	Spring (Up/Down)	2	
No	Parts Number	parts Name	Q'ty	Remark



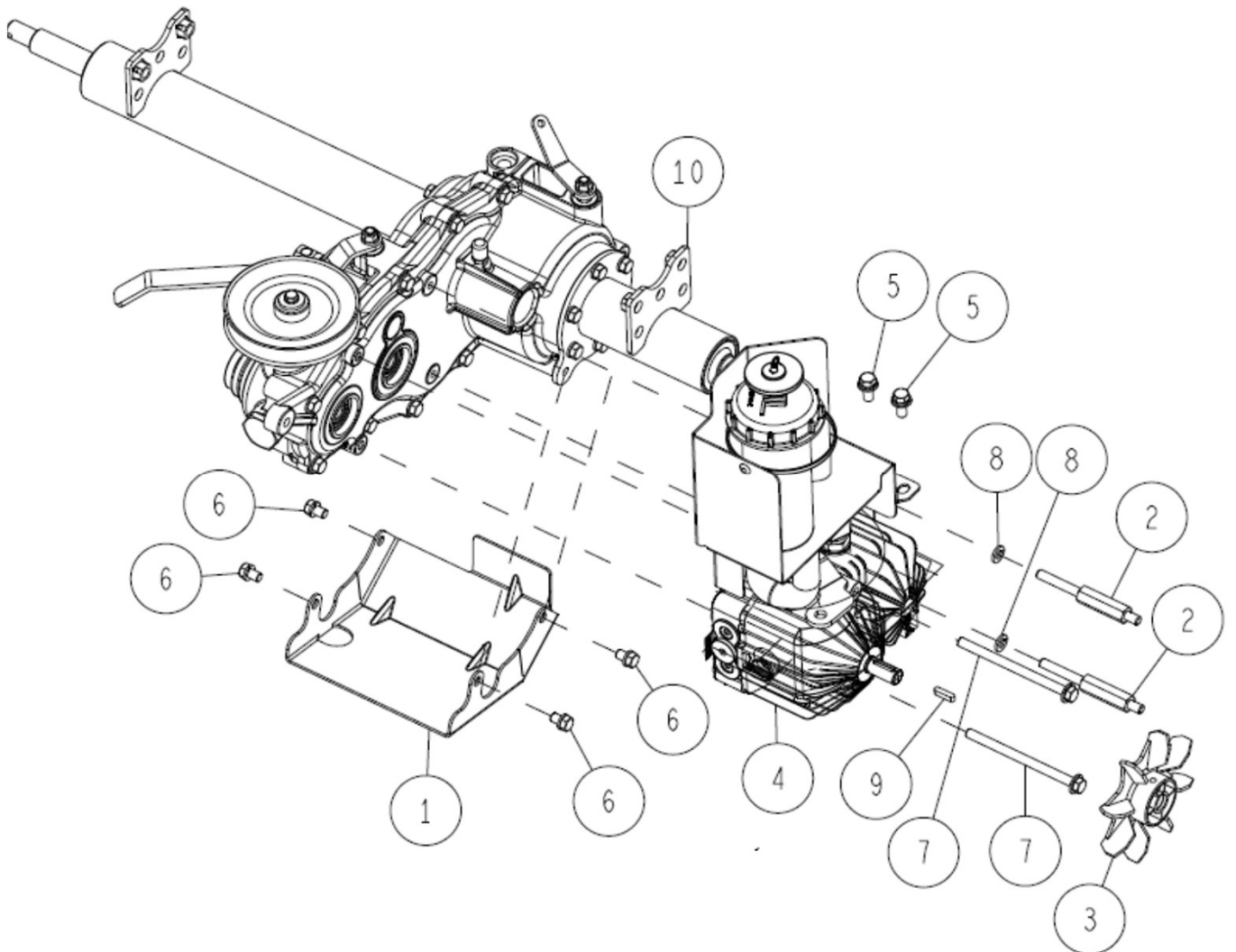
-	0322-73700	Gas Spring Free Lock Type(FLC75- 60) set	1	2、8
-	0244-11000	Adjusting Rod Assy	1	4、5、6、12
23	89-3511-010150	DU Bush 10.15.18F	1	
22	89-3510-012200	DU Bush 12.20	1	
21	89-2181-080692	Flat Head Pin 8*69	1	
20	89-2181-080282	Flat Head Pin 8*28	1	
19	89-2181-060202	Flat Head Pin 6*20	1	
18	89-2132-060002	Snap Pin 6 (with stopper)	3	
17	89-2131-080002	Snap Pin 8	2	
16	89-1711-080002	Flat Washer 8	2	
15	89-1711-060002	Flat Washer 6	3	
14	89-1611-100042	Mini Hexagonal Nut M10	1	
13	89-1543-080002	Mini Hexagonal Nut (SW) M8	1	
12	89-1511-060042	Hexagonal Nut M6	1	
11	89-1211-100907	Mini Hexagonal Bolt M10*90	1	
10	89-1137-060122	Hexagonal Bolt (PW) M6*12	1	
9	83-1020-355-00	Thrust Washer 12*24*1.0	2	
8	0322-73900	Gas Spring Free Lock Type(FLC75- 60)	1	
7	0244-22600	Brake Rod Hanger Plate	1	
6	0244-11600	Turn Buckle (Pipe Type)	1	
5	0244-11500	Adjuster Rod (L)	1	
4	0244-11400	Adjuster Rod (R)	1	
3	0244-11300	Push Rod Receiver CMP	1	
2	0244-10500	Lock Pusher	1	
1	80-1484-354-10	Brake Rod Roller	1	
No	Parts Number	parts Name	Q'ty	Remark



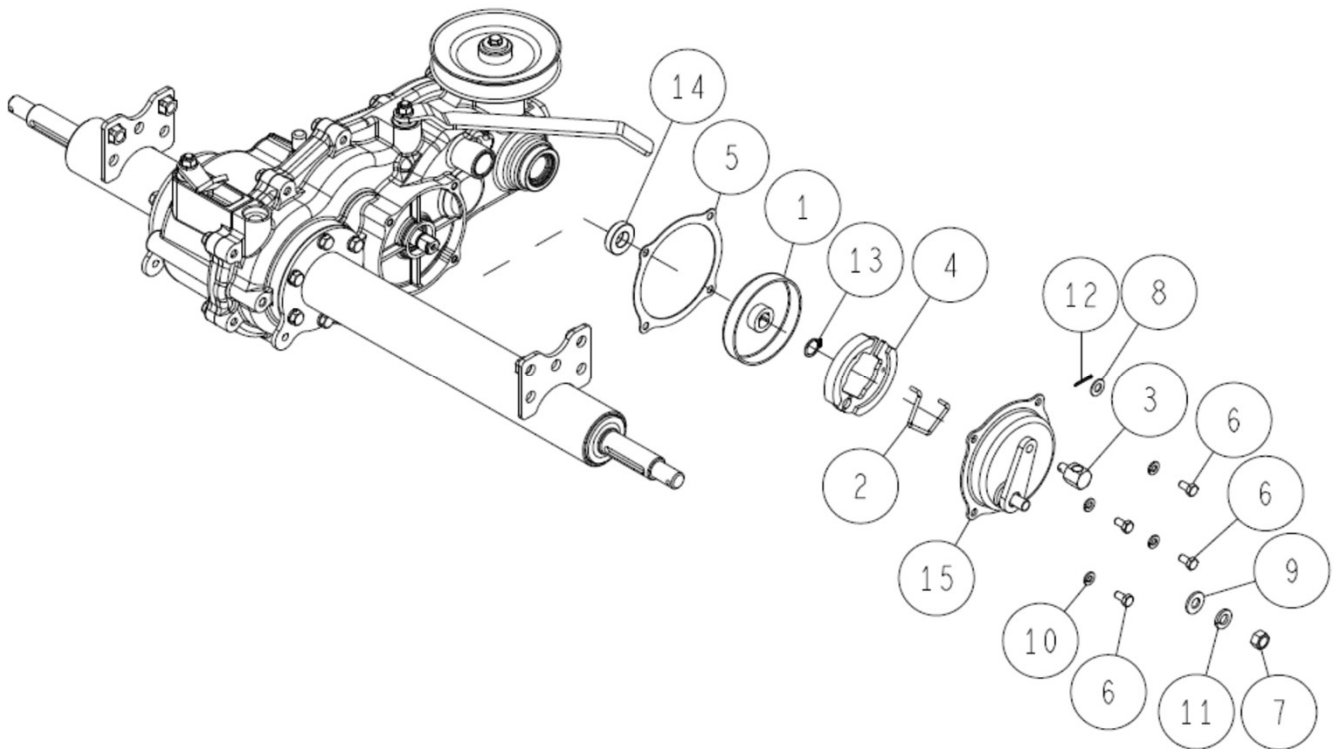
-	0244-11200	Push Rod	1	4, 21
22	89-2521-000120	E Type Ring 12	1	
21	89-2511-000130	Snap Ring (S13)	1	
20	89-2132-060002	Snap Pin 6 (with stopper)	3	
19	89-1711-060002	Flat Washer 6	3	
18	89-1631-080042	Flange Mini Hexagonal Nut M8	1	
17	89-1233-080202	Mini Hexagonal Bolt (PWSW) M8*20	4	
16	89-1132-060162	Hexagonal Bolt (SW) M6*16	2	
15	83-1415-975-00	Grease Nipple M6	1	
14	0342-10100	Connecting Shaft Stay	4	
13	0341-2010H	Frame CMP (Metallic Grey)	1	
12	0341-1051H	Connecting Shaft CMP	1	
11	0322-75210	Knife Brake Wire	1	
10	0322-75110	Knife Clutch Wire	1	
9	0322-1340H	Knife Clutch Lever CMP (Metallic Grey)	1	
8	0322-13300	Safety Switch Setting Plate	1	
7	0289-71300	Arm Grip (Red)	1	
6	0244-70200	Adjusting Shaft Grip	1	
5	0244-13700	Wire Joint CMP	1	
4	0244-10600	Push Rod	1	
3	0207-74400	Safety Switch K17850	2	
2	0207-72800	Switch Lock Nut	2	
1	80-1792-988-00	Harness Clip 8	2	
No	Parts Number	parts Name	Q'ty	Remark



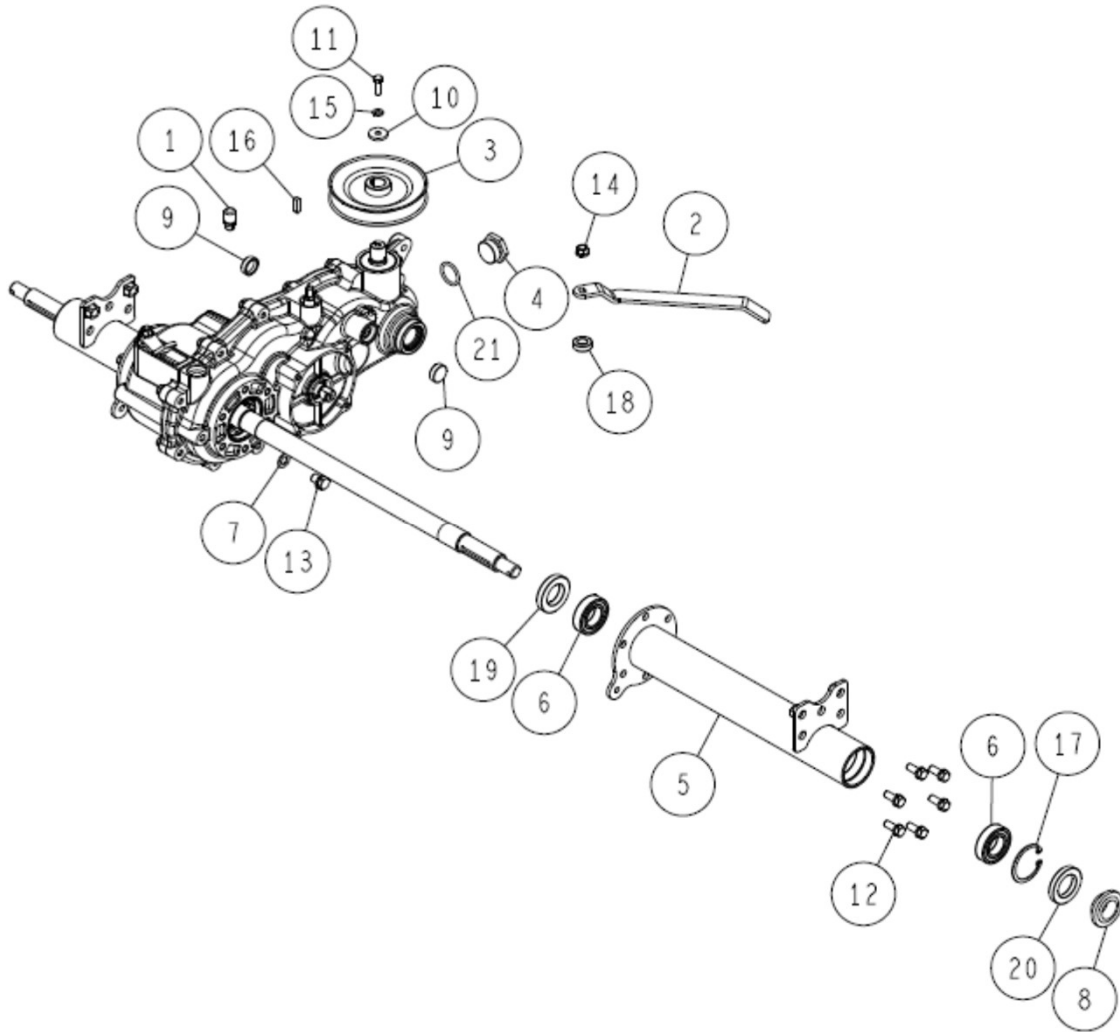
18	89-2150-070500	Key 7*50 (round)	2	
17	89-2120-350352	Split Pin 3.5*35	2	
16	89-1750-160002	Spring Washer 16	2	
15	89-1750-080002	Spring Washer 8	1	
14	89-1658-160042	Low Castle Nut (2 sorts) M16	2	
13	89-1631-080042	Flange Mini Hexagonal Nut M8	3	
12	89-1561-080002	Mini Hexagonal U Nut M8	1	
11	89-1233-080202	Mini Hexagonal Bolt (PWSW) M8*20	1	
10	89-1211-080352	Mini Hexagonal Bolt M8*35	1	
9	83-1630-335-00	Washer 16*40*4.5	2	
8	0322-0150H	Transmission Hunger Stay CMP (Metallic Grey)	1	
7	0284-34000	Rear Tire (R) ASSY (16×7.00-8) (Include Wheel Boss)	1	詳細 P32
6	0284-33000	Rear Tire (L) ASSY (16×7.00-9) (Include Wheel Boss)	1	詳細 P32
5	0244-83200	Mini Hexagonal Bolt (PWSW) M10*25 (7T Lock)	4	
4	0207-77800	Wheel Boss Dust Seal	2	
3	0207-0740H	Fan Cover Stay CMP (Metallic Grey)	1	
2	0207-0720H	Fan Cover (Metallic Grey)	1	
1	80-1425-551-00	Differential Lock Spring	1	
No	Parts Number	parts Name	Q'ty	Remark



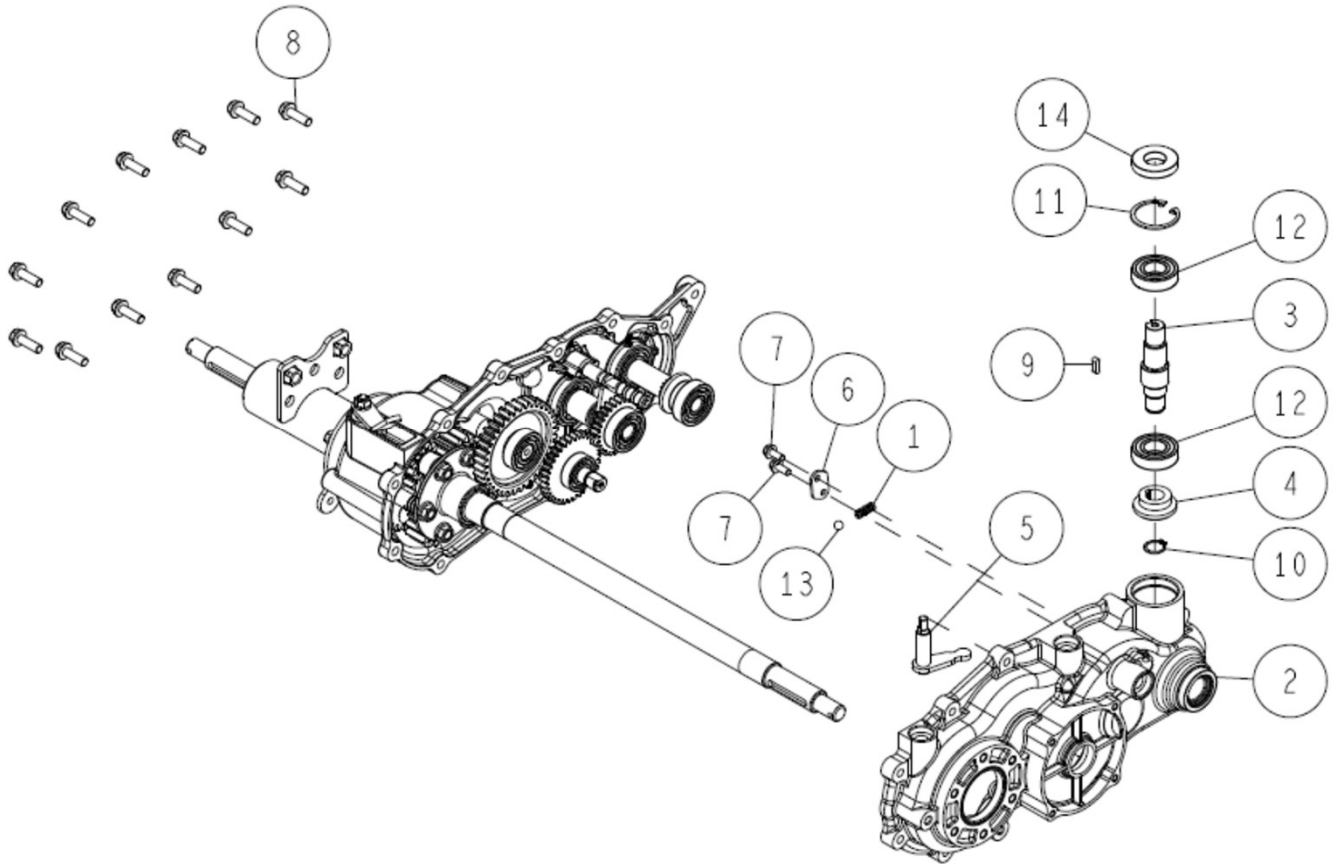
10	0322-09100	Transmission Assy	1	詳細 P17~
9	89-2150-050200	Key 5*20 (round)	1	
8	89-1750-080002	Spring Washer 8	2	
7	89-1251-081123	Flange Mini Hexagonal Bolt M8*112	2	
6	89-1235-080122	Mini Hexagonal Bolt (SW) M8*12	4	
5	89-1233-080202	Mini Hexagonal Bolt (PWSW) M8*20	2	
4	0348-09200	HST Unit (KYB)Assy (RM982)	1	詳細 P23
3	0207-07500	Fan	1	
2	0207-07300	Double Screw Bolt	2	
1	0207-0310H	Transmission Guard (Metallic Grey)	1	
No	Parts Number	parts Name	Q'ty	Remark



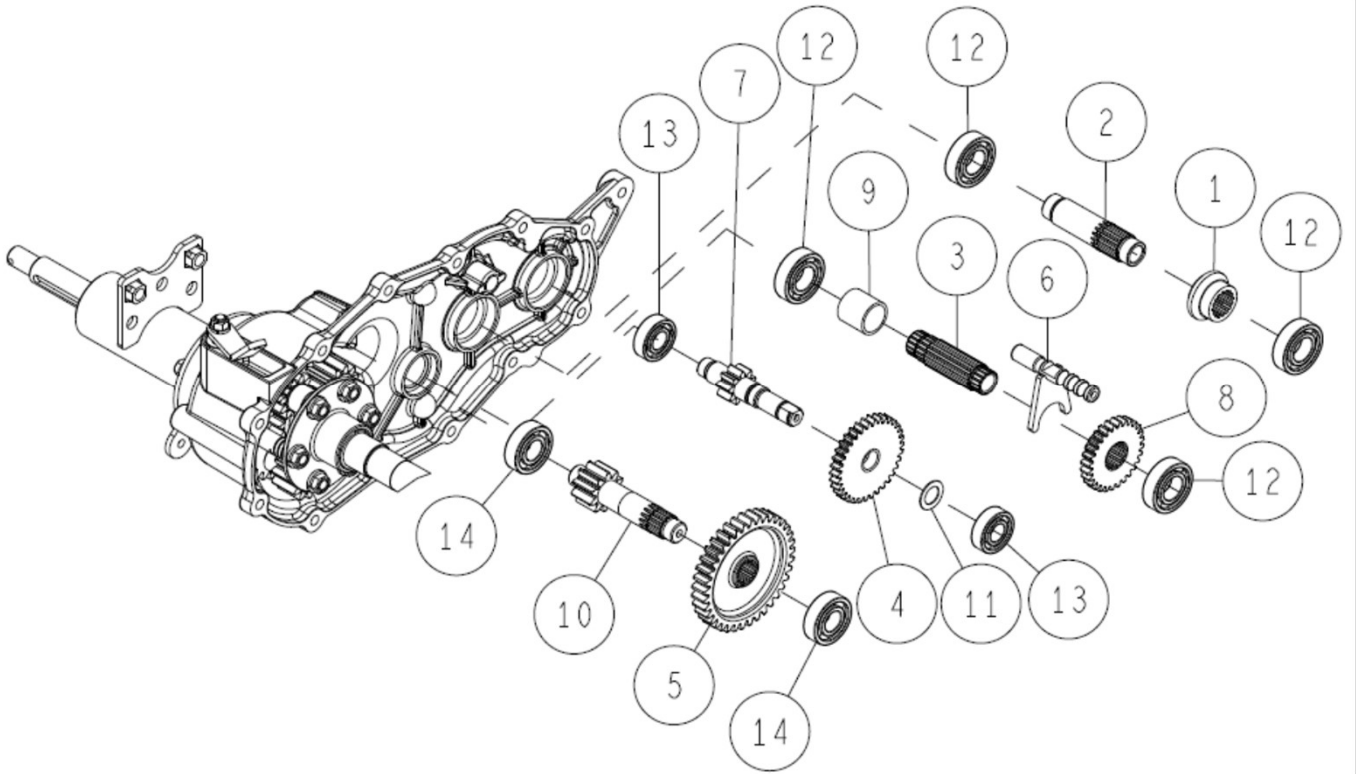
-	0207-73000	Brake Assy(with packing)	1	1、2、4、5、7、9、11、15
-	0207-73100	Brake Assy(without packing)	1	1、2、4、7、9、11、15
-	0207-73200	Brake Cap Assy	1	2、4、7、9、11、15
15	-	Brake Cap & Brake arm	1	※Only When supplying ASSY parts
14	89-5125-153007	Oil Seal UE 15.30.07F	1	
13	89-2511-000150	Snap Ring (S15)	1	
12	89-2120-200152	Split Pin 2*15	1	
11	89-1750-100002	Spring Washer 10	1	
10	89-1750-060002	Spring Washer 6	4	
9	89-1712-100000	Flat Washer 10	1	
8	89-1711-080002	Flat Washer 8	1	
7	89-1611-100042	Mini Hexagonal Nut M10	1	
6	89-1113-060122	Hexagonal Bolt (8T) M6*12	4	
5	0308-00300	Brake Cover PK (PA-7)	1	
4	0244-88100	Brake Shoe Set (PA-7)	1	
3	0207-10300	Brake Joint	1	
2	80-1030-285-00	Spring for Brake Shoe Return	1	
1	80-1030-282-00	Brake Drum (PA-7)	1	
No	Parts Number	parts Name	Q'ty	Remark



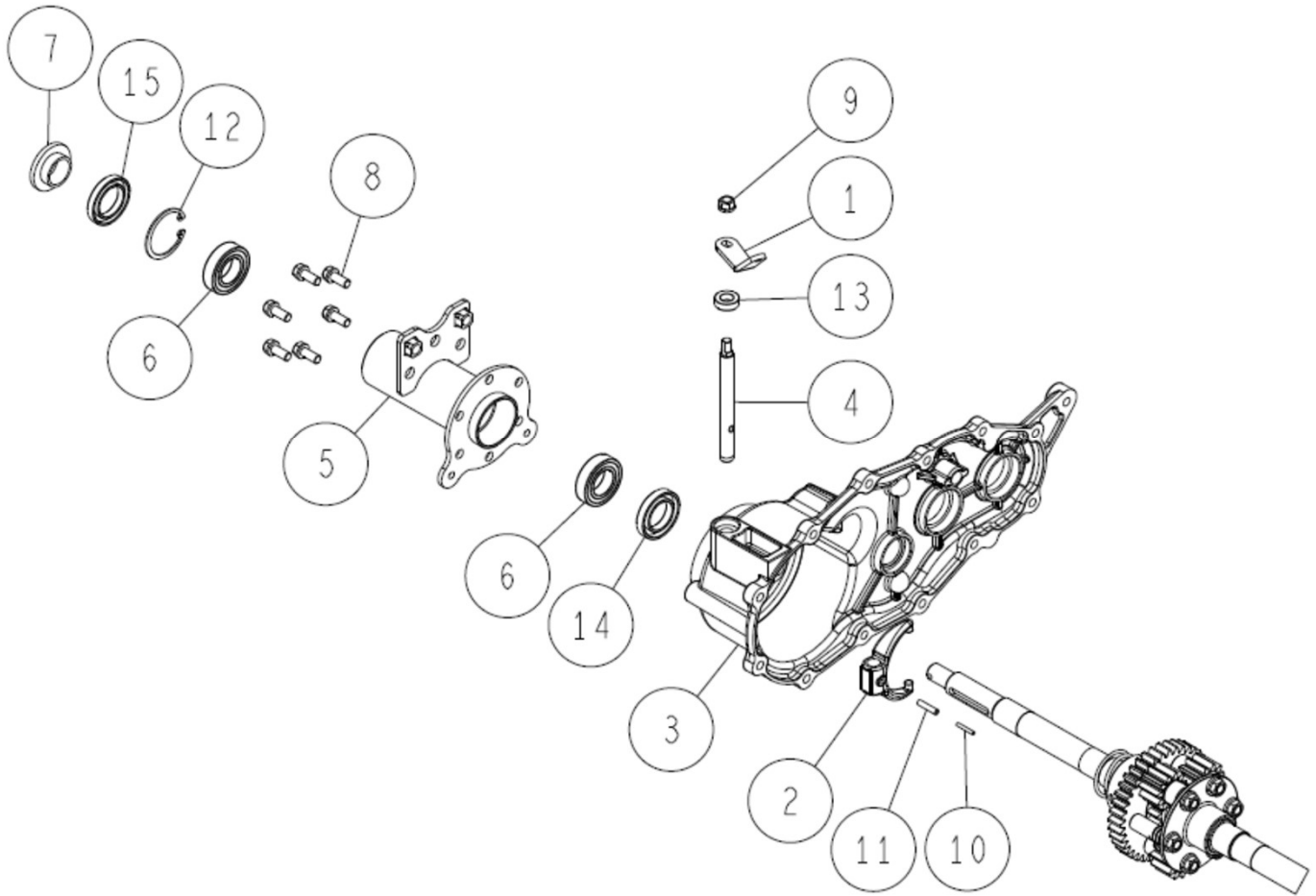
-	0289-01000	Mission oil plug ASSY	1	4、21
-	0244-08000	Oil Seal 25.47.15(with DP)	1	8、20
21	89-5221-024000	O Ring P24	1	
20	89-5121-304707	Oil Seal UE 30.47.7	1	
19	89-5121-284708	Oil Seal UE 28.47.8	1	
18	89-5121-122207	Oil Seal UE 12.22.7	1	
17	89-2512-000470	Snap Ring (R47)	1	
16	89-2151-050200	Key 5*20 (half round)	1	
15	89-1750-060002	Spring Washer 6	1	
14	89-1543-080002	Mini Hexagonal Nut (SW) M8	1	
13	89-1252-100122	Flange Mini Hexagonal Bolt M10*15(Fine thread)	1	
12	89-1232-080202	Mini Hexagonal Bolt (SW) M8*20	6	
11	89-1113-060202	Hexagonal Bolt (8T) M6* 20	1	
10	83-1482-311-00	Washer 6.5X22X3.2	1	
9	83-1415-671-00	Seal cap 22	2	
8	83-1415-663-00	Oil Seal DP 25.30.15	1	
7	83-1020-349-00	Copper packing 10	1	
6	0342-77800	Bearing 6005 2NSE-NB	2	
5	0322-0210H	Axle Case (L) CMP (Metallic Grey)	1	
4	0289-01100	Mission oil plug	1	
3	0284-4020H	Mission pulley (HI) (Metallic Grey)	1	
2	0215-0010H	Drive Clutch Arm (Metallic Grey)	1	
1	0207-06100	Air Bleeder	1	
No	Parts Number	parts Name	Q'ty	Remark



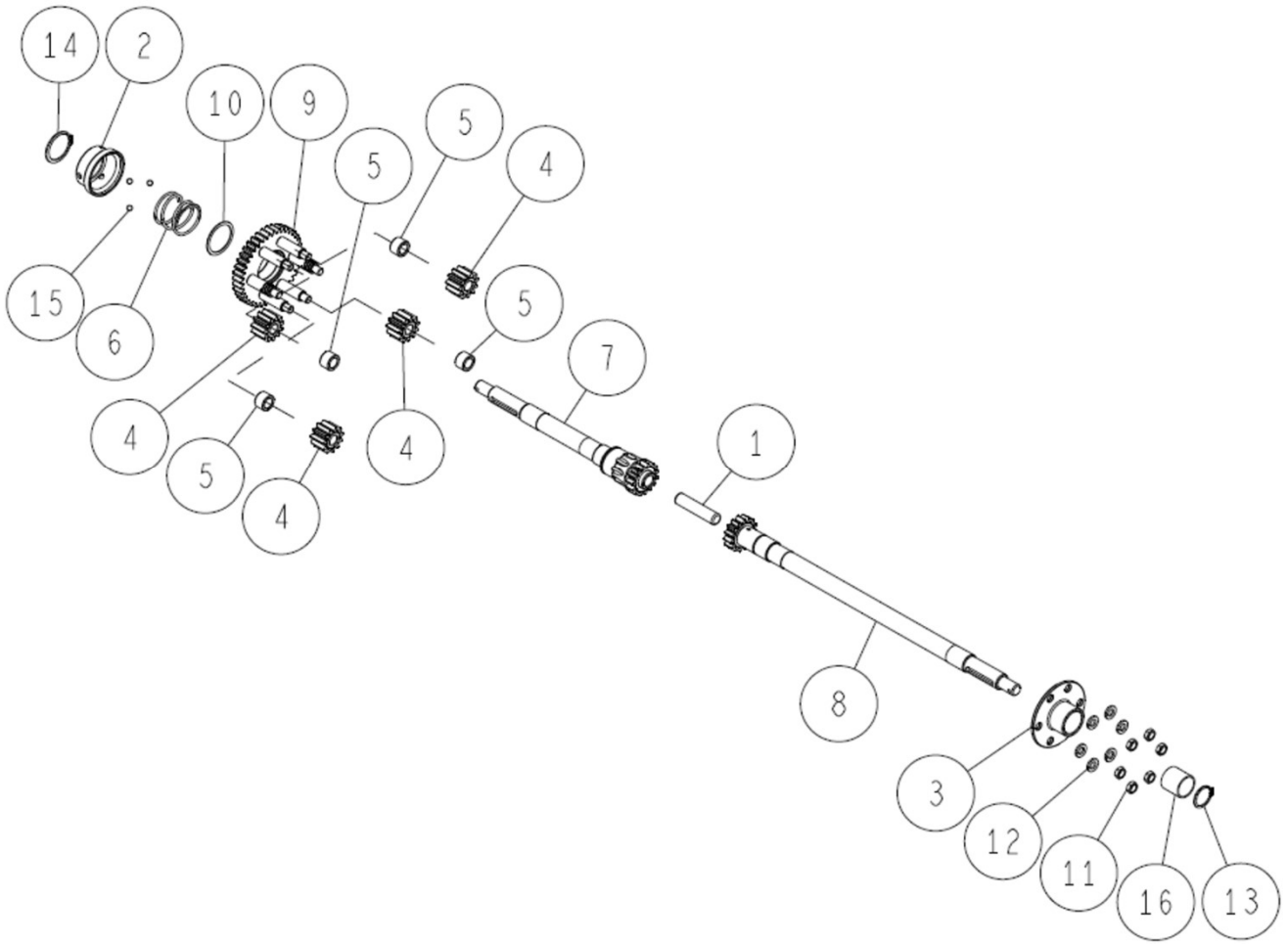
14	89-5121-204208	Oil Seal UE 20.42.8	1	
13	89-3410-080000	Steel Ball 8.0	1	
12	89-3115-060044	Bearing 6004 2RS	2	
11	89-2512-000420	Snap Ring (R42)	1	
10	89-2511-000170	Snap Ring (S17)	1	
9	89-2150-050160	Key 5*16 (round)	1	
8	83-1482-143-00	Tapping Bolt M8*25	12	
7	83-1020-148-00	Tapping Bolt M6*14	2	
6	0207-01900	Shift Spring Holder	1	
5	0207-01700	Swing Arm CMP	1	
4	0207-00400	20T Spiral Miter Gear(L)	1	
3	0207-00300	A Axle	1	
2	0207-00100	Transmission Case(L)	1	
1	80-1310-138-00	Spring 1.4	1	
No	Parts Number	parts Name	Q'ty	Remark



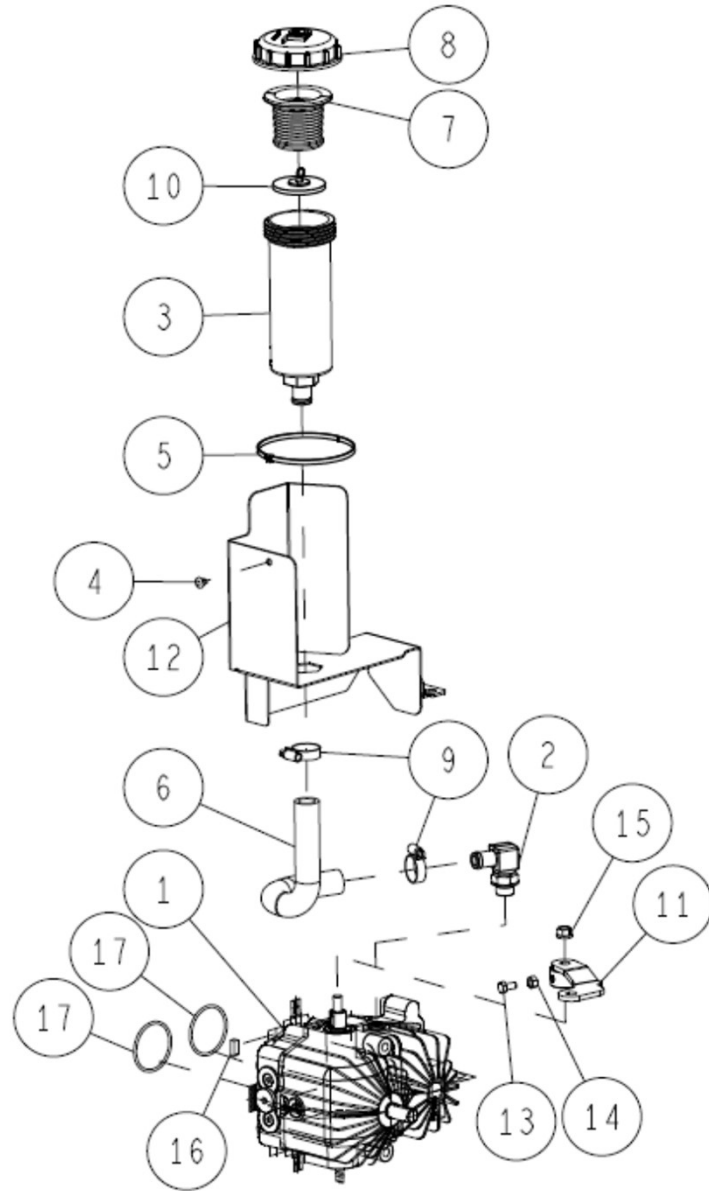
14	89-3111-062034	Bearing 6203	2	
13	89-3111-062024	Bearing 6202	2	
12	89-3111-060044	Bearing 6004	4	
11	83-1020-361-00	Thrust Washer 15*24*1.0	1	
10	0244-00400	D Axle	1	
9	0215-00500	C Axle Collar 26	1	
8	0215-00400	Shift Gear 28	1	
7	0215-00300	Brake Shaft	1	
6	0207-01600	Shift Fork Shaft CMP	1	
5	0207-01400	D Axle 37T Gear	1	
4	0207-01310	Brake Shaft 34T Gear	1	
3	0207-00700	C Axle	1	
2	0207-00600	B Axle	1	
1	0207-00500	20T Spiral Miter Gear(R)	1	
No	Parts Number	parts Name	Q'ty	Remark



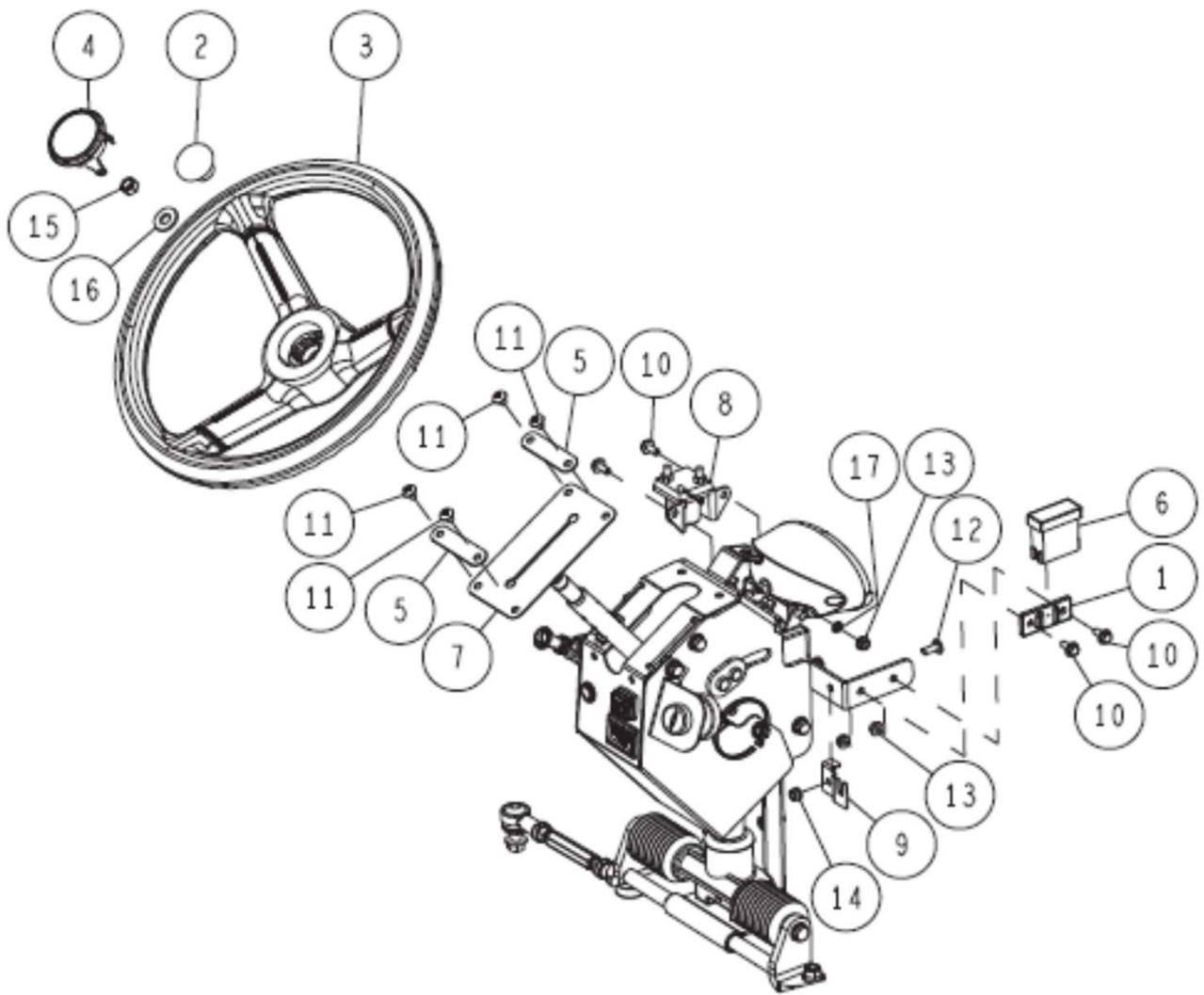
-	0244-08000	Oil Seal 25.47.15(with DP)	1	7、15
15	89-5121-304707	Oil Seal UE 30.47.7	1	
14	89-5121-284708	Oil Seal UE 28.47.8	1	
13	89-5121-122207	Oil Seal UE 12.22.7	1	
12	89-2512-000470	Snap Ring (R47)	1	
11	89-2111-050022	Spring Pin 5*22	1	
10	89-2111-030020	Spring Pin 3*20	1	
9	89-1543-080002	Mini Hexagonal Nut (SW) M8	1	
8	89-1232-080202	Mini Hexagonal Bolt (SW) M8*20	6	
7	83-1415-663-00	Oil Seal DP 25.30.15	1	
6	0342-77800	Bearing 6005 2NSE-NB	2	
5	0322-0220H	Axle Case (R) CMP (Metallic Grey)	1	
4	0207-01800	Differential Lock Fork Shaft	1	
3	0207-00200	Transmission Case(R)	1	
2	80-1830-113-00	Differential Lock Fork	1	
1	80-1488-153-00	Differential Lock Arm	1	
No	Parts Number	parts Name	Q'ty	Remark



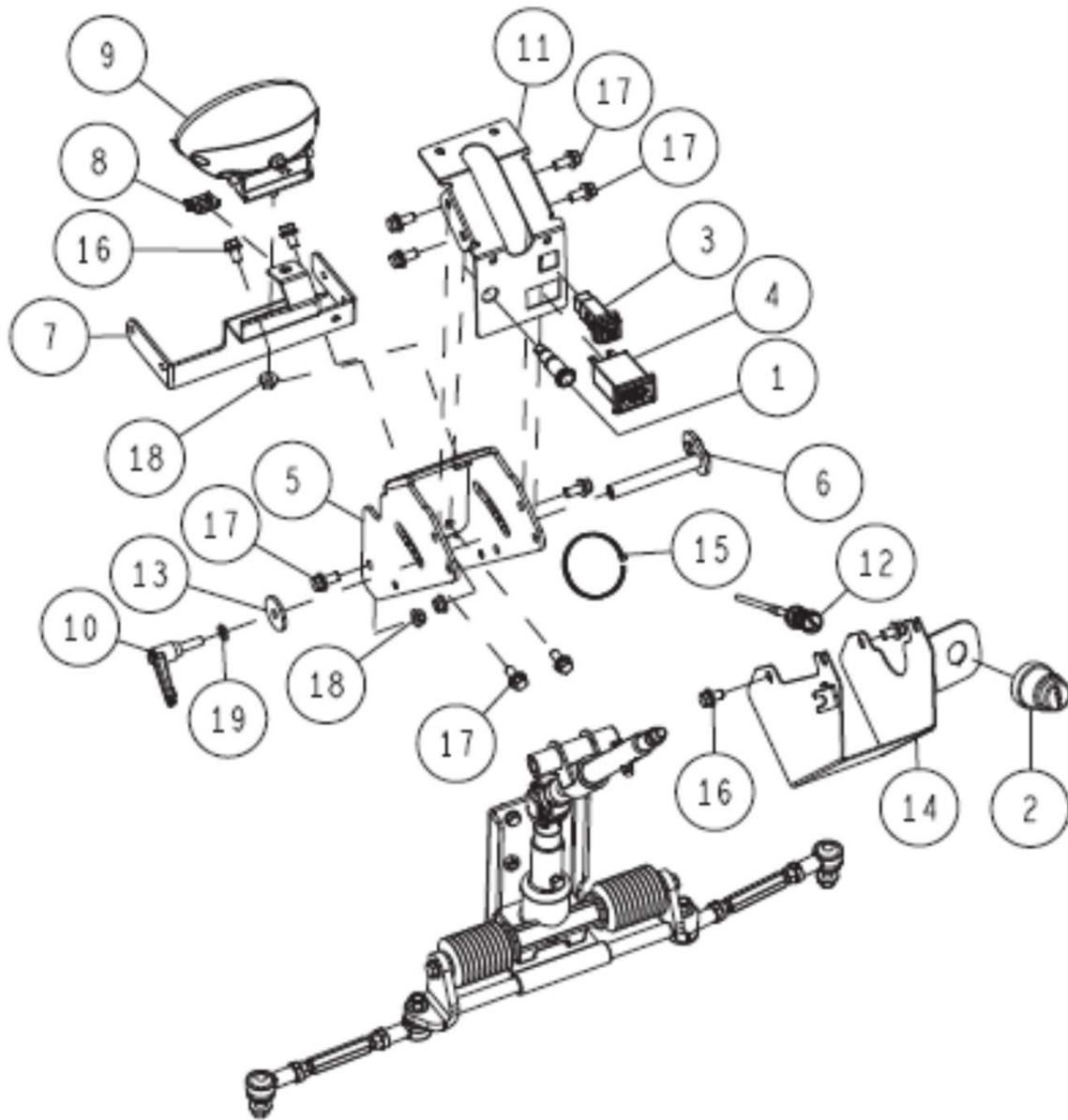
16	89-3510-028300	DU Bush 28.30	1	
15	89-3410-075000	Steel Ball 7.5	3	
14	89-2511-000400	Snap Ring (S40)	1	
13	89-2511-000280	Snap Ring (S28)	1	
12	89-1750-100002	Spring Washer 10	6	
11	89-1613-100042	Mini Hexagonal Nut (3 sorts) M10	6	
10	83-1830-382-00	Thrust Washer 40*48*1.0	1	
9	0244-00300	Axle Gear 39T CMP	1	
8	0215-00900	Axle (L) CMP	1	
7	0215-00800	Axle (R) CMP	1	
6	80-1751-162-00	Differential Lock Spring	1	
5	80-1481-155-00	Differential Gear Shaft Collar	4	
4	80-1481-152-00	Differential Lock Gear 11T	4	
3	80-1481-151-00	Differential Lock Plate	1	
2	80-1425-143-00	Differential Lock Cone	1	
1	80-1415-150-00	Axle Pin	1	
No	Parts Number	parts Name	Q'ty	Remark



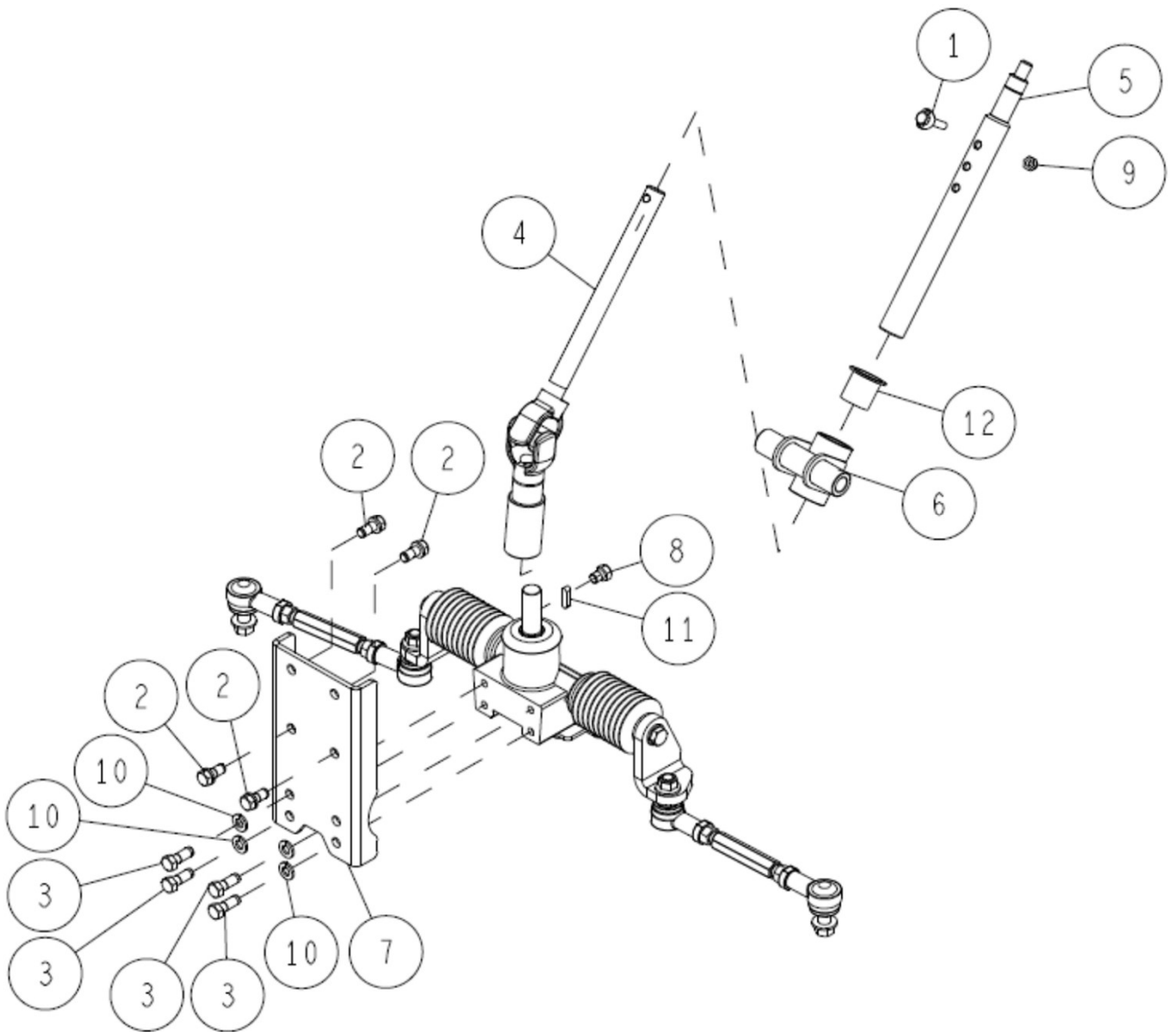
-	0322-01600	HST Oil Tank Assy (Black Cap)	1	3、7、8
17	89-5222-045000	O Ring G45	2	
16	89-2151-050160	Key 5*16 (half round)	1	
15	89-1543-080002	Mini Hexagonal Nut (SW) M8	1	
14	89-1511-060042	Hexagonal Nut M6	1	
13	89-1113-060122	Hexagonal Bolt (8T) M6*12	1	
12	0348-00201	HST Oil Tank Stay CMP (White)	1	
11	0348-0010H	Control Arm CMP (Metallic Grey)	1	
10	0322-71600	Moisture Adsorption Sheet	1	
9	0312-74400	Hose Band 16-25	2	
8	0312-01800	HST Oil Tank Cap (Black)	1	
7	0289-71200	Waterproof Packing	1	
6	0244-72700	HST Oil Hose	1	
5	0227-74200	Wire Band 300	1	
4	0207-79800	Push Clip	1	
3	0207-08610	HST Oil Tank (without Tank Cap)	1	
2	0207-07700	Port Joint	1	
1	-	HST Unit	1	※Supply is for HST unit ASSY only. Refer to P17.
No	Parts Number	parts Name	Q'ty	Remark



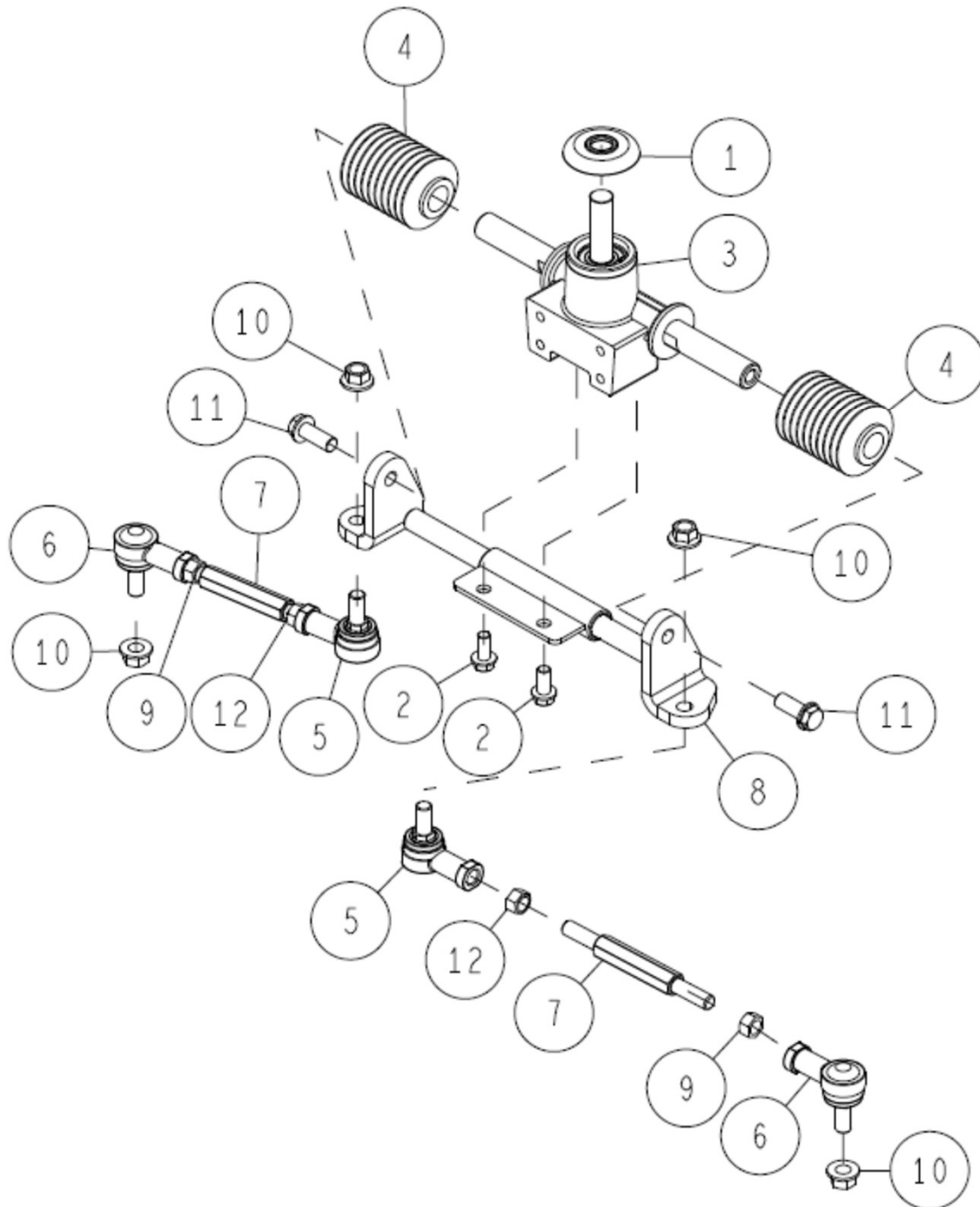
-	0262-70100	Steering Wheel Assy	1	2、3、4
17	89-1812-060002	Toothed washer (inside) 6	1	
16	89-1713-100002	Flat Washer 10 (Large)	1	
15	89-1561-100002	Mini Hexagonal U Nut M10	1	
14	89-1541-060002	Hexagonal Nut (SW) M6	1	
13	89-1531-060042	Flange Nut M6	4	
12	89-1390-060162	Welded Bolt M6*16	1	
11	89-1159-060108	Truss Mini Screw M6*10	4	
10	89-1137-060152	Hexagonal Bolt (PW) M6*15	5	
9	0348-14700	Fuse Box Bracket	1	
8	0322-73000	Magnet Switch Set	1	
7	0322-11500	Meter Panel Cover	1	白色ゴム
6	0312-77900	Fuse Box Cover	1	※蓋のみ
5	0312-11701	Handle Stay Cover Holder (White)	2	
4	0262-70500	Steering Cap	1	
3	0262-70400	Steering Wheel	1	
2	0262-70300	Sub Handle Assy	1	
1	0207-79200	Fuse Box Bracket	1	
No	Parts Number	parts Name	Q'ty	Remark



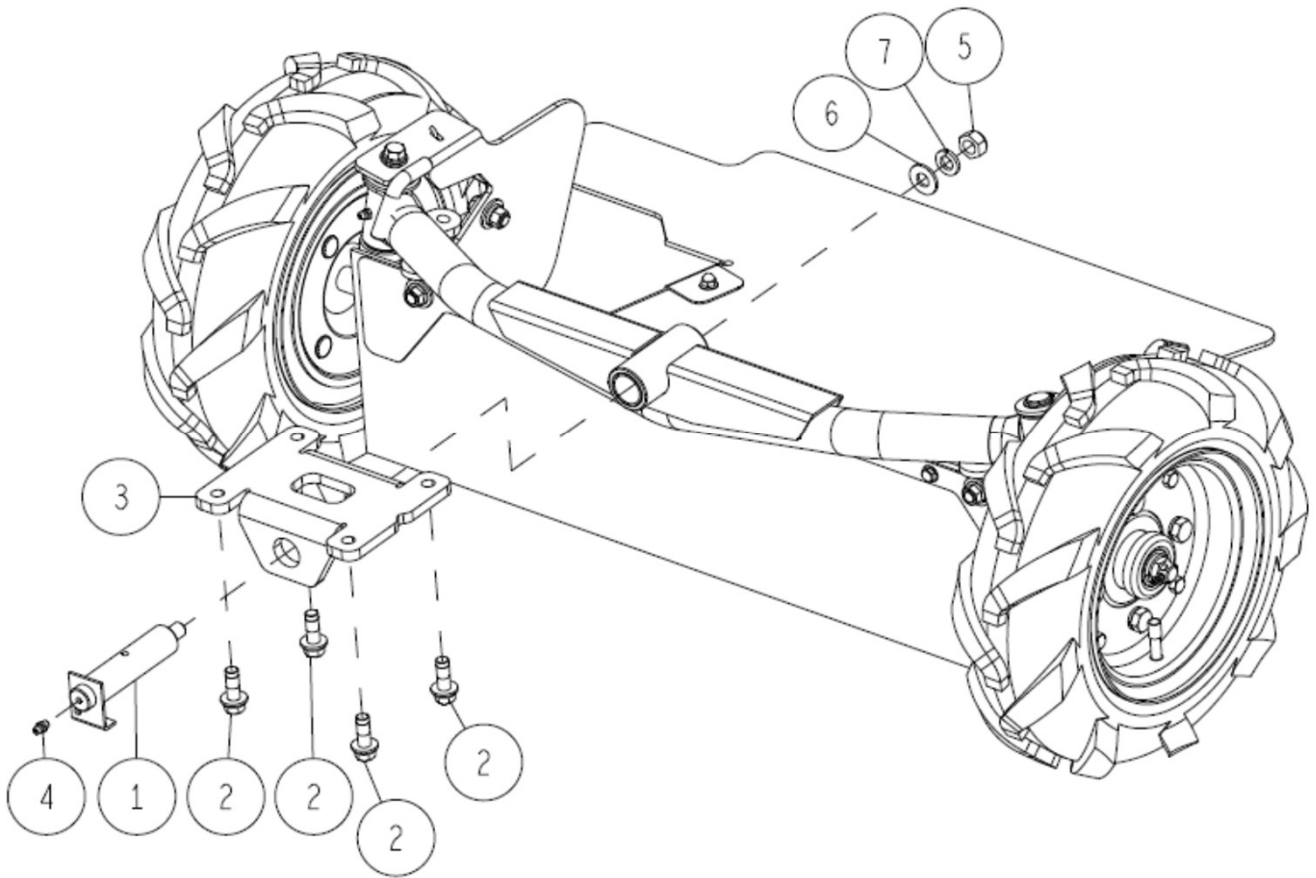
19	89-1750-080002	Spring Washer 8	1	
18	89-1631-080042	Flange Mini Hexagonal Nut M8	3	
17	89-1233-080202	Mini Hexagonal Bolt (PWSW) M8*20	8	
16	89-1233-080162	Mini Hexagonal Bolt (PWSW) M8*16	4	
15	83-1711-719-00	Wire Band 200L	1	
14	0348-14201	Harness Panel CMP (White)	1	
13	0348-10700	Flat Washer 9*35*3.2	1	
12	0341-71100	Choke Wire	1	
11	0341-1410G	Meter Panel CMP (Green)	1	
10	0322-71400	Cramp Lever 8*25	1	
9	0322-71300	Head Lamp	1	
8	0322-71100	Clip ϕ 6	1	
7	0322-11701	Head Lamp Stay (White)	1	
6	0322-11100	Tilt Pin CMP	1	
5	0322-10511	Handle Stay CMP (White)	1	
4	0244-73600	Hour Meter	1	
3	0244-70300	Lighting Switch	1	
2	0207-79700	Key Switch (NMA03-A020)	1	
1	0207-79300	Pilot Lamp	1	
No	Parts Number	parts Name	Q'ty	Remark



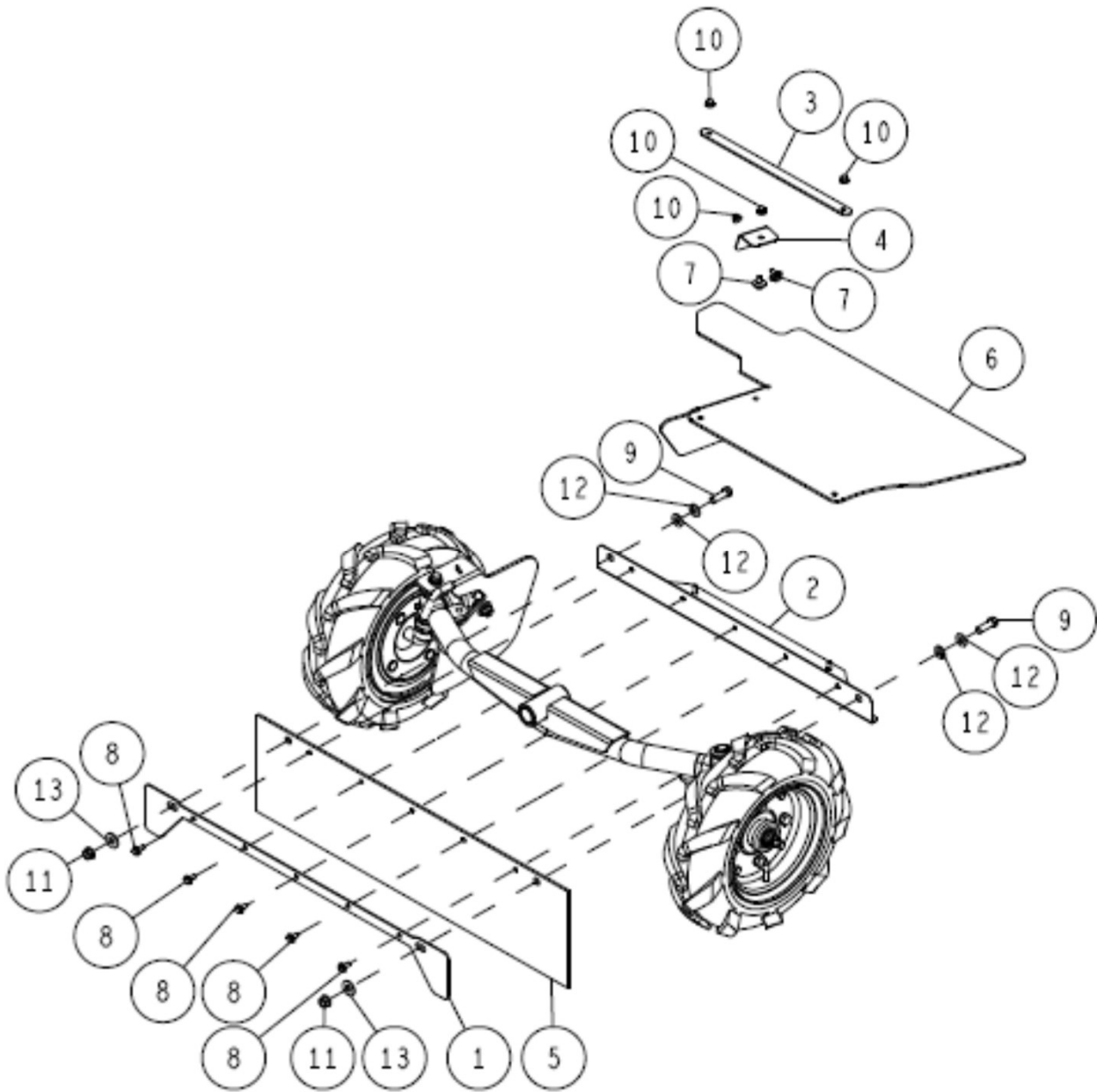
-	0342-77600	Upper Shaft Fixing Set (Bolt and Unut)	1	1、9
12	89-3511-022250	DU Bush 22.25.33F	1	
11	89-2150-050200	Key 5*20 (round)	1	
10	89-1750-080002	Spring Washer 8	4	
9	89-1553-060002	Bag Hexagonal U Nut M6	1	
8	0322-11610	Mini Hexagonal Bolt (7T) M8*10 (Meck)	1	
7	0322-1080H	Steering Gear Box Bracket CMP (Metallic Grey)	1	
6	0322-10701	Handle Support CMP (White)	1	
5	0322-10210	Steering Upper Shaft CMP	1	
4	0322-10110	Steering Joint Shaft CMP	1	
3	0314-70100	Mini Hexagonal Bolt (Meck) M8*22	4	
2	0245-74310	Hexagonal Bolt(SW) M8*18 (Meck)	4	
1	0244-75800	Bolt for Upper Shaft Setting	1	
No	Parts Number	parts Name	Q'ty	Remark



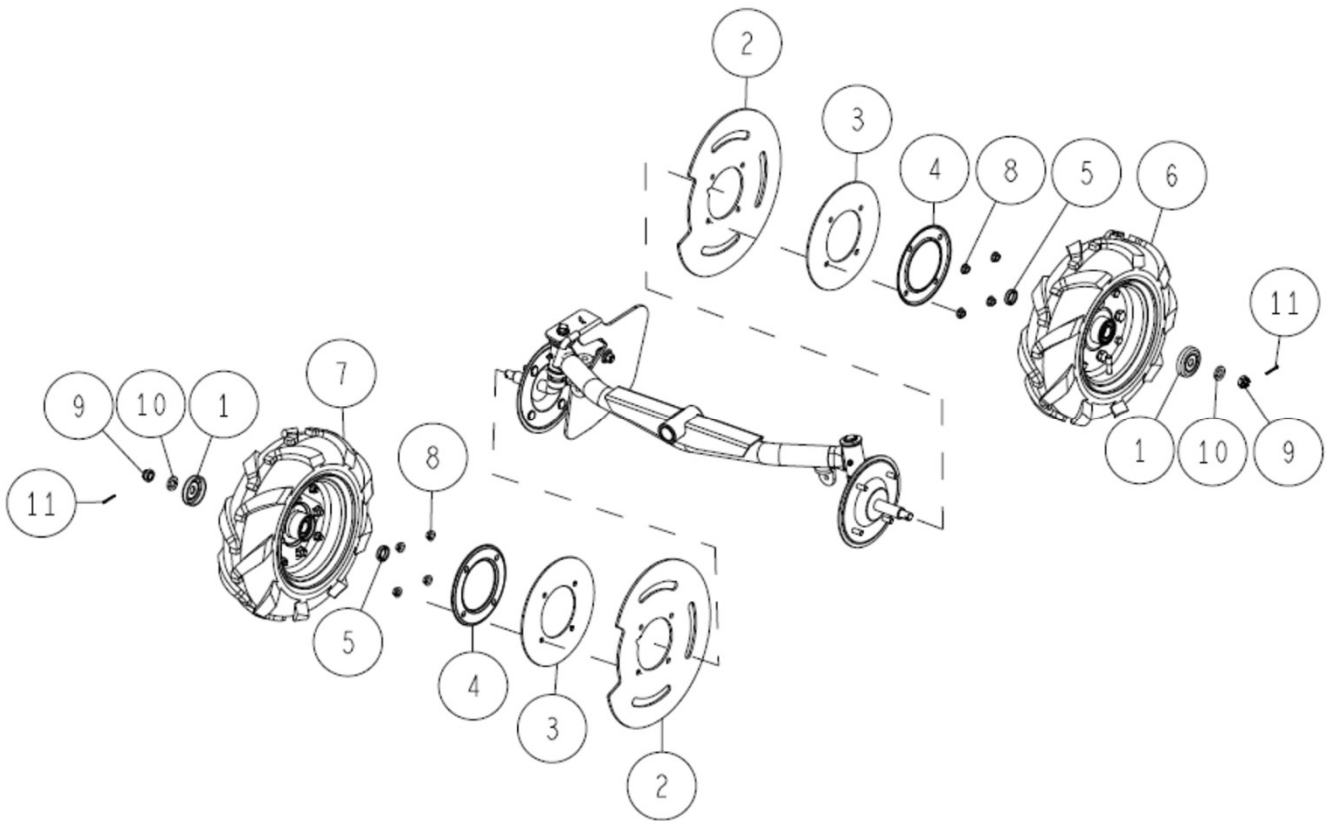
-	0207-13000	Tie Rod Adjuster Assy	2	5、6、7、9、12
12	89-1612-100042	Mini Hexagonal Nut (Slender) M10	2	
11	89-1254-100252	Flange Mini Hexagonal Bolt M10*25 P=1.25	2	
10	83-1493-255-00	Flange Lock Nut M10 (slender)	4	
9	83-1493-195-00	Hexagonal Nut (slender) M10 Left	2	
8	0322-1060H	Rack Support CMP (RM881) (Metallic Grey)	1	
7	0207-13100	Tie Rod Adjuster	2	
6	80-1493-963-00	Link Ball LHSA 10DLE21	2	※首部にLの刻印あり
5	80-1493-962-00	Link Ball LHSA 10DE21	2	
4	80-1490-967-00	Steering Boots	2	
3	80-1484-962-10	Steering Gear Box Assy	1	
2	80-1020-719-00	Hexagonal Tap Tight M8*18	2	
1	80-1016-461-00	Bearing Cover	1	
No	Parts Number	parts Name	Q'ty	Remark



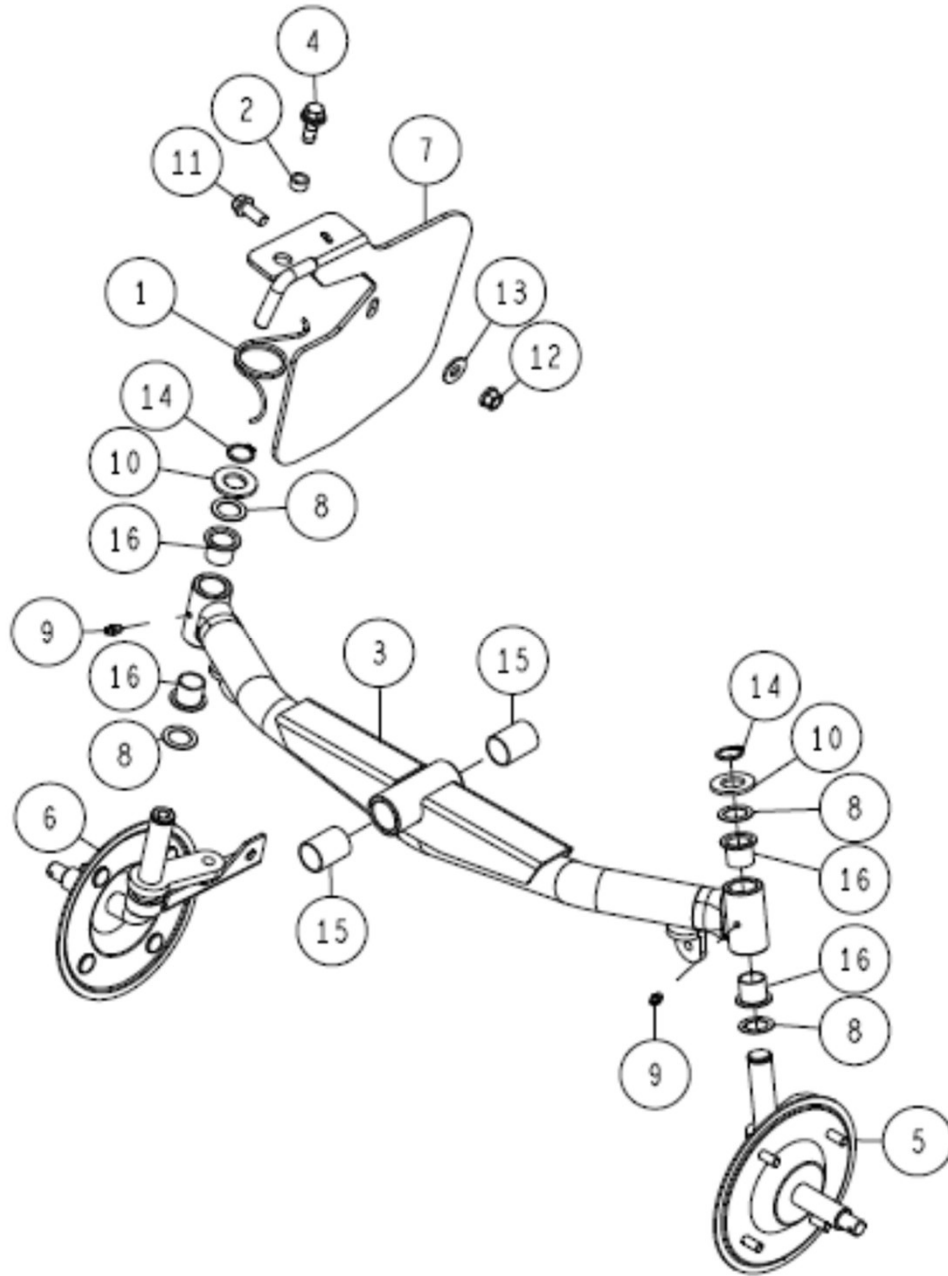
7	89-1750-120002	Spring Washer 12	1	
6	89-1713-120002	Flat Washer 12 (Large)	1	
5	89-1551-120002	Hexagonal U Nut M12	1	
4	83-1415-975-00	Grease Nipple M6	1	
3	0322-3030H	Front Axle Holder (881) (Metallic Grey)	1	
2	0312-74300	Hexagonal Bolt (7T-SW.PW) M10*30 (Meck)	4	
1	0207-30700	Center Pin	1	
No	Parts Number	parts Name	Q'ty	Remark



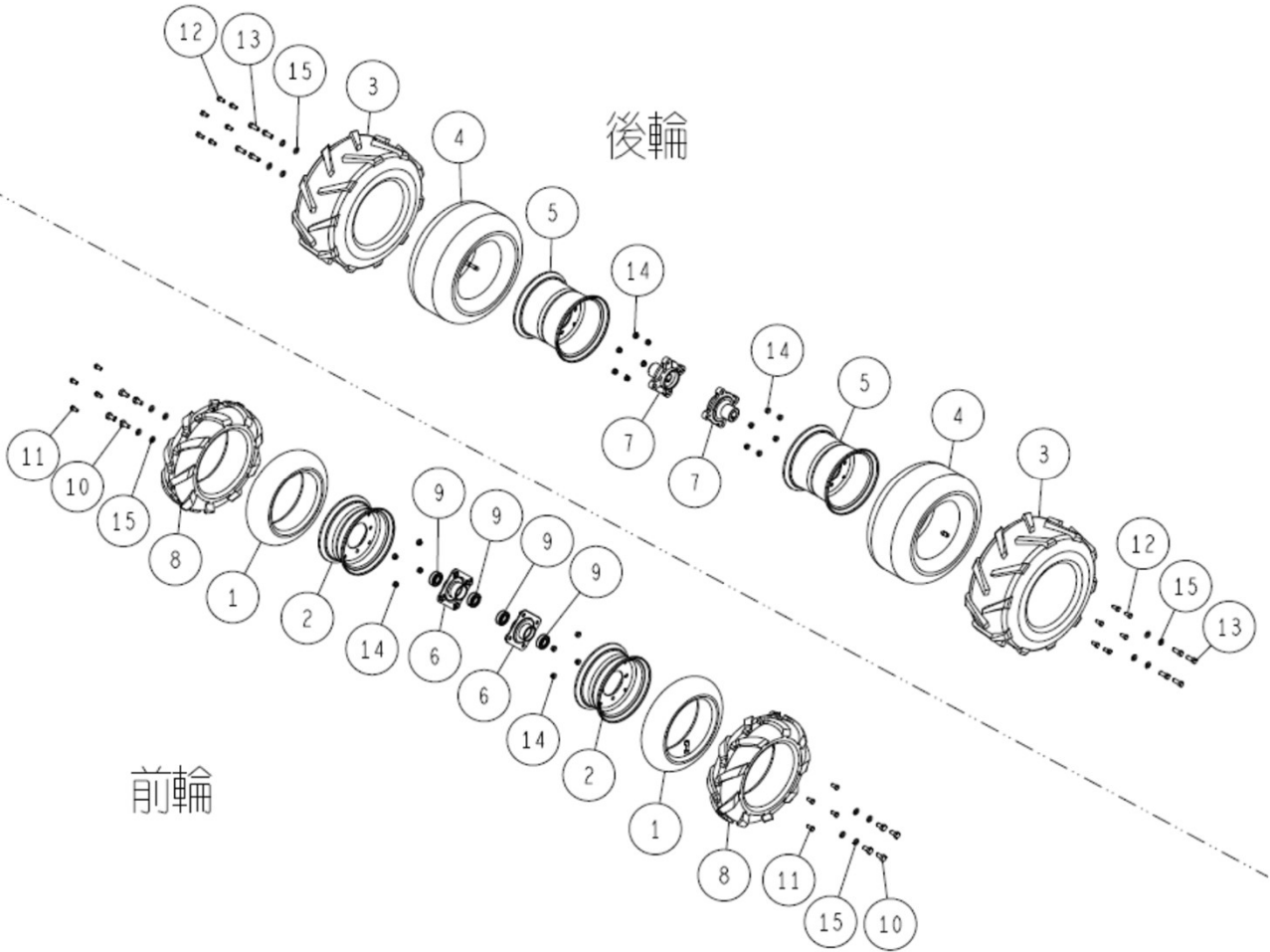
13	89-1713-100002	Flat Washer 10 (Large)	2	
12	89-1712-100002	Flat Washer 10*21*2.1	4	
11	89-1631-100042	Flange Mini Hexagonal Nut M10	2	
10	89-1581-060042	Flange Cap Nut M6	4	
9	89-1213-100302	Mini Hexagonal Bolt (8T) M10*30	2	
8	89-1137-060152	Hexagonal Bolt (PW) M6*15	5	
7	83-1565-111-00	Hexagonal Bolt (with Big Washer) M6*16	2	
6	0341-30100	Upper Flapper	1	
5	0329-33400	Front Flapper (RMK150)	1	
4	0322-31500	Upper Flapper Holder (R)	1	
3	0322-3130H	Upper Flapper Holder (Metallic Grey)	1	
2	0322-3110H	Front Upper Flapper Guard CMP (Metallic Grey)	1	
1	0312-3350H	Front Flapper Holder (Metallic Grey)	1	
No	Parts Number	parts Name	Q'ty	Remark



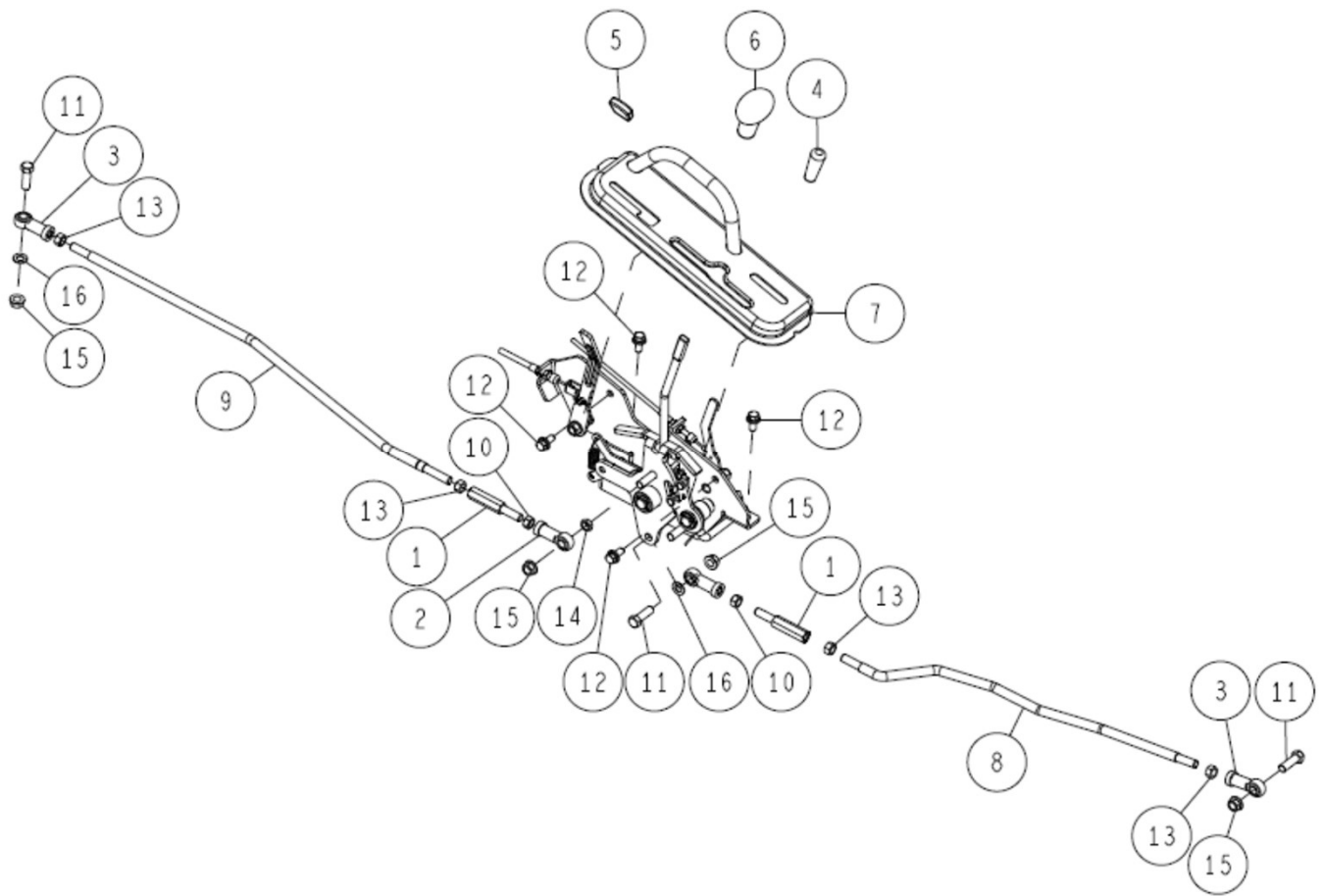
11	89-2120-250252	Split Pin 2.5*25	2	
10	89-1750-140002	Spring Washer 14	2	
9	89-1668-140042	Mini Low Castle Nut (2 sorts) M14	2	
8	89-1631-080042	Flange Mini Hexagonal Nut M8	8	
7	0322-33000	Front Tire (R) ASSY (3.50-7 TA) (Include Wheel Boss)	1	詳細 P32
6	0322-32000	Front Tire (L) ASSY (3.50-7 TA) (Include Wheel Boss)	1	詳細 P32
5	0207-31100	King Pin Collar	2	
4	0207-30900	Front Wheel Rubber Cover Support	2	
3	0207-30800	Front Wheel Rubber Cover (IN) for 7inch	2	
2	0207-30600	Front Wheel Rubber Cover	2	
1	0207-30500	Front Wheel Dust Cover	2	
No	Parts Number	parts Name	Q'ty	Remark



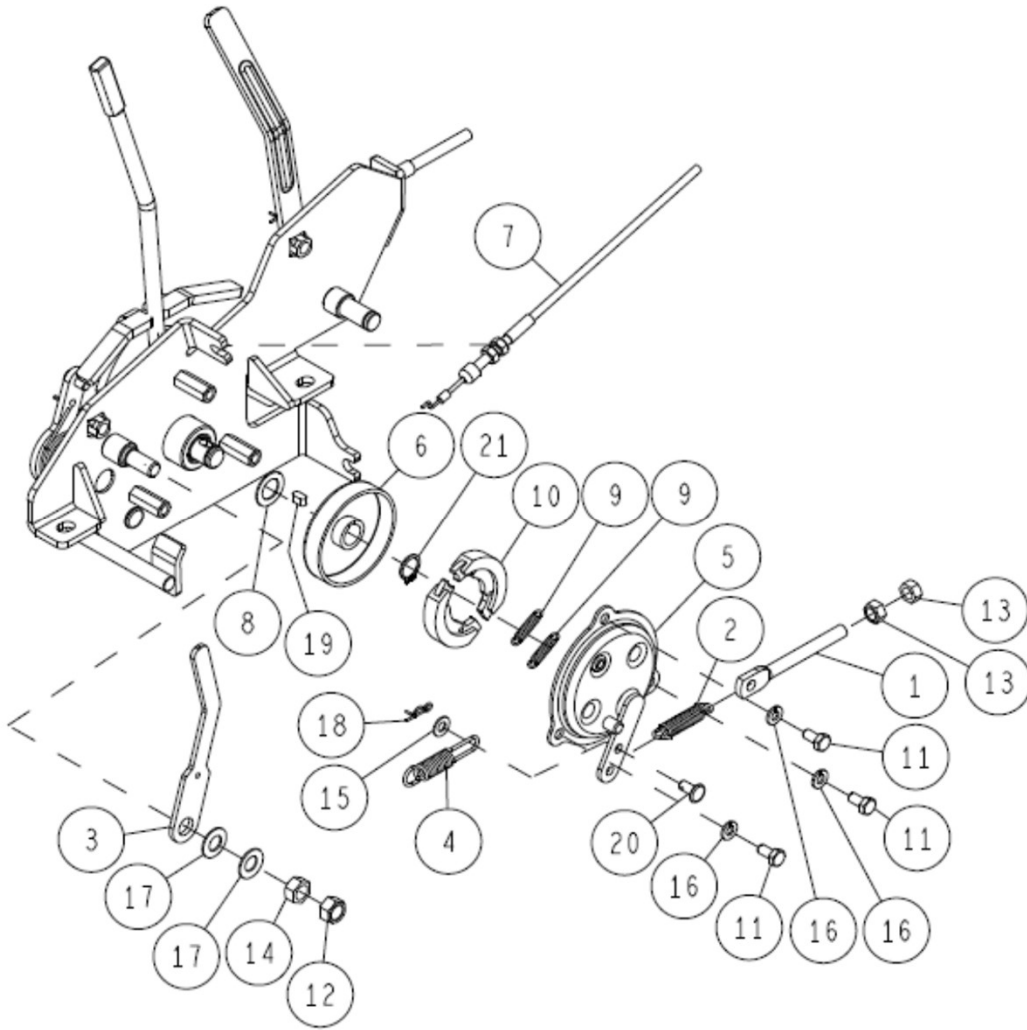
16	89-3511-020200	DU Bush 20.20.31F	4	
15	89-3510-025350	DU Bush 25.35	2	
14	89-2511-000200	Snap Ring (S20)	2	
13	89-1713-100002	Flat Washer 10 (Large)	1	
12	89-1543-100002	Mini Hexagonal Nut (SW) M10	1	
11	89-1232-100252	Mini Hexagonal Bolt (SW) M10*25	1	
10	83-1490-337-00	Washer 20*38*3.2	2	
9	83-1415-975-00	Grease Nipple M6	2	
8	83-1310-371-00	Thrust Washer 20*30*1.0	4	
7	0341-3120H	Guard CMP (Metallic Grey)	1	
6	0341-3110H	King Pin Right CMP (Metallic Grey)	1	
5	0322-3020H	King Pin Left CMP (Metallic Grey)	1	
4	0312-74300	Hexagonal Bolt (7T-SW.PW) M10*30 (Meck)	1	
3	0312-3210H	Front Axle CMP (Metallic Grey)	1	
2	0259-30600	Protector Collar	1	
1	0259-30500	Protector Return Spring	1	
No	Parts Number	parts Name	Q'ty	Remark



-	0322-35000	Tire Assy (R) 3.50-7 (TA)	1	1、2、8、12、14
-	0322-34000	Tire Assy (L) 3.50-7 (TA)	1	1、2、8、12、14
-	80-1751-412-00	Tire (R) Assy (16*7.00-8)	1	3、4、5、13、14
-	80-1751-411-00	Tire (L) Assy (16*7.00-8)	1	3、4、5、13、14
15	89-1750-100002	Spring Washer 10	16	
14	89-1543-080002	Mini Hexagonal Nut (SW) M8	20	
13	89-1213-100252	Mini Hexagonal Bolt (8T) M10*25	8	
12	89-1213-080162	Mini Hexagonal Bolt (8T) M8*16	12	
11	89-1211-080162	Mini Hexagonal Bolt M8*16	8	
10	89-1113-100202	Hexagonal Bolt (8T) M10*20	8	
9	0342-77700	Bearing 6004 2NSE-NB	4	
8	0322-32100	Tire 3.50-7 (TA)	2	
7	0215-30101	Rear Wheel Boss (White)	2	
6	0207-30411	Front Wheel Boss (White)	2	
5	80-1751-407-00	Wheel Assy 16*700*8	2	
4	80-1751-404-00	Tire Tube 16*700*8	2	
3	80-1751-401-00	Tire 16*700*8	2	
2	80-1260-407-00	Wheel Assy 3.50-7	2	
1	80-1260-404-00	Tire Tube 3.50-7	2	
No	Parts Number	parts Name	Q'ty	Remark

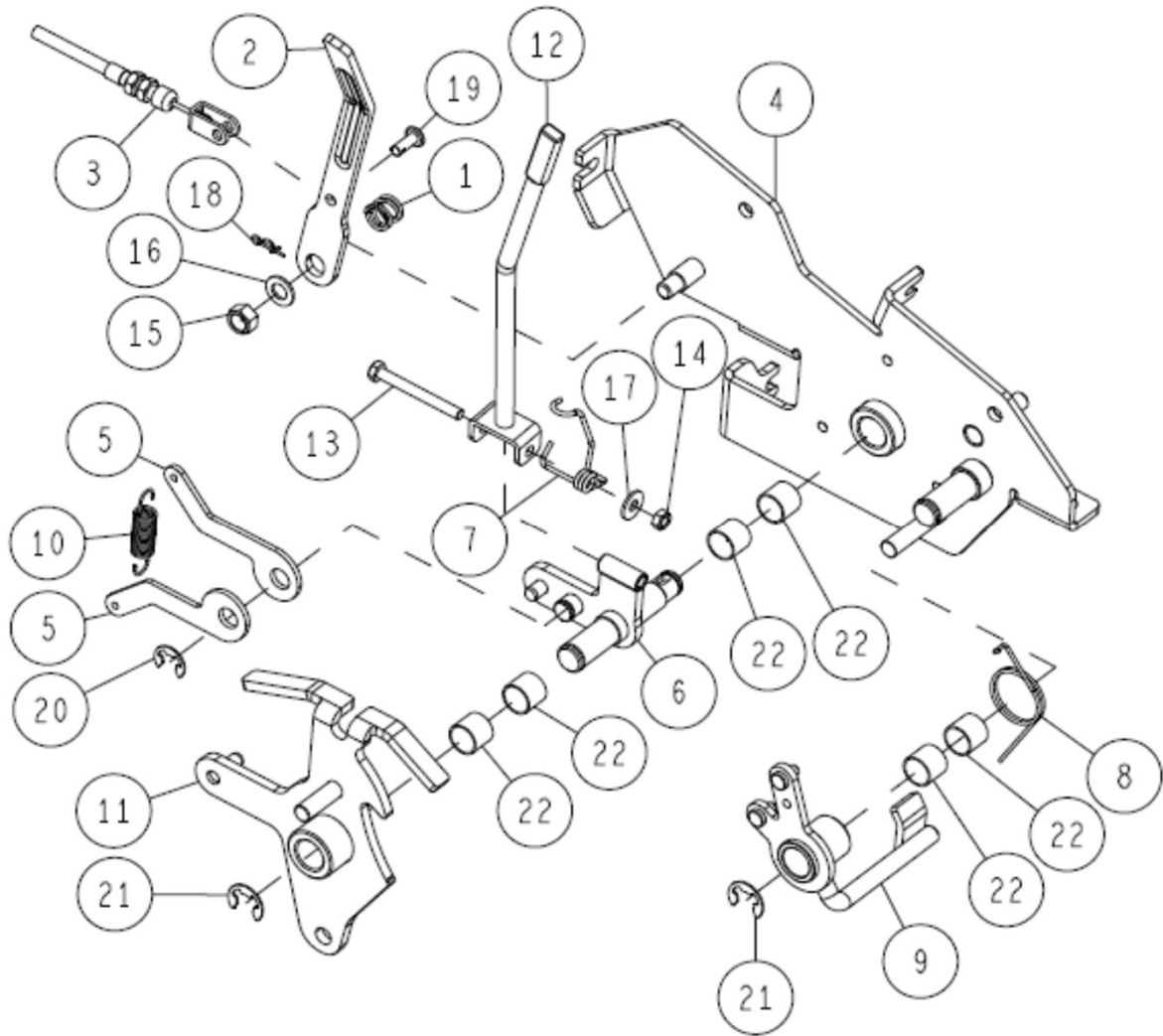


-	0341-11010	Change Pedal Rod Assy	1	1、2、3、8、10、13
-	0312-16000	Shift Rod Assy	1	1、2、3、9、10、13
16	89-1711-100002	Flat Washer 10*18*1.6	2	
15	89-1631-100042	Flange Mini Hexagonal Nut M10	4	
14	89-1613-100042	Mini Hexagonal Nut (3 sorts) M10	1	
13	89-1611-100042	Mini Hexagonal Nut M10	4	
12	89-1233-080202	Mini Hexagonal Bolt (PWSW) M8*20	4	
11	89-1213-100302	Mini Hexagonal Bolt (8T) M10*30	3	
10	83-1488-195-02	Mini Hexagonal Nut M10 (L)	2	
9	0348-11100	Shift Rod	1	
8	0341-11110	Change Pedal Rod	1	
7	0341-1020G	Control Guide CMP (Metallic Grey)	1	
6	0221-13200	Change Grip	1	
5	0215-70600	Lever Grip (Red)	1	
4	0207-72600	Lever Grip 8 (black)	1	
3	80-1487-964-10	Rod End PHS10EC	2	
2	80-1487-962-10	Rod End PHS10ECL	2	
1	80-1485-265-00	Shift Rod Adjuster	2	
No	Parts Number	parts Name	Q'ty	Remark

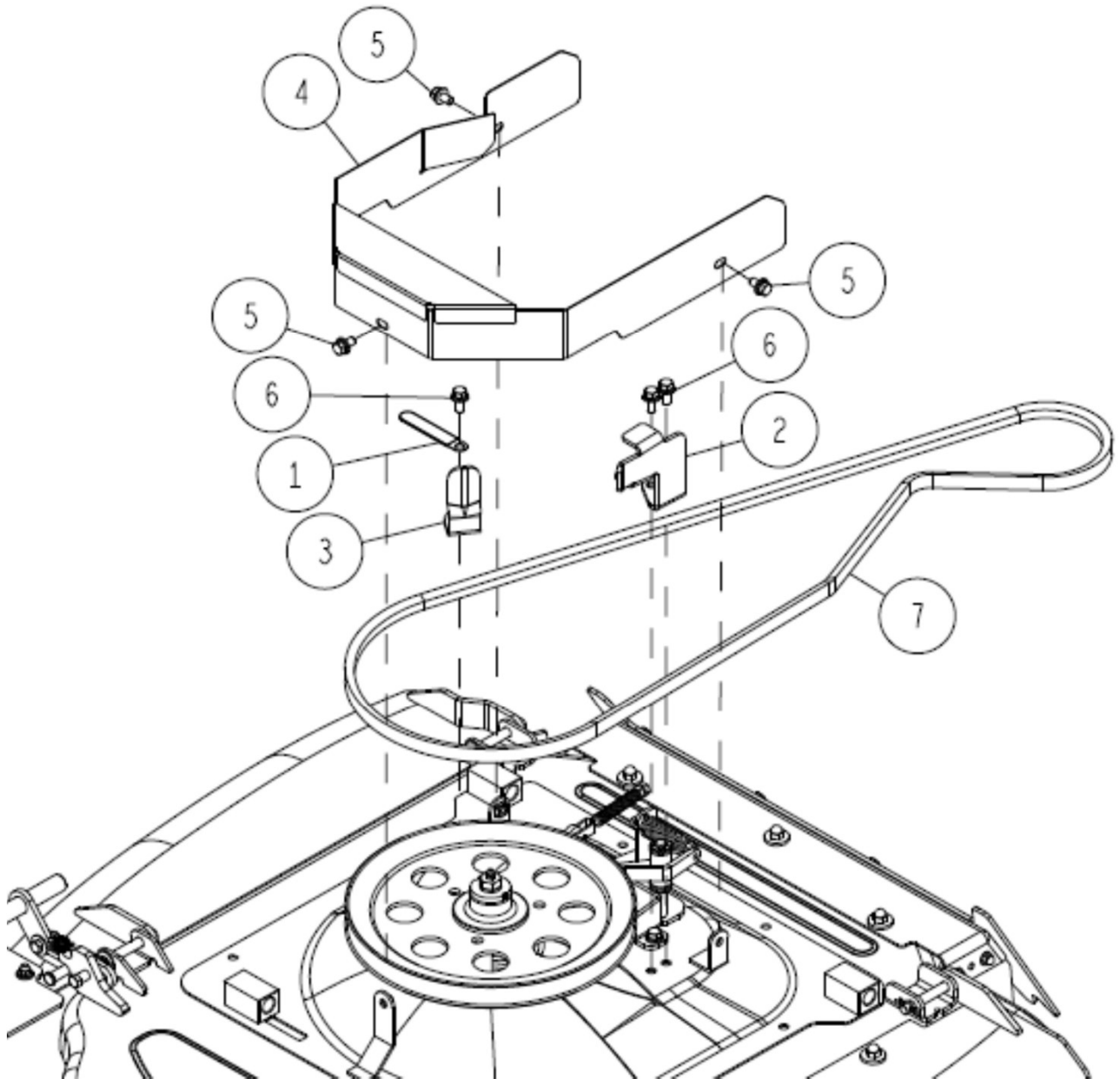


-	0312-17010	Change Brake Assy	1	5、6、9、10
21	89-2511-000140	Snap Ring (S14)	1	
20	89-2181-060122	Flat Head Pin 6*12	1	
19	89-2150-050100	Key 5*10 (round)	1	
18	89-2132-060002	Snap Pin 6 (with stopper)	1	
17	89-1852-100000	Belleville Spring H10	2	
16	89-1750-060002	Spring Washer 6	3	
15	89-1711-060002	Flat Washer 6	1	
14	89-1611-100042	Mini Hexagonal Nut M10	1	
13	89-1611-080042	Mini Hexagonal Nut M8	2	
12	89-1561-100002	Mini Hexagonal U Nut M10	1	
11	89-1113-060122	Hexagonal Bolt (8T) M6*12	3	
10	85-1711-318-00	Brake Shoe Set	1	
9	85-1711-317-00	Shoe Return Spring	2	
8	83-1675-375-00	Thrust Washer 14*23*1.0	1	
7	0322-75600	Throttle Wire(B&S)	1	
6	0312-17200	Brake Drum	1	
5	0312-17100	Brake Cover	1	
4	0312-14200	Spring for Brake Pulling	1	
3	0312-12900	Throttle Lever	1	
2	0225-11800	Spring, Change Brake	1	
1	0207-72300	Tension Adjuster	1	
No	Parts Number	parts Name	Q'ty	Remark

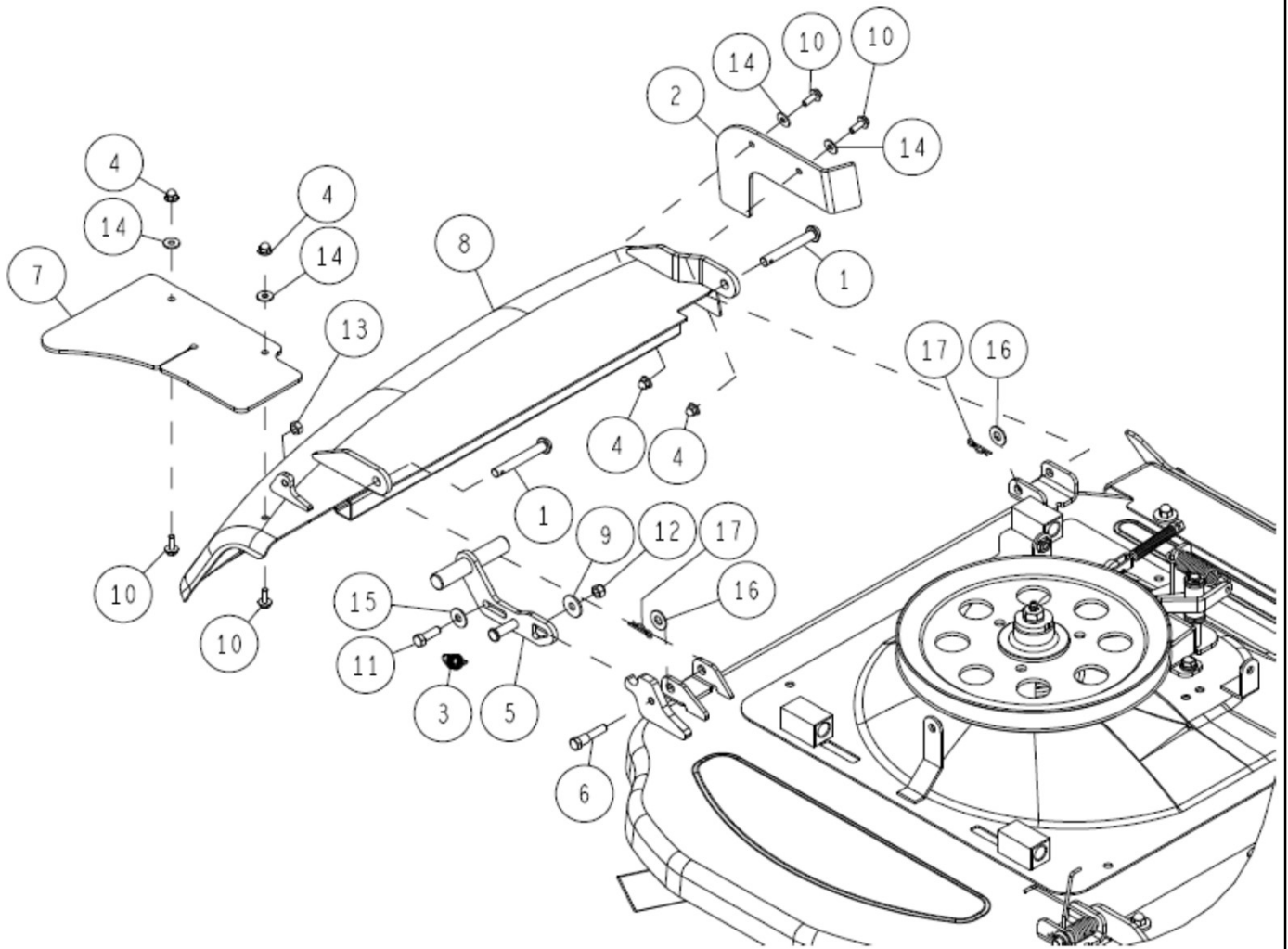
35/50 Control part 3/3



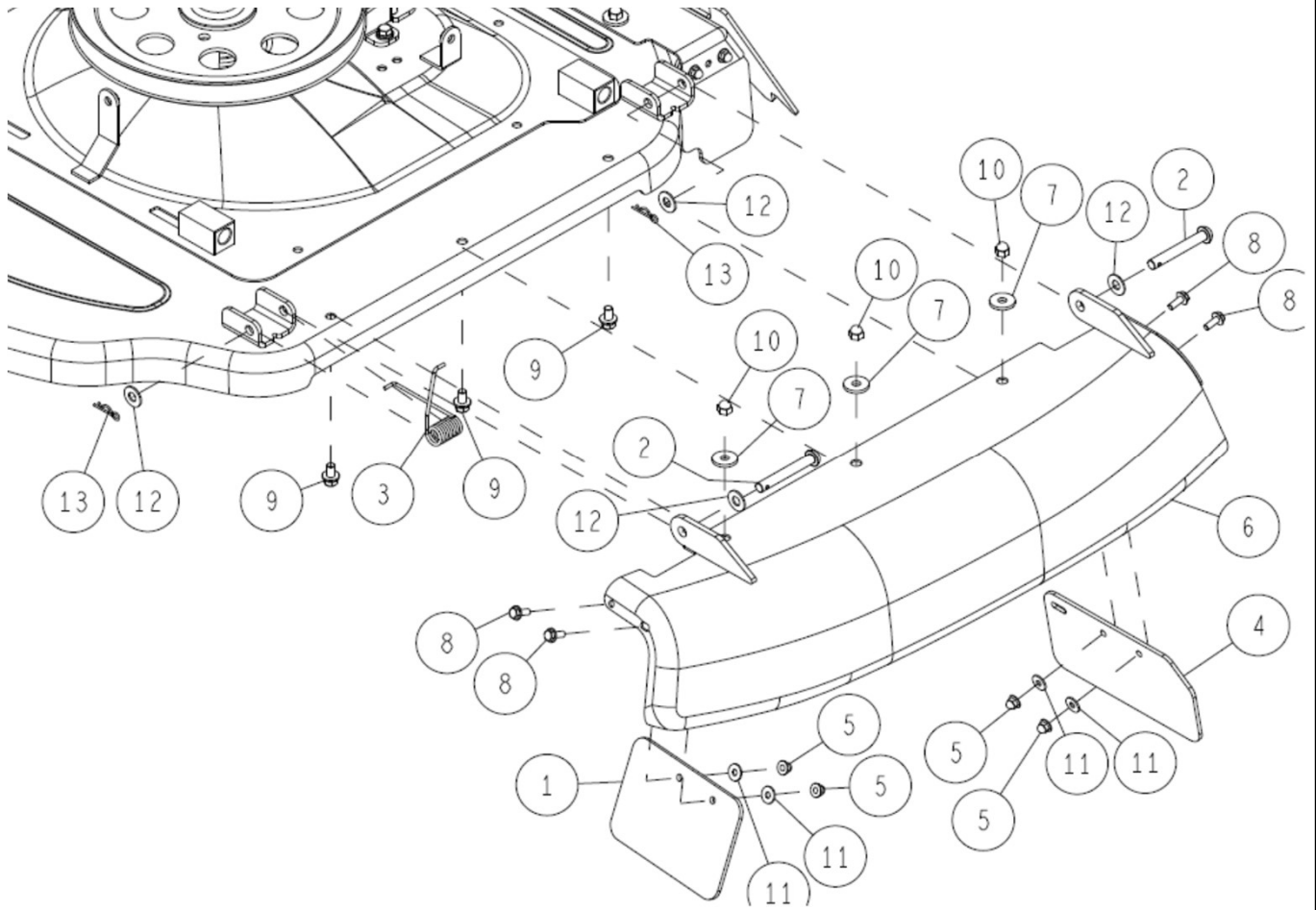
22	89-3510-016150	DU Bush 16.15	6	
21	89-2521-000120	E Type Ring 12	2	
20	89-2521-000100	E Type Ring 10	1	
19	89-2181-060162	Flat Head Pin 6*16	1	
18	89-2132-060002	Snap Pin 6 (with stopper)	1	
17	89-1713-060002	Flat Washer 6 (Large)	1	
16	89-1711-100002	Flat Washer 10*18*1.6	1	
15	89-1561-100002	Mini Hexagonal U Nut M10	1	
14	89-1551-060002	Hexagonal U Nut M6	1	
13	89-1113-060552	Hexagonal Bolt (8T) M6*55	1	
12	0348-10300	Change Lever CMP	1	
11	0348-1010H	Change Lever Guide CMP (Metallic Grey)	1	
10	0329-12500	Spring for Change Pedal	1	
9	0322-1240H	Change Return Arm CMP (Metallic Grey)	1	
8	0312-13800	Spring for Change Return Arm	1	
7	0312-13700	Spring for Change Lever	1	
6	0312-1242H	Change Lever Base CMP (Metallic Grey)	1	
5	0312-1231H	Neutral Arm (Metallic Grey)	2	
4	0312-1210H	Change Bracket CMP (Metallic Grey)	1	
3	0244-72410	Defferential Lock Wire	1	
2	0244-13200	Differential Lock Lever CMP	1	
1	80-1020-263-00	Control Lever Shaft Spring	1	
No	Parts Number	parts Name	Q'ty	Remark



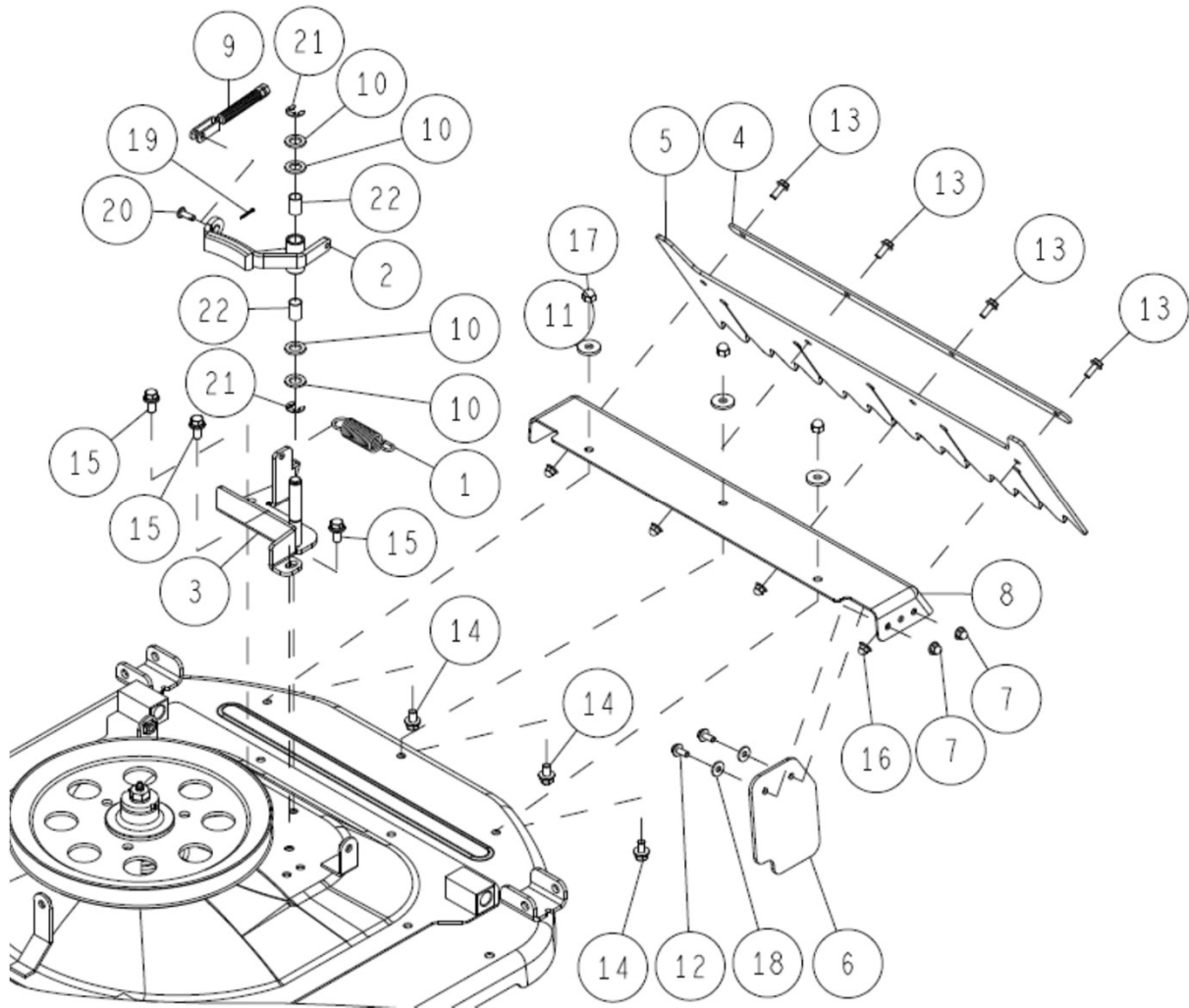
7	89-6123-007802	V Belt SB-78 (W800)	1	
6	89-1233-080202	Mini Hexagonal Bolt (PWSW) M8*20	3	
5	89-1233-080162	Mini Hexagonal Bolt (PWSW) M8*16	3	
4	0322-5060H	Knife Belt Cover CMP (Metallic Grey)	1	
3	0244-4260H	Knife Pulley Belt Holder (Metallic Grey)	1	
2	0244-4240H	Belt Holder Left (Metallic Grey)	1	
1	80-1792-988-00	Harness Clip 8	1	
No	Parts Number	parts Name	Q'ty	Remark



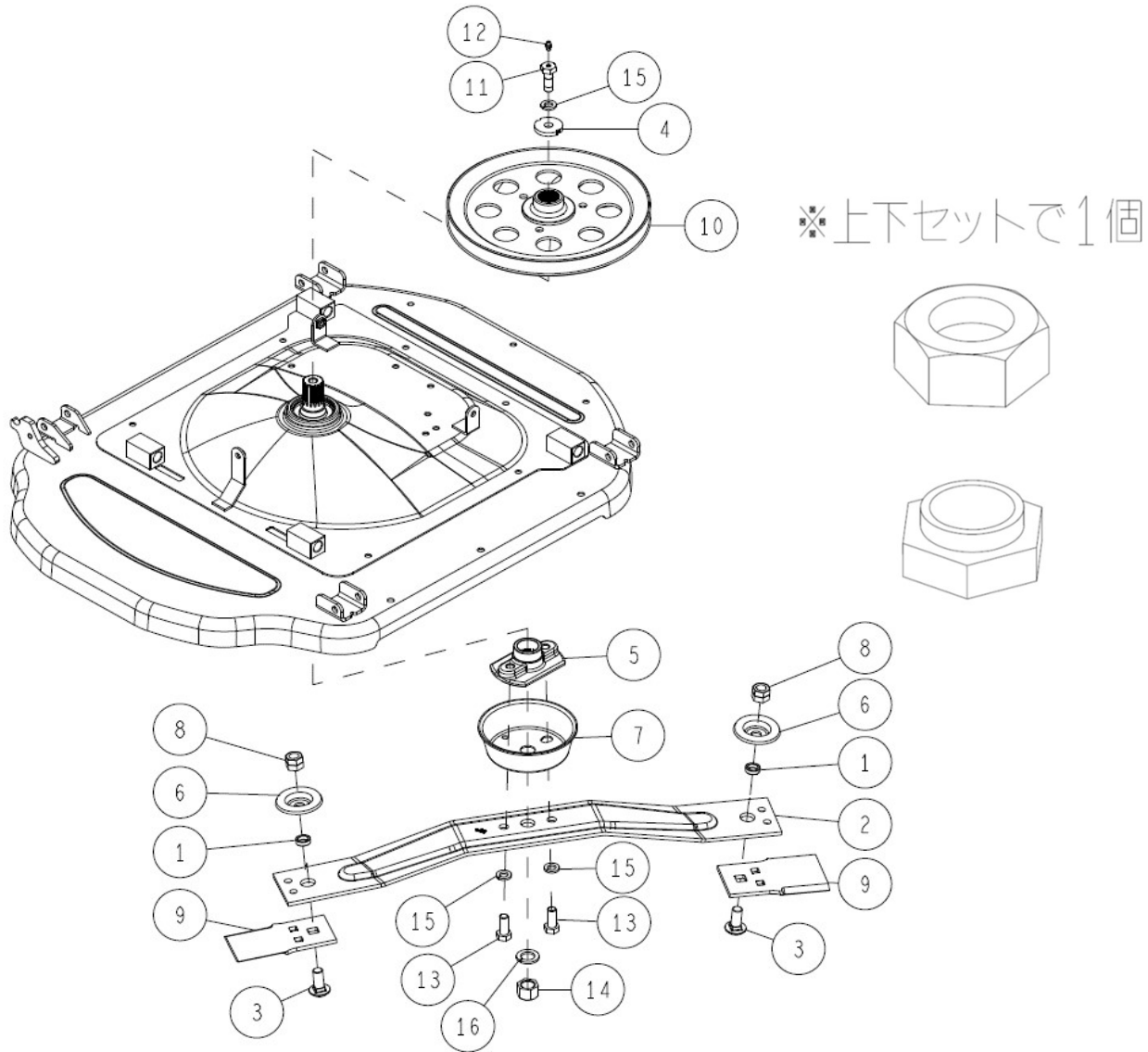
17	89-2131-100002	Snap Pin 10	2	
16	89-1714-100002	Flat Washer 10	2	
15	89-1713-080002	Flat Washer 8 (Large)	2	
14	89-1713-060002	Flat Washer 6 (Large)	4	
13	89-1611-080042	Mini Hexagonal Nut M8	1	
12	89-1561-080002	Mini Hexagonal U Nut M8	1	
11	89-1213-080252	Mini Hexagonal Bolt (8T) M8*25	1	
10	89-1137-060172	Hexagonal Bolt (PW) M6*17	4	
9	83-1751-311-00	Flat Washer 8*25*2.3	1	
8	0349-5020H	Right Cover CMP (Metallic Grey)	1	
7	0341-51100	Right Cover Flapper	1	
6	0341-50600	Step Bolt M8	1	
5	0341-50500	Right Cover Up/Down Arm CMP	1	
4	0312-77500	Flange Cap Nut M6 (Meck)	4	
3	0312-23200	Brake Stopper Return Spring	1	
2	0284-51600	Side Flapper (Rear Right 88)	1	
1	0244-63900	Round Head Pin 10*72	2	
No	Parts Number	parts Name	Q'ty	Remark



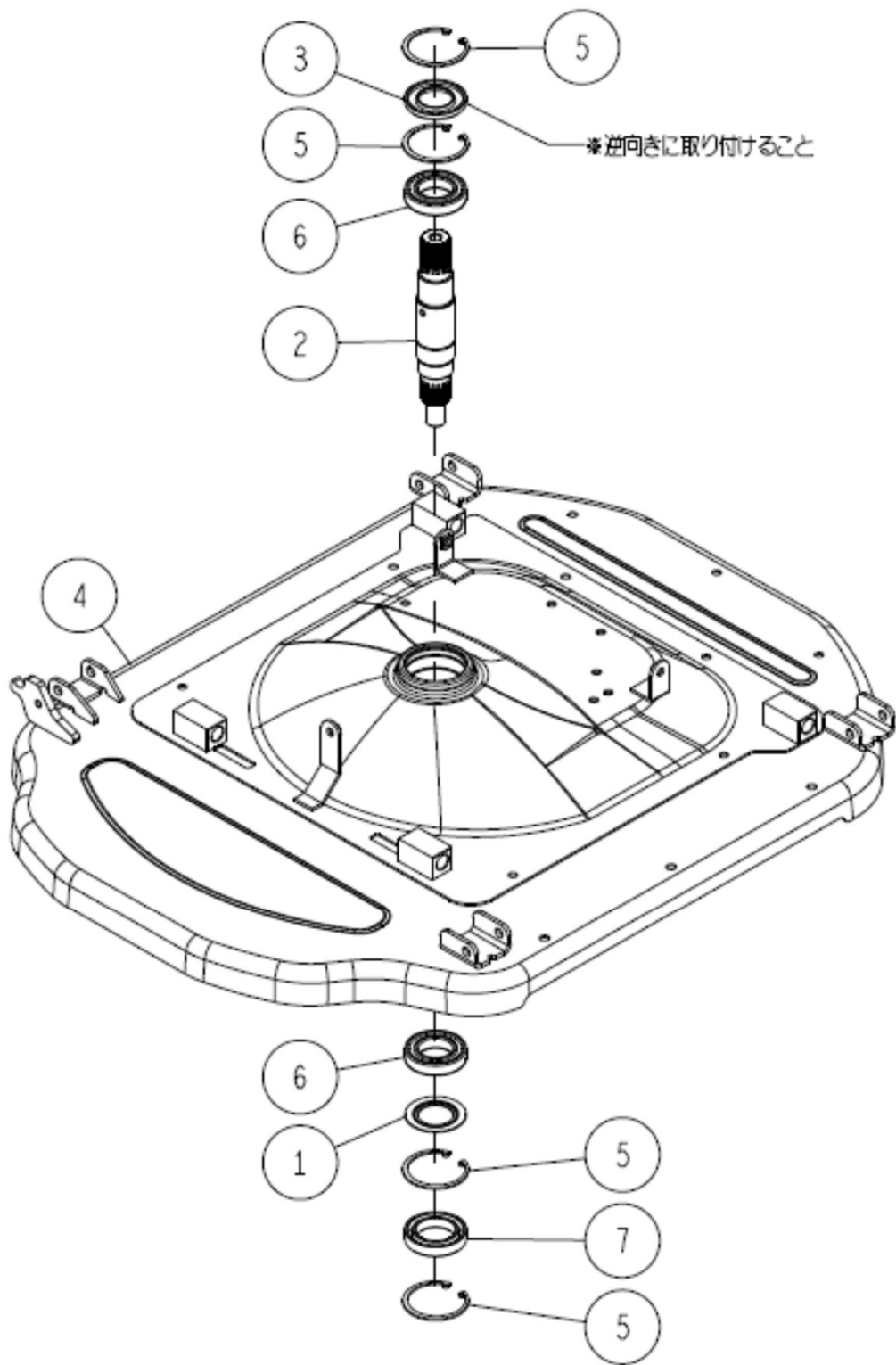
13	89-2131-100002	Snap Pin 10	2	
12	89-1714-100002	Flat Washer 10	4	
11	89-1713-060002	Flat Washer 6 (Large)	4	
10	89-1671-080042	Mini Cap Nut M8	3	
9	89-1233-080162	Mini Hexagonal Bolt (PWSW) M8*16	3	
8	89-1137-060172	Hexagonal Bolt (PW) M6*17	4	
7	83-1751-312-00	Washer 8*25*3.2	3	
6	0322-5031H	Left Cover CMP (Metallic Grey)	1	
5	0312-77500	Flange Cap Nut M6 (Meck)	4	
4	0255-60800	Rear Side Flapper (Left A)	1	
3	0244-71600	Spring for Right Cover	1	
2	0244-63900	Round Head Pin 10*72	2	
1	0244-61800	Side Flapper (Front)	1	
No	Parts Number	parts Name	Q'ty	Remark



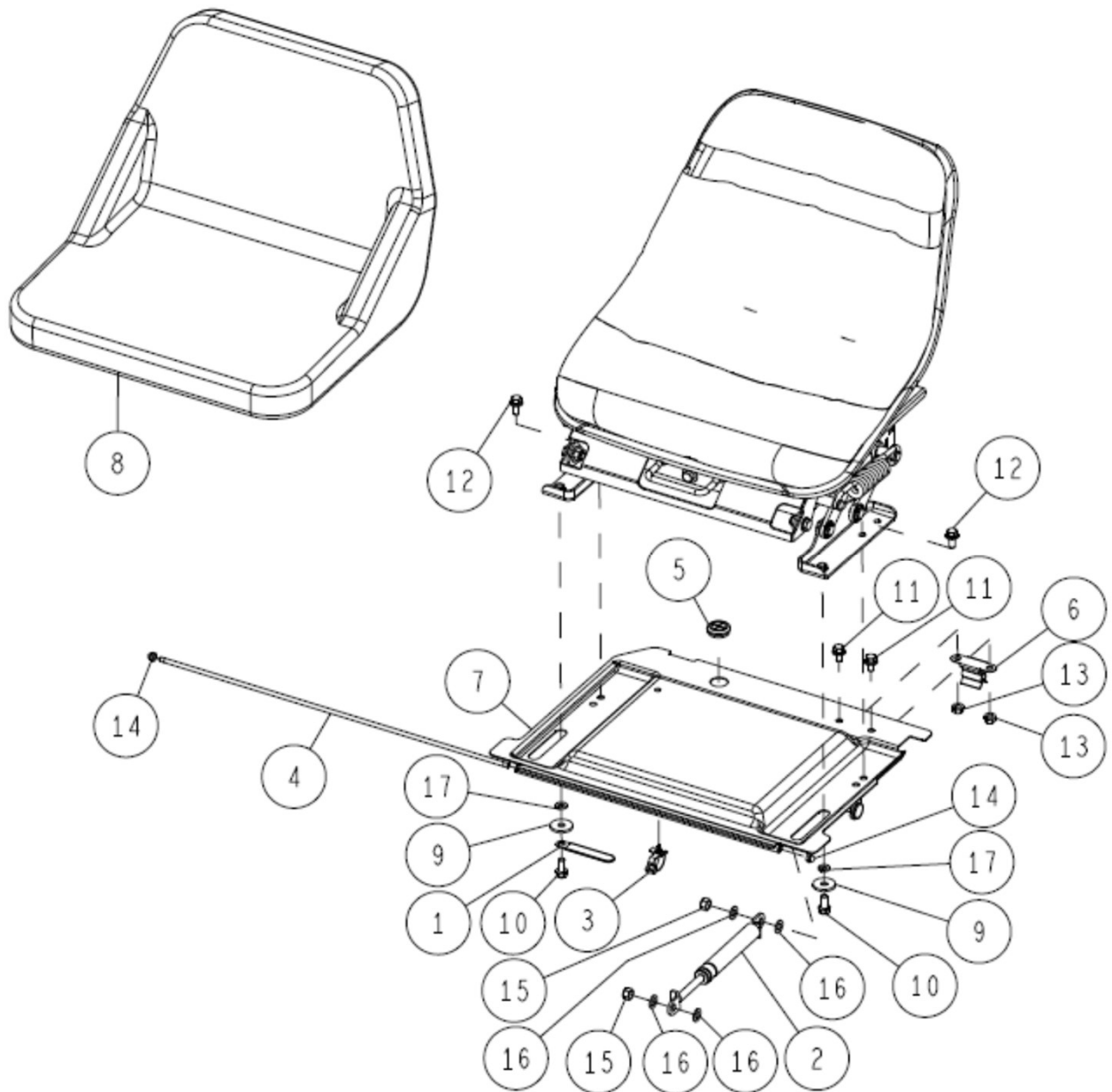
22	89-3510-012200	DU Bush 12.20	2	
21	89-2521-000100	E Type Ring 10	2	
20	89-2181-060162	Flat Head Pin 6*16	1	
19	89-2120-200152	Split Pin 2*15	1	
18	89-1713-060002	Flat Washer 6 (Large)	2	
17	89-1671-080042	Mini Cap Nut M8	3	
16	89-1581-060042	Flange Cap Nut M6	4	
15	89-1233-080202	Mini Hexagonal Bolt (PWSW) M8*20	3	
14	89-1233-080162	Mini Hexagonal Bolt (PWSW) M8*16	3	
13	89-1137-060172	Hexagonal Bolt (PW) M6*17	4	
12	89-1137-060152	Hexagonal Bolt (PW) M6*15	2	
11	83-1751-312-00	Washer 8*25*3.2	3	
10	83-1565-329-00	Washer 13*22*2.3	4	
9	0322-75200	Knife Brake Wire	1	
8	0322-5040H	Rear Guard (Metallic Grey)	1	
7	0312-77500	Flange Cap Nut M6 (Meck)	2	
6	0312-50700	Side Rear Flapper (L)	1	
5	0284-50300	Rear Flapper	1	
4	0244-6140H	Rear Flapper Holder (Metallic Grey)	1	
3	0244-5071H	Knife Brake Base CMP (Metallic Grey)	1	
2	0244-5060H	Knife Brake CMP (Metallic Grey)	1	
1	80-1485-551-00	Driving Tension Spring	1	
No	Parts Number	parts Name	Q'ty	Remark



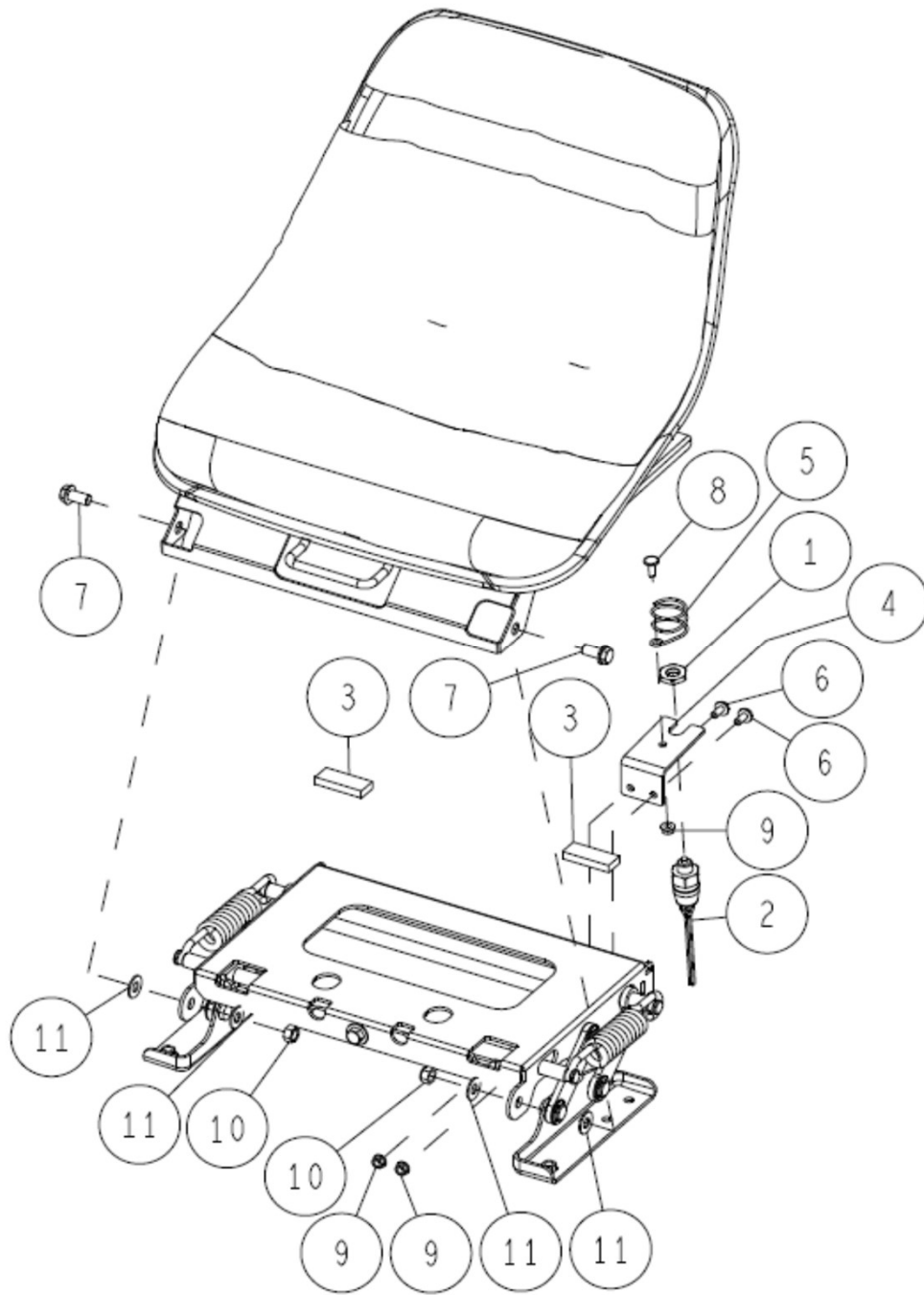
-	0322-52000	Nipple Bolt Set	1	11、12
-	0244-78010	Knife & Blade Bolt Set RM85	1	1、3、6、8、9 (3は4ヶ在中)
-	0244-78210	Knife Setting Bolt Set M14	2	3、6、8 (3は2ヶ在中)
16	89-1750-200002	Spring Washer 20	1	
15	89-1750-120002	Spring Washer 12	3	
14	83-1483-175-00	Bag Nut M20 (Lock)	1	
13	83-1483-129-00	Mini Hexagonal Bolt (8T) M12*30	2	
12	83-1415-975-00	Grease Nipple M6	1	
11	0322-52200	Nipple Bolt M12*35 (8T)	1	
10	0312-5030H	Knife Pulley CMP (Metallic Grey)	1	
9	80-1483-821-00	Knife	2	
8	0244-74600	Hard Lock Nut M14	2	※1 piece in top and bottom set
7	0244-5210H	Knife Neck Guard (Metallic Grey)	1	
6	0244-51800	Nut Guard 14	2	
5	0238-5110H	Knife Bracket (Metallic Grey)	1	
4	0221-76100	Washer 12*40*6	1	
3	0207-50200	Knife Setting Bolt M14*34	2	
2	80-1493-A17-00	Knife Stay	1	Hi Position Cutting Blade
	80-1493-817-10	Knife Stay (RM90V)	1	
1	80-1483-818-00	Knife Collar	2	
No	Parts Number	parts Name	Q'ty	Remark



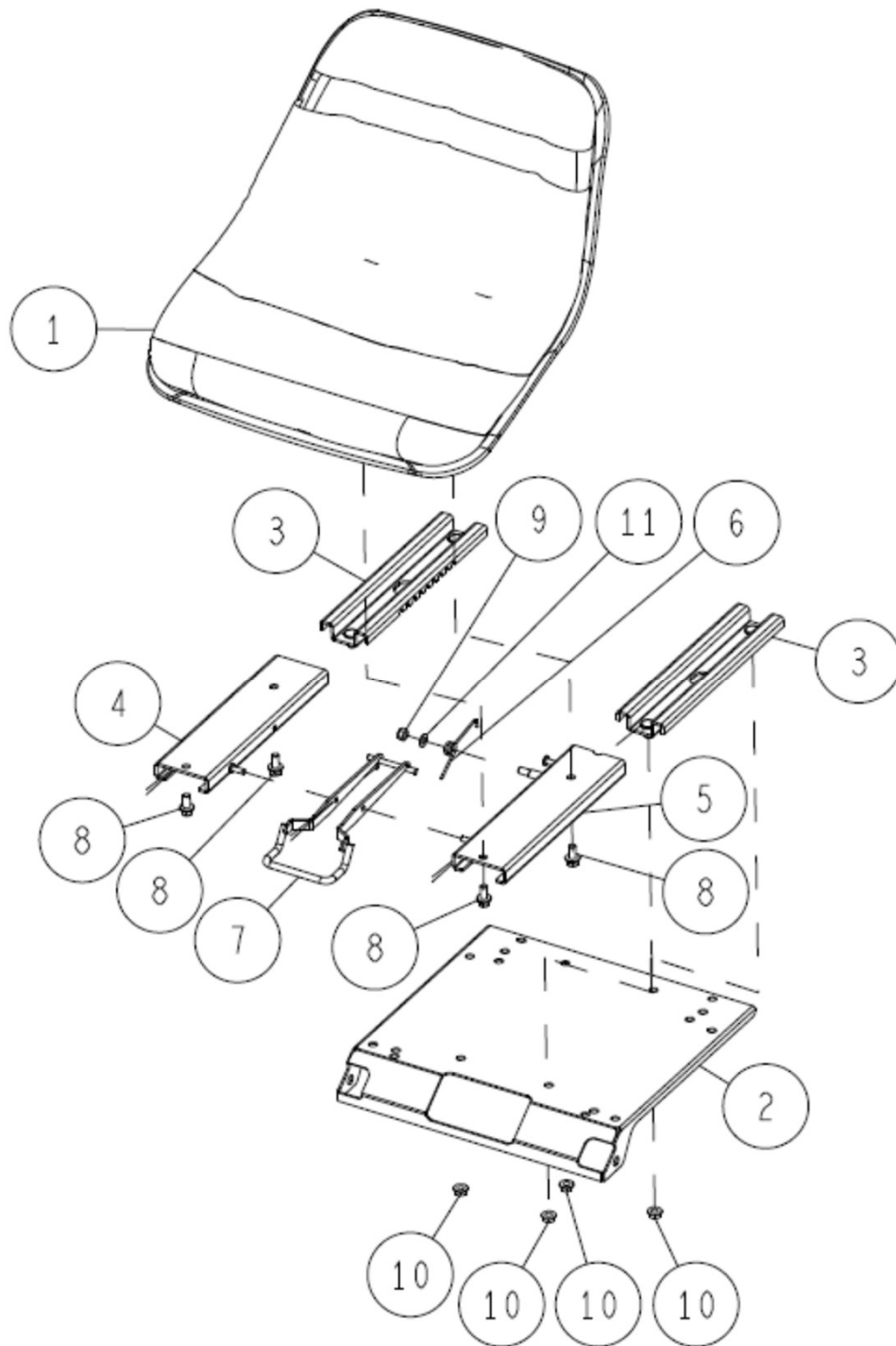
7	89-5121-406212	Oil Seal UE 40.62.12	1	
6	89-3115-060074	Bearing 6007 2RS	2	
5	89-2512-000620	Snap Ring (R62)	4	
4	0343-5010H	Safety Cover CMP (Metallic Grey)	1	
3	0322-72700	Oil Seal UE 35.62.6	1	※逆向きに組み付ける事
2	0322-52100	Vertical Shaft	1	
1	0262-50100	Dust Plate	1	
No	Parts Number	parts Name	Q'ty	Remark



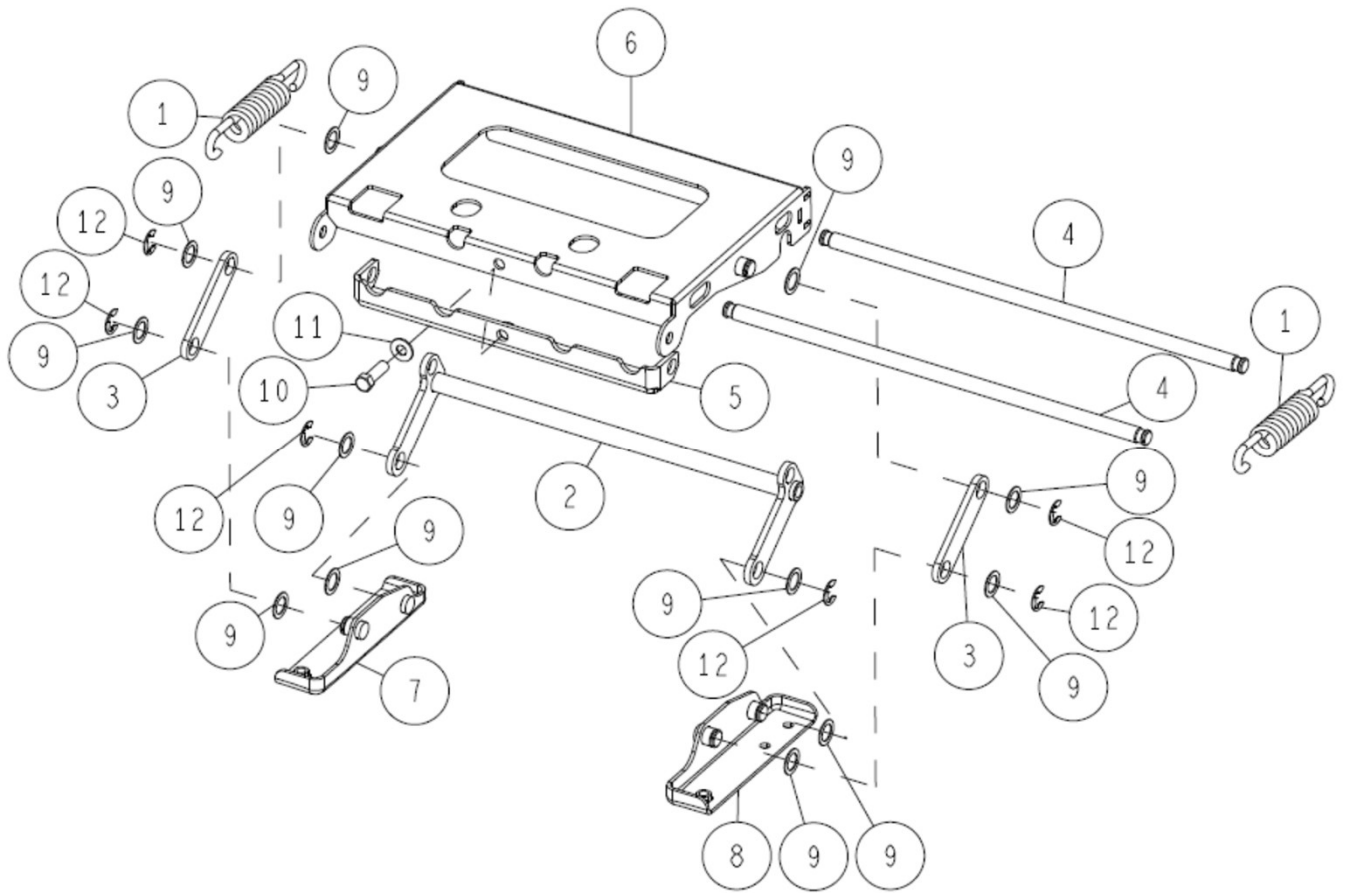
17	89-1750-080002	Spring Washer 8	2	
16	89-1711-100002	Flat Washer 10*18*1.6	4	
15	89-1561-100002	Mini Hexagonal U Nut M10	2	
14	89-1553-060002	Bag Hexagonal U Nut M6	2	
13	89-1543-080002	Mini Hexagonal Nut (SW) M8	2	
12	89-1233-080202	Mini Hexagonal Bolt (PWSW) M8*20	2	
11	89-1233-080162	Mini Hexagonal Bolt (PWSW) M8*16	2	
10	89-1232-080202	Mini Hexagonal Bolt (SW) M8*20	2	
9	83-1415-312-00	Washer 8*30*3.2	2	
8	0322-73100	Seat Cover (option)	1	
7	0322-2160G	Seat bracket CMP (Green)	1	
6	0312-70700	Bonnet Clip	1	
5	0244-73700	Grommet 24	1	
4	0244-22200	Seat Bracket Shaft	1	
3	0221-71900	Clip CT-339	1	
2	0207-72700	Gas Spring KMF 50-40	1	
1	80-1792-988-00	Harness Clip 8	1	
No	Parts Number	parts Name	Q'ty	Remark



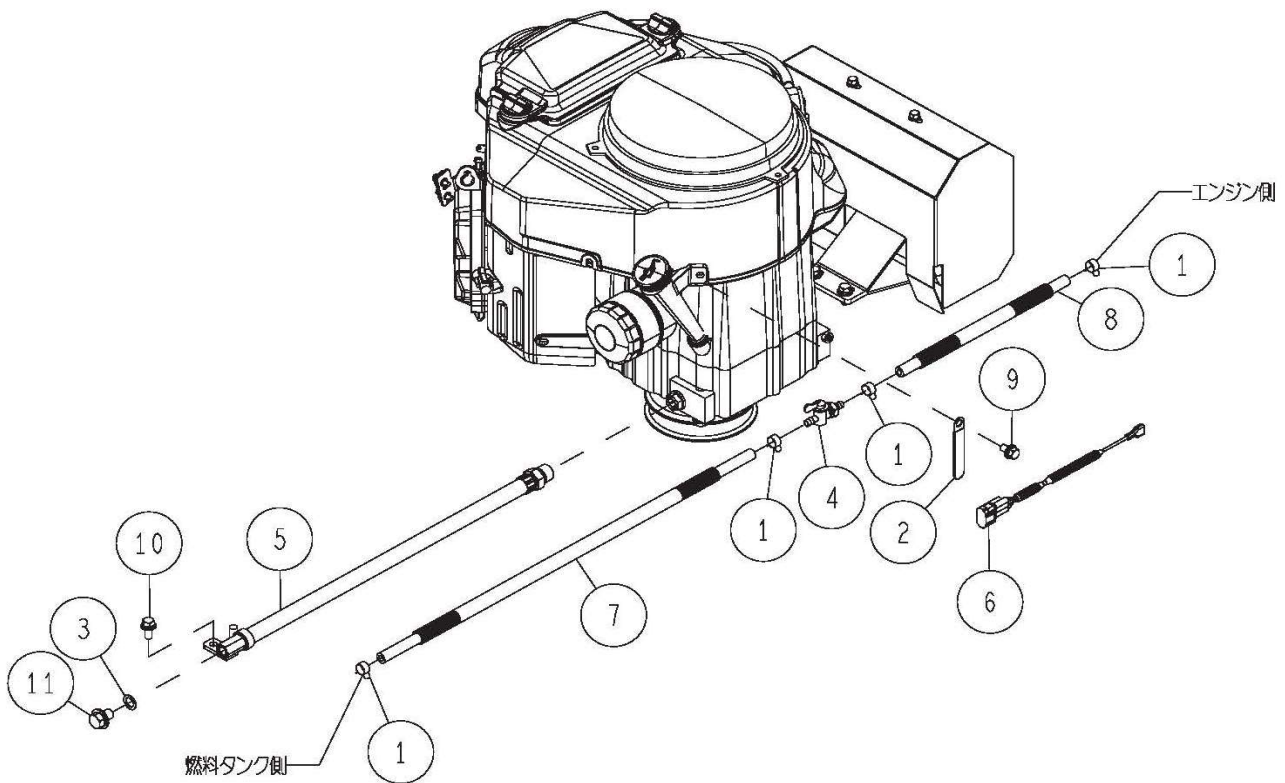
13	89-1714-100002	Flat Washer 10	13	
12	89-1711-060002	Flat Washer 6	12	
11	89-1561-100002	Mini Hexagonal U Nut M10	11	
10	89-1531-060042	Flange Nut M6	10	
9	89-1390-060162	Welded Bolt M6*16	9	
8	89-1253-100202	Flange Mini Hexagonal Bolt (8T) M10*20	8	
7	89-1137-060152	Hexagonal Bolt (PW) M6*15	7	
6	89-1111-060142	Hexagonal Bolt M6*14	6	
5	0342-22100	Rubber, Seat Spacer	2	
4	0341-21700	Seat Switch Spring	1	
3	0341-21600	Seat Switch Stay	1	
2	0207-74400	Safety Switch K17850	1	
1	0207-72800	Switch Lock Nut	1	
No	Parts Number	parts Name	Q'ty	Remark



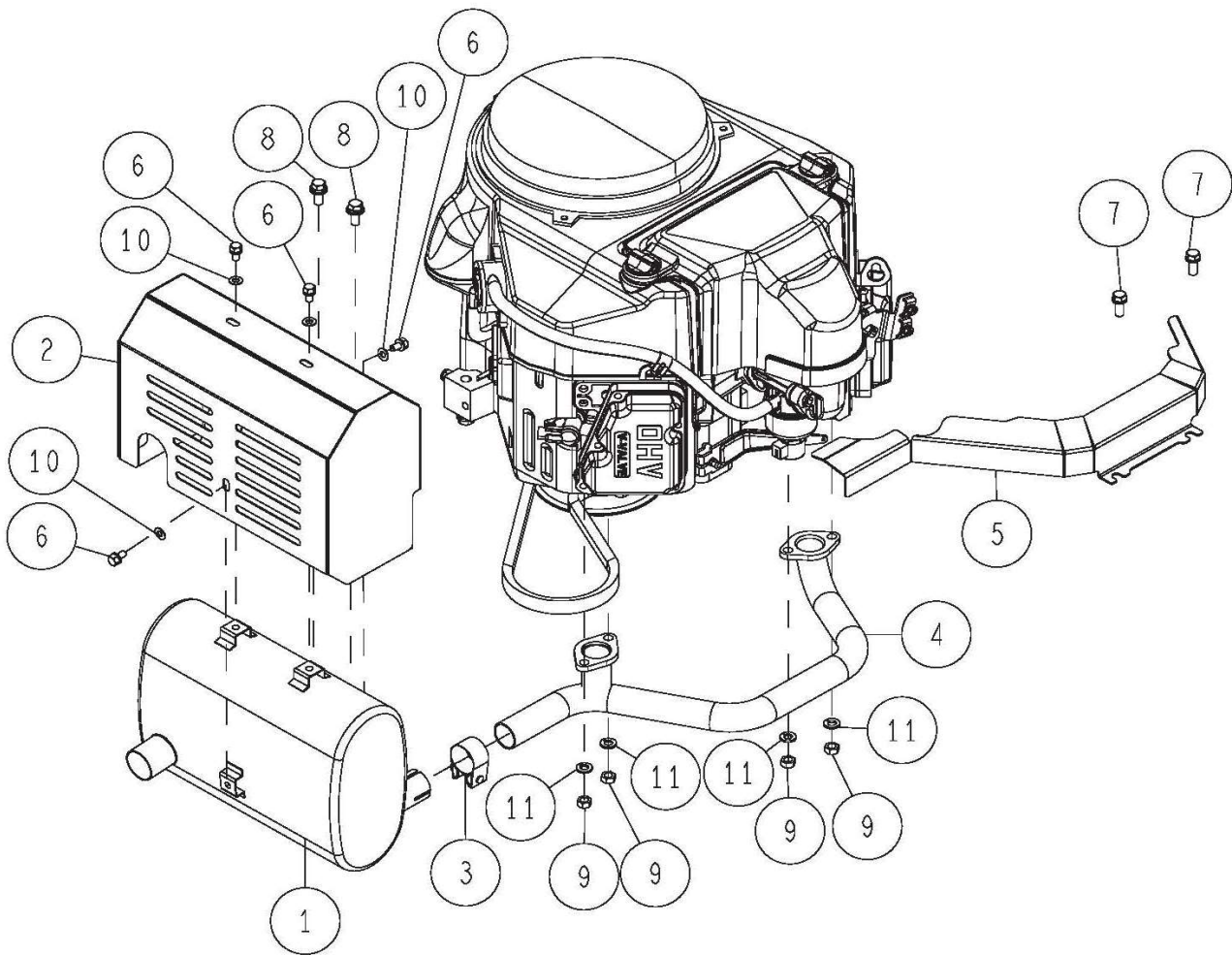
11	89-1711-080002	Flat Washer 8	1	
10	89-1631-080042	Flange Mini Hexagonal Nut M8	4	
9	89-1561-080002	Mini Hexagonal U Nut M8	1	
8	89-1233-080202	Mini Hexagonal Bolt (PWSW) M8*20	4	
7	0341-21801	Slide Lever CMP (White)	1	
6	0341-21500	Seat Lever Spring	1	
5	0341-21401	Upper Slide (L) CMP (White)	1	
4	0341-21301	Upper Slide (R) CMP (White)	1	
3	0341-21201	Lower Slide CMP (White)	2	
2	0341-21101	Seat Receiver CMP (White)	1	
1	0284-78100	Seat K4 (Black)	1	
No	Parts Number	parts Name	Q'ty	Remark



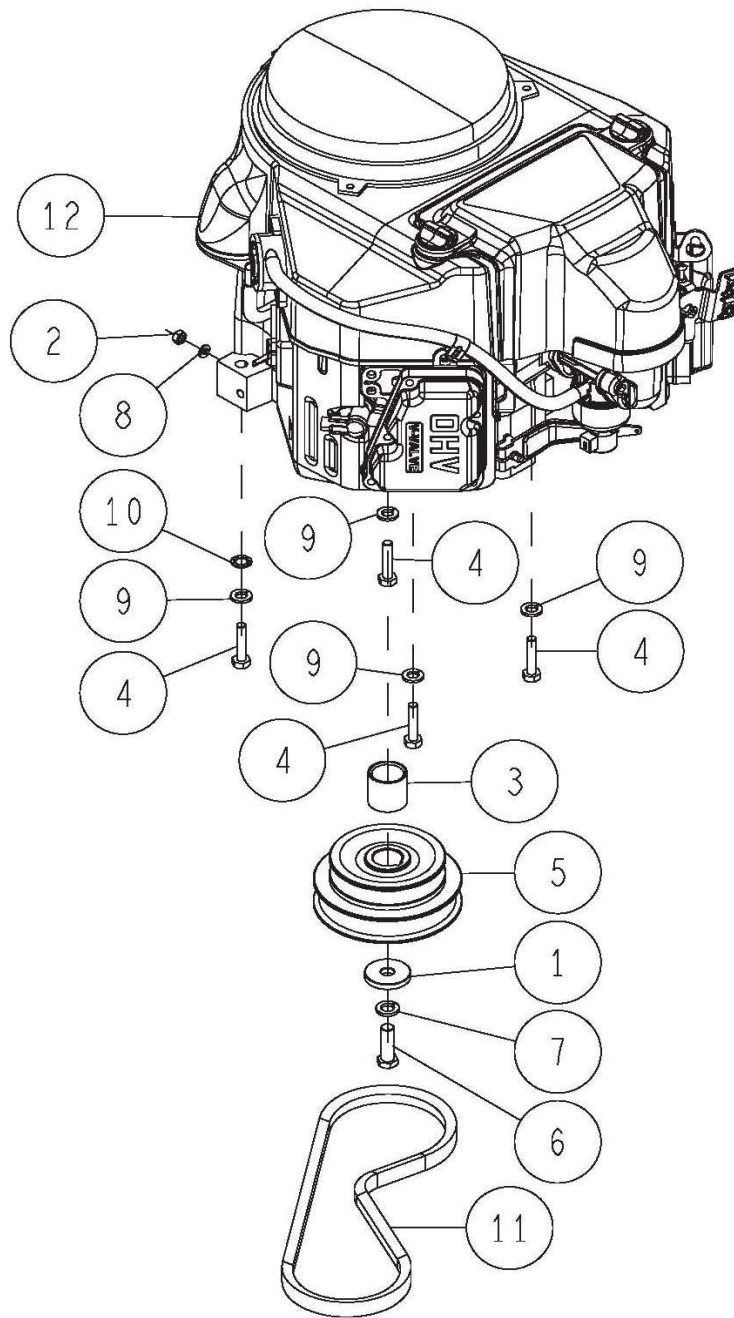
12	89-2521-000120	E Type Ring 12	6	
11	89-1714-100002	Flat Washer 10	1	
10	89-1211-100302	Mini Hexagonal Bolt M10*30	1	
9	83-1020-363-00	Thrust Washer 16*24*1.0	12	
8	0348-2120G	Link Upper Bracket (L) CMP (Green)	1	
7	0348-2110G	Link Upper Bracket (R) CMP (Green)	1	
6	0341-21901	Link Upper Bracket CMP (White)	1	
5	0312-22101	Spring Shaft Hook CMP (White)	1	
4	0312-21800	Spring Shaft	2	
3	0312-21701	Seat Parallel Link (B) (White)	2	
2	0312-21601	Parallel Seat Link CMP (White)	1	
1	0244-71200	Spring for Seat Link	2	
No	Parts Number	parts Name	Q'ty	Remark



-	0322-74000	Fuel Cock Assy (K)	1	1×2ヶ、4、8
-	0322-72500	Fuel Hose 270L & Clip	1	1×2、8
-	0322-72400	Fuel Hose 600L & Clip	1	1×2、7
11	89-1251-120152	Flange Mini Hexagonal Bolt M12*15	1	
10	89-1233-080202	Mini Hexagonal Bolt (PWSW) M8*20	1	
9	89-1233-080162	Mini Hexagonal Bolt (PWSW) M8*16	1	
8	0322-70500	Fuel Hose 270L	1	
7	0322-70400	Fuel Hose 600L	1	
6	0312-77300	Harness (K)	1	
5	0312-44100	Oil Drain Assy (K)	1	OリングP16 付属
4	0244-74500	Fuel Cock	1	
3	0207-74900	Copper Packing 12.5*19*1.0	1	
2	80-1792-988-00	Harness Clip 8	1	
1	80-1483-988-00	Hose Clip 17	4	
No	Parts Number	parts Name	Q'ty 個数	Remark

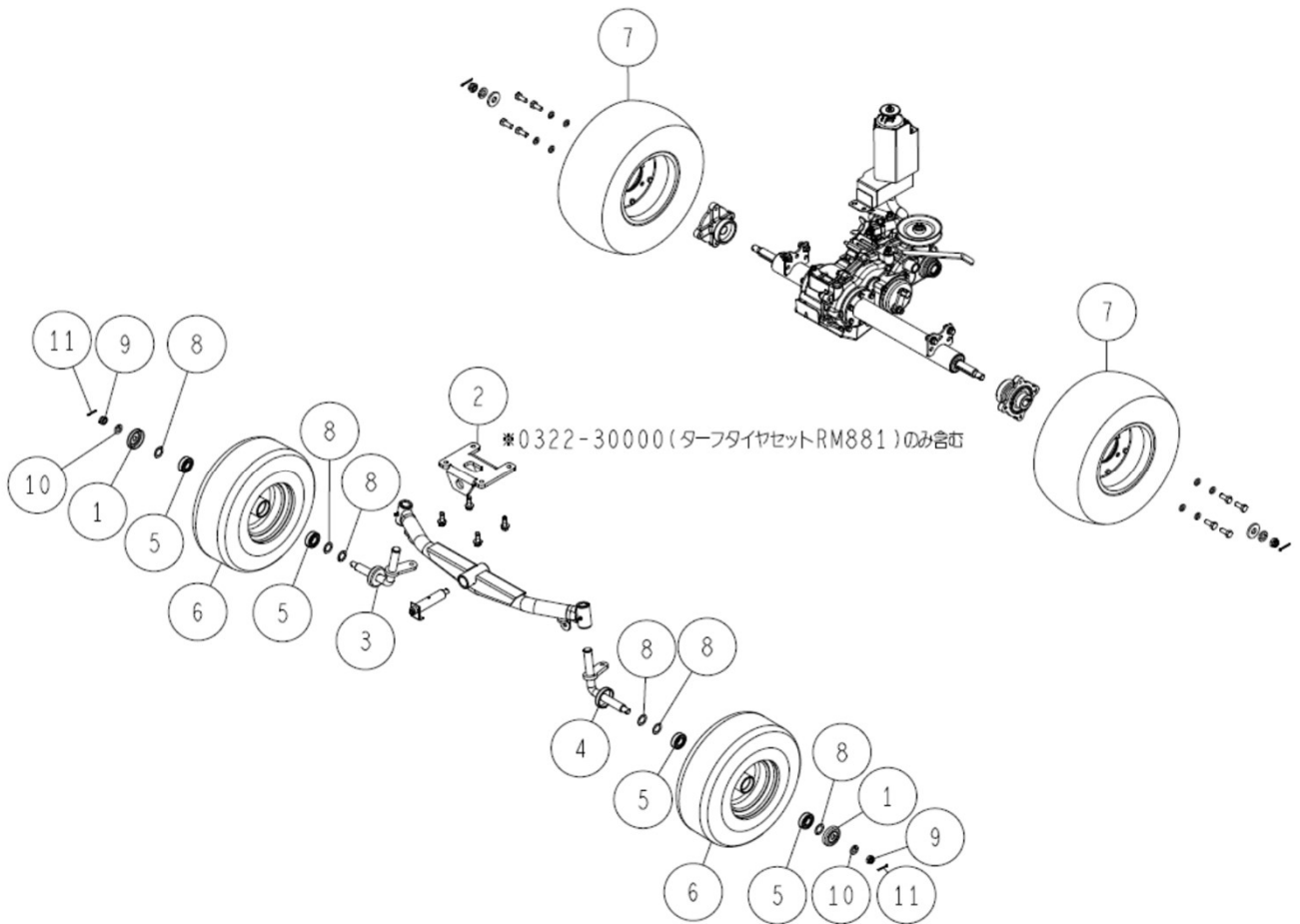


11	89-1750-080002	Spring Washer 8	4	
10	89-1711-060002	Flat Washer 6	4	
9	89-1611-080042	Mini Hexagonal Nut M8	4	
8	89-1233-080202	Mini Hexagonal Bolt (PWSW) M8*20	2	
7	89-1232-080202	Mini Hexagonal Bolt (SW) M8*20	2	
6	89-1132-060122	Hexagonal Bolt (SW) M6*12	4	
5	0329-40600	Exhaust Pipe Cover (RMK150)	1	
4	0322-40100	Exhaust Pipe CMP (FS481V)	1	
3	0312-70500	Muffler Band	1	
2	0312-40500	Muffler Cover CMP	1	
1	0312-40100	Muffler	1	
No	Parts Number	parts Name	Q'ty 個数	Remark



12	9023-0010	Kawasaki Engine FS481V-AG80	1	
11	89-6123-003202	V Belt SB-32 (W800)	1	
10	89-1812-100002	Toothed washer (inside) 10	1	
9	89-1750-100002	Spring Washer 10	4	
8	89-1750-060002	Spring Washer 6	1	
7	83-1493-300-00	Spring Washer 7/16	1	
6	83-1437-115-00	Hexagonal Bolt (8T) UNF7/16*35	1	
5	0322-42100	Engine Pulley	1	
4	0312-42100	Hexagonal Bolt (8T) UNC 3/8-16*38	4	
3	0240-51300	Engine Collar 33	1	
2	0207-76300	Nut UNF 1/4	1	
1	80-1487-516-00	Washer 11*40*6	1	
No	Parts Number	parts Name	Q'ty 個数	Remark

49/50 Turf tire 1/1



-	0322-30000	Turf Tire Set	1	1~11(Incl 2) RM881
-	0323-30000	Turf Tire Set	1	1~11(except 2) 3 RM881A.883,951.951A,95
11	89-2120-250252	Split Pin 2.5*25	2	
10	89-1750-140002	Spring Washer 14	2	
9	89-1668-140042	Mini Low Castle Nut (2 sorts) M14	2	
8	83-1310-371-00	Thrust Washer 20*30*1.0	6	
7	80-1050-411-00	Rear Wheel Turf Tire Assy 16x6.50-8	2	
6	80-1482-413-00	Front Wheel Turf Tire Assy (14x5.00-6)	2	
5	0342-77700	Bearing 6004 2NSE-NB	4	
4	0322-3050H	Turf King Pin (L) CMP (Metallic Grey)	1	
3	0322-3040H	Turf King Pin (R) CMP (Metallic Grey)	1	
2	0312-3220H	Front Axle Holder (Metallic Grey)	1	
1	0207-30500	Front Wheel Dust Cover	2	
No	Parts Number	parts Name	Q'ty	Remark

燃料タンクカバー左右へ
RM883
 0341-73400
 型式マーク(RM883)

RABBIT POWER
 0343-70400
 燃料タンクカバートップマーク

0342-70400
 フロントロゴマーク

RABBIT POWER
 0342-70700
 サイドカウルマーク LR

0329-76200
 注意マーク(カバー)
 左右カバーに貼付

OREC
 0342-70500
 ステップロゴマーク
 ※中心より左よりに貼付
 機番プレートを避ける

0341-79100
 RM883高ラベル(ASIA)

0-1488-9120-00
 キースイッチラベル

CHANGE 20A
 ACCESSORY 15A
 SPARE 20A

0322-78300
 3点ヒューズBOXラベル(輸出)

0215-83100
 傾斜地注意15°マーク

0322-78600
 メンテラベル

0215-83200
 保護装備注意

機番プレート

0223-76100
 注意ラベル(大)Z26-5

0-1488-9210-00
 ベキルスイッチラベル(T31T3)

0310-71300
 騒音ラベル(102dB)

0347-65200
 ノットローララベル(輸出)

0329-77510
 チョークマーク

0342-71500
 ハンドルマーク

0-1488-8280-10
 ベルト巻き込み注意マーク

0312-86100
 シートパネ調整ラベル(輸出)

Gear oil
 80C 1.0L

0217-70800
 ギアオイルラベル1.0L

0320-74500
 走行クラッチ入切マーク

0322-77900
 反射ラベル