

OREC

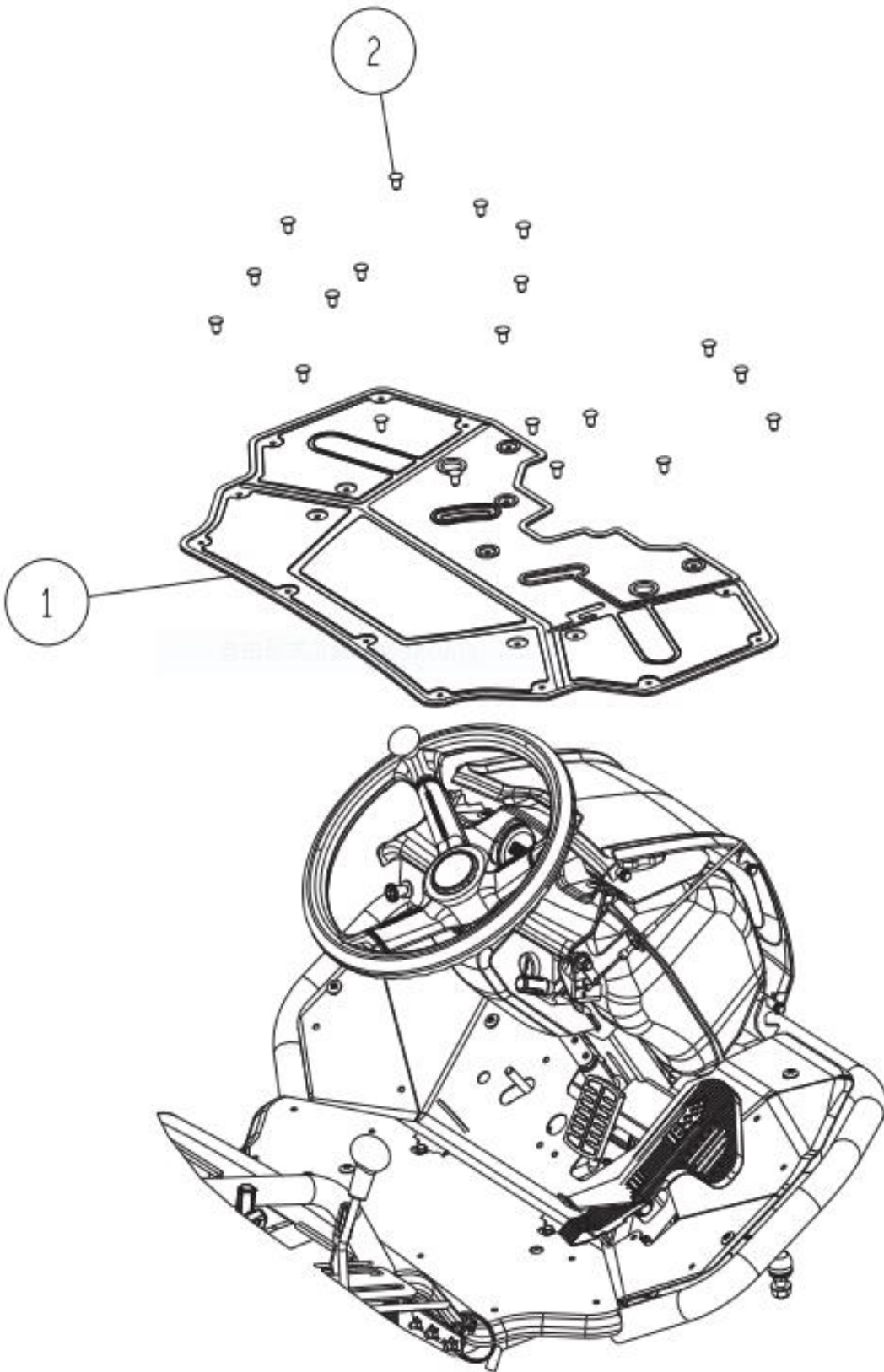
Issue No. RM984-02

Parts catalogue  
RABBIT MOWER  
RM984

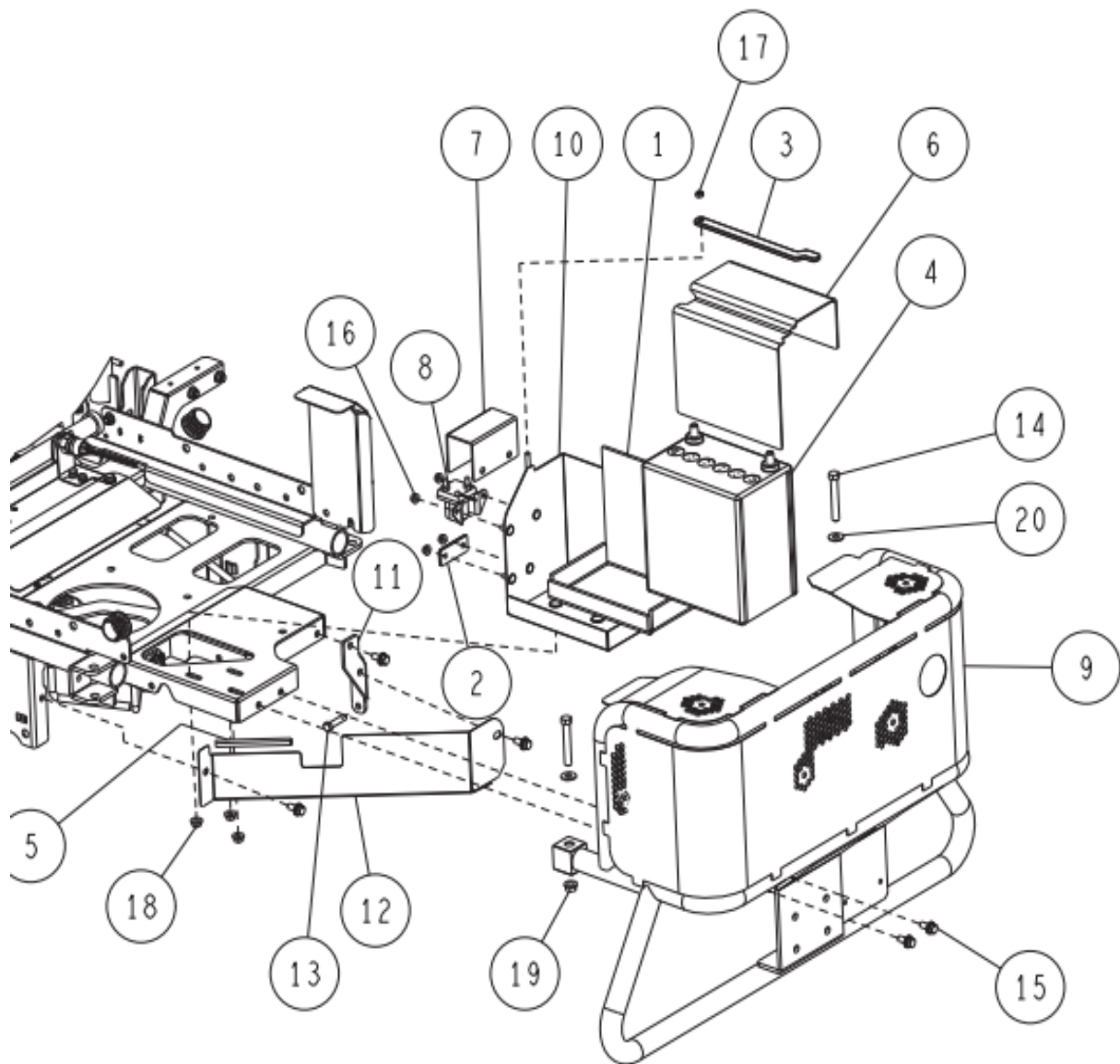


《目 次》

Frame part .....	1
Mission & HST .....	1 7
Mission part .....	1 8
H S T Part .....	2 6
Rear tire part .....	2 8
Front tire part .....	3 0
Handle part .....	3 4
Front part .....	3 7
Control part.....	4 2
Cutting part.....	4 5
Seat .....	5 1
Engine Part .....	5 4
Label .....	5 6
Wire band mounting .....	5 7

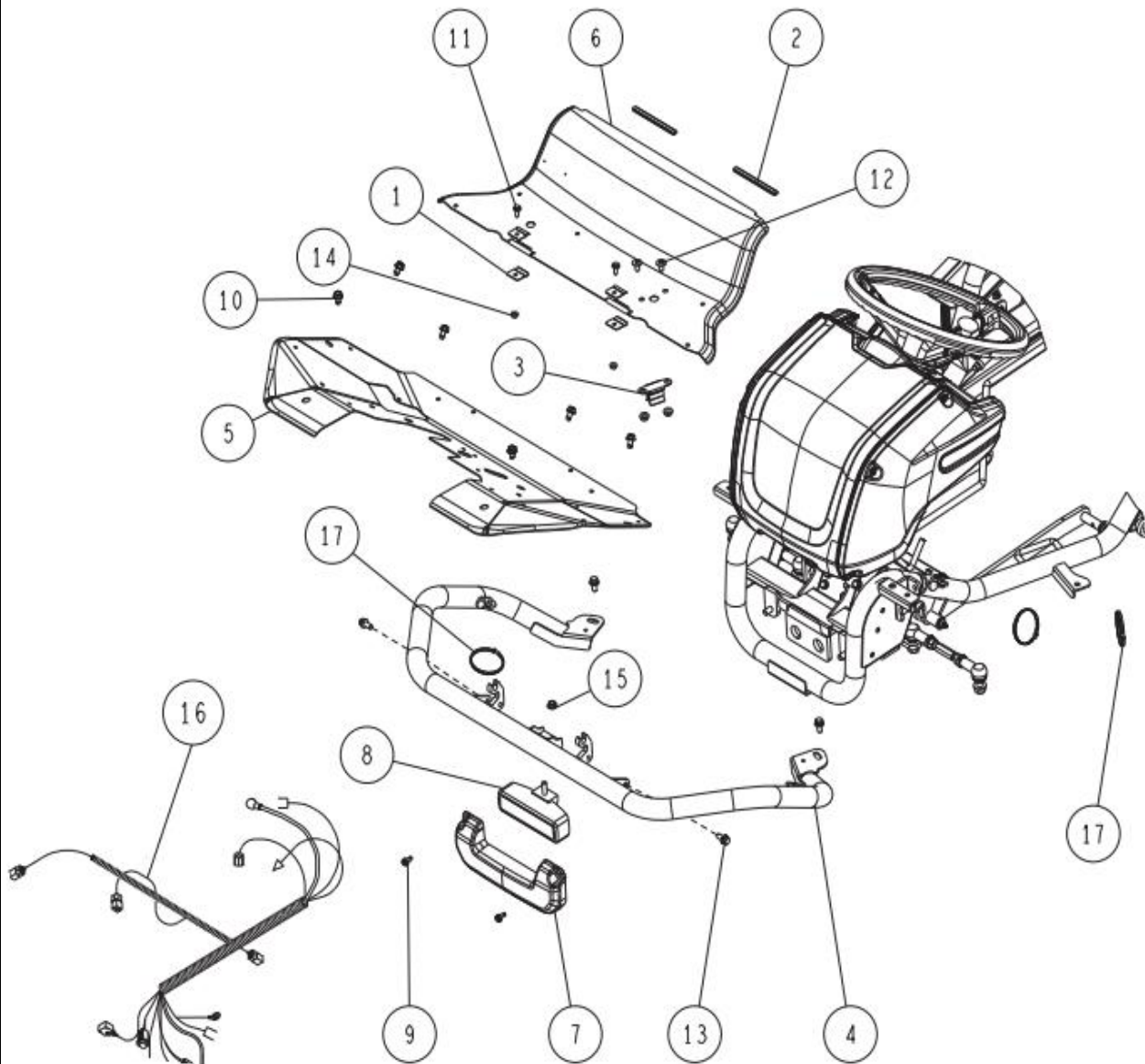


2	83-1484-369-00	Clip (5347)	20	
1	0352-72500	Step rubber	1	
NO	Parts No	Parts Name	Qty	Remarks

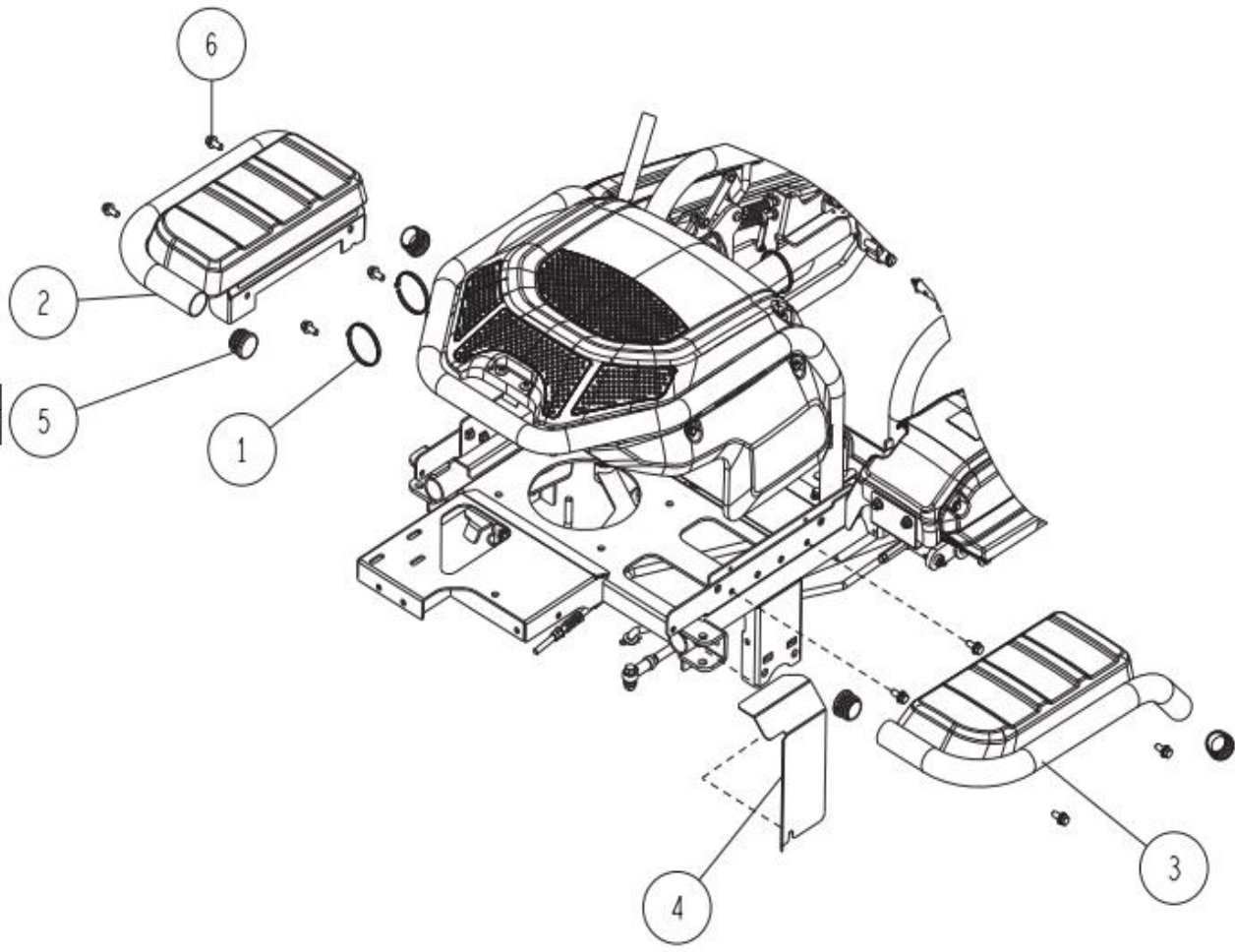


20	89-1714-100002	Flat Washer 10	2	
19	89-1631-100042	Flange Mini Hexagonal Nut M10	2	
18	89-1631-080042	Flange Mini Hexagonal Nut M8	3	
17	89-1551-060002	Hexagonal U Nut M6	1	
16	89-1531-060042	Flange Nut M6	4	
15	89-1233-080202	Mini Hexagonal Bolt (PWSW) M8*20	5	
14	89-1213-100652	Mini Hexagonal Bolt (8T) M10*65	2	
13	89-1211-080352	Mini Hexagonal Bolt M8*35	1	
12	0352-2550H	Rear belt cover (Metallic gray)	1	
11	0352-25400	Mission hanging stay CMP	1	
10	0352-2310H	Battery box CMP (Metallic gray)	1	
9	0352-2060H	Rear frame CMP (Metallic gray)	1	
8	0322-73500	Magnet switch	1	
7	0312-72900	Magnet Switch Cover	1	
6	0312-71600	Battery Cover	1	
5	0301-60400	Rubber 110L	1	
4	0244-70500	Battery (40B-19R)	1	
3	0244-60810	Battery Setting Stay	1	
2	0207-79200	Fuse Box Bracket	1	
1	80-1482-971-00	Cushion Rubber (Battery)	1	
NO	Parts No	Parts Name	Qty	Remarks

3/57 Frame part 3/16

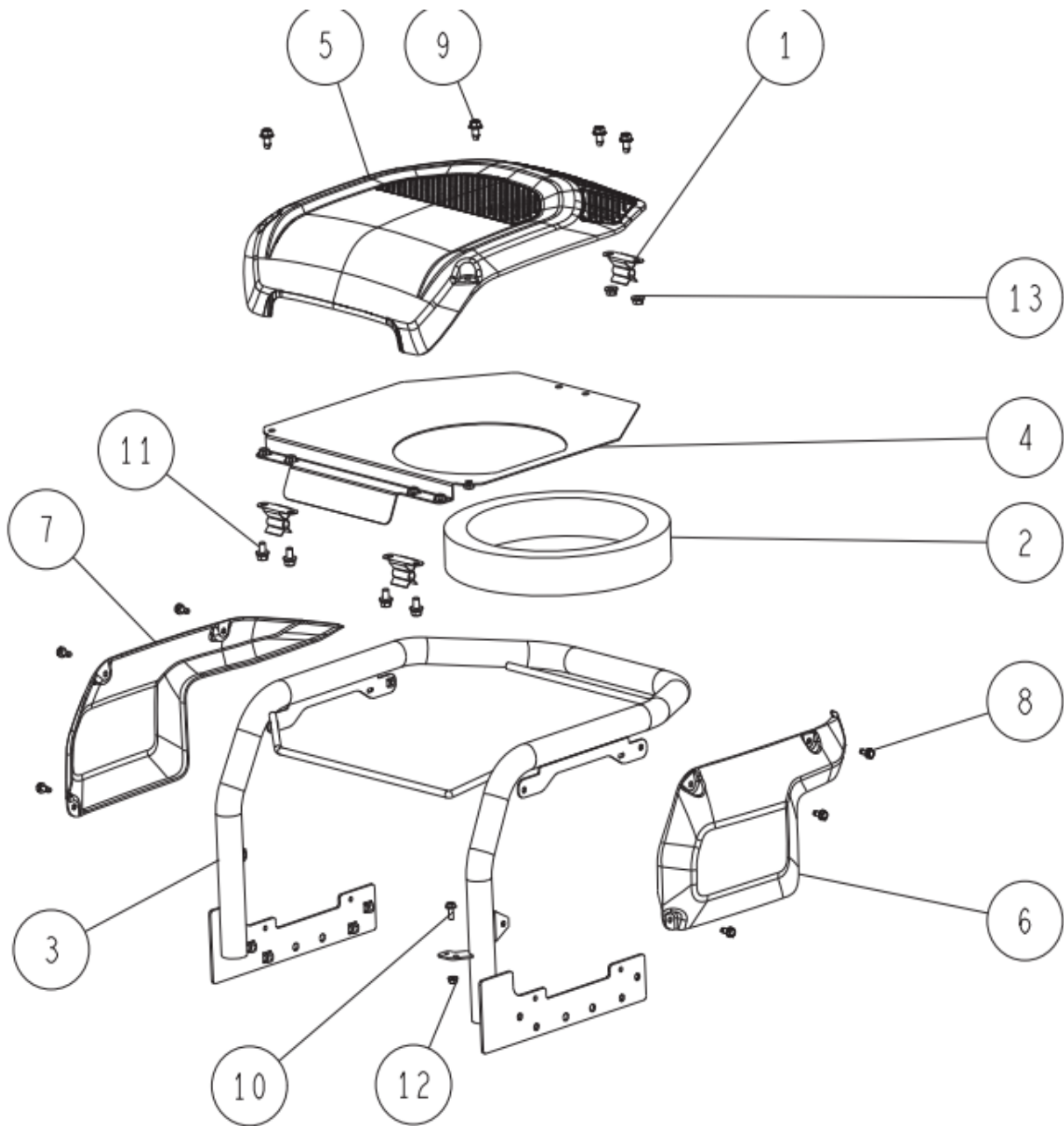


-	0352-25000	Step set (RM984)	1	5、6
17	0341-71200	Cable Ties 200L Black	3	~HYBAD00329は2ヶ
16	0352-74200	Main harness	1	
15	89-1631-080042	Flange Mini Hexagonal Nut M8	3	
14	89-1531-060042	Flange Nut M6	2	
13	89-1233-080202	Mini Hexagonal Bolt (PWSW) M8*20	4	
12	89-1159-080168	Truss Mini Screw M8*16	2	
11	89-1137-060172	Hexagonal Bolt (PW) M6*17	2	
10	0352-79700	PR Bolt (F) M8 × 16	6	
9	0352-79600	Earth Bolt (PW)M6 × 16	2	
8	0352-74100	LED Lights	1	
7	0352-70500	F under cowl	1	
6	0352-2521H	Center step CMP (metallic gray)	1	HYBAA00001~
	0352-2520H	Center step CMP (metallic gray)	1	~HYBZM00443
5	0352-2511H	Step (RM984) (Metallic Gray)	1	HYBAA00001~
	0352-2510H	Step (RM984) (Metallic Gray)	1	~HYBZM00443
	0352-2210G	Step frame CMP (green)	1	OR
3	0312-70700	Bonnet Clip	1	
2	0301-60400	Rubber 110L	2	
1	0028-70500	Center Step Hinge	4	
NO	Parts No	Parts Name	Qty	Remarks



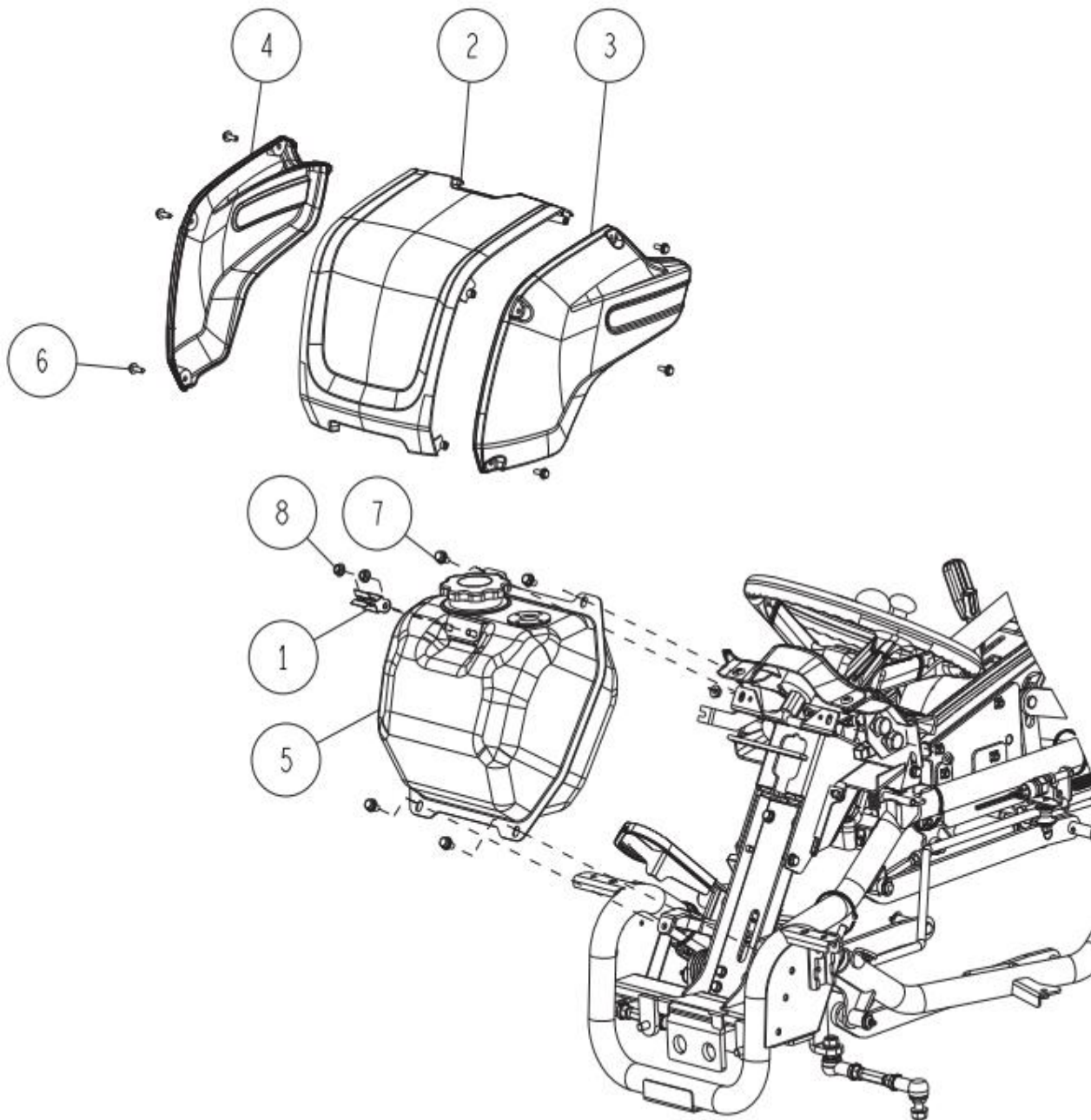
6	89-1233-080202	Mini Hexagonal Bolt (PWSW) M8*20	8	
5	0352-73800	Seal cap $\phi$ 38.1	4	
4	0352-4060H	Muffler guard (metallic gray)	1	
3	0352-2040G	Fender pipe R CMP (green)	1	OR
2	0352-2030G	Fender pipe L CMP (green)	1	OR
1	0341-71200	Cable Ties 200L Black	2	
NO	Parts No	Parts Name	Qty	Remarks

5/57 Frame part 5/16

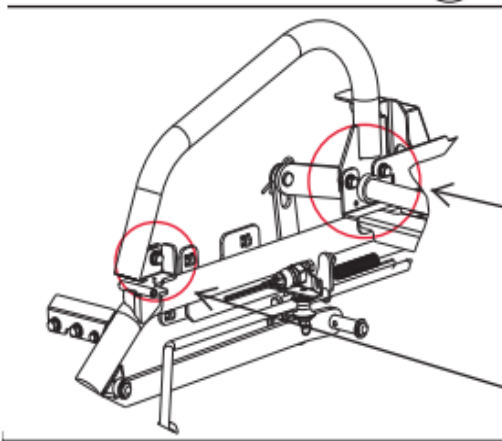
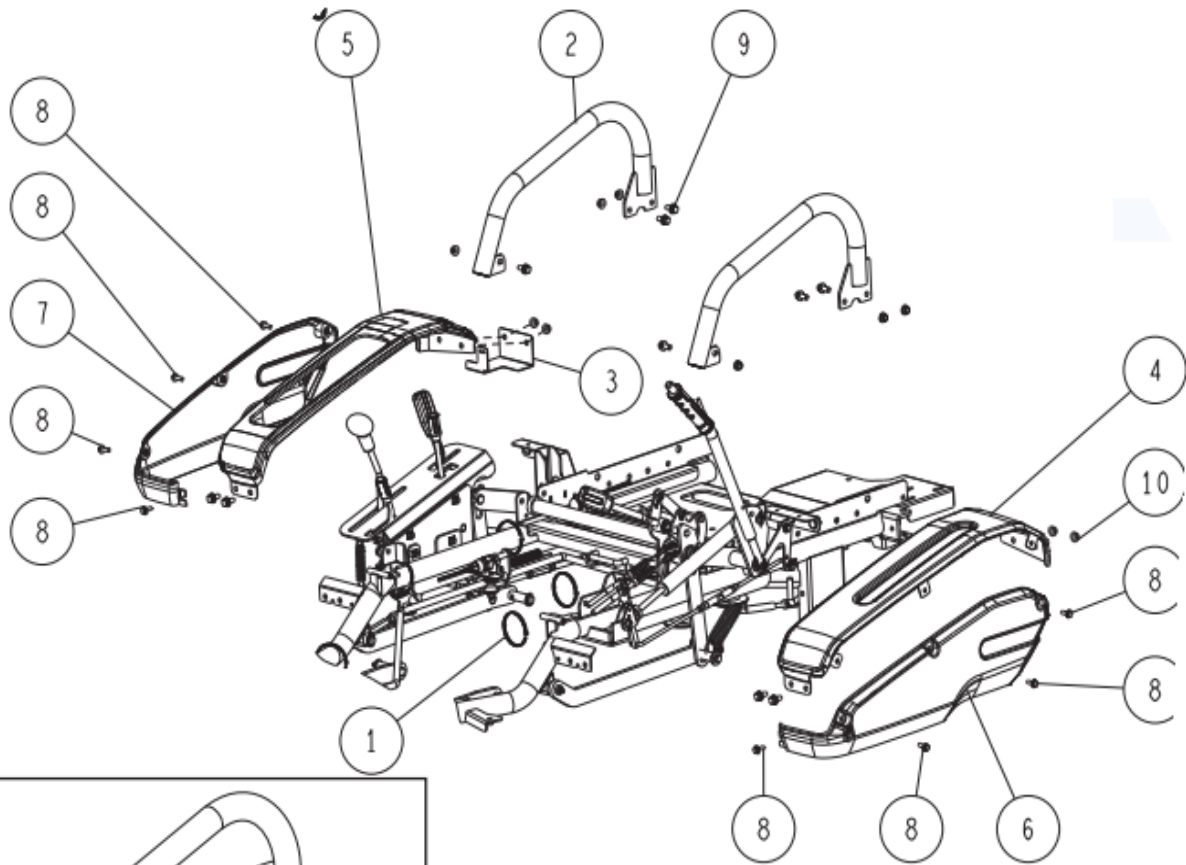


13	89-1631-080042	Flange Mini Hexagonal Nut M8	2	
12	89-1531-060042	Flange Nut M6	1	
11	89-1233-080162	Mini Hexagonal Bolt (PWSW) M8*16	4	
10	89-1137-060172	Hexagonal Bolt (PW) M6*17	1	
9	0352-79700	PR Bolt (F) M8 × 16	4	
8	0352-79600	Earth Bolt (PW)M6 × 16	6	
	0352-71400	Engine cowl R	1	IA, OR
	0352-71300	Engine cowl L	1	IA, OR
5	0352-70900	Engine bonnet	1	
4	0352-6010H	Intake cover CMP (metallic gray)	1	
	0352-2050G	Engine guard CMP (green)	1	OR
2	0312-71700	Air Intake Filter Sponge	1	
1	0312-70700	Bonnet Clip	3	
NO	Parts No	Parts Name	Qty	Remarks

6/57 Frame part 6/16



8	89-1631-080042	Flange Mini Hexagonal Nut M8	2	
7	89-1233-080162	Mini Hexagonal Bolt (PWSW) M8*16	4	
6	0352-79600	Earth Bolt (PW)M6 × 16	6	
5	0352-72000	Fuel tank ASSY	1	
	0352-70300	F Side panel R	1	IA, OR
	0352-70200	F Side panel L	1	IA, OR
	0352-7010G	Front mask CMP (green)	1	OR
1	0312-70700	Bonnet Clip	1	
NO	Parts No	Parts Name	Qty	Remarks



フレームの外側で  
ボルト留め

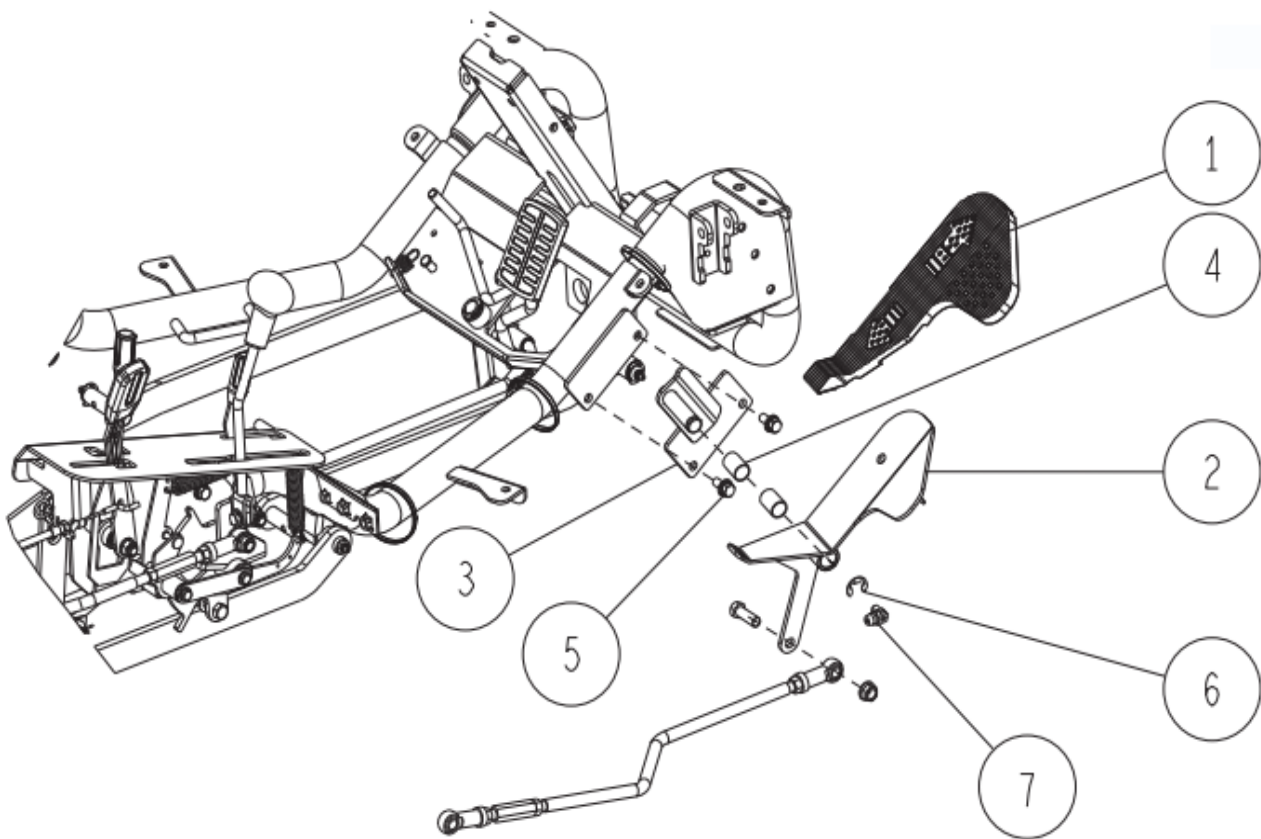
※左側も同様

フレームの内側で  
ボルト留め

サイドパイプCMP組付詳細図(右側)

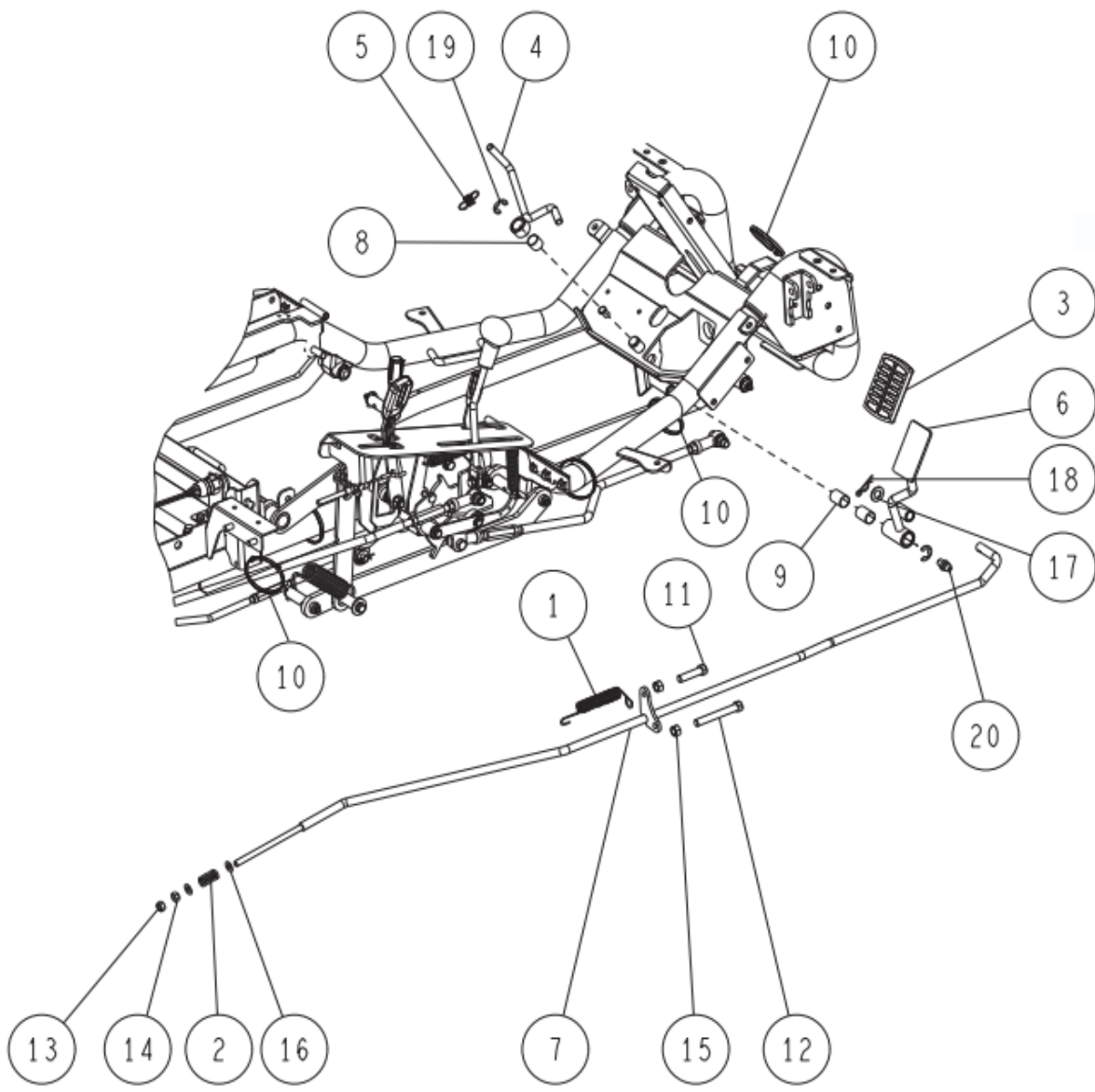
10	89-1631-080042	Flange Mini Hexagonal Nut M8	10	
9	89-1233-080202	Mini Hexagonal Bolt (PWSW) M8*20	10	
8	0352-79600	Earth Bolt (PW)M6×16	8	
7	0352-71200	Side Panel ( R)	1	OR
6	0352-71100	Side panel (L)	1	OR
5	0352-7080G	Side cowl R CMP (green)	1	OR
4	0352-7070G	Side cowl L CMP (green)	1	OR
3	0352-2320H	Relay box stay (metallic gray)	1	
2	0352-2070G	Side pipe CMP (green)	2	OR
1	0341-71200	Cable Ties 200L Black	2	
NO	Parts No	Parts Name	Qty	Remarks



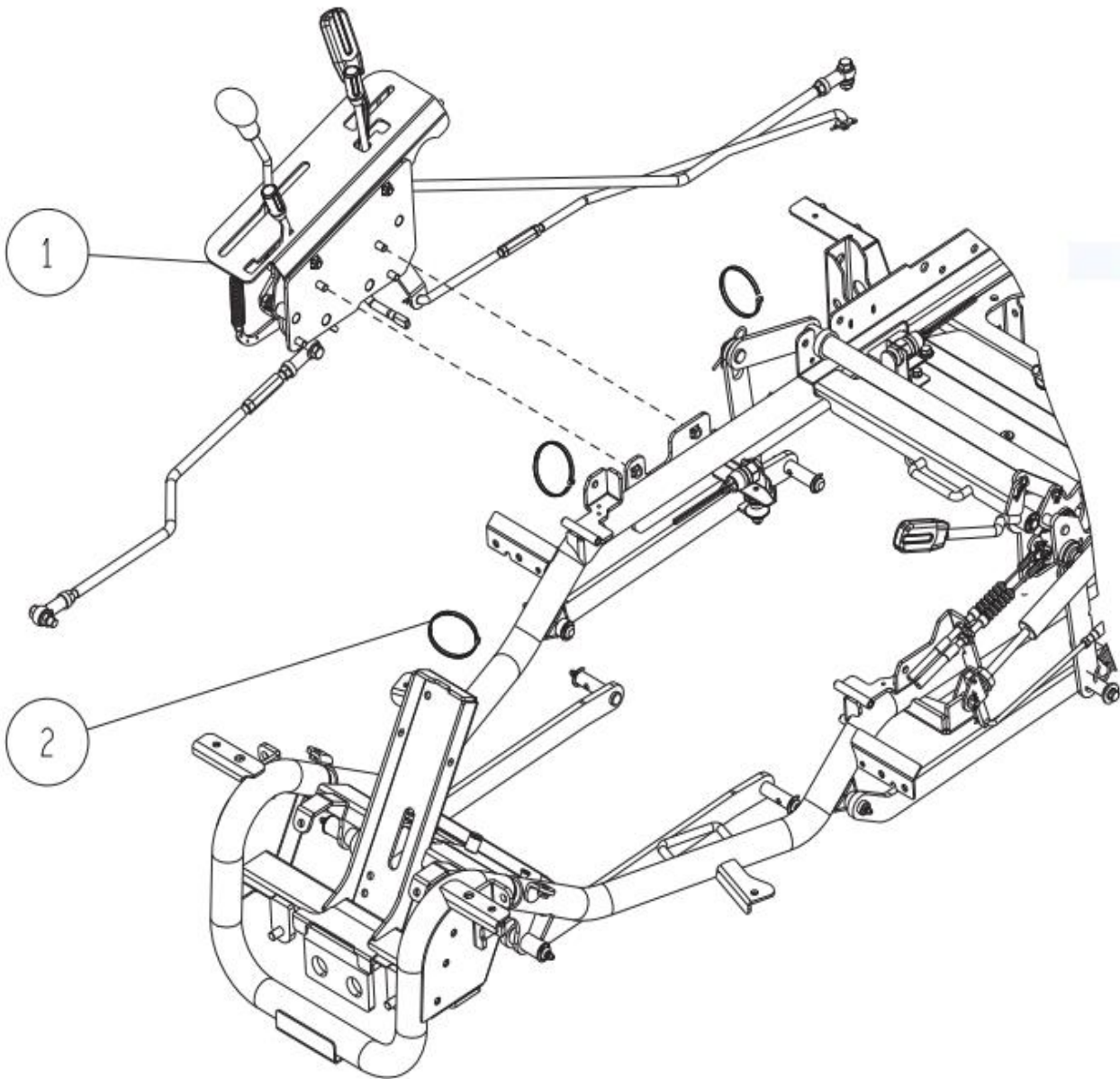


7	83-1515-975-00	Grease Nipple C-Type M6	1	HYBAJ00597~
6	89-2521-000120	E Type Ring 12	1	
5	89-1239-080202	Mini Hexagonal Bolt (PWSW) M8*20	2	
4	89-3510-016250	DU Bush 16.25	2	
3	0352-2230H	Change Pedal Base CMP (Metallic Gray)	1	
2	0352-2220H	Change Pedal CMP (Metallic Gray)	1	
1	0312-71200	Change Pedal Rubber	1	
NO	Parts No	Parts Name	Qty	Remarks

9/57 Frame part 9/16

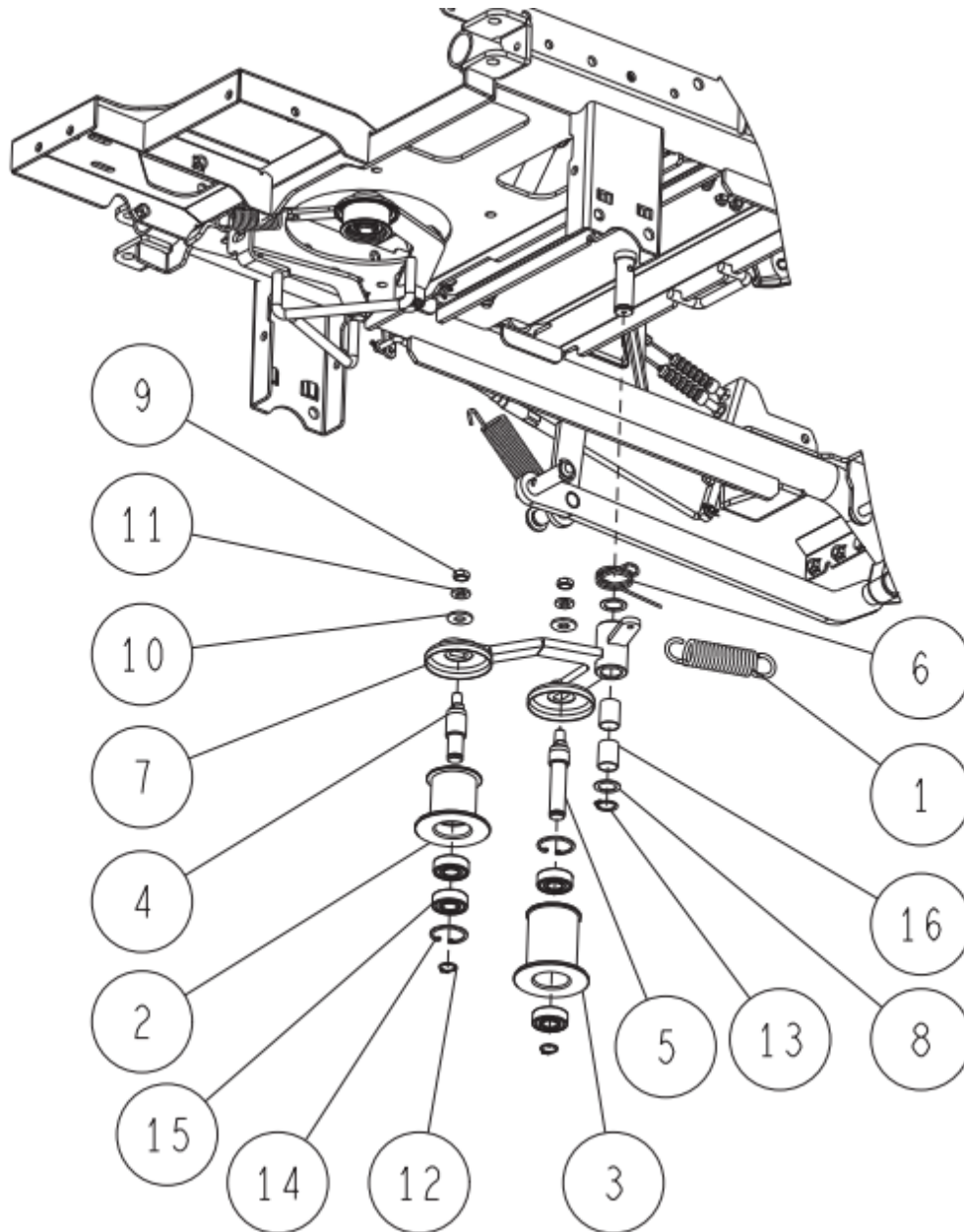


20	83-1415-975-00	Grease Nipple M6	1	HYBAH00530~
19	89-2521-000120	E Type Ring 12	2	
18	89-2131-120002	Snap Pin 12	1	
17	89-1711-120002	Flat Washer 12	1	
16	89-1711-080002	Flat Washer 8	2	
15	89-1611-100042	Mini Hexagonal Nut M10	2	
14	89-1611-080042	Mini Hexagonal Nut M8	1	
13	89-1561-080002	Mini Hexagonal U Nut M8	1	
12	89-1213-100752	Mini Hexagonal Bolt (8T) M10*75	1	
11	0352-79900	Hexagon bolt M10 × 35	1	
10	83-1711-719-00	Wire Band 200L	3	~HYBZE00210 (2PCS)
9	89-3510-016250	DU Bush 16.25	2	
8	0352-77300	Resin bush 16.15	1	
7	0352-22500	Brake rod CMP	1	
6	0352-22400	Brake pedal CMP	1	
5	0312-23200	Brake Stopper Return Spring	1	
4	0312-23100	Brake Stopper CMP	1	
3	0310-73700	Pedal Rubber	1	
2	0207-75400	Brake Spring 30	1	
1	80-1493-354-00	Rod Return Spring	1	
NO	Parts No	Parts Name	Qty	Remarks



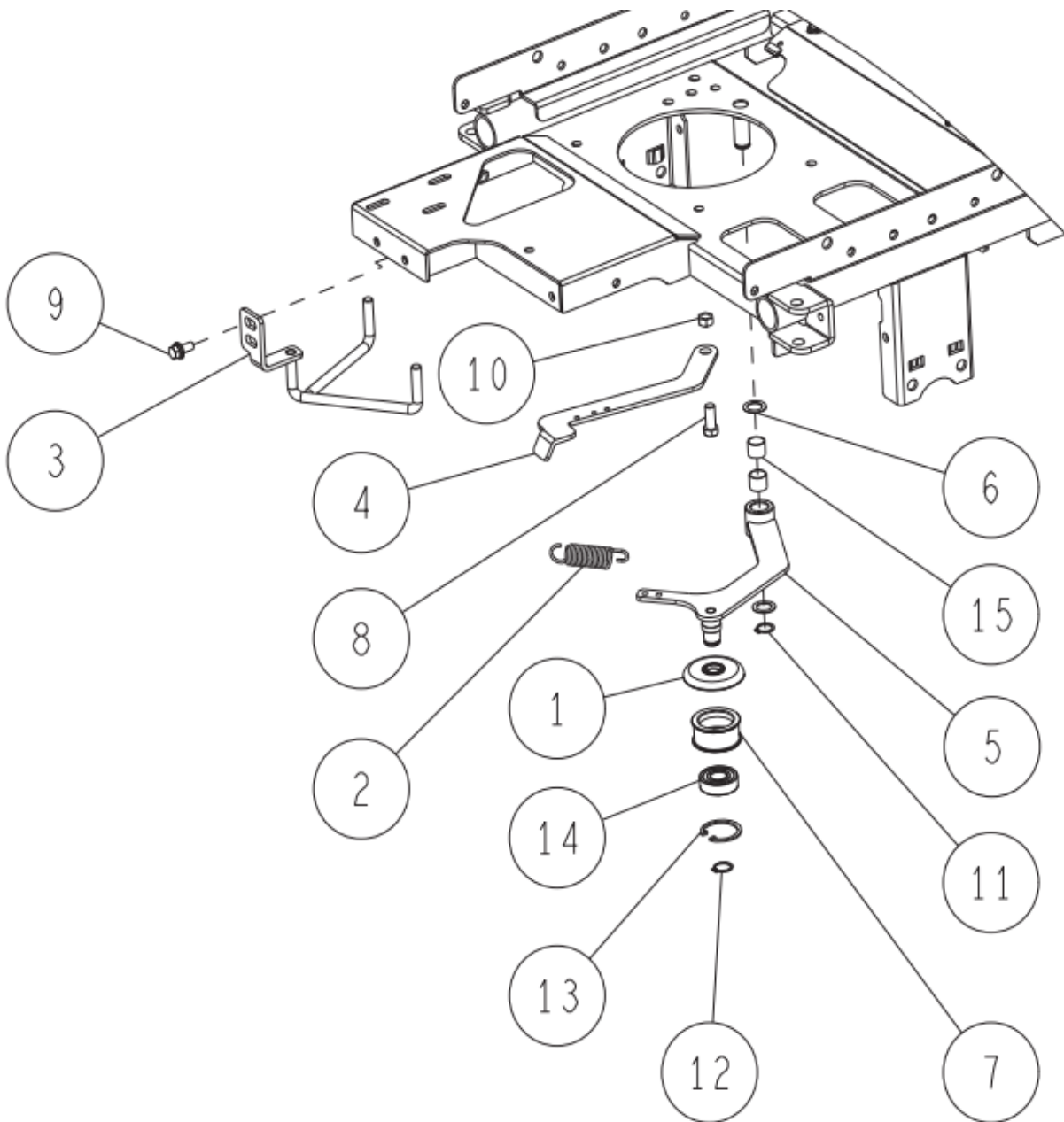
2	83-1711-719-00	Wire Band 200L	3	
1	-	Control part	1	41P~reference
NO	Parts No	Parts Name	Qty	Remarks

11/57 Frame part 11/16



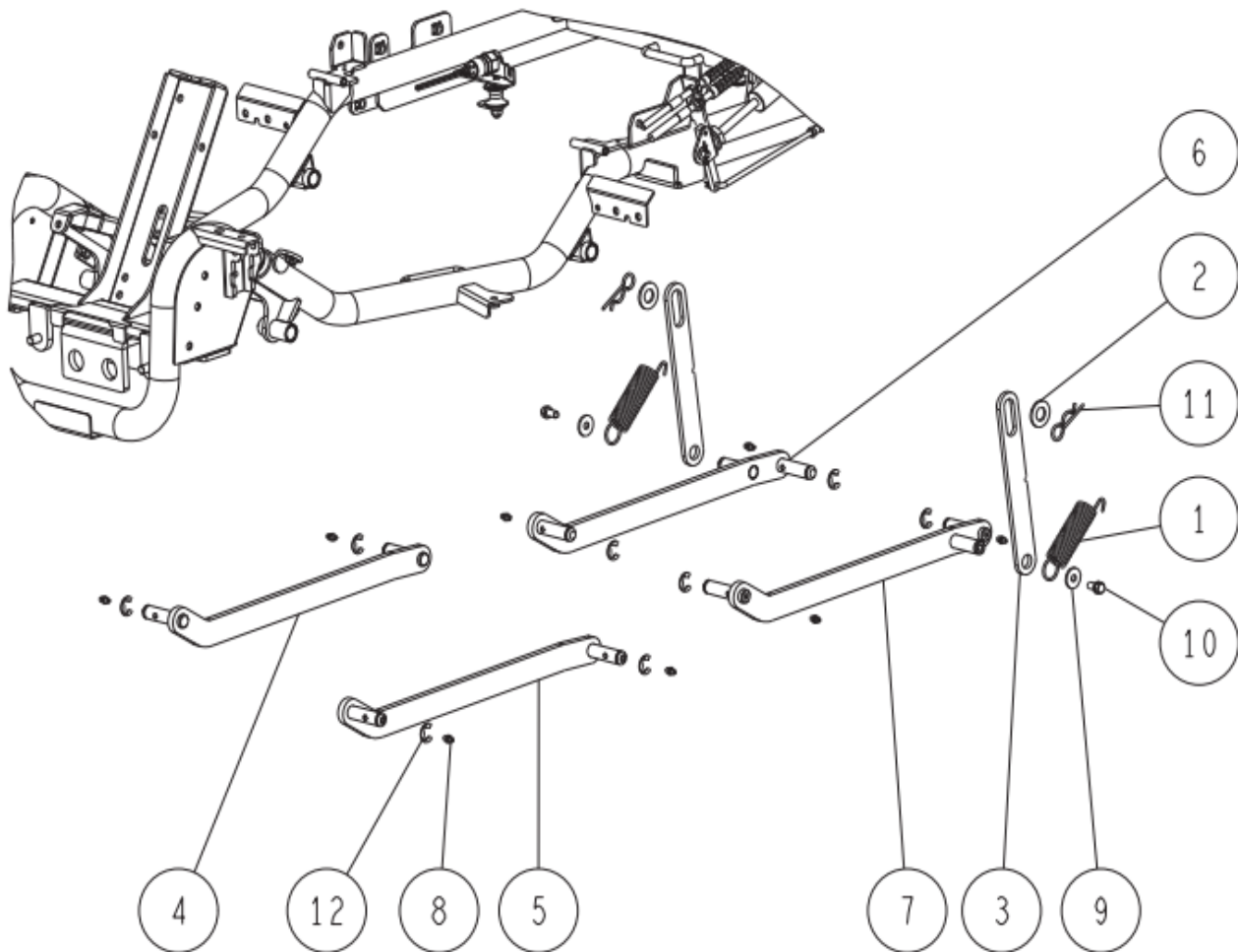
-	0227-42000	Knife Tension Pulley Set	1	2, 4, 12, 14, 15×2
-	0227-41000	Knife Tension Pulley (A) Set	1	3, 5, 12, 14, 15×2
16	89-3510-018250	DU Bush 18.20	2	
15	89-3115-062024	Bearing 6202 2RS	4	
14	89-2512-000350	Snap Ring (R35)	2	
13	89-2511-000180	Snap Ring (S18)	1	
12	89-2511-000150	Snap Ring (S15)	2	
11	89-1750-100002	Spring Washer 10	2	
10	89-1713-100002	Flat Washer 10 (Large)	2	
9	89-1613-100042	Mini Hexagonal Nut (3 sorts) M10	2	
8	83-1830-368-00	Thrust Washer 18*26*1.0	2	
7	0352-4110H	Blade Tension Arm CMP (Metallic Gray)	1	
6	0312-42300	Knife Tension Return Spring	1	
5	0244-42800	Tension Idler Shaft	1	
4	0227-40400	Knife Tension Pulley Axle	1	
3	0227-40300	Knife Tension Pulley (A)	1	
2	0227-40200	Knife Tension Pulley	1	
1	0207-78400	Spring For Knife Tension Return	1	
NO	Parts No	Parts Name	Qty	Remarks

12/57 Frame part 12/16



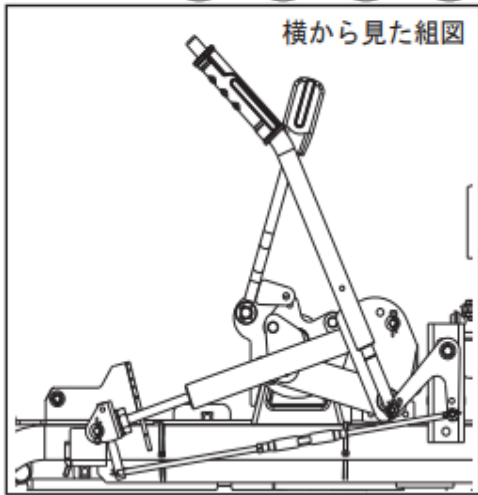
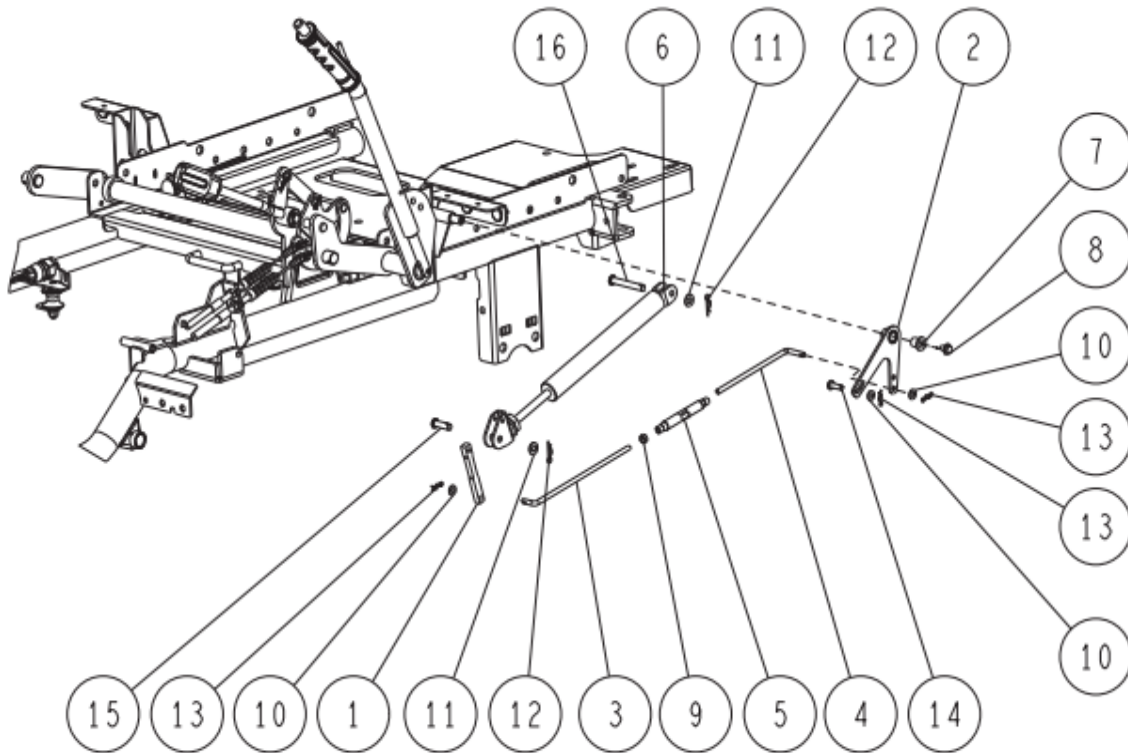
-	83-1032-760-00	Tension Pulley Assy	1	7, 13, 14
15	89-3510-016150	DU Bush 16.15	2	
14	89-3115-062034	Bearing 6203 2RS	1	
13	89-2512-000400	Snap Ring (R40)	1	
12	89-2511-000170	Snap Ring (S17)	1	
11	89-2511-000160	Snap Ring (S16)	1	
10	89-1611-100042	Mini Hexagonal Nut M10	1	
9	89-1233-080202	Mini Hexagonal Bolt (PWSW) M8*20	1	
8	89-1211-100252	Mini Hexagonal Bolt M10*25	1	
7	83-1032-765-00	Tension Pulley	1	
6	83-1020-363-00	Thrust Washer 16*24*1.0	2	
5	0347-4110H	Drive Tention Arm CMP (Metallic Grey)	1	
4	0322-4140H	Drive Tention Spring Arm (Metallic Grey)	1	
3	0312-4140H	Belt Holder CMP (Metallic Grey)	1	
2	80-1485-551-00	Driving Tension Spring	1	
1	80-1482-549-00	Rubber Cover 58	1	
NO	Parts No	Parts Name	Qty	Remarks

13/57 Frame part 13/16



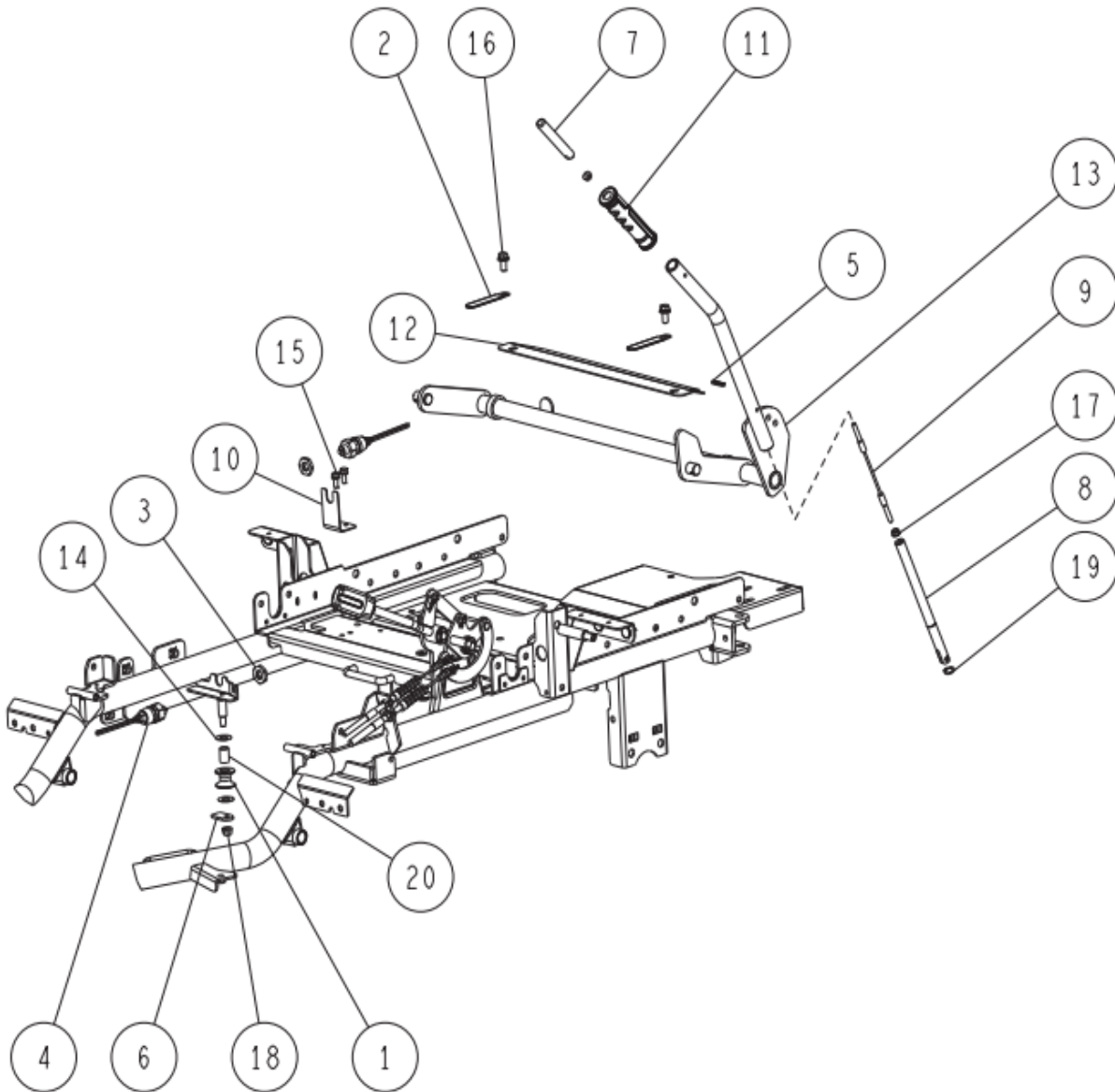
12	89-2521-000120	E Type Ring 12	8	
11	89-2131-160002	Snap Pin 16	2	
10	89-1232-080162	Mini Hexagonal Bolt (SW) M8*16	2	
9	83-1751-311-00	Flat Washer 8*25*2.3	2	
8	83-1415-975-00	Grease Nipple M6	8	
7	0352-5140H	Real Link Arm CMP (L) Metallic Gray	1	
6	0352-5130H	Real Link Arm CMP (R) Metallic Gray	1	
5	0352-5120H	Frontlink Arm CMP (L) Metallic Gray	1	
4	0352-5110H	Frontlink Arm CMP (R) Metallic Gray	1	
3	0347-5230H	Connecting Plate (Metallic Grey)	2	
2	0207-76800	Washer 16*32*2.3	2	
1	0207-76200	Spring (Up/Down)	2	
NO	Parts No	Parts Name	Qty	Remarks

14/57 Frame part 14/16



-	0322-73700	Gas Spring Free Lock Type(FLC75- 60) set	1	1, 6
-	0244-11000	Adjusting Rod Assy	1	3, 4, 5, 9
16	89-2181-080602	Flat Head Pin 8*60	1	
15	89-2181-080282	Flat Head Pin 8*28	1	
14	89-2181-060202	Flat Head Pin 6*20	1	
13	89-2132-060002	Snap Pin 6 (with stopper)	3	
12	89-2131-080002	Snap Pin 8	2	
11	89-1711-080002	Flat Washer 8	2	
10	89-1711-060002	Flat Washer 6	3	
9	89-1511-060042	Hexagonal Nut M6	1	
8	89-1137-060122	Hexagonal Bolt (PW) M6*12	1	
7	0352-77100	Resin bush 10.15.18	1	
6	0322-73900	Gas Spring Free Lock Type(FLC75- 60)	1	
5	0244-11600	Turn Buckle (Pipe Type)	1	
4	0244-11500	Adjuster Rod (L)	1	
3	0244-11400	Adjuster Rod (R)	1	
2	0244-11300	Push Rod Receiver CMP	1	
1	0244-10500	Lock Pusher	1	
NO	Parts No	Parts Name	Qty	Remarks

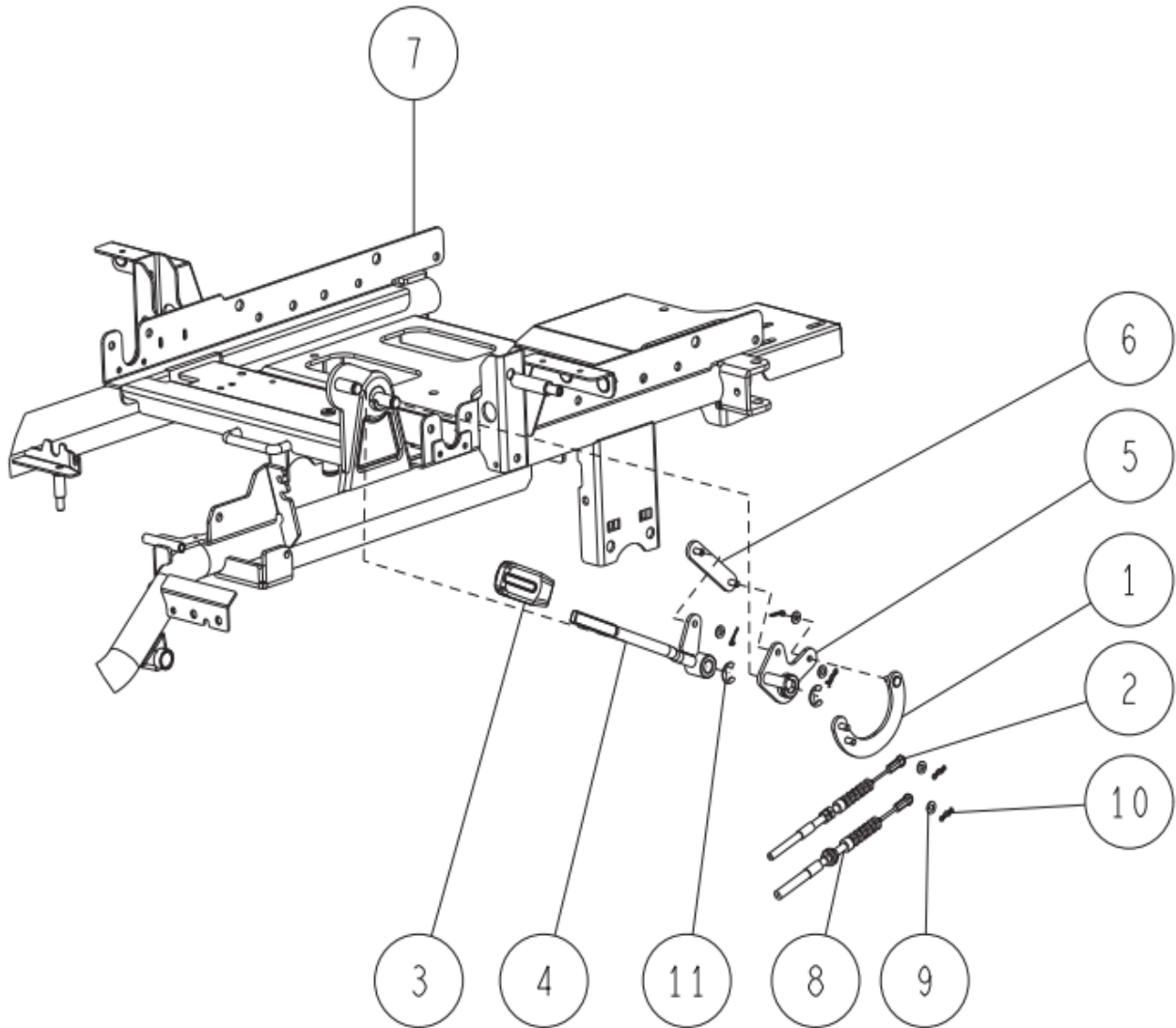
15/57 Frame part 15/16



20	89-3510-012200	DU Bush 12.20	1	
19	89-2511-000130	Snap Ring (S13)	1	
18	89-1543-080002	Mini Hexagonal Nut (SW) M8	1	
17	89-1531-060042	Flange Nut M6	2	
16	89-1233-080202	Mini Hexagonal Bolt (PWSW) M8*20	2	
15	89-1132-060162	Hexagonal Bolt (SW) M6*16	2	
14	83-1020-355-00	Thrust Washer 12*24*1.0	2	
13	0352-5210H	Vertical connecting axle CMP (Metallic gray)	1	
12	0352-2530H	Upper belt cover (Metallic gray)	1	
11	0342-74200	Cutting Height grip	1	
10	0322-13300	Safety Switch Setting Plate	1	
9	0312-71300	Push Rod Wire	1	
8	0312-14400	Push Rod (under)	1	
7	0312-14300	Push Rod (upper)	1	
6	0244-22600	Brake Rod Hanger Plate	1	
5	0229-13100	Rubber, L20	1	
4	0207-74400	Safety Switch K17850	2	
3	0207-72800	Switch Lock Nut	2	
2	80-1792-988-00	Harness Clip 8	2	
1	80-1484-354-10	Brake Rod Roller	1	
NO	Parts No	Parts Name	Qty	Remarks

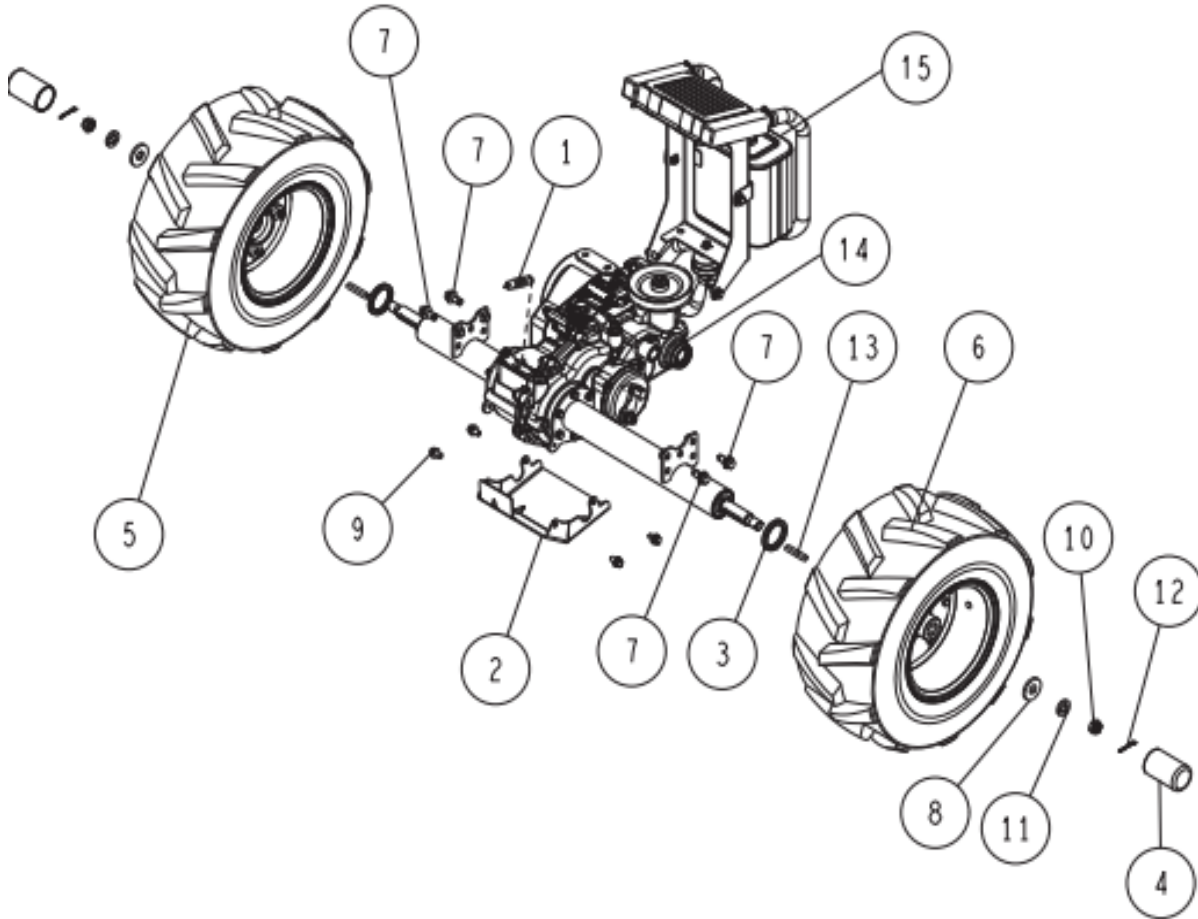


16/57 Frame part 16/16

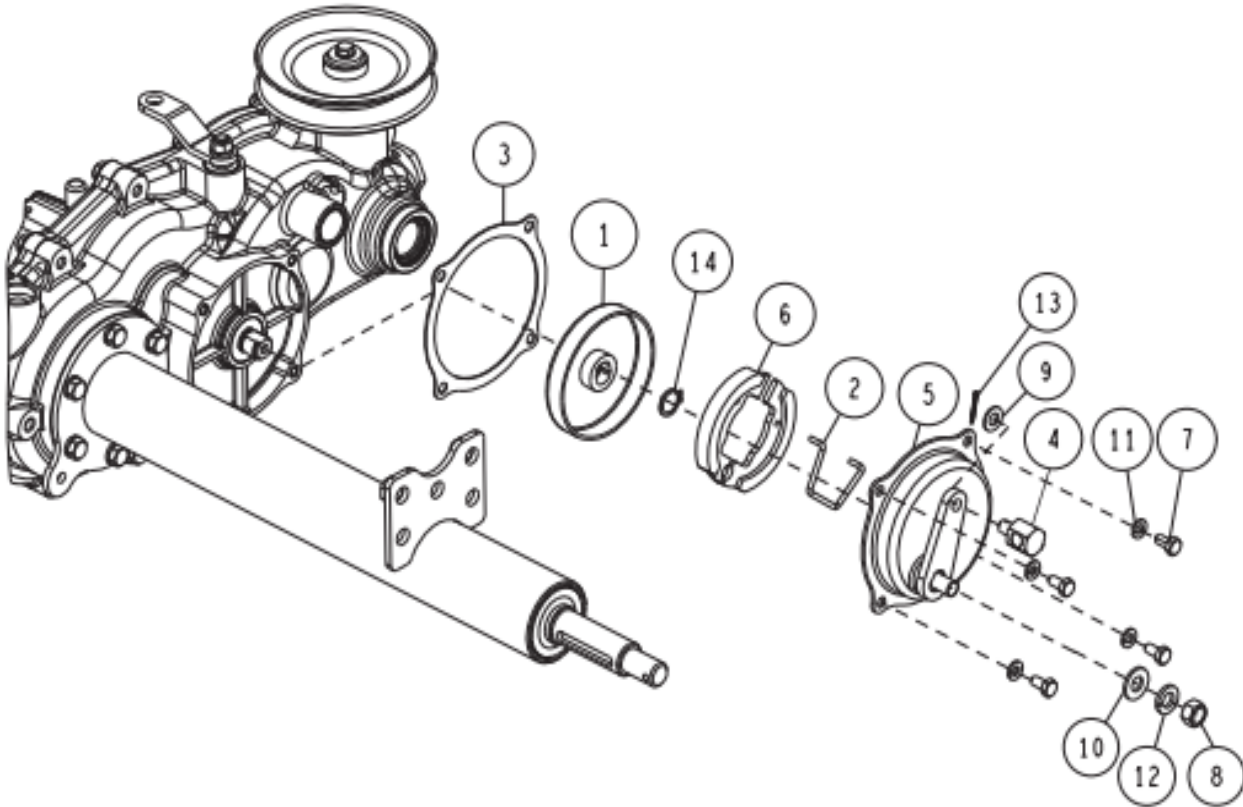


11	89-2521-000120	E Type Ring 12	2	
10	89-2132-060002	Snap Pin 6 (with stopper)	5	
9	89-1711-060002	Flat Washer 6	5	
8	0352-75600	Blade clutch wire	1	
7	0352-2010H	Frame CMP (Metallic gray)	1	
6	0352-14300	Clutch beam CMP	1	
5	0352-14200	Clutch joint CMP	1	
4	0352-1410H	Blade Clutch Lever CMP (Metallic Gray)	1	
3	0342-74100	RM grip (Red)	1	
2	0312-75210	Knife Brake Wire	1	
1	0244-13700	Wire Joint CMP	1	
NO	Parts No	Parts Name	Qty	Remarks

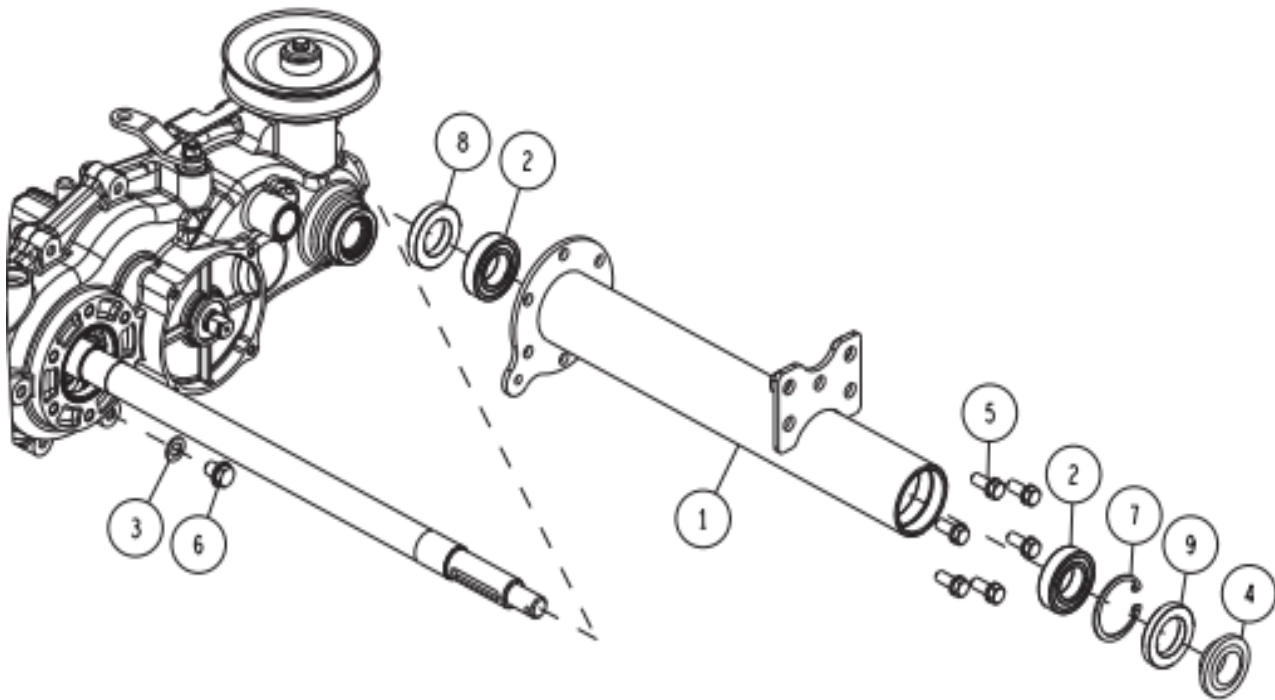
17/57 Mission & HST Part 1/1



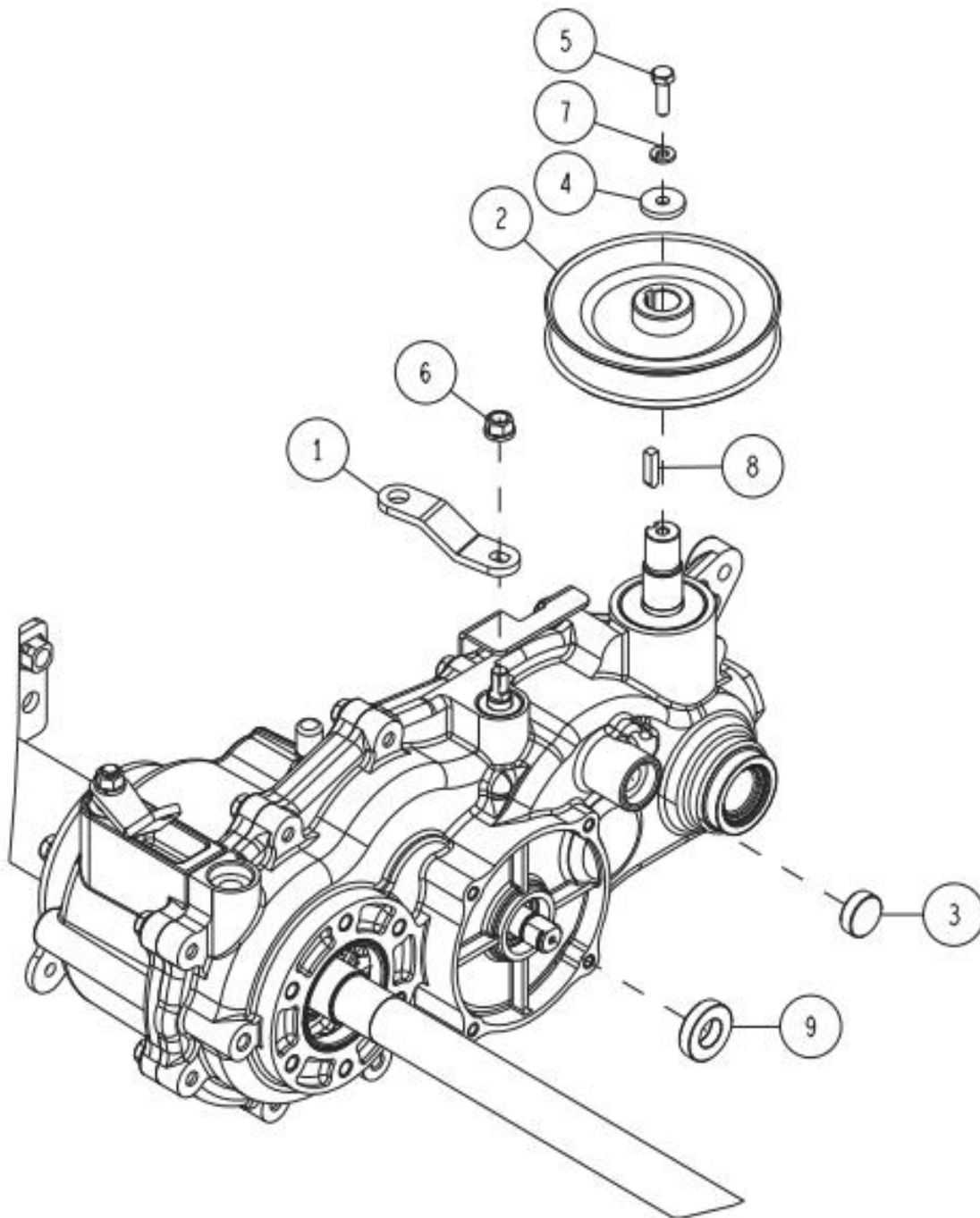
15	-	HST Part	1	26p~reference
14	0312-09100	Transmission Assy	1	18p~reference
13	89-2150-070500	Key 7*50 (round)	2	
12	89-2120-350352	Split Pin 3.5*35	2	
11	89-1750-160002	Spring Washer 16	2	
10	89-1658-160042	Low Castle Nut (2 sorts) M16	2	
9	89-1239-080162	Mini Hexagonal Bolt (PWSW) M8*16	4	
8	83-1630-335-00	Washer 16*40*4.5	2	
7	0244-83200	Mini Hexagonal Bolt (PWSW) M10*25 (7T L	4	
6	0244-74400	Rear Tire (L) Assy (17 x 8.00-8)(Include Wh	1	
5	0244-74300	Rear Tire (R) Assy (17 x 8.00-8)(Include Wh	1	
4	0227-70600	Rear Wheel Cap (φ 42*75L)	2	
3	0207-77800	Wheel Boss Dust Seal	2	
2	0207-0310H	Transmission Guard (Metallic Grey)	1	
1	80-1425-551-00	Differential Lock Spring	1	
NO	Parts No	Parts Name	Qty	Remarks



-	0207-73000	Brake Assy(with packing)	1	1, 3, 5
-	0207-73100	Brake Assy(without packing)	1	1, 5
14	89-2511-000150	Snap Ring (S15)	1	
13	89-2120-200152	Split Pin 2*15	1	
12	89-1750-100002	Spring Washer 10	1	
11	89-1750-060002	Spring Washer 6	4	
10	89-1714-100002	Flat Washer 10	1	
9	89-1711-080002	Flat Washer 8	1	
8	89-1611-100042	Mini Hexagonal Nut M10	1	
7	89-1113-060122	Hexagonal Bolt (8T) M6*12	4	
6	0244-88100	Brake Shoe Set (PA-7)	1	2 sheets -1 set
5	0207-73200	Brake Cap Assy	1	Incl. 2,6,8,10,12
4	0207-10300	Brake Joint	1	
3	0207-04100	Brake Cover PK (PA-7)	1	
2	80-1030-285-00	Spring for Brake Shoe Return	1	
1	80-1030-282-00	Brake Drum (PA-7)	1	
NO	Parts No	Parts Name	Qty	Remarks

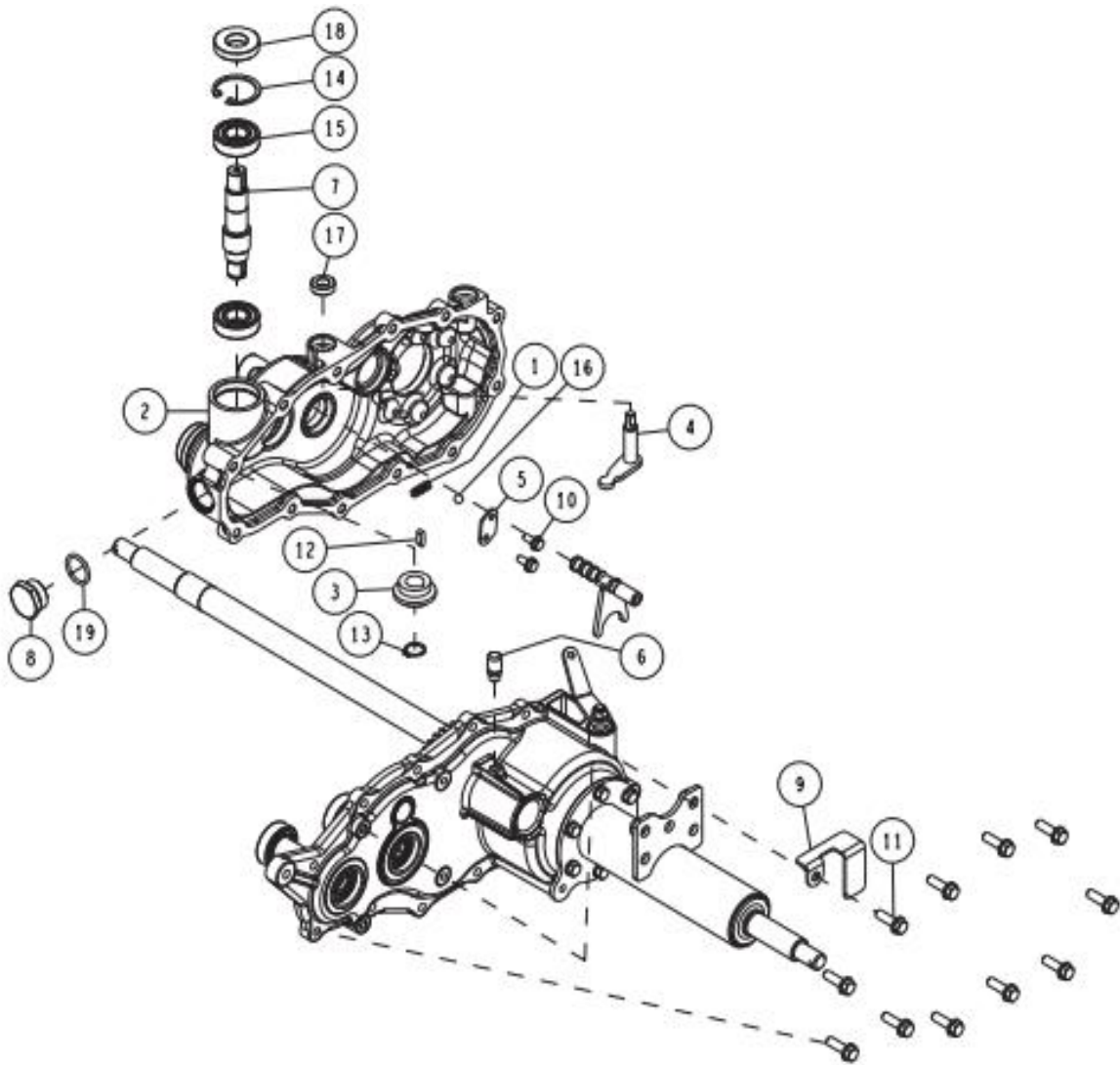


-	0244-08000	Oil Seal 25.47.15(with DP)	1	4,9
9	89-5121-304707	Oil Seal UE 30.47.7	1	
8	89-5121-284708	Oil Seal UE 28.47.8	1	
7	89-2512-000470	Snap Ring (R47)	1	
6	89-1252-100122	Flange Mini Hexagonal Bolt M10*12 (slender)	1	
5	89-1232-080202	Mini Hexagonal Bolt (SW) M8*20	6	
4	83-1415-663-00	Oil Seal DP 25.30.15	1	
3	83-1020-349-00	Copper Packing 10.5*18*1.6	1	
2	0342-77800	Bearing 6005 2NSE-NB	2	
1	0312-0110H	Axle Case (L) CMP (Metallic Grey)	1	
NO	Parts No	Parts Name	Qty	Remarks

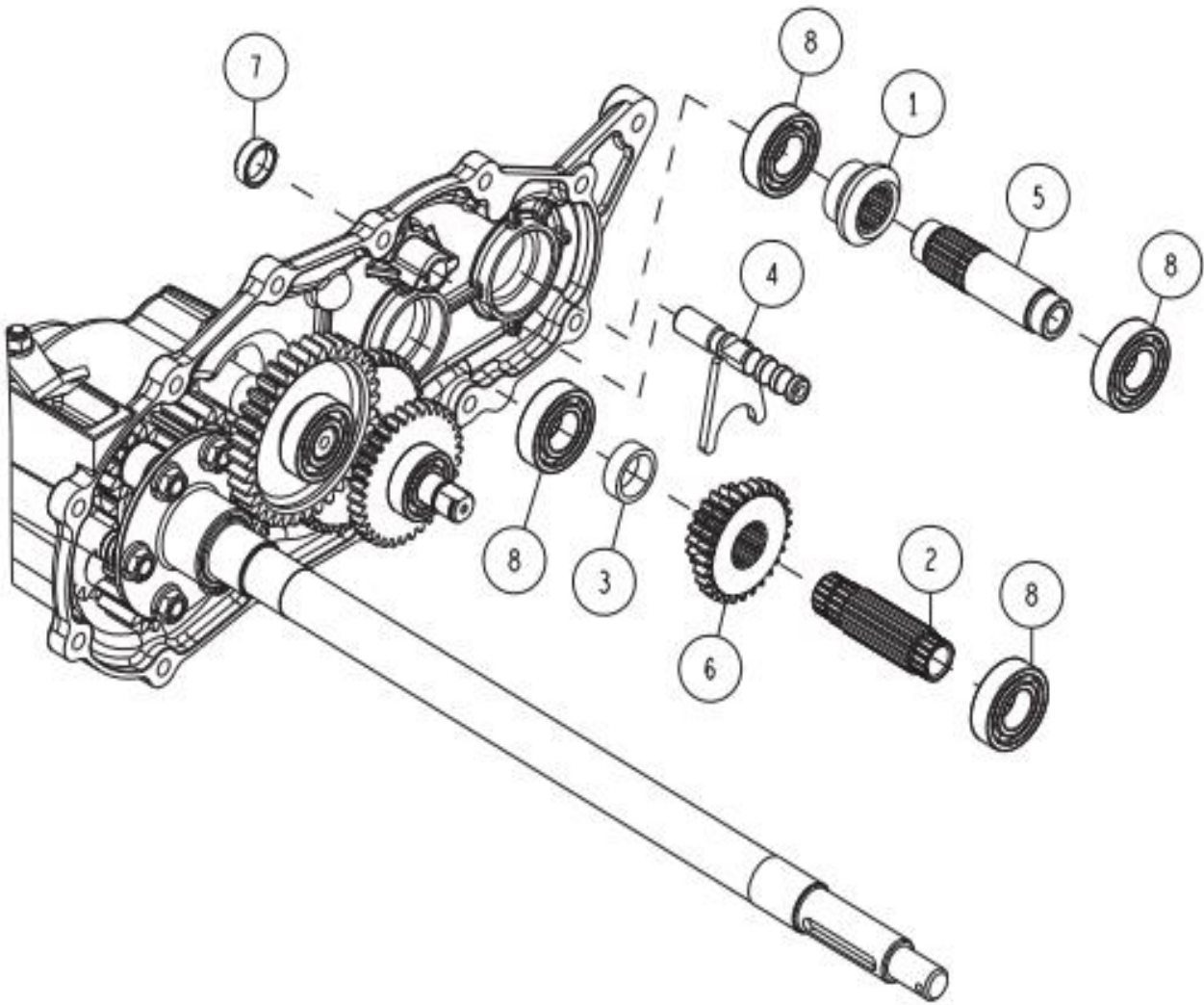


9	89-5125-153007	Oil Seal UE 15.30.07F	1	
8	89-2151-050200	Key 5*20 (half round)	1	
7	89-1750-060002	Spring Washer 6	1	
6	89-1543-080002	Mini Hexagonal Nut (SW) M8	1	
5	89-1113-060202	Hexagonal Bolt (8T) M6*20	1	
4	83-1482-311-00	Washer 6.5*22*3.2	1	
3	83-1415-671-00	Blind Cover 22	1	
2	0284-4020H	Transmission Pulley(HI) (Metallic Grey)	1	
1	0207-02500	Sub Change Arm	1	
NO	Parts No	Parts Name	Qty	Remarks

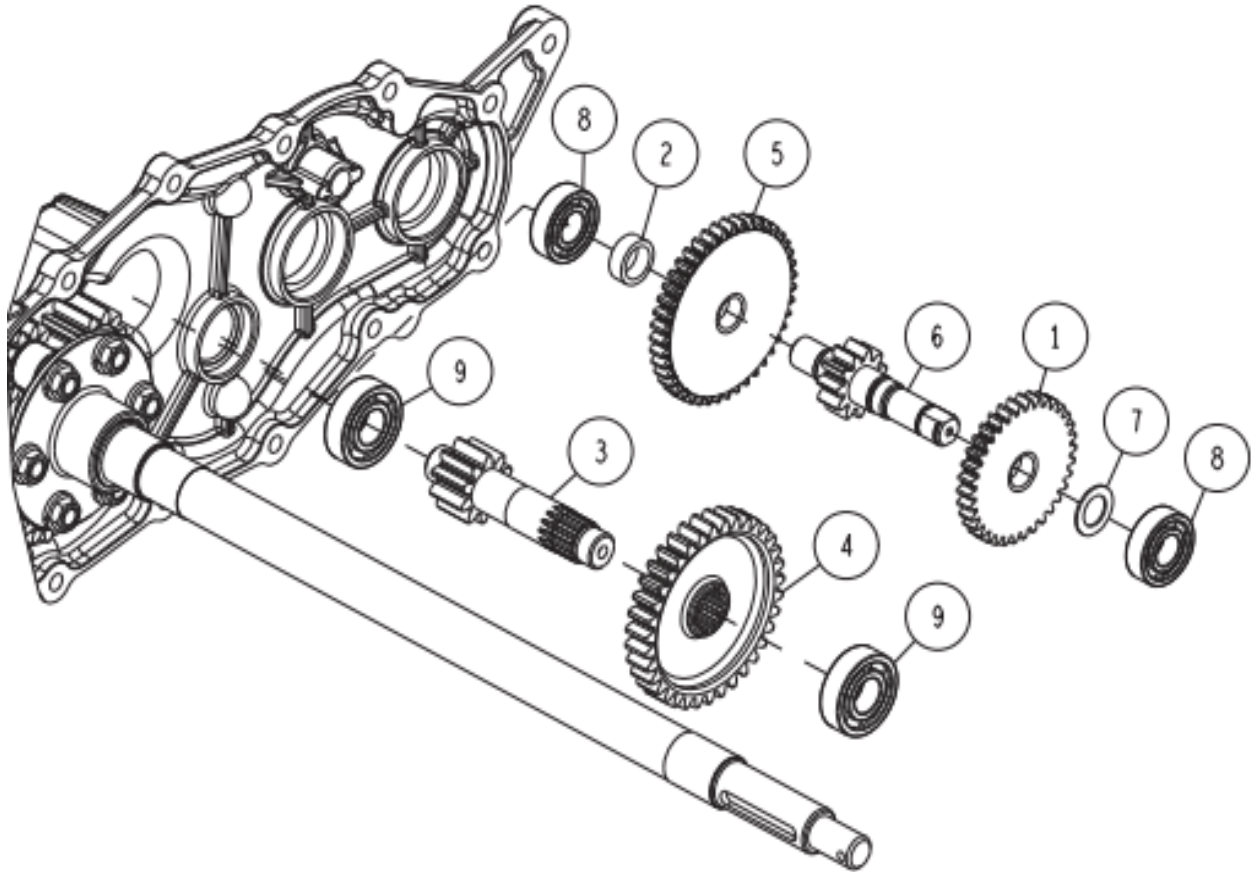
21/57 Mission Part 4/8



-	0289-01000	Oil Plug Assy (with O Ring)	1	8,19
19	89-5221-024000	O Ring P24	1	
18	89-5121-204208	Oil Seal UE 20.42.8	1	
17	89-5121-122207	Oil Seal UE 12.22.7	1	
16	89-3410-080000	Steel Ball 8.0	1	
15	89-3115-060044	Bearing 6004 2RS	2	
14	89-2512-000420	Snap Ring (R42)	1	
13	89-2511-000170	Snap Ring (S17)	1	
12	89-2150-050160	Key 5*16 (round)	1	
11	83-1482-143-00	Tapping Bolt M8*25	12	
10	83-1020-148-00	Tapping Bolt M6*14	2	
9	0342-00100	Seal Cap Holder	1	
8	0289-01100	Oil Plug Assy (without O Ring)	1	
7	0281-00300	A Axle	1	
6	0207-06100	Air Breather	1	
5	0207-01900	Shift Spring Holder	1	
4	0207-01700	Swing Arm CMP	1	
3	0207-00400	20T Spiral Miter Gear(L)	1	
2	0207-00100	Transmission Case(L)	1	
1	80-1310-138-00	Spring 1.4	1	
NO	Parts No	Parts Name	Qty	Remarks



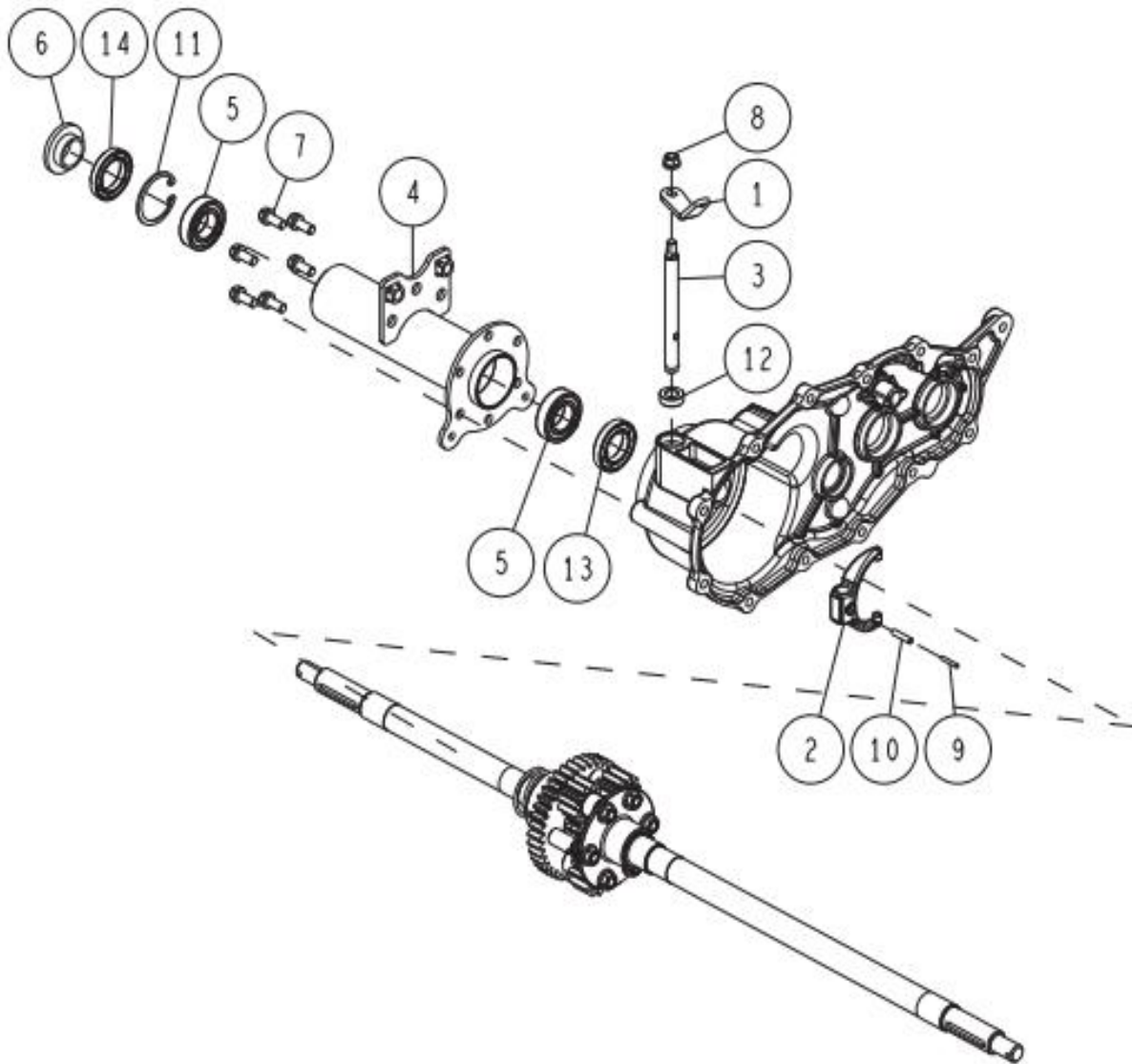
8	89-3111-060044	Bearing 6004	4	
7	83-1415-671-00	Blind Cover 22	1	
6	0312-00700	Shift Gear 19-28	1	
5	0227-00100	B Axle	1	
4	0207-01600	Shift Fork Shaft CMP	1	
3	0207-00800	C Axle Collar 9	1	
2	0207-00700	C Axle	1	
1	0207-00500	20T Spiral Miter Gear(R)	1	
NO	Parts No	Parts Name	Qty	Remarks



9	89-3111-062034	Bearing 6203	2	
8	89-3111-062024	Bearing 6202	2	
7	83-1020-361-00	Thrust Washer 15*24*1.0	1	
6	0312-01400	Brake Axle	1	
5	0312-00900	Brake Axle 43T Gear	1	
4	0312-00800	D Axle 35T Gear	1	
3	0244-00400	D Axle	1	
2	0207-01500	Brake Shaft Collar 8	1	
1	0207-01310	Brake Shaft 34T Gear	1	
NO	Parts No	Parts Name	Qty	Remarks

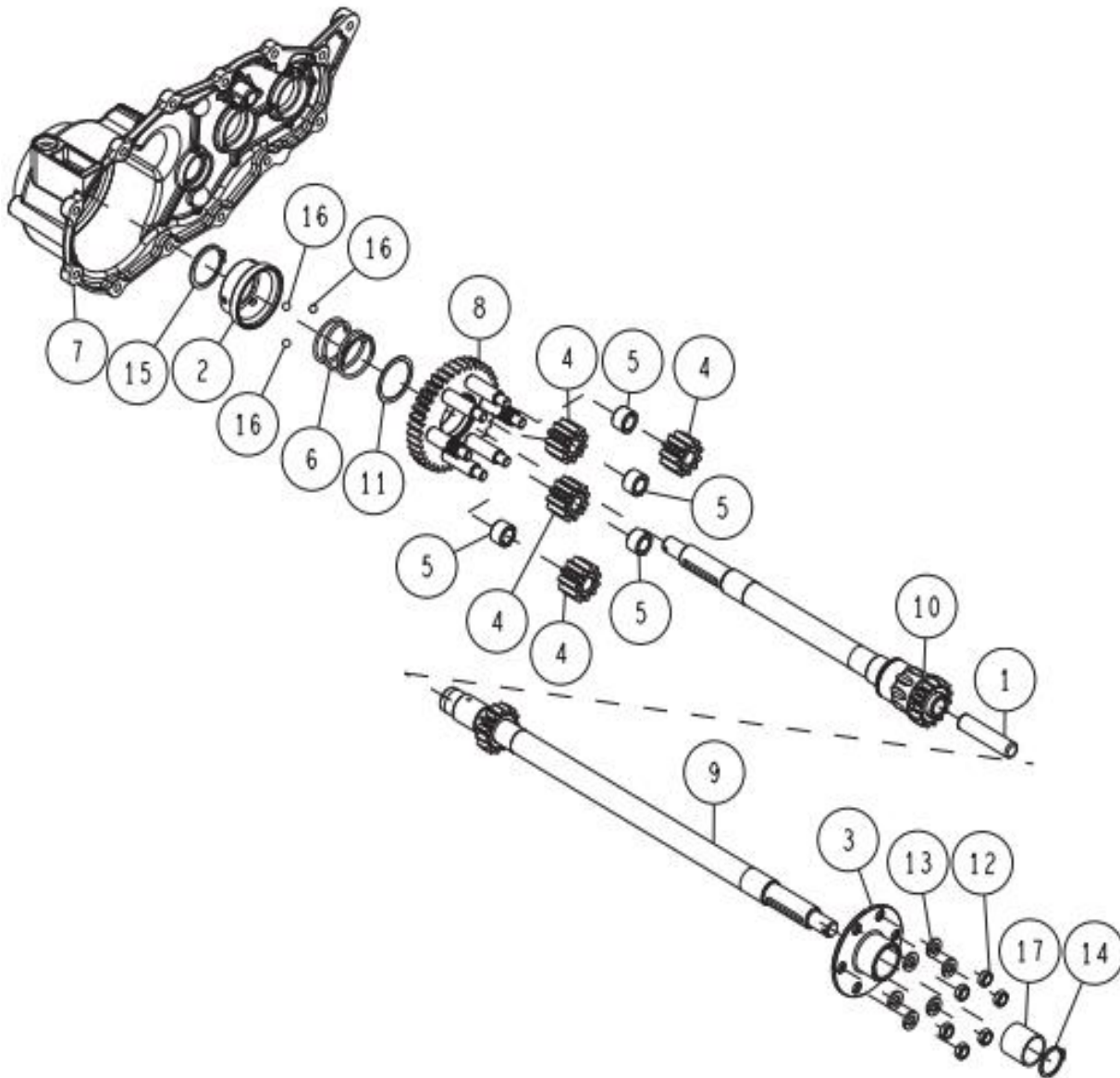


24/57 Mission Part 7/8

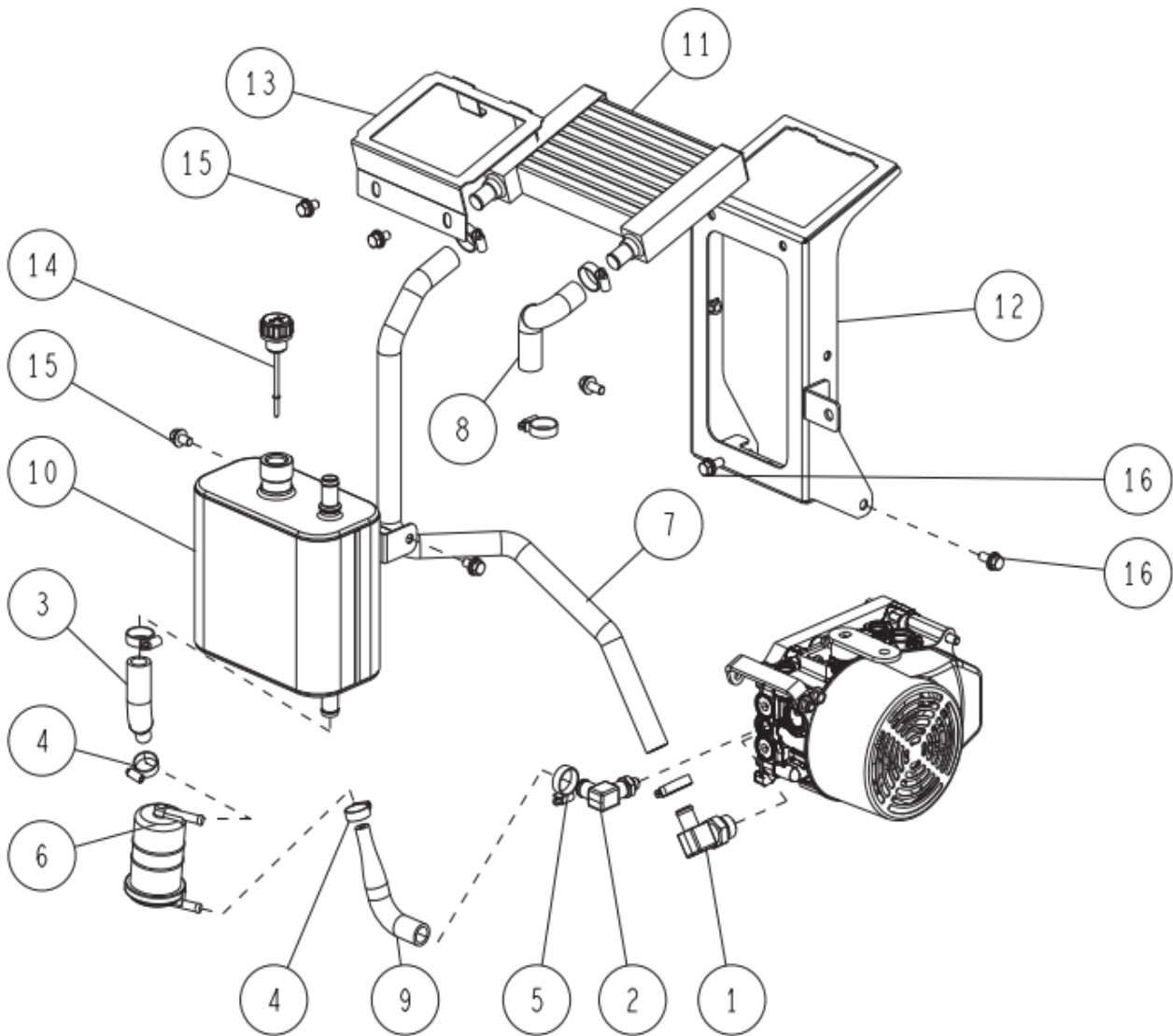


	0244-08000	Oil Seal 25.47.15(with DP)	1	6,14
14	89-5121-304707	Oil Seal UE 30.47.7	1	
13	89-5121-284708	Oil Seal UE 28.47.8	1	
12	89-5121-122207	Oil Seal UE 12.22.7	1	
11	89-2512-000470	Snap Ring (R47)	1	
10	89-2111-050022	Spring Pin 5*22	1	
9	89-2111-030020	Spring Pin 3*20	1	
8	89-1543-080002	Mini Hexagonal Nut (SW) M8	1	
7	89-1232-080202	Mini Hexagonal Bolt (SW) M8*20	6	
6	83-1415-663-00	Oil Seal DP 25.30.15	1	
5	0342-77800	Bearing 6005 2NSE-NB	2	
4	0312-0120H	Axle Case (R) CMP (Metallic Grey)	1	
3	0207-01800	Differential Lock Fork Shaft	1	
2	80-1830-113-00	Differential Lock Fork	1	
1	80-1488-153-00	Differential Lock Arm	1	
NO	Parts No	Parts Name	Qty	Remarks

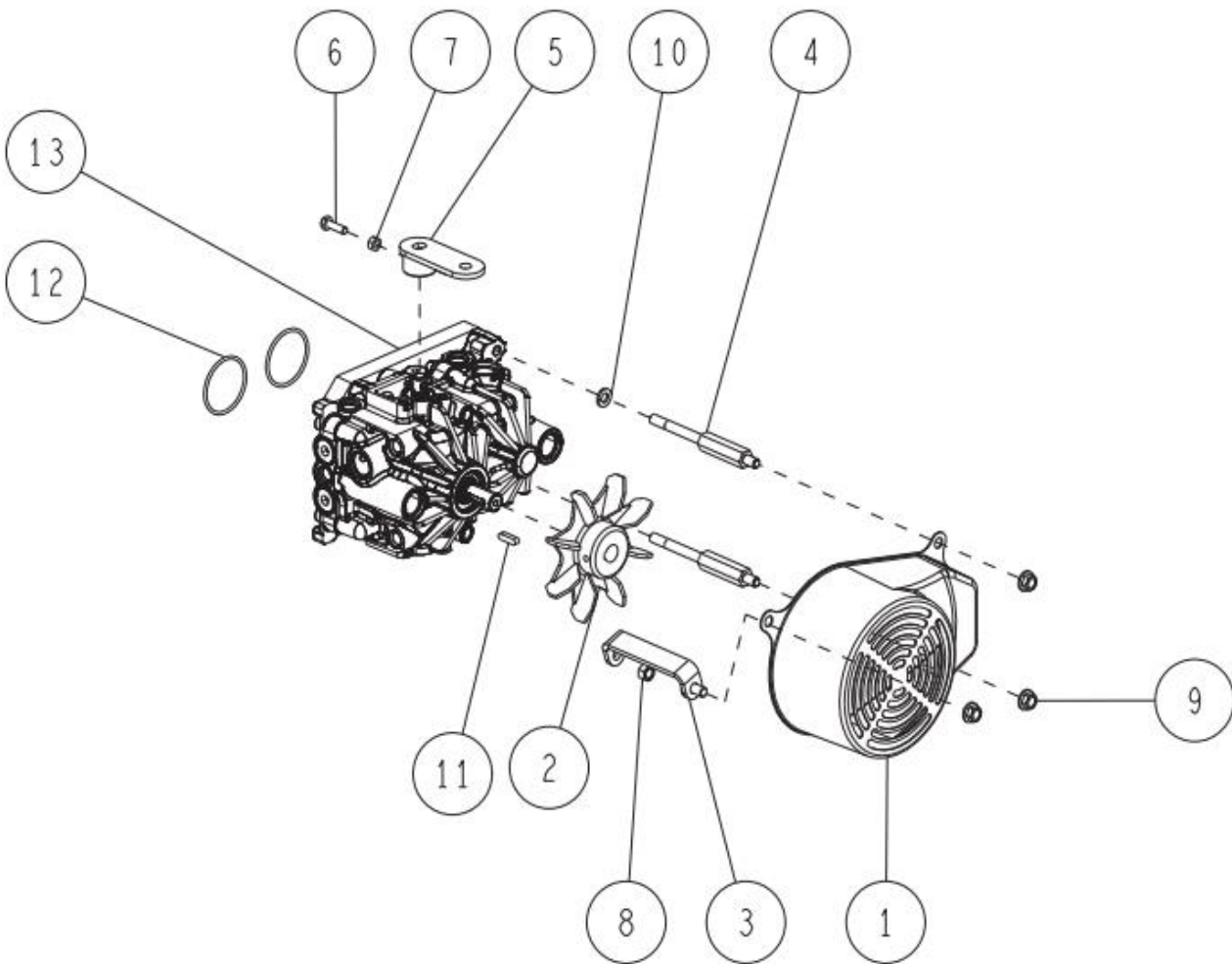
25/57 Mission Part 8/8



17	89-3510-028300	DU Bush 28.30	1	
16	89-3410-075000	Steel Ball 7.5	3	
15	89-2511-000400	Snap Ring (S40)	1	
14	89-2511-000280	Snap Ring (S28)	1	
13	89-1750-100002	Spring Washer 10	6	
12	89-1613-100042	Mini Hexagonal Nut (3 sorts) M10	6	
11	83-1830-382-00	Thrust Washer 40*48*1.0	1	
10	0312-02200	Axle (R) CMP	1	
9	0312-02100	Axle (L) CMP	1	
8	0244-00300	Axle Gear 39T CMP	1	
7	0207-00200	Transmission Case(R)	1	
6	80-1751-162-00	Differential Lock Spring	1	
5	80-1481-155-00	Differential Gear Shaft Collar	1	
4	80-1481-152-00	Differential Lock Gear 11T	4	
3	80-1481-151-00	Differential Lock Plate	1	
2	80-1425-143-00	Differential Lock Cone	1	
1	80-1415-150-00	Axle Pin	1	
NO	Parts No	Parts Name	Qty	Remarks

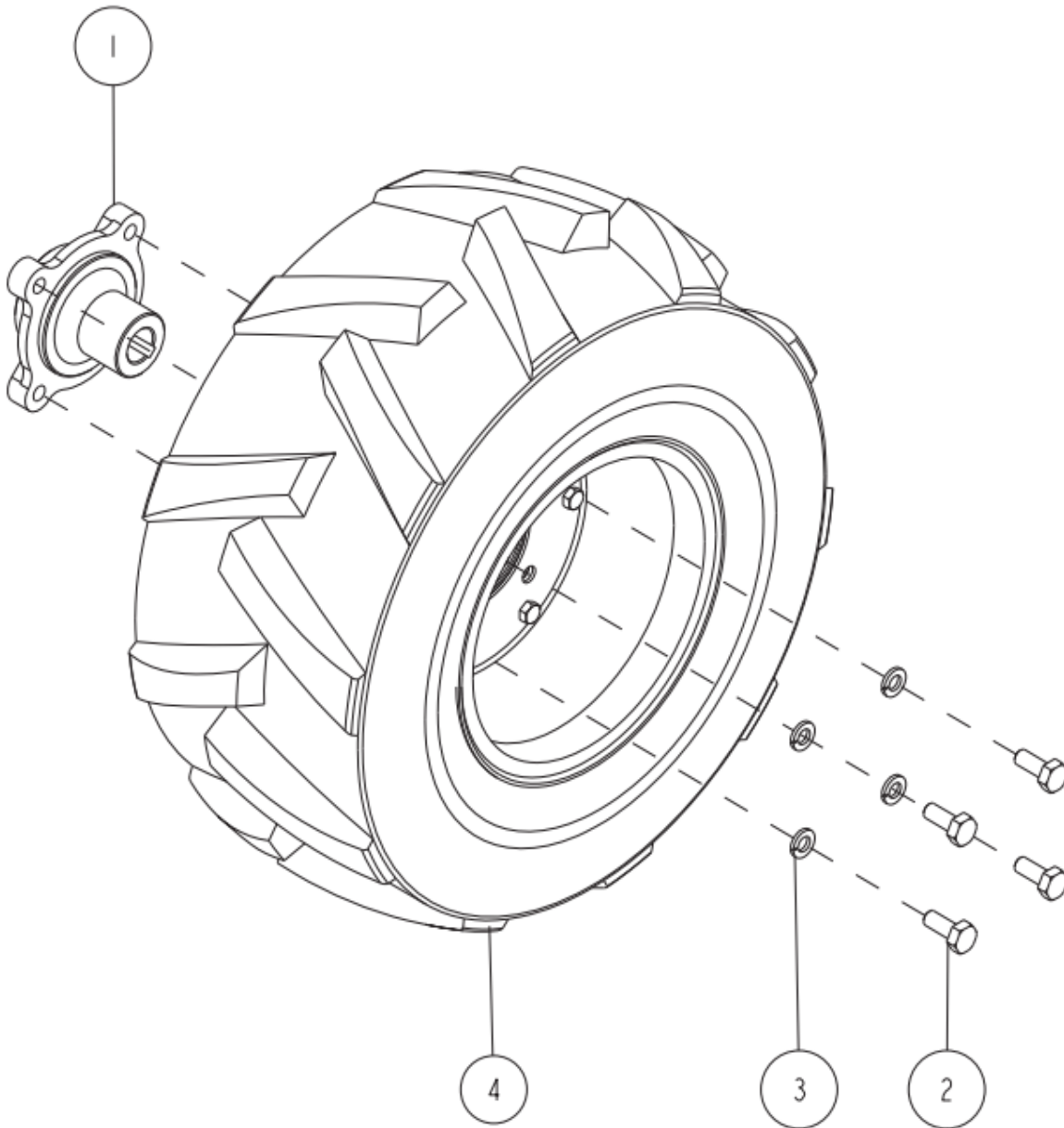


16	89-1233-080202	Mini Hexagonal Bolt (PWSW) M8*20	3	
15	89-1233-080162	Mini Hexagonal Bolt (PWSW) M8*16	4	
14	0352-78900	Oil gauge	1	
13	0352-02200	Oil cooler holder	1	
12	0352-0210H	HST stand CMP (Metallic gray)	1	
11	0352-01900	oil cooler	1	
10	0352-01100	Oil tank CMP	1	
9	0352-00300	Oil hose (filter)	1	HST側
8	0352-00200	Oil hose (tank)	1	
7	0352-00100	Oil hose (cooler)	1	
6	0347-00200	Oil Filter	1	
5	0312-74400	Hose Band 16-25	6	
4	0227-03100	Hose Clip 17	2	
3	0227-02700	HST Hose (Oil Filter)	1	オイルタンク側
2	0227-01500	Poet Joint G1/4	1	
1	0227-01400	Port Joint 7/8-14UNF	1	
NO	Parts No	Parts Name	Qty	Remarks

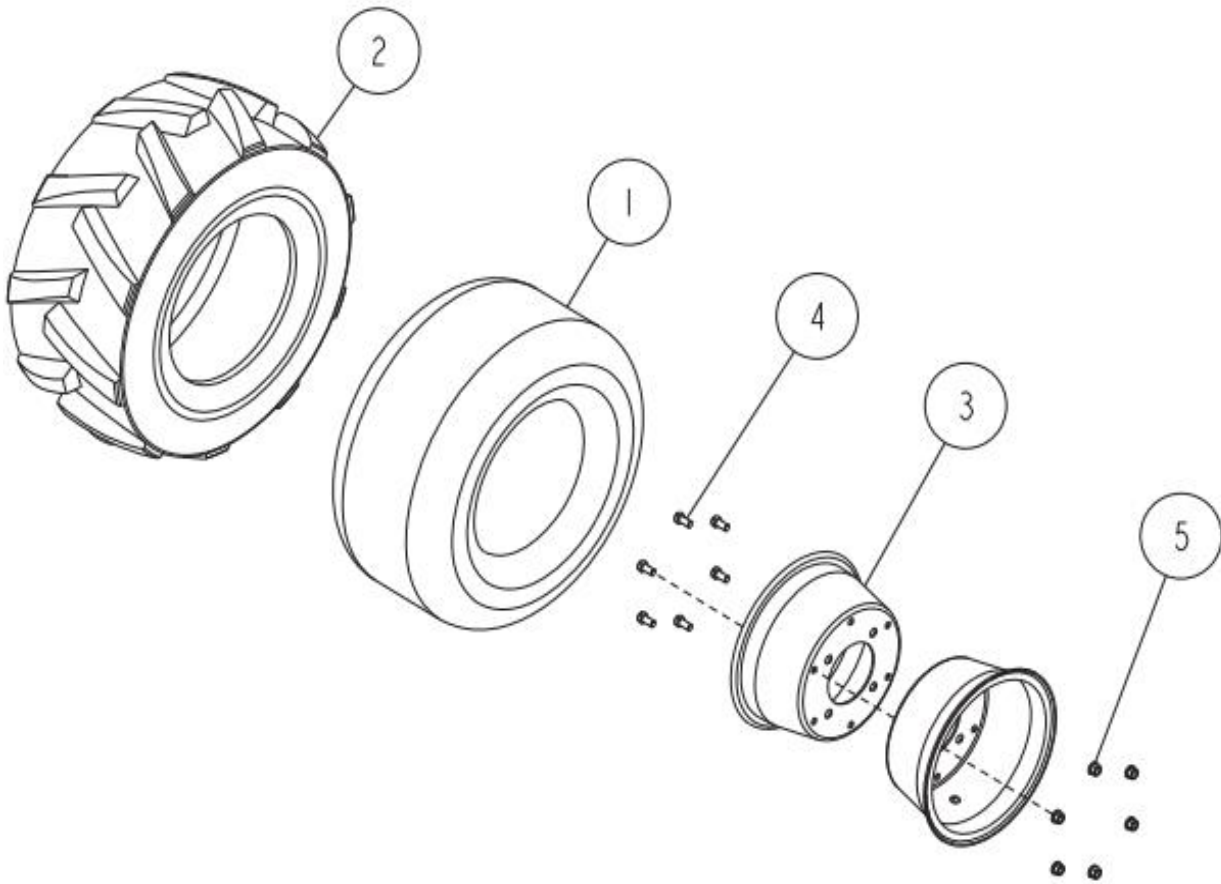


13	0312-00100	HST Unit KHS-13JH	1	
12	89-5222-045000	O Ring G45	2	
11	89-2150-050200	Key 5*20 (round)	1	
10	89-1750-080002	Spring Washer 8	2	
9	89-1631-080042	Flange Mini Hexagonal Nut M8	3	
8	89-1561-080002	Mini Hexagonal U Nut M8	1	
7	89-1511-060042	Hexagonal Nut M6	1	
6	89-1113-060202	Hexagonal Bolt (8T) M6*20	1	
5	0312-0150H	Control Arm CMP (Metallic Grey)	1	
4	0227-02300	Double Spring Bolt 125	2	
3	0227-0220H	Fan Cover Stay CMP (Metallic Grey)	1	
2	0227-00300	Fan (RM980F)	1	
1	0207-0720H	Fan Cover (Metallic Grey)	1	
NO	Parts No	Parts Name	Qty	Remarks

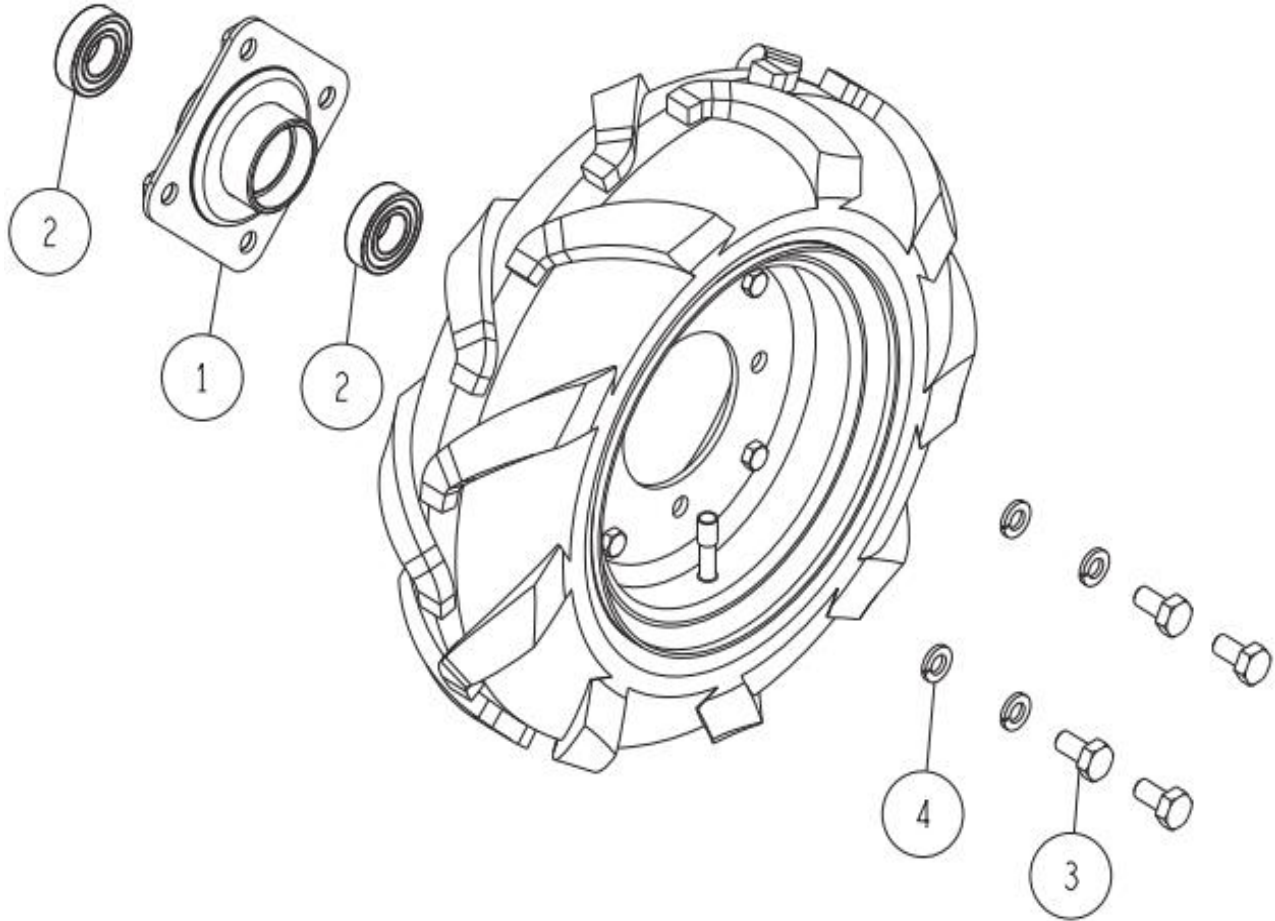
Rear wheel tire ASSY , L and R with Boss 1/2



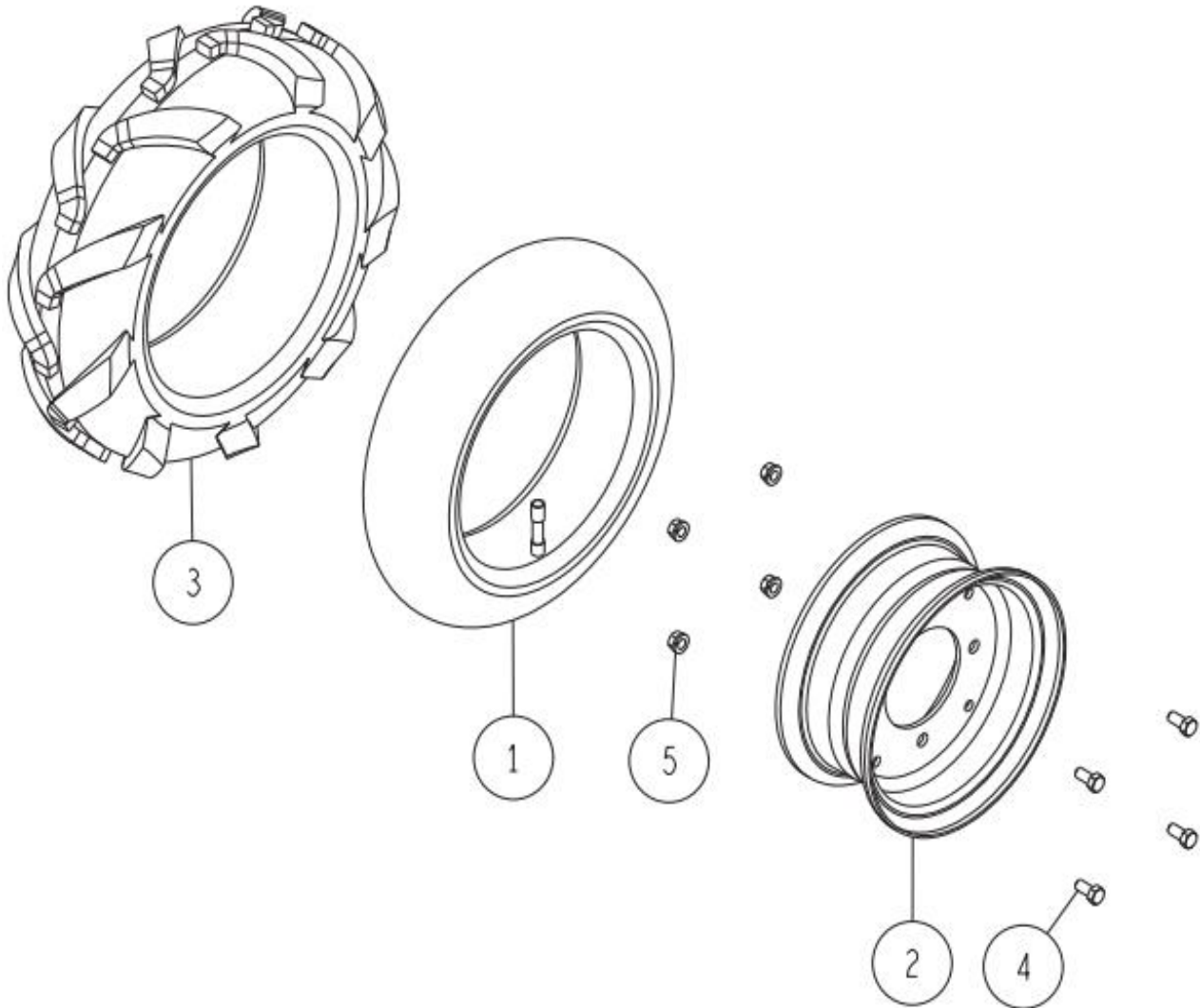
4	0244-78500	Tire (L) Assy (17*8.00-8)	1	
	0244-78400	Tire (R) Assy (17*8.00-8)	1	
3	89-1750-100002	Spring Washer 10	4	
2	89-1213-100252	Mini Hexagonal Bolt (8T) M10*25	4	
1	0207-31201	Rear Wheel Boss (White)	1	
NO	Parts No	Parts Name	Qty	Remarks



5	89-1543-080002	Mini Hexagonal Nut (SW) M8	6	
4	89-1213-080162	Mini Hexagonal Bolt (8T) M8*16	6	
3	0244-78800	Wheel Assy 17*800-8	1	
2	0244-78610	Tire 17*8.00-8	1	
1	0244-78300	Tire Tube 17*8.00-8	1	
NO	Parts No	Parts Name	Qty	Remarks



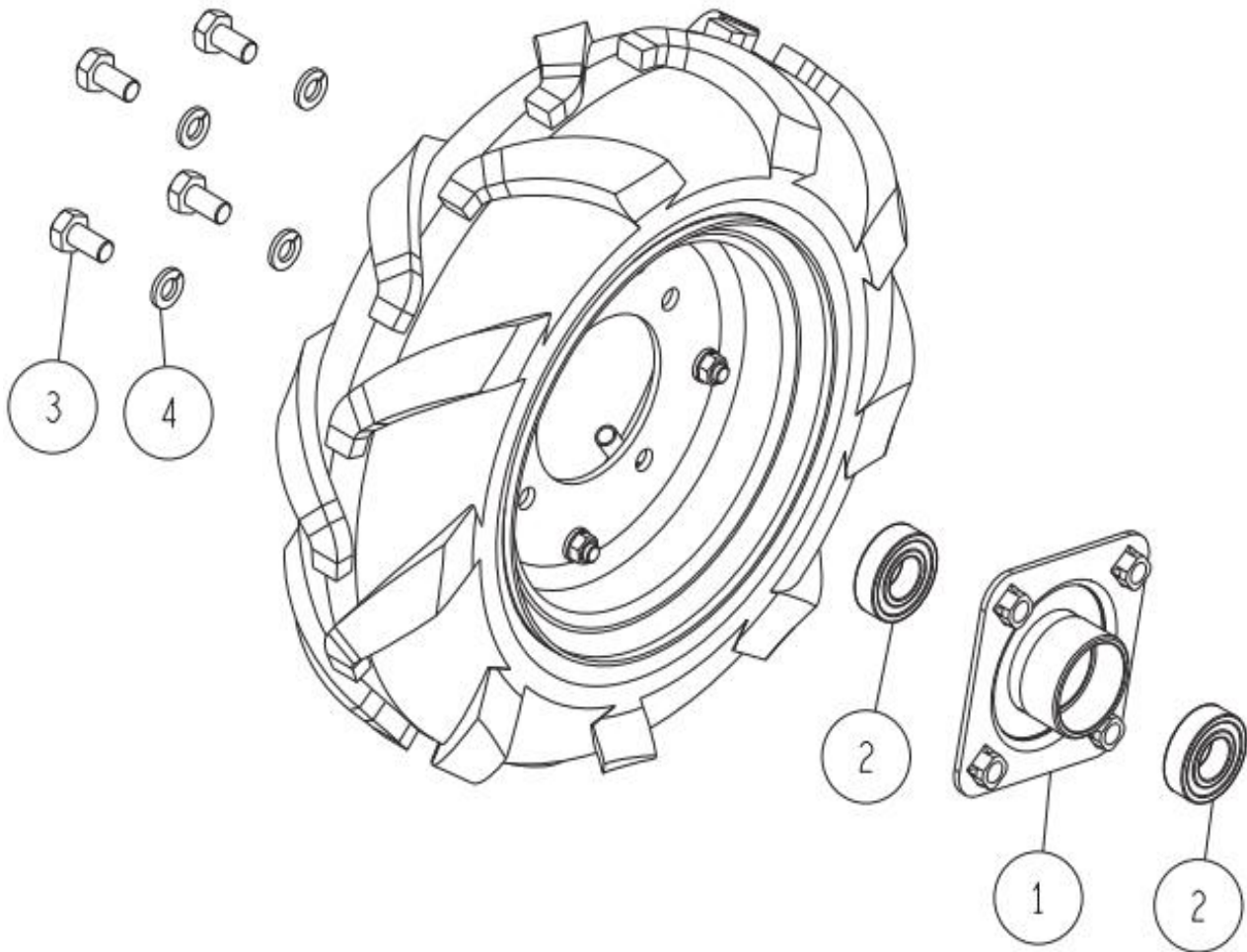
4	89-1750-100002	Spring Washer 10	4	
3	89-1113-100202	Hexagonal Bolt (8T) M10*20	4	
2	0342-77700	Bearing 6004 2NSE-NB	2	
1	0207-30411	Front Wheel Boss (White)	1	
NO	Parts No	Parts Name	Qty	Remarks



-	0322-34000	Tire Assy (L) 3.50-7 (TA)	1	1~5
5	89-1543-080002	Mini Hexagonal Nut (SW) M8	4	
4	89-1213-080162	Mini Hexagonal Bolt (8T) M8*16	4	
3	0322-32100	Tire 3.50-7 (TA)	1	
2	80-1260-407-00	Wheel Assy 3.50-7	1	
1	80-1260-404-00	Tire Tube 3.50-7	1	
NO	Parts No	Parts Name	Qty	Remarks

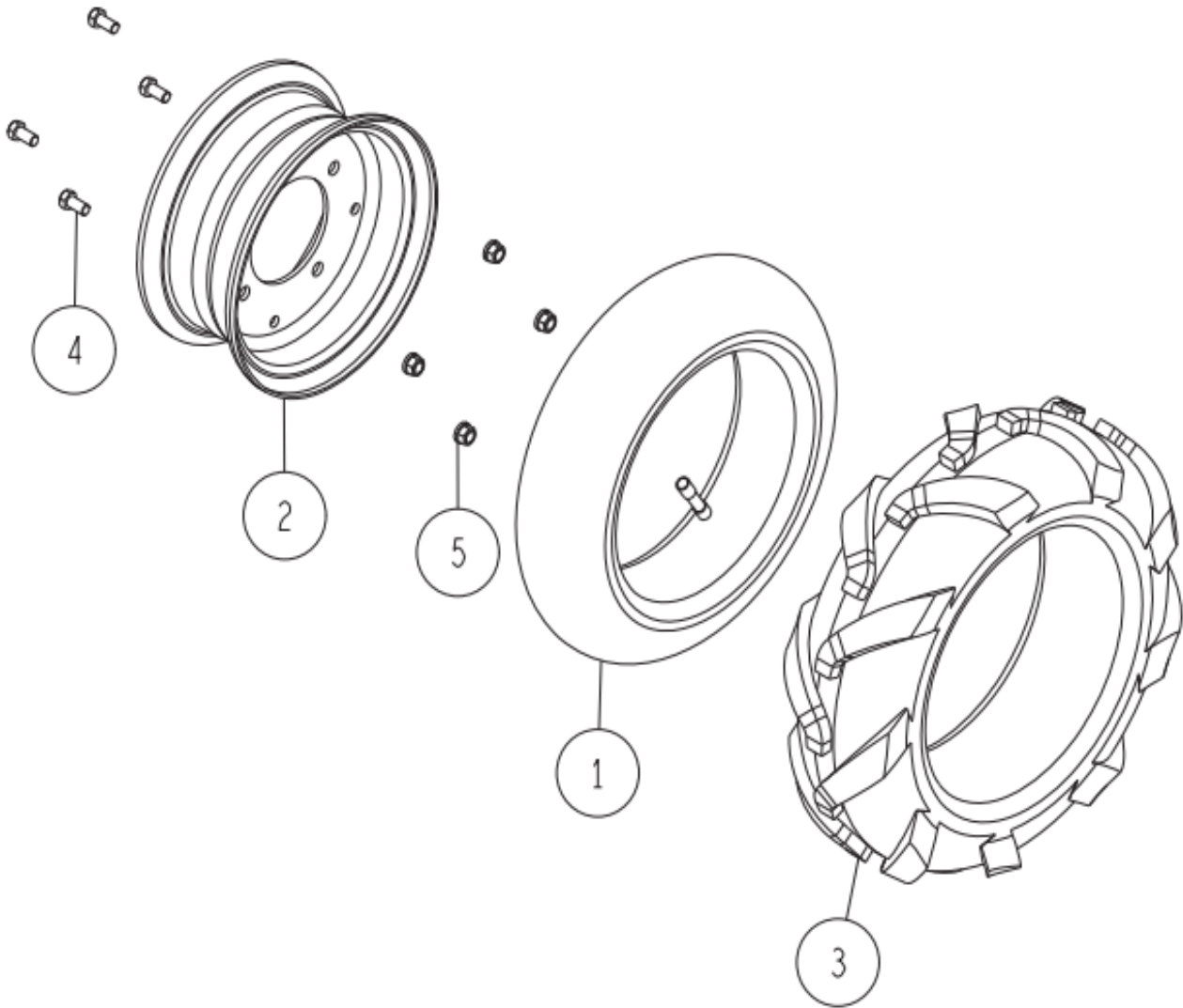


32/57 Right front wheel 1/2



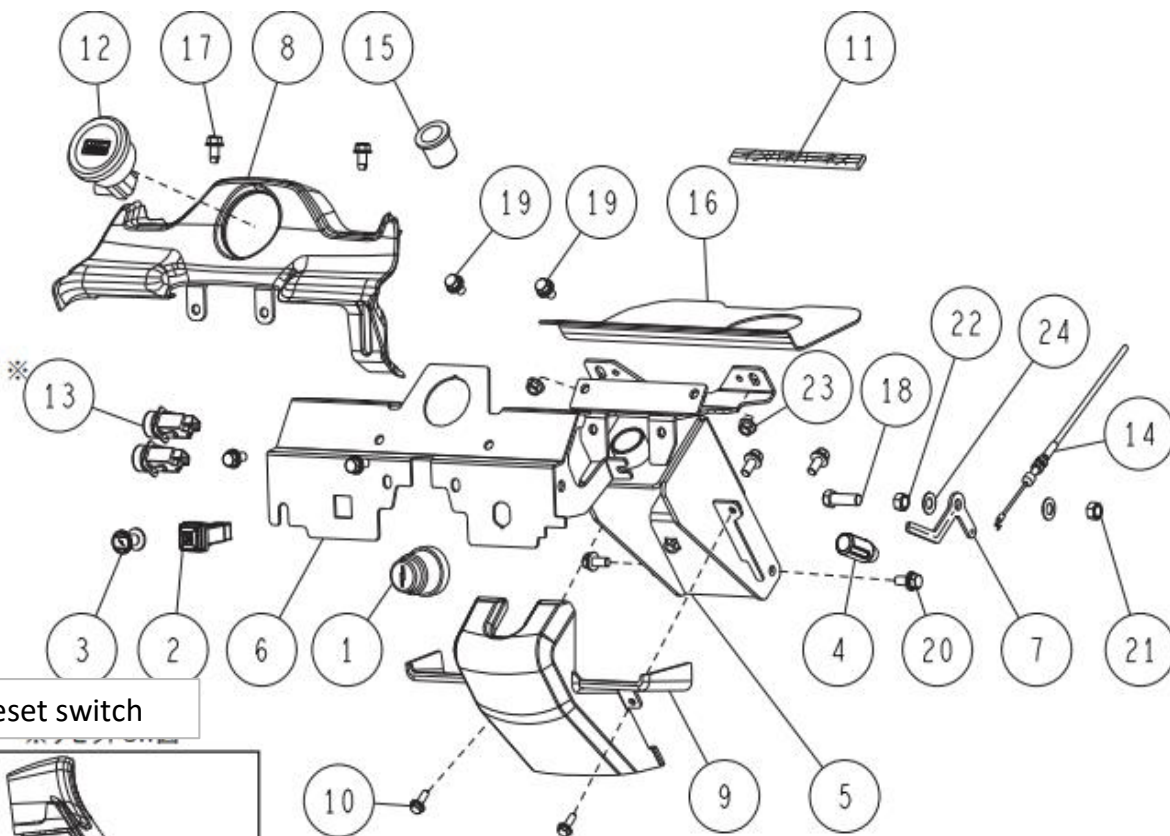
4	89-1750-100002	Spring Washer 10	4	
3	89-1113-100202	Hexagonal Bolt (8T) M10*20	4	
2	0342-77700	Bearing 6004 2NSE-NB	2	
1	0207-30411	Front Wheel Boss (White)	1	
NO	Parts No	Parts Name	Qty	Remarks

33/57 Right front wheel 2/2

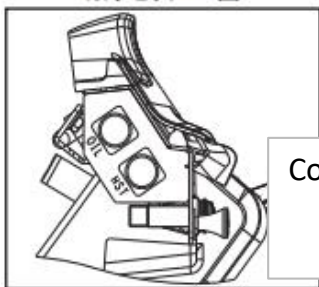


-	0322-35000	Tire Assy (R) 3.50-7 (TA)	1	1~5
5	89-1543-080002	Mini Hexagonal Nut (SW) M8	4	
4	89-1213-080162	Mini Hexagonal Bolt (8T) M8*16	4	
3	0322-32100	Tire 3.50-7 (TA)	1	
2	80-1260-407-00	Wheel Assy 3.50-7	1	
1	80-1260-404-00	Tire Tube 3.50-7	1	
NO	Parts No	Parts Name	Qty	Remarks

# 34/57 Handle Part 1/3

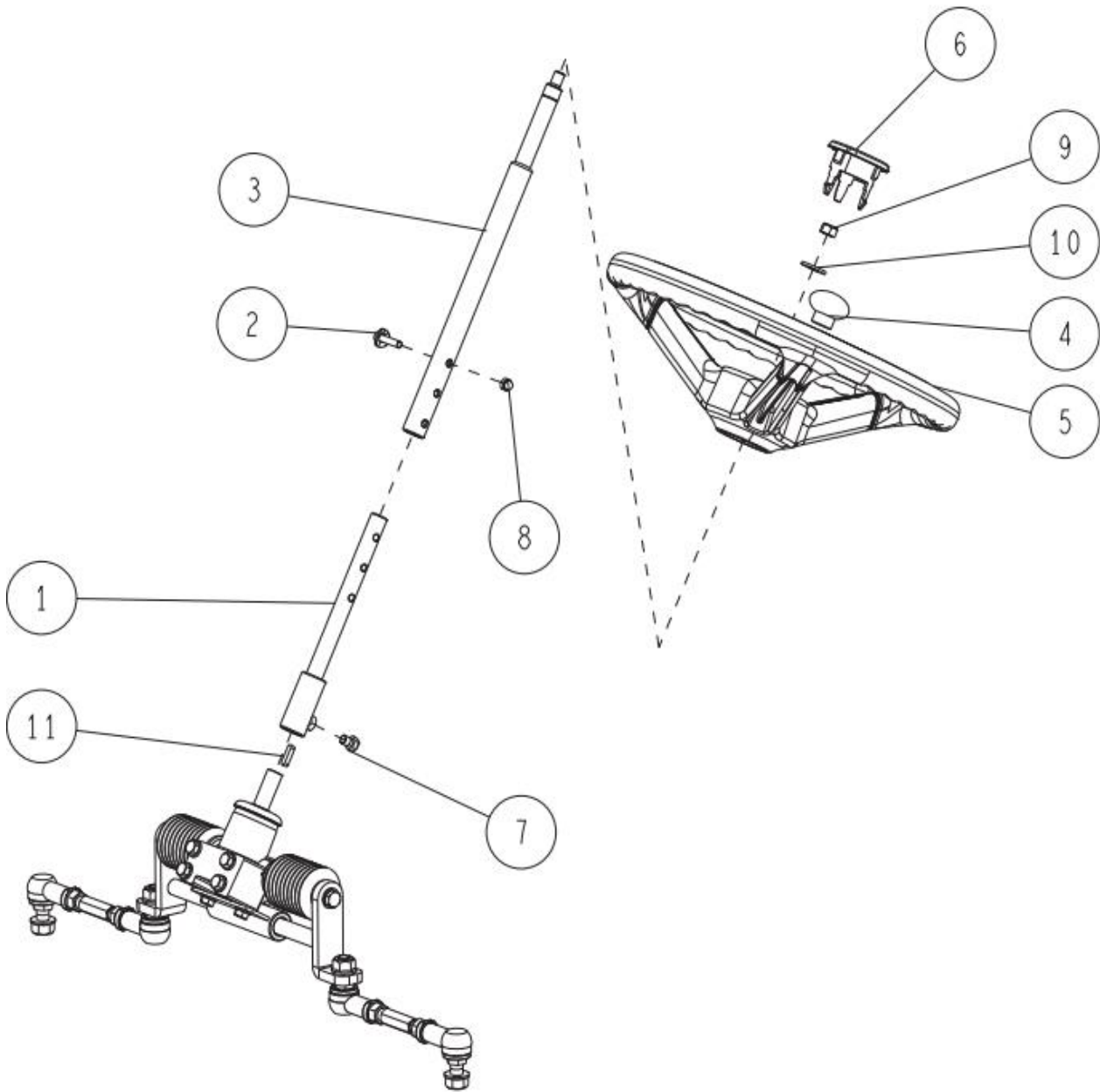


Reset switch



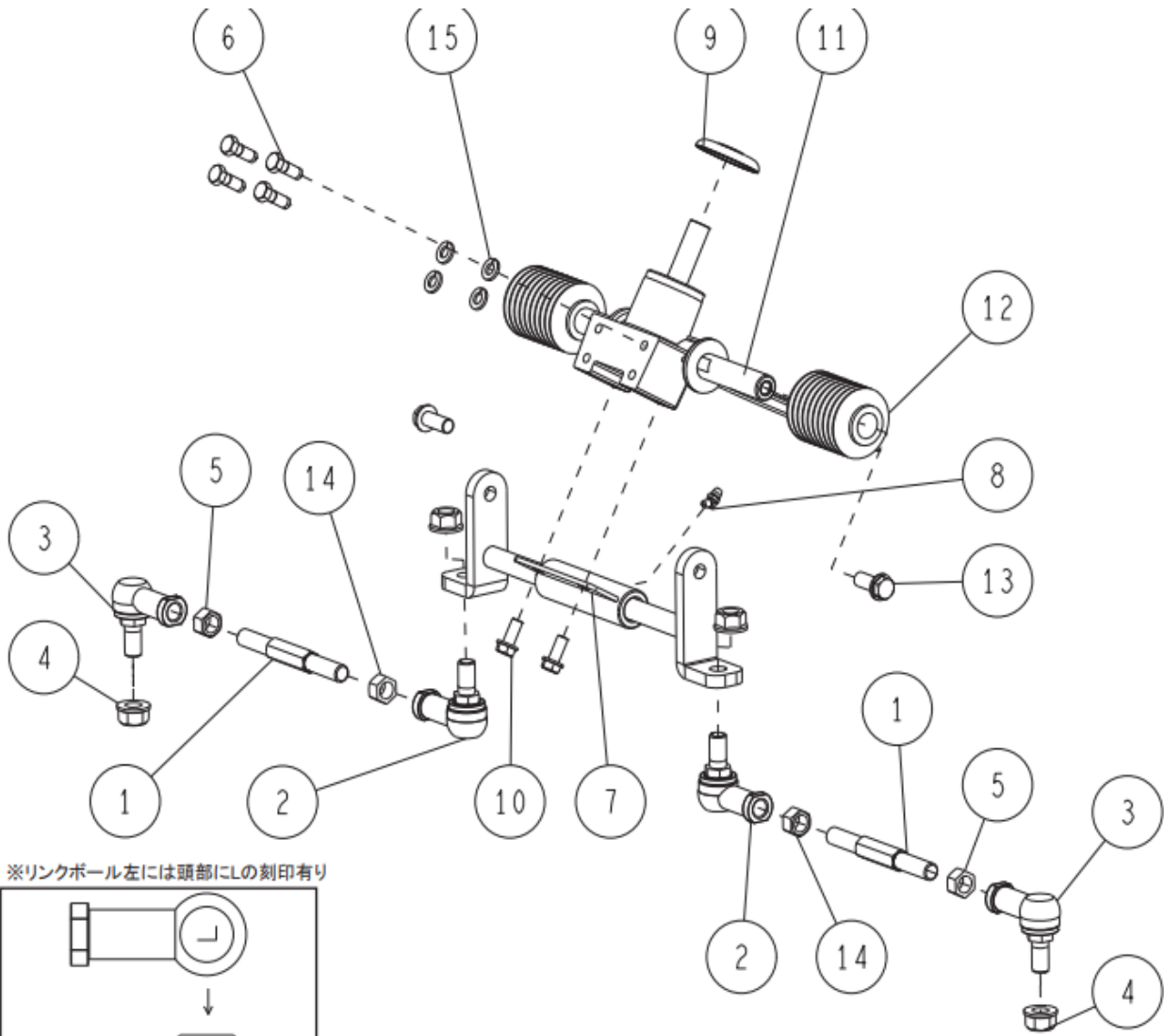
Connect the red cable connector to the upper side (oil reset SW)

24	89-1852-100001	Belleville Spring H10	2	
23	89-1631-080042	Flange Mini Hexagonal Nut M8	2	
22	89-1611-100042	Mini Hexagonal Nut M10	1	
21	89-1561-100002	Mini Hexagonal U Nut M10	1	
20	89-1233-080202	Mini Hexagonal Bolt (PWSW) M8*20	6	
19	89-1233-080162	Mini Hexagonal Bolt (PWSW) M8*16	2	
18	89-1213-100302	Mini Hexagonal Bolt (8T) M10*30	1	
17	0352-79700	PR Bolt (F) M8 × 16	2	
16	0352-78800	Fuel tank flapper	1	
15	0352-77600	Resin bush 22.28.30	1	
14	0352-75700	Throttle wire (K)	1	
13	0352-74600	Reset SW	2	
12	0352-74500	Indicator	1	
11	0352-74300	Instrument panel harness	1	
10	0352-79600	Earth Bolt (PW)M6 × 16	2	
9	0352-70600	Column cover	1	
8	0352-70400	instrument panel	1	
7	0352-10400	Throttle lever	1	
6	0352-1030H	Meter panel CMP (Metallic gray)	1	
5	0352-1020H	Handle stay CMP (Metallic gray)	1	
4	0317-71700	Lever Grip	1	
3	0352-75400	Choke wire (K)	1	
2	0244-70300	Lighting Switch	1	
1	0207-79700	Key Switch (NMA03-A020)	1	
NO	Parts No	Parts Name	Qty	Remarks

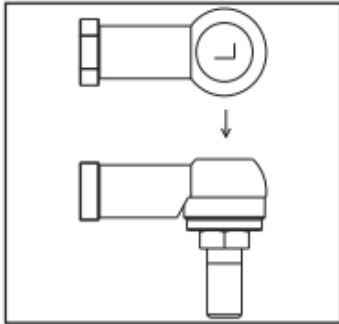


11	89-2150-050200	Key 5*20 (round)	1	
10	89-1713-100002	Flat Washer 10 (Large)	1	
9	89-1561-100002	Mini Hexagonal U Nut M10	1	
8	89-1553-060002	Bag Hexagonal U Nut M6	1	
7	0322-11610	Mini Hexagonal Bolt (7T) M8*10 (Meck)	1	
6	0262-70500	Steering Cap	1	
5	0262-70400	Steering Wheel	1	
4	0262-70300	Sub Handle Assy	1	
3	0262-10200	Steering Upper Shaft	1	
2	0244-75800	Bolt for Upper Shaft Setting	1	
1	80-1481-324-20	Steering Lower Shaft	1	
NO	Parts No	Parts Name	Qty	Remarks

# 36/57 Handle Part 3/3

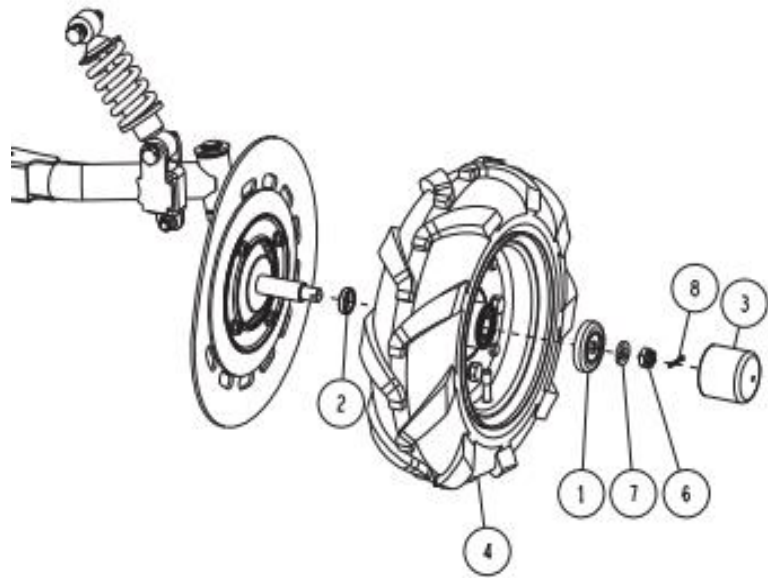
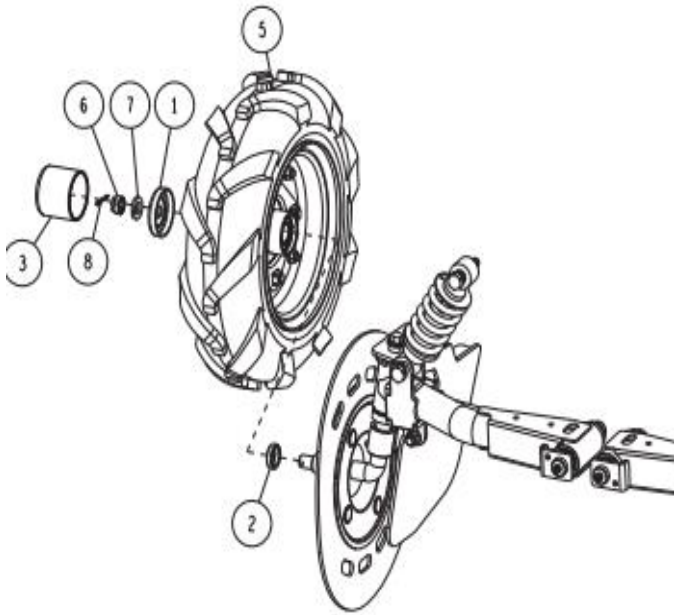


※リンクボール左には頭部にLの刻印有り

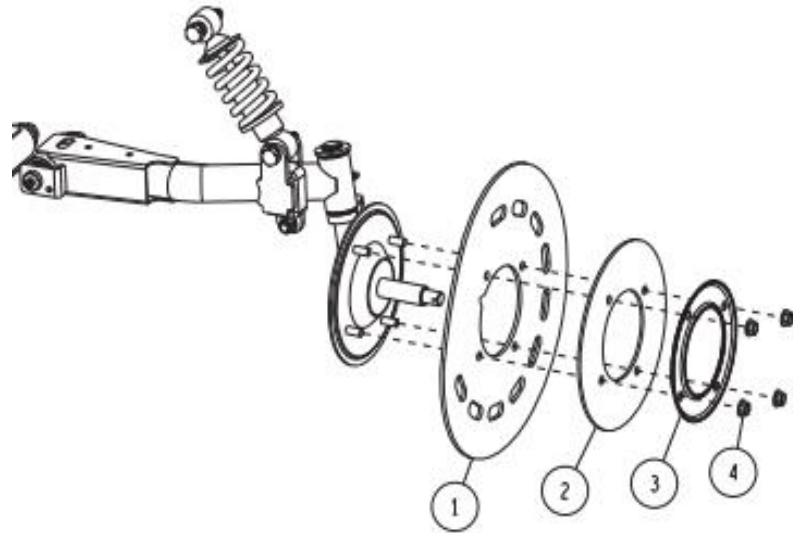
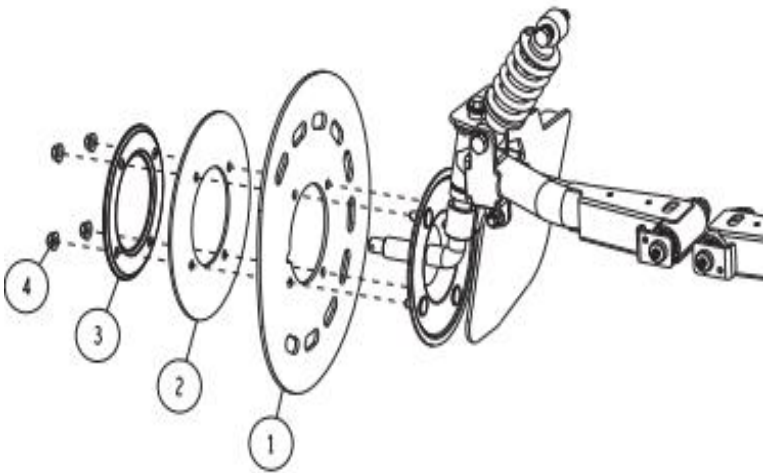


-	0244-31000	Tie Rod Adjuster Assy	2	1, 2, 3, 5, 14
15	89-1750-080002	Spring Washer 8	4	
14	89-1612-120042	Mini Hexagonal Nut (Slender) M12	2	
13	89-1254-100252	Flange Mini Hexagonal Bolt M10*25 P=1.25	2	
12	80-1490-967-00	Steering Boots	2	
11	80-1484-962-10	Steering Gear Box Assy	1	
10	80-1020-719-00	Hexagonal Tap Tight M8*18	2	
9	80-1016-461-00	Bearing Cover	1	
8	0913-70700	Grease Nipple B-Type M6	1	
7	0352-1010H	Rack support CMP (Metallic Gray)	1	
6	0314-70100	Mini Hexagonal Bolt (Meck) M8*22	4	
5	0244-73800	Hexagonal Nut (slender) M12 Left	2	
4	0244-71900	Tough Lock Nut M12=P1.25	4	
3	0244-71800	Link Ball 12 (L)	2	※L stamp on the head
2	0244-71700	Link Ball 12 (R)	2	
1	0244-31300	Tie Rod Adjuster	2	
NO	Parts No	Parts Name	Qty	Remarks

37/57 Front part 1/5

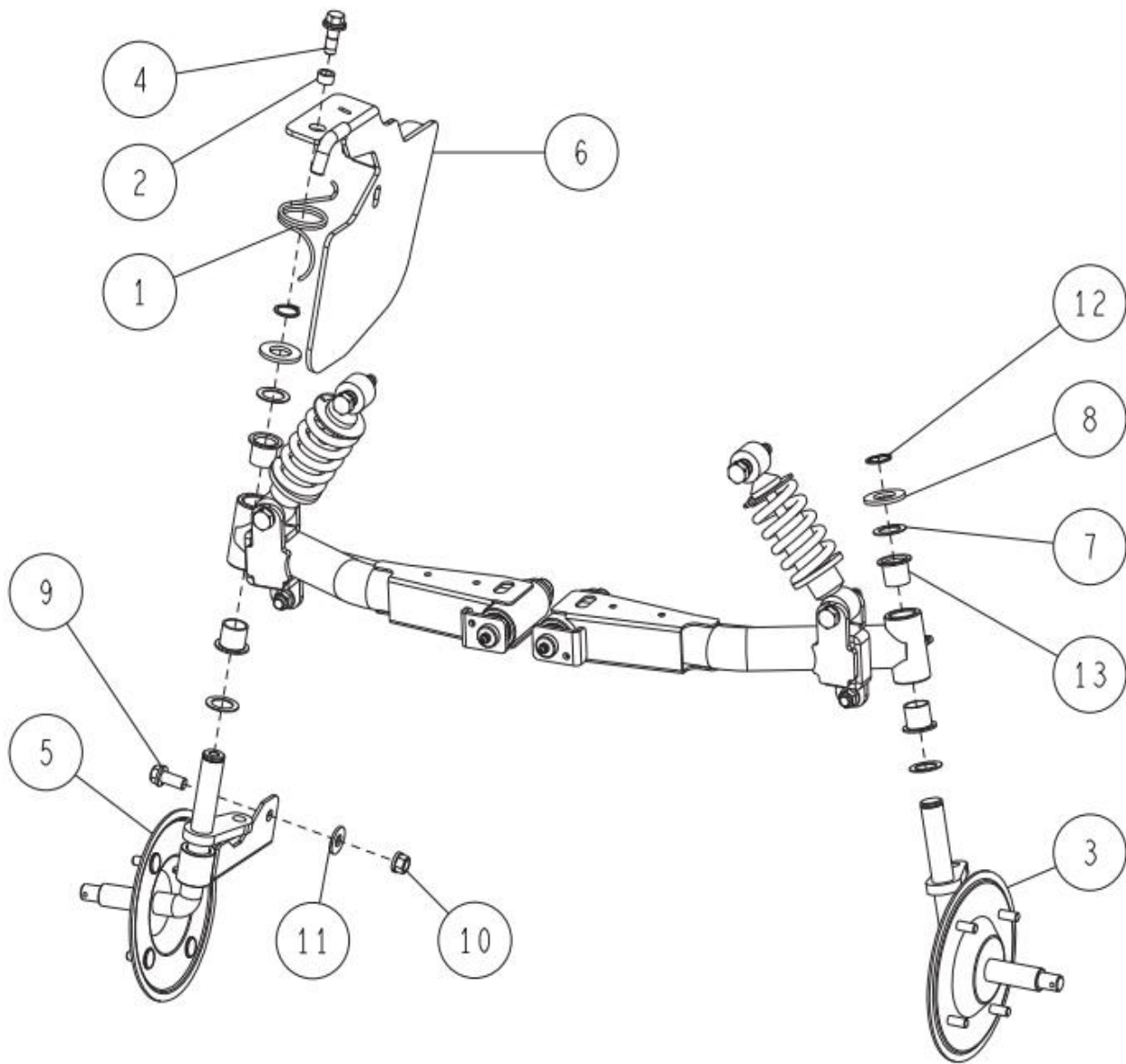


8	89-2120-250252	Split Pin 2.5*25	2	
7	89-1750-140002	Spring Washer 14	2	
6	89-1668-140042	Mini Low Castle Nut (2 sorts) M14	2	
5	0322-33000	Front Tire (R) ASSY (3.50-7 TA) (Include Wheel Boss)	1	
4	0322-32000	Front Tire (L) ASSY (3.50-7 TA) (Include Wheel Boss)	1	
3	0244-76100	Wheel Cap (Front)	2	
2	0207-31100	King Pin Collar	2	
1	0207-30500	Front Wheel Dust Cover	2	
NO	Parts No	Parts Name	Qty	Remarks



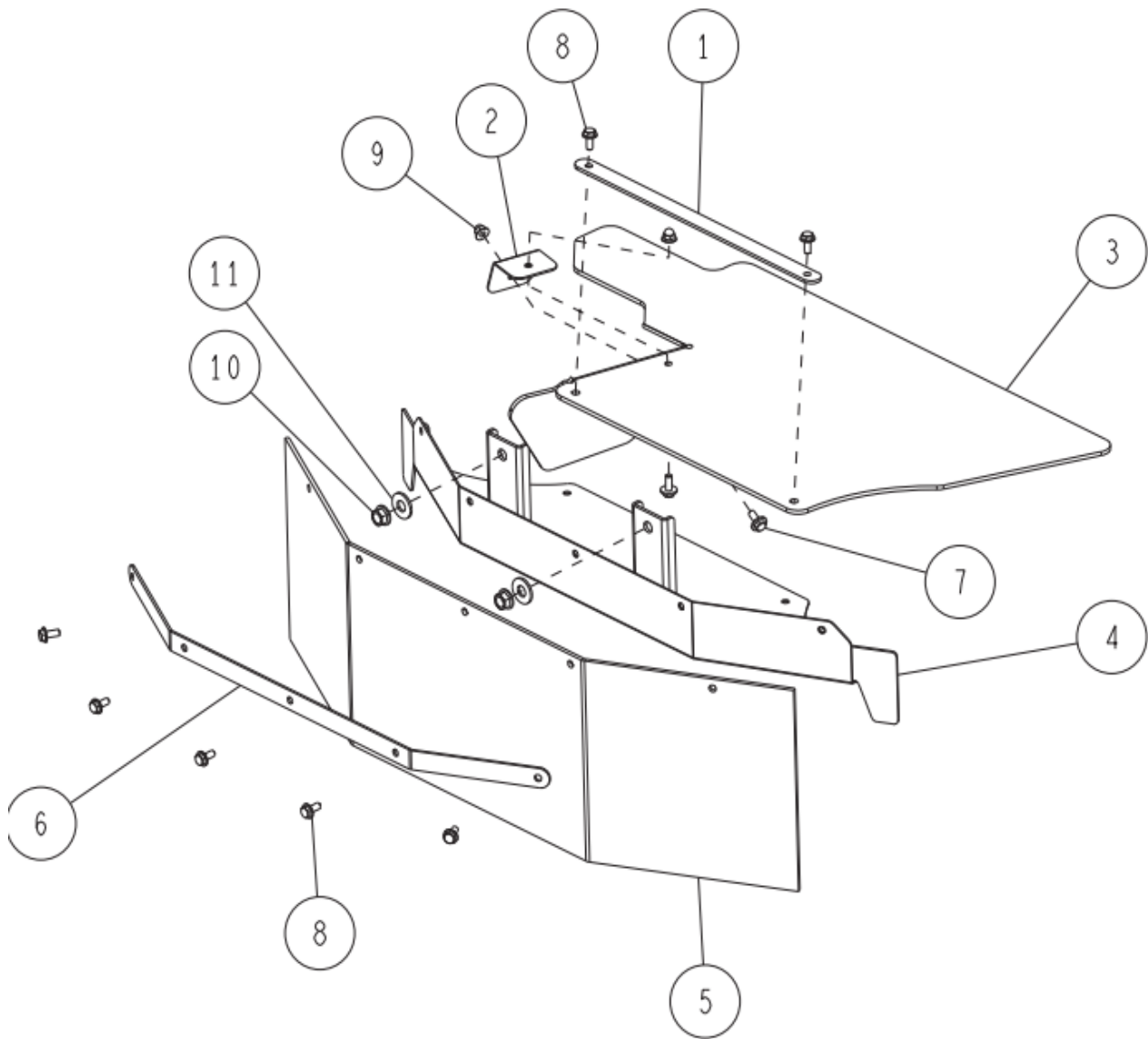
4	89-1631-080042	Flange Mini Hexagonal Nut M8	8	
3	0207-30900	Front Wheel Rubber Cover Support	2	
2	0207-30800	Front Wheel Rubber Cover (IN) for 7inch	2	
1	0207-30600	Front Wheel Rubber Cover	2	
NO	Parts No	Parts Name	Qty	Remarks

39/57 Front part 3/5



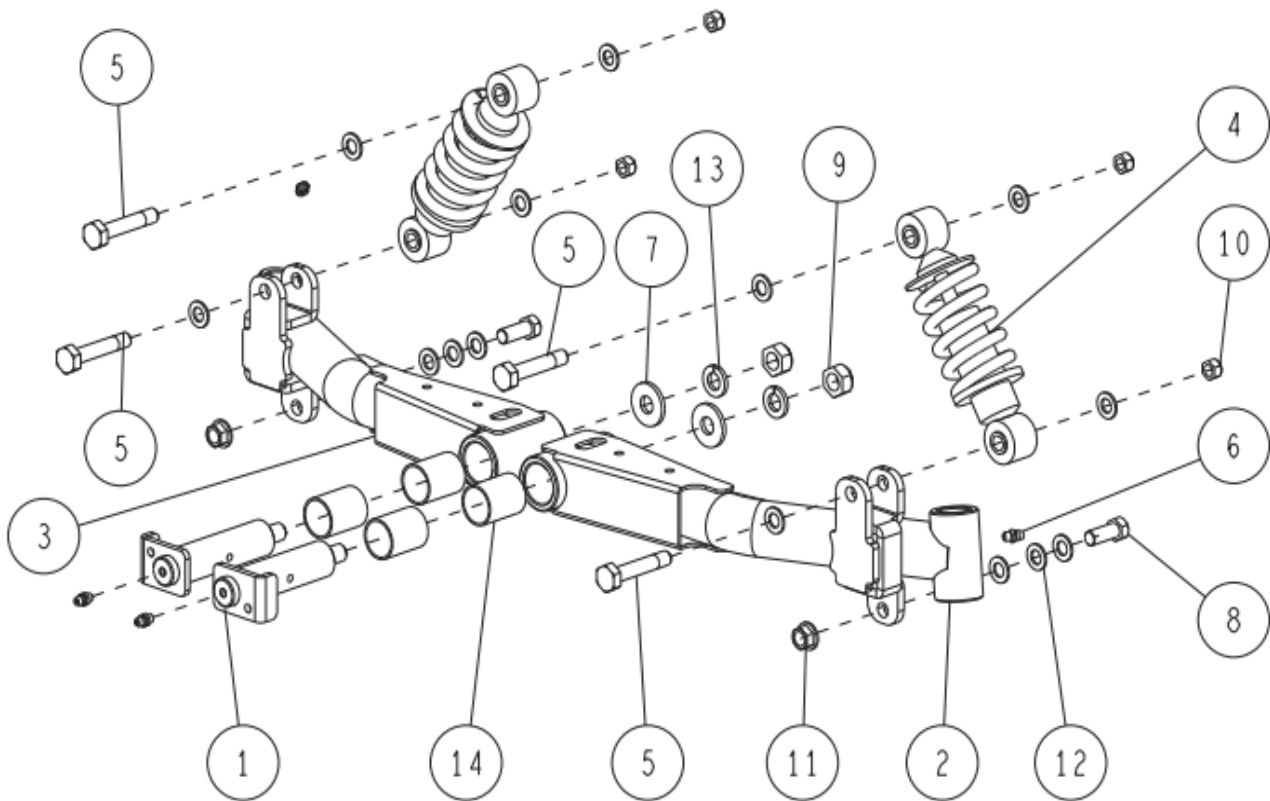
13	89-3511-020200	DU Bush 20.20.31F	4	
12	89-2511-000200	Snap Ring (S20)	2	
11	89-1713-100002	Flat Washer 10 (Large)	1	
10	89-1543-100002	Mini Hexagonal Nut (SW) M10	1	
9	89-1232-100252	Mini Hexagonal Bolt (SW) M10*25	1	
8	83-1490-337-00	Washer 20*38*3.2	2	
7	83-1310-371-00	Thrust Washer 20*30*1.0	4	
6	0352-3050H	Scattering guard CMP (Metallic Grey)	1	
5	0348-3030H	King Pin (R) CMP (USA) (Metallic Grey)	1	
4	0312-74300	Hexagonal Bolt (7T-SW.PW) M10*30 (Meck)	1	
3	0281-3021H	King Pin (L) CMP (Metallic Grey)	1	
2	0259-30600	Protector Collar	1	
1	0259-30500	Protector Return Spring	1	
NO	Parts No	Parts Name	Qty	Remarks



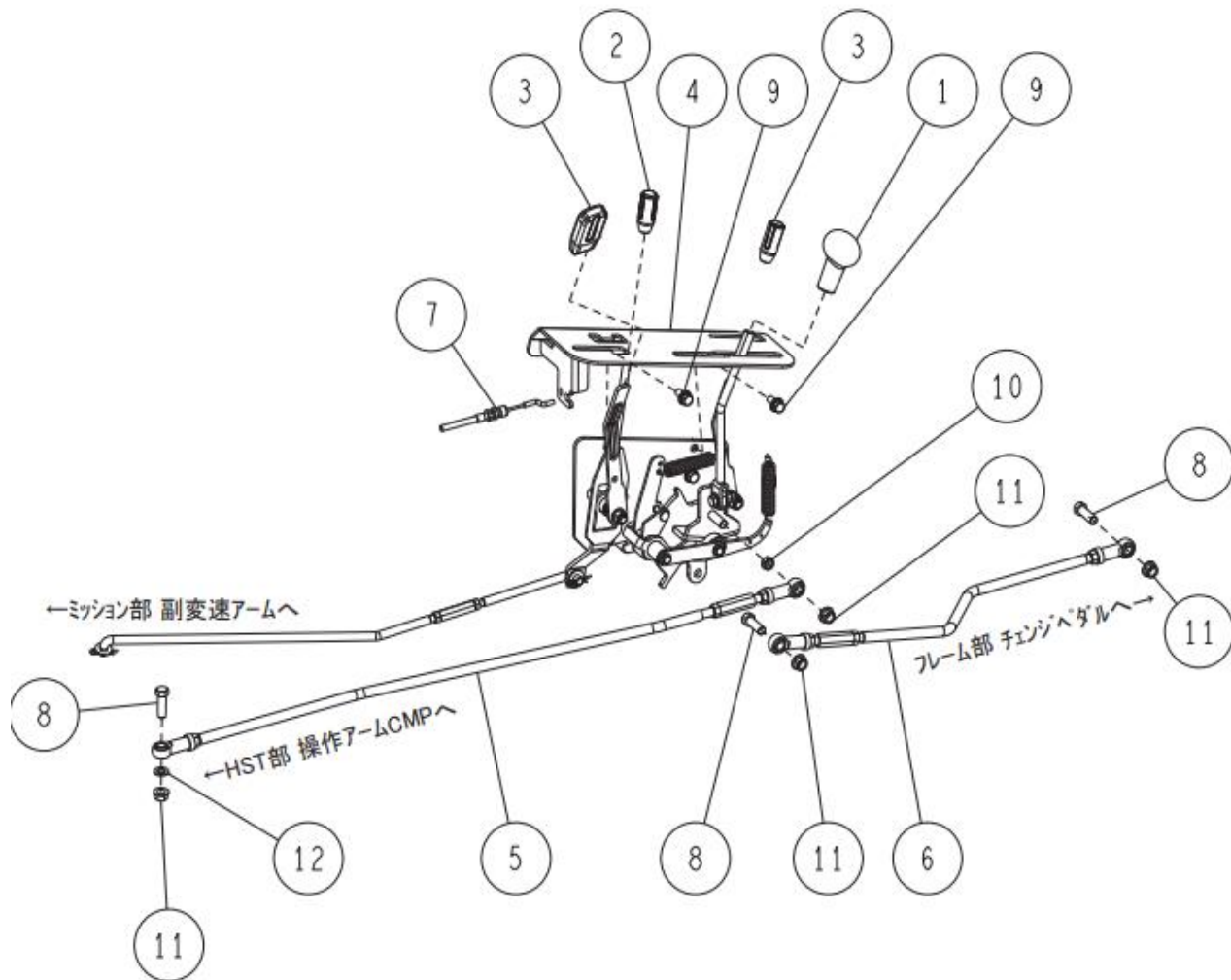


11	89-1713-100002	Flat Washer 10 (Large)	2	
10	89-1631-100042	Flange Mini Hexagonal Nut M10	2	
9	89-1581-060042	Flange Cap Nut M6	2	
8	89-1137-060152	Hexagonal Bolt (PW) M6*15	7	
7	83-1565-111-00	Hexagonal Bolt (with Big Washer) M6*16	2	
6	0352-3130H	Front flapper holder (Metallic Gray)	1	
5	0352-31200	Front flapper	1	
4	0352-3110H	Front upper guard CMP (Metallic Gray)	1	
3	0341-30100	Upper Flapper	1	
2	0322-3150H	Upper Flapper setting (Metallic Grey)	1	
1	0322-3130H	Upper Flapper Holder (Metallic Grey)	1	
NO	Parts No	Parts Name	Qty	Remarks

41/57 Front part 5/5

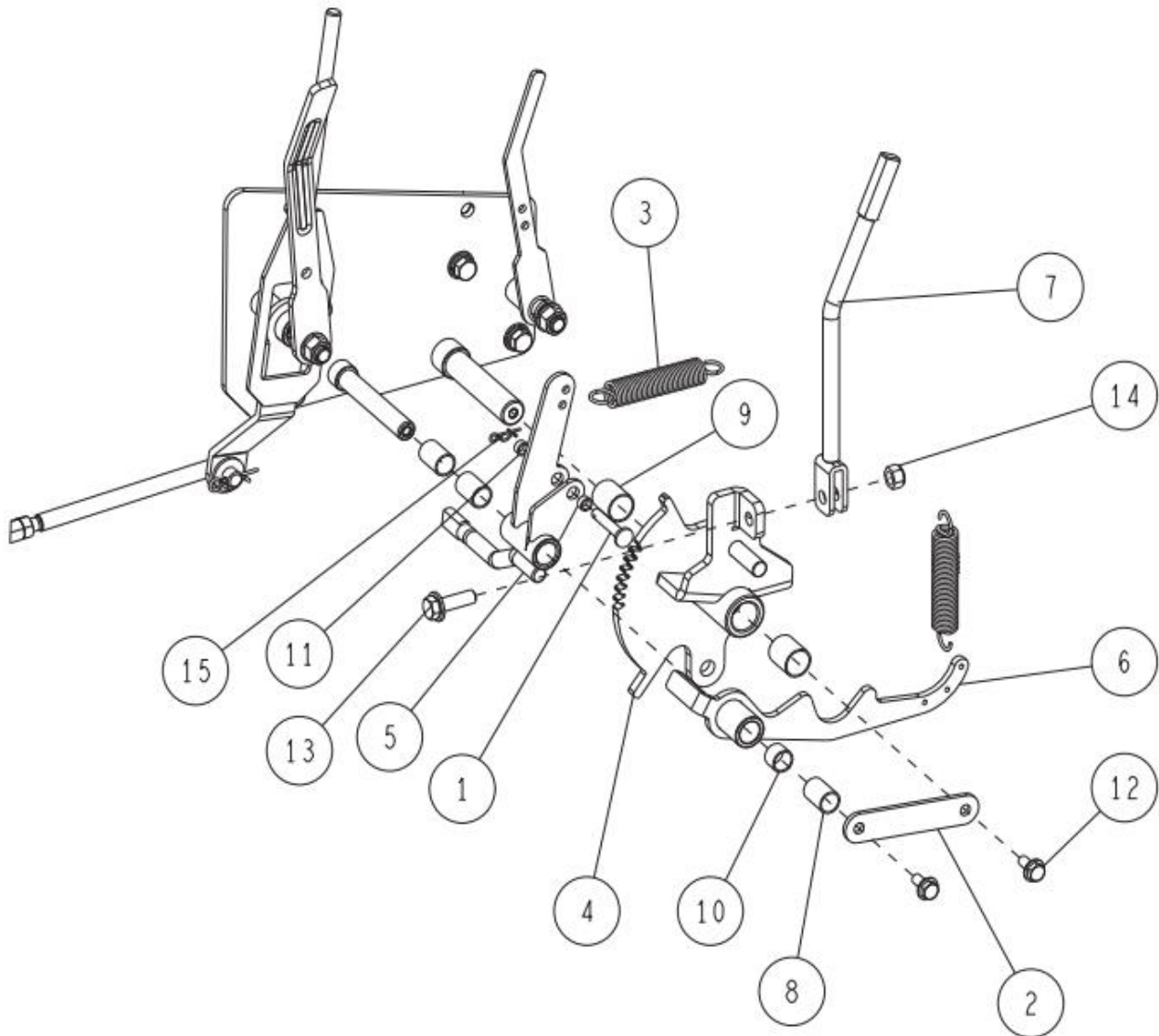


14	89-3510-025350	DU Bush 25.35	4	
13	89-1750-120002	Spring Washer 12	2	
12	89-1711-100002	Flat Washer 10*18*1.6	14	
11	89-1631-100042	Flange Mini Hexagonal Nut M10	2	
10	89-1561-080002	Mini Hexagonal U Nut M8	4	
9	89-1551-120002	Hexagonal U Nut M12	2	
8	89-1213-100252	Mini Hexagonal Bolt (8T) M10*25	2	
7	83-1481-328-00	Washer 12*30*3.2	2	
6	83-1415-975-00	Grease Nipple M6	4	
5	0352-75300	Hexagon bolt (8T) M10 × 54	4	
4	0352-75100	shock absorber	2	
3	0352-3040H	Front axle R CMP (Metallic Gray)	1	
2	0352-3030H	Front axle L CMP (Metallic Gray)	1	
1	0352-30200	Center pin CMP	2	
NO	Parts No	Parts Name	Qty	Remarks



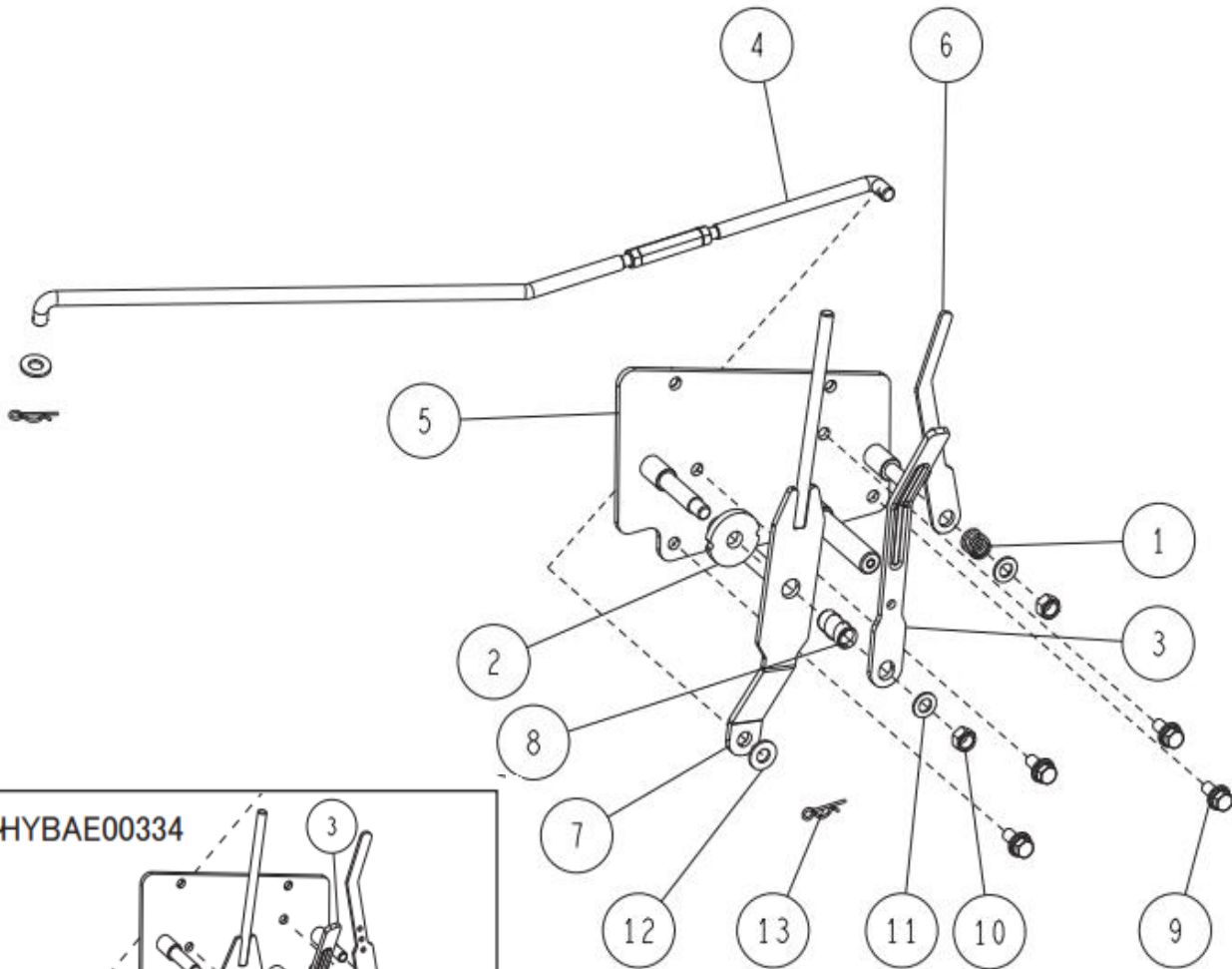
12	89-1711-100002	Flat Washer 10*18*1.6	1	
11	89-1631-100042	Flange Mini Hexagonal Nut M10	4	
10	89-1613-100042	Mini Hexagonal Nut (3 sorts) M10	1	
9	89-1233-080202	Mini Hexagonal Bolt (PWSW) M8*20	2	
8	89-1213-100302	Mini Hexagonal Bolt (8T) M10*30	3	
7	0352-75500	Diff lock wire	1	
6	0352-15000	Change pedal rod ASSY	1	
5	0352-13000	Shift rod ASSY	1	
4	0352-1120G	Control guide CMP (green)	1	OR
3	0342-74100	RM grip (Red)	1	
2	0317-71700	Lever Grip	2	
1	0221-13200	Change Grip	1	
NO	Parts No	Parts Name	Qty	Remarks

43/57 Control Part 2/3



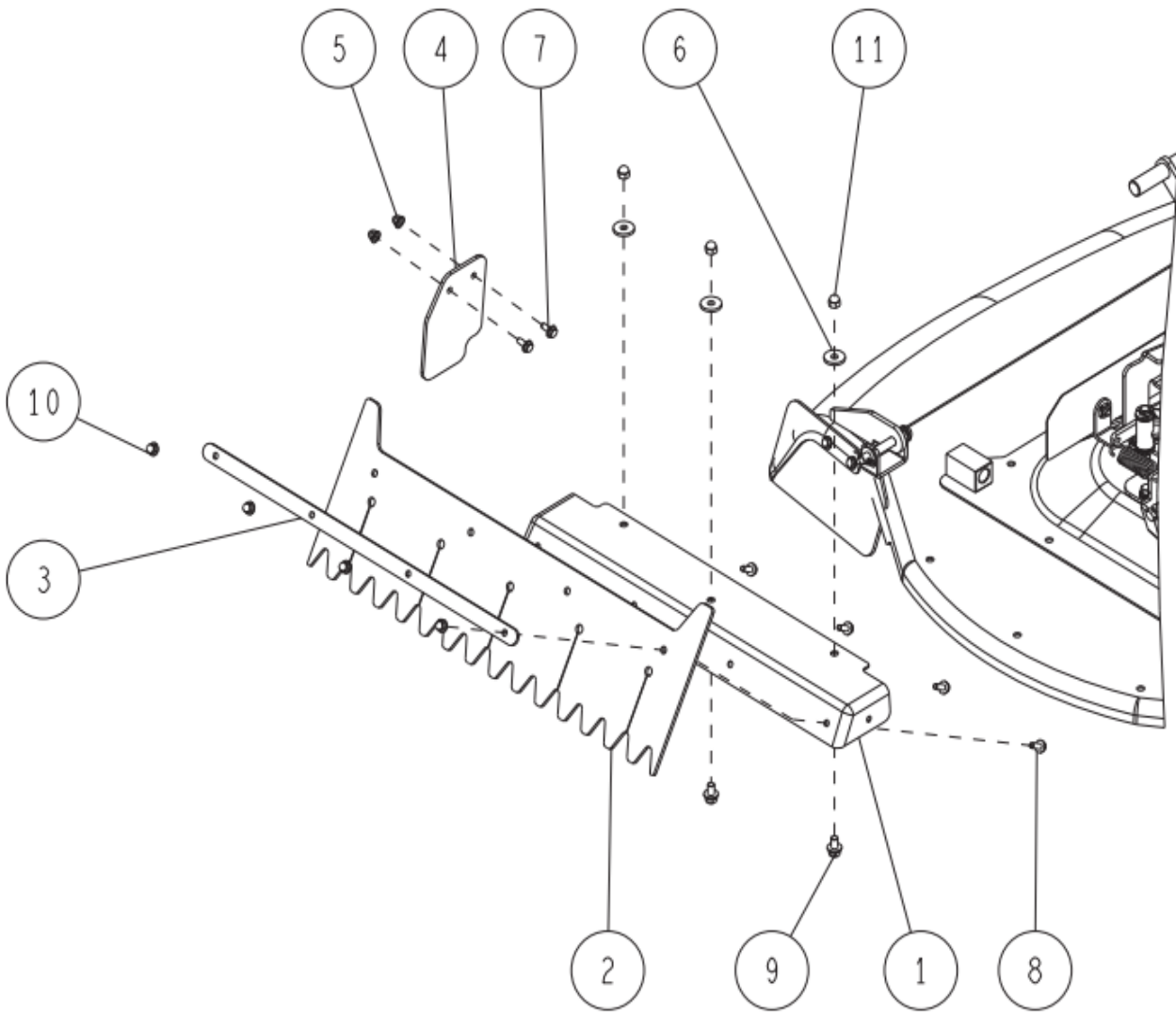
15	89-2132-060002	Snap Pin 6 (with stopper)	1	
14	89-1561-080002	Mini Hexagonal U Nut M8	1	
13	89-1253-080252	Flange Mini Hexagonal Bolt (8T) M8*25	1	
12	89-1137-060152	Hexagonal Bolt (PW) M6*15	2	
11	0352-78700	Resin bush 6.4	2	
10	0352-77800	Resin bush 12.10	1	
9	0352-77400	Resin bush 16.20	2	
8	0352-77200	Resin bush 12.20	3	
7	0352-12200	Change lever CMP	1	
6	0352-1160H	Change return arm CMP (Metallic Grey)	1	
5	0352-1150H	Control latch CMP(Metallic Grey)	1	
4	0352-11300	Change lever guide CMP	1	
3	0219-60800	Rotary pull spring	2	
2	0207-1161H	Change Beam (Metallic Grey)	1	
1	0001-51200	Pin $\Phi 6 \times 30$	1	
NO	Parts No	Parts Name	Qty	Remarks

44/57 Control Part 3/3

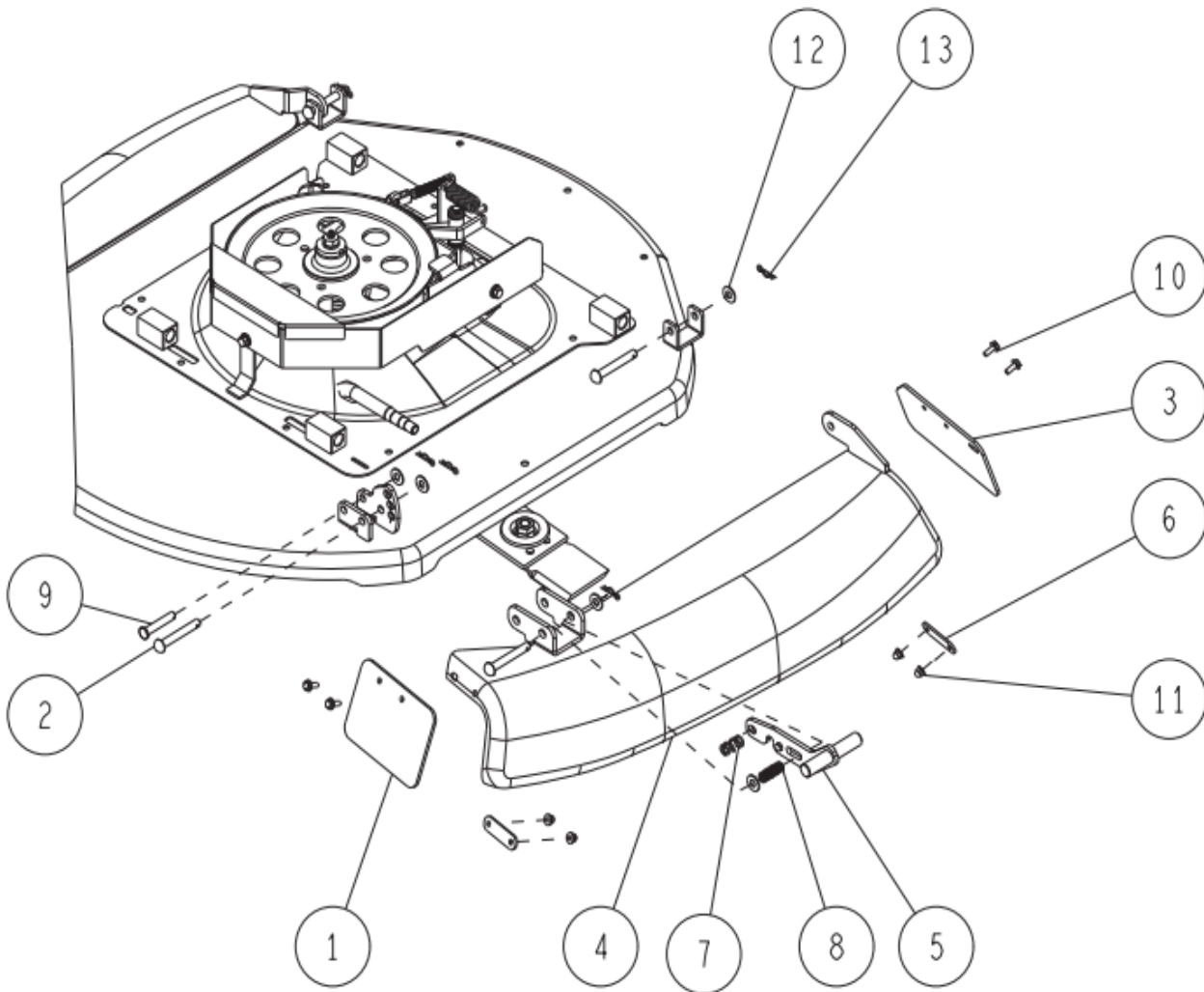


-	0352-11000	Sub speed change arm replacement set	1	2、7、8
14	0352-77200	Resin bush 12.20	1	~HYBAE00334
13	89-2131-100002	Snap Pin 10	2	
12	89-1712-100002	Flat Washer 10*21*2.1	2	
11	89-1711-100002	Flat Washer 10*18*1.6	2	
10	89-1561-100002	Mini Hexagonal U Nut M10	2	
9	89-1233-080202	Mini Hexagonal Bolt (PWSW) M8*20	4	
8	0352-73700	Open / Close lever spring	1	HYBAF00335~
7	0352-11710	Sub Speed change arm CMP	1	HYBAF00335~
	0352-11700	Sub Speed change arm CMP	1	~HYBAE00334
6	0352-11400	Forward fixed lever	1	
5	0352-1110H	Change bracket CMP (Metallic Grey)	1	
4	0244-14500	Sub Change Rod Assy	1	
3	0244-13200	Differential Lock Lever CMP	1	
2	0221-76100	Washer 12*40*6	1	HYBAF00335~
1	80-1020-263-00	Control Lever Shaft Spring	1	~HYBAE00334は2コ
NO	Parts No	Parts Name	Qty	Remarks

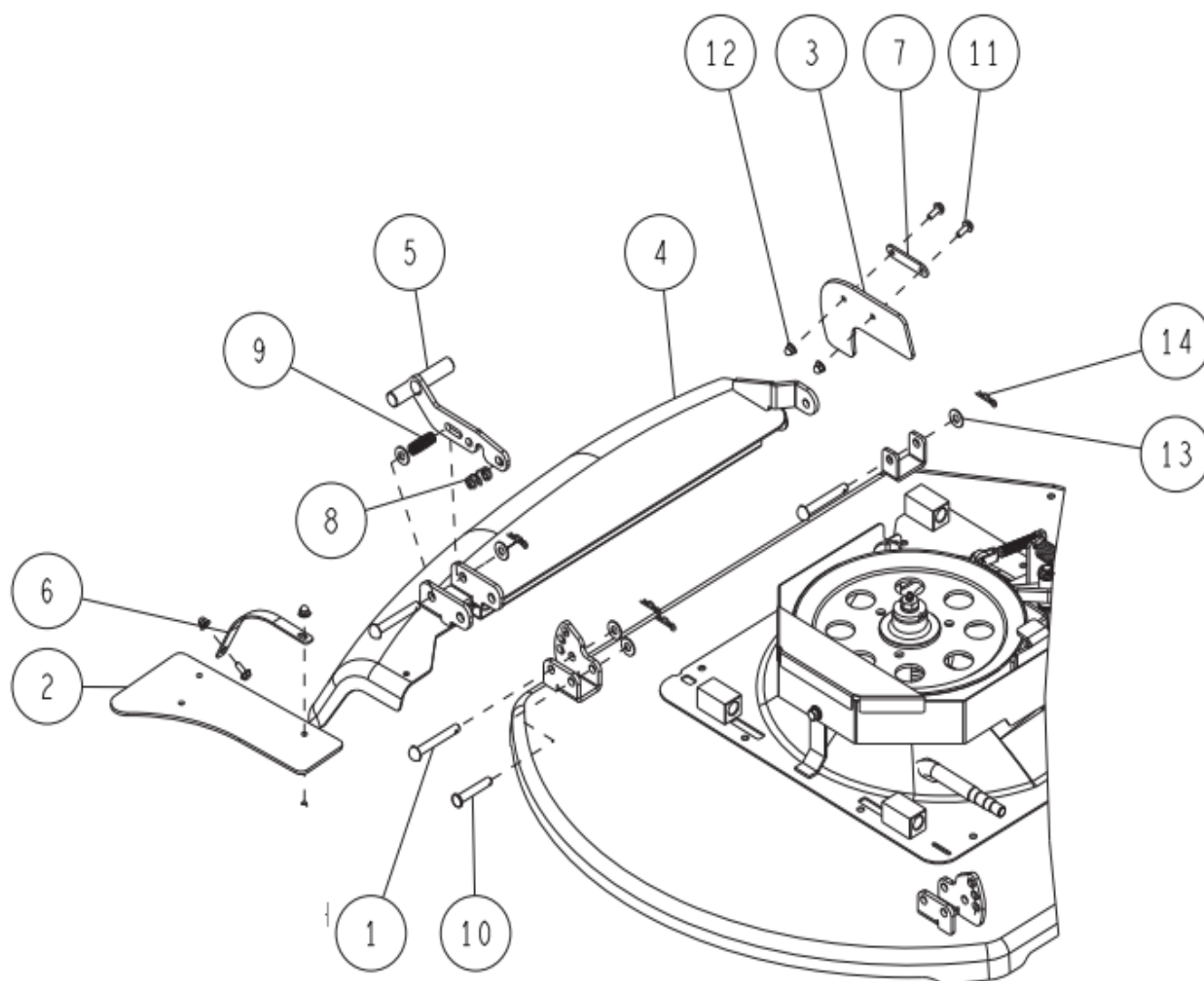
45/57 Cutting Part 1/6



11	89-1671-080042	Mini Cap Nut M8	3	
10	89-1581-060042	Flange Cap Nut M6	4	
9	89-1233-080162	Mini Hexagonal Bolt (PWSW) M8*16	3	
8	89-1137-060172	Hexagonal Bolt (PW) M6*17	4	
7	89-1137-060152	Hexagonal Bolt (PW) M6*15	2	
6	83-1751-312-00	Washer 8*25*3.2	3	
5	0312-77500	Flange Cap Nut M6 (Meck)	2	
4	0312-50700	Side Rear Flapper (L)	1	
3	0244-6140H	Rear Flapper Holder (Metallic Grey)	1	
2	0244-61300	Rear Guard Flapper	1	
1	0244-6120H	Rear Guard (Metallic Grey)	1	
NO	Parts No	Parts Name	Qty	Remarks

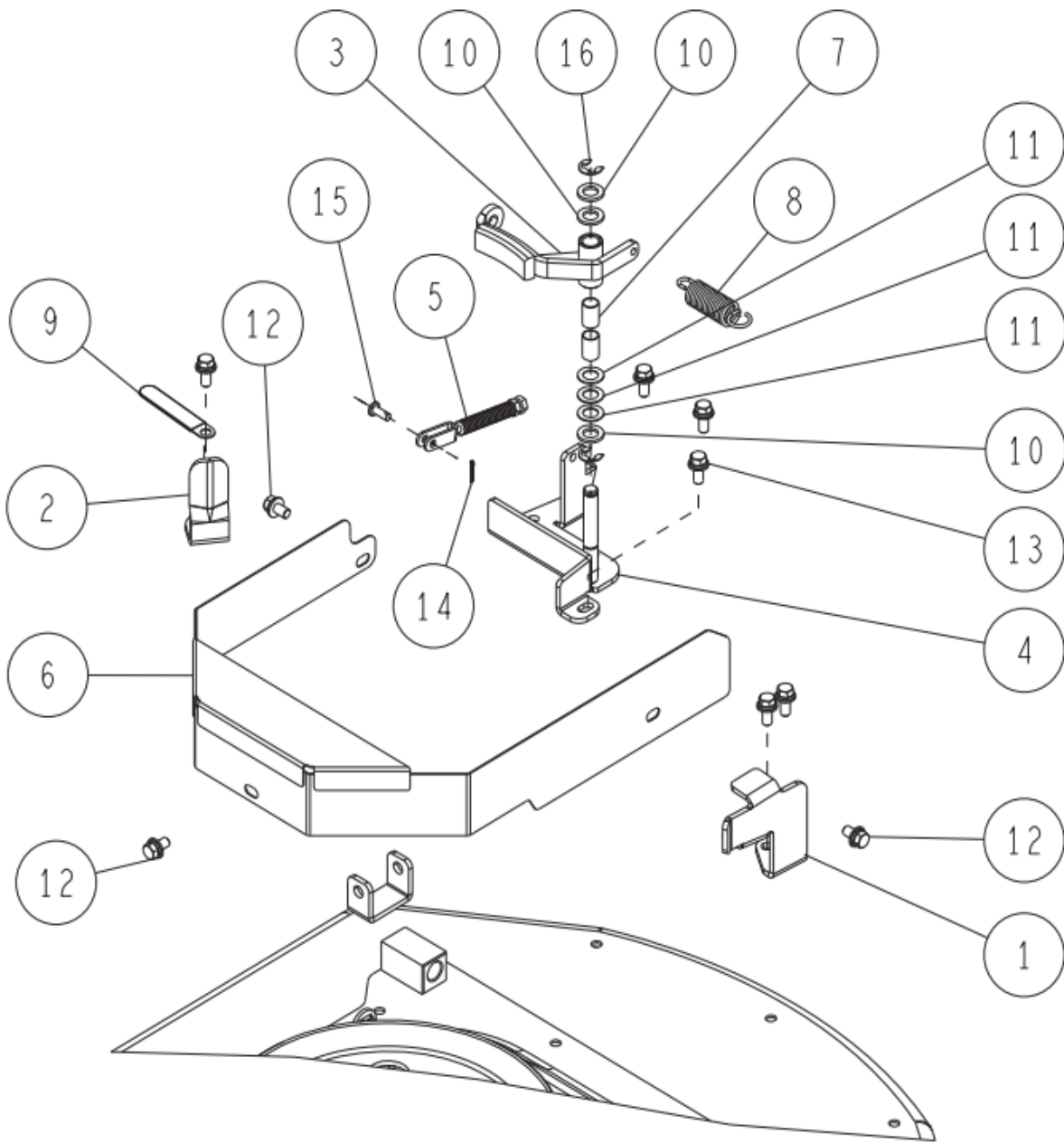


13	89-2131-100002	Snap Pin 10	4	
12	89-1714-100002	Flat Washer 10	4	
11	89-1581-060042	Flange Cap Nut M6	4	
10	89-1137-060172	Hexagonal Bolt (PW) M6*17	4	
9	83-1210-162-00	Round Headed Pin 10*55	1	
8	0352-73900	Lever hold spring	1	
7	0352-73700	Open / Close lever spring	1	
6	0352-53100	Flapper plate $\phi 7 \times 50$	2	
5	0352-50500	Left cover adjustment arm CMP	1	
4	0352-5030H	Left cover CMP (Metallic Grey)	1	
3	0255-60800	Rear Side Flapper ( Left A)	1	
2	0244-63900	Round Head Pin 10*72	3	
1	0244-61800	Side Flapper (Front)	1	
NO	Parts No	Parts Name	Qty	Remarks

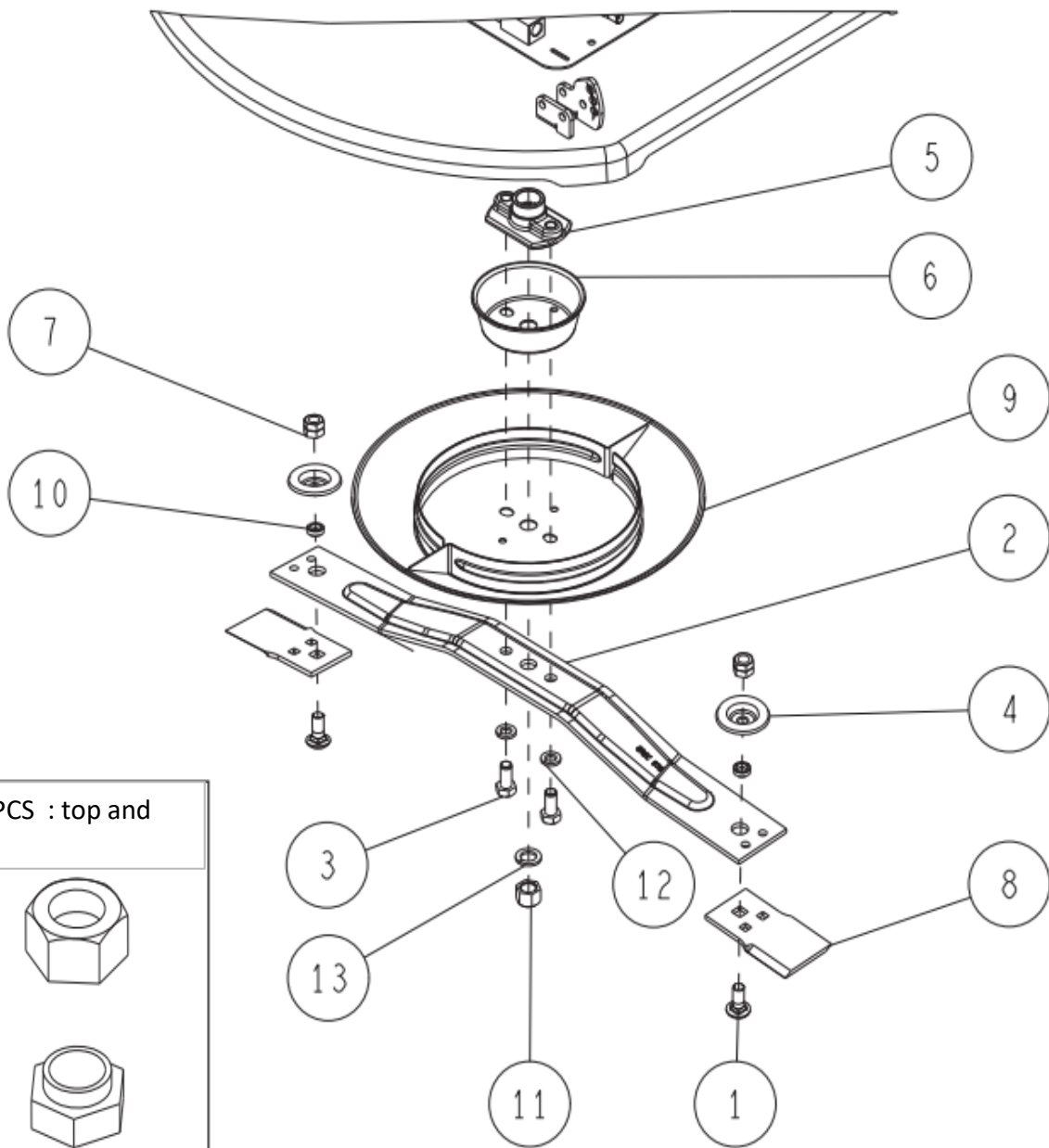


14	89-2131-100002	Rピン 10	4	
13	89-1714-100002	平座金 10X22X1.6	4	
12	89-1581-060042	座付袋ナット M6	4	
11	89-1137-060172	六角ボルト(PW) M6X17	4	
10	83-1210-162-00	丸頭ピン10×55	1	
9	0352-73900	レバー押えバネ	1	
8	0352-73700	開閉レバーバネ	1	
7	0352-5310H	フラツパ押えφ7×50 ガンメタ	1	
6	0352-5070H	右カバーフラツパステー ガンメタ	1	
5	0352-50600	右カバー調整アームCMP	1	
4	0352-5040H	右カバー CMP ガンメタ	1	
3	0290-50200	サイドフラツパ右後	1	
2	0255-60300	右カバーフラツパ	1	
1	0244-63900	丸頭ピン10×72	3	
NO	Parts No	Parts Name	Qty	Remarks



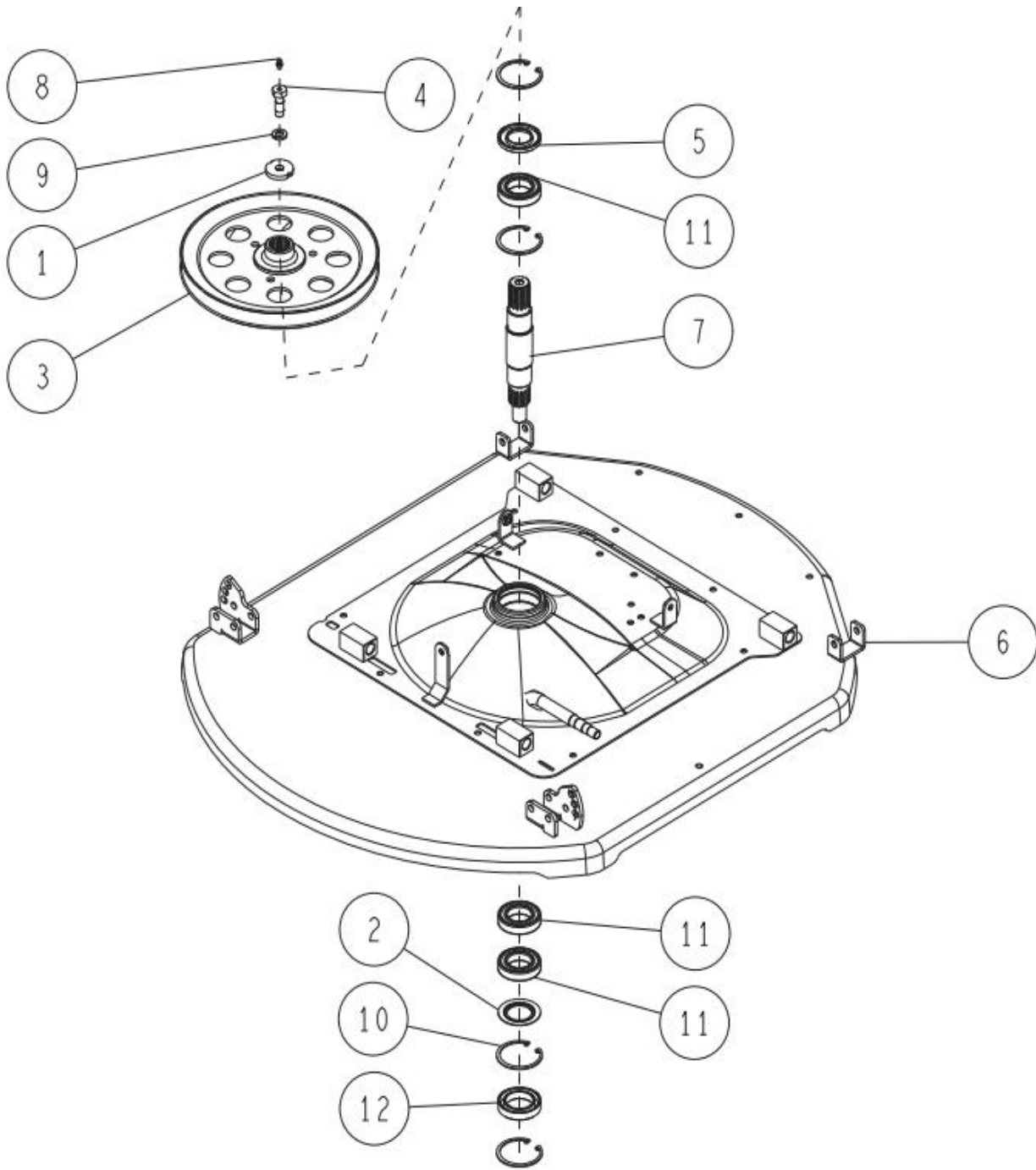


16	89-2521-000100	E Type Ring 10	2	
15	89-2181-060162	Flat Head Pin 6*16	1	
14	89-2120-200152	Split Pin 2*15	1	
13	89-1233-080202	Mini Hexagonal Bolt (PWSW) M8*20	6	
12	89-1233-080162	Mini Hexagonal Bolt (PWSW) M8*16	3	
11	83-1754-329-00	Washer 13*22*1.0	4	
10	83-1565-329-02	Washer 13*22*2.3	4	
9	80-1792-988-00	Harness Clip 8	1	
8	80-1485-551-00	Driving Tension Spring	1	
7	0352-77200	Resin bush 12.20	2	
6	0352-5320H	Knife belt cover CMP (Metallic Grey)	1	
5	0312-75200	Blade brake wire	1	
4	0244-5071H	Knife Brake Base CMP (Metallic Grey)	1	
3	0244-5060H	Knife Brake CMP (Metallic Grey)	1	
2	0244-4260H	Knife Pulley Belt Holder (Metallic Grey)	1	
1	0244-4240H	Belt Holder Left (Metallic Grey)	1	
NO	Parts No	Parts Name	Qty	Remarks



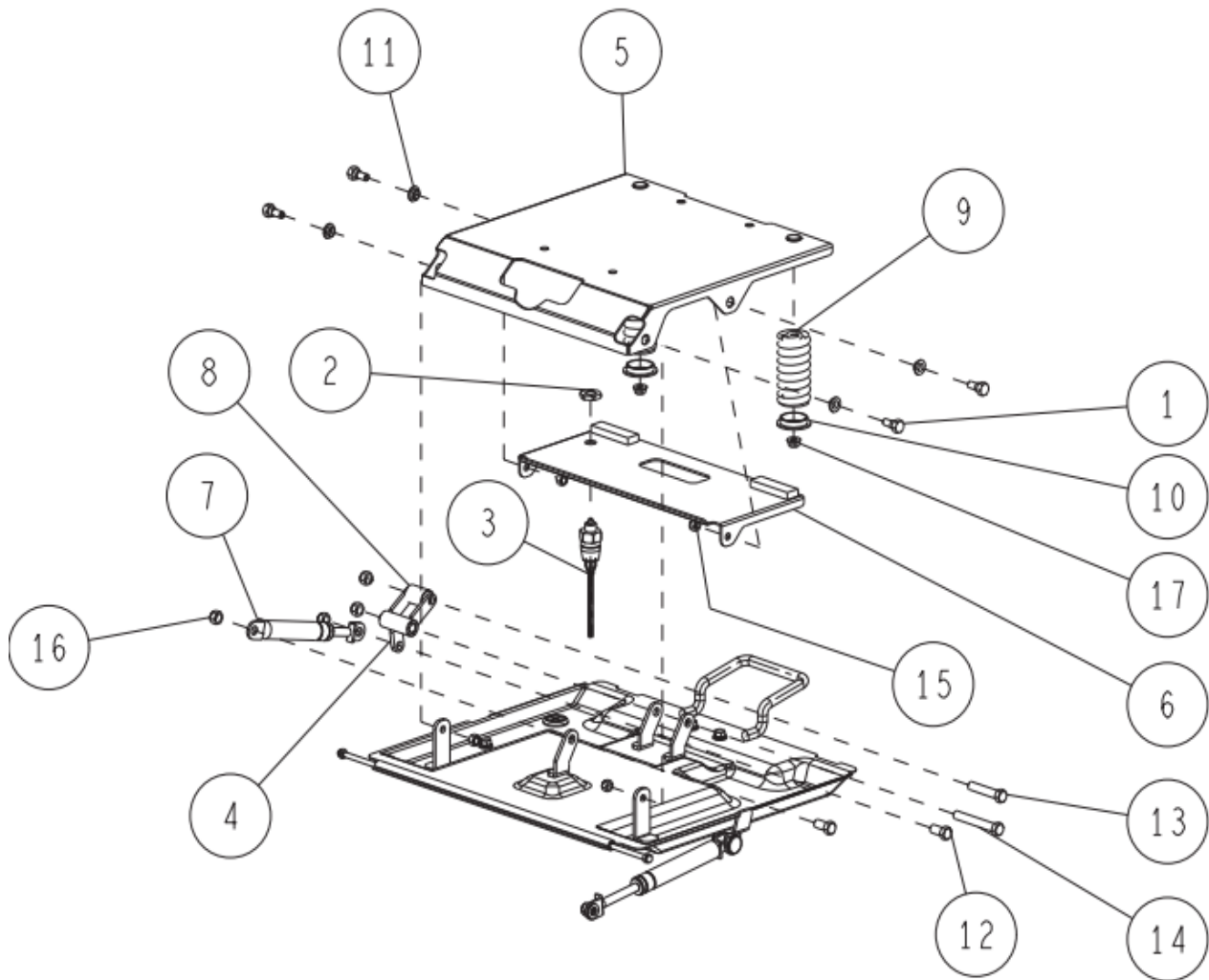
1 PCS : top and

-	0244-78010	Knife & Blade Bolt Set RM85	1	1, 4, 7, 8, 10(Bolt 4 pcs)
-	0244-78210	Knife Setting Bolt Set M14	2	1, 4, 7(Bolt 2 pcs)
13	89-1750-200002	Spring Washer 20	1	
12	89-1750-140002	Spring Washer 14	2	
11	83-1483-175-00	Bag Nut M20 (Lock)	1	
10	80-1483-818-00	Knife Collar	2	
9	0312-5180H	Washer Plate CMP (Metallic Grey)	1	
8	0244-89100	Brade RM85	2	
7	0244-74600	Hard Lock Nut M14	2	※1 PCS : top and bottom set
6	0244-5210H	Knife Neck Guard (Metallic Grey)	1	
5	0244-5190H	Knife Bracket (Metallic Grey)	1	
4	0244-51800	Nut Guard 14	2	
3	0244-51600	Mini Hexagonal Bolt (8T) M14*30 (Knife Sta	2	
2	0244-51100	Knife Stay (R817A)	1	
1	0207-50200	Knife Setting Bolt M14*34	2	
NO	Parts No	Parts Name	Qty	Remarks



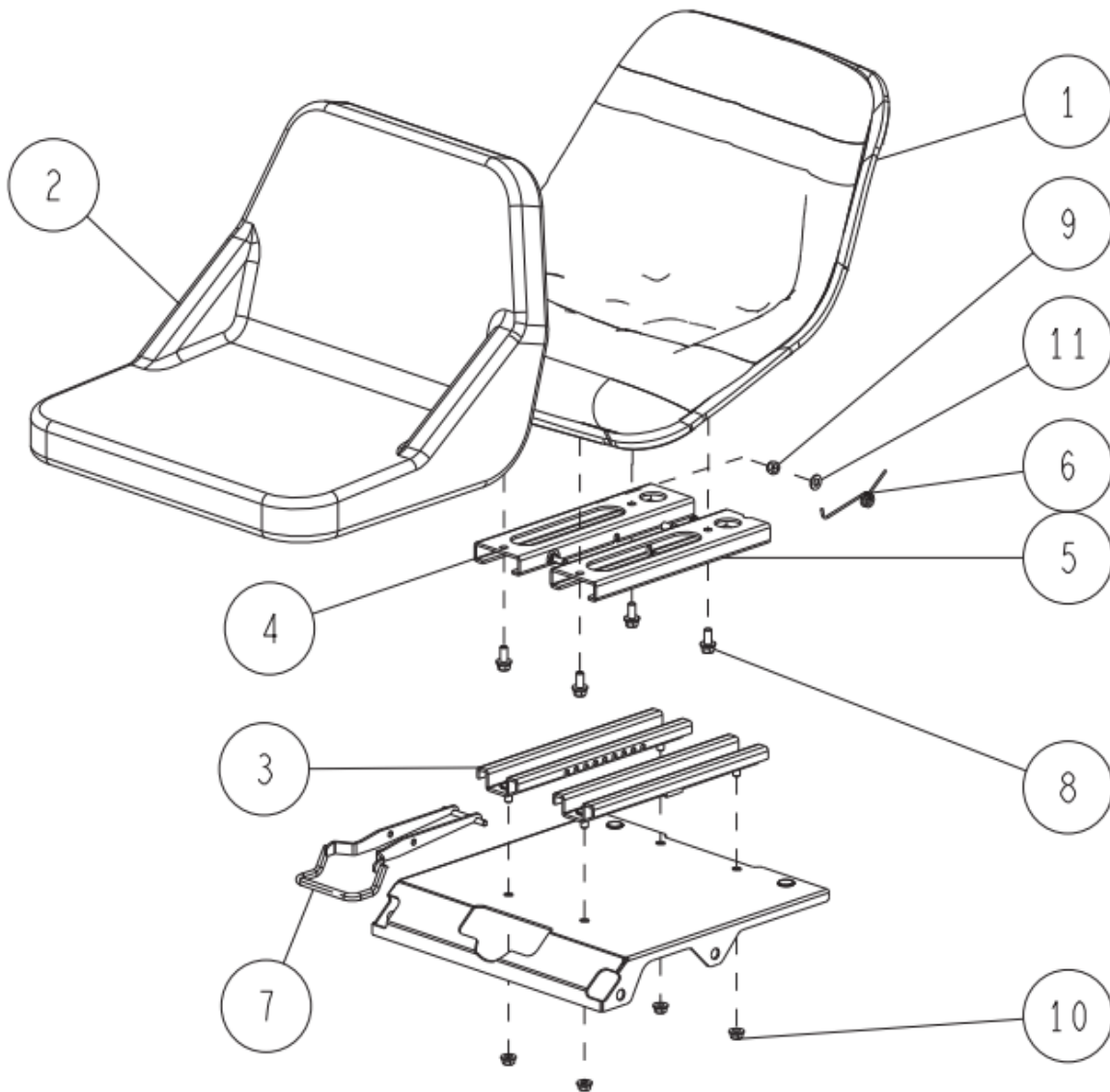
-	0322-52000	Nipple Bolt Set	1	4, 8
12	89-5121-406212	Oil Seal UE 40.62.12	1	
11	89-3115-060074	Bearing 6007 2RS	3	
10	89-2512-000620	Snap Ring (R62)	4	
9	89-1750-120002	Spring Washer 12	1	
8	83-1415-975-00	Grease Nipple M6	1	
7	0352-50200	Vertical shaft	1	
6	0352-5010H	Safety cover CMP (Metallic Grey)	1	
5	0322-72700	Oil Seal UE 35.62.6	1	* Set to the OPP direction
4	0322-52200	Nipple Bolt M12*35 (8T)	1	
3	0312-5030H	Knife Pulley CMP (Metallic Grey)	1	
2	0262-50100	Dust Plate	1	
1	0221-76100	Washer 12*40*6	1	
NO	Parts No	Parts Name	Qty	Remarks

51/57 Seat Part 1/3



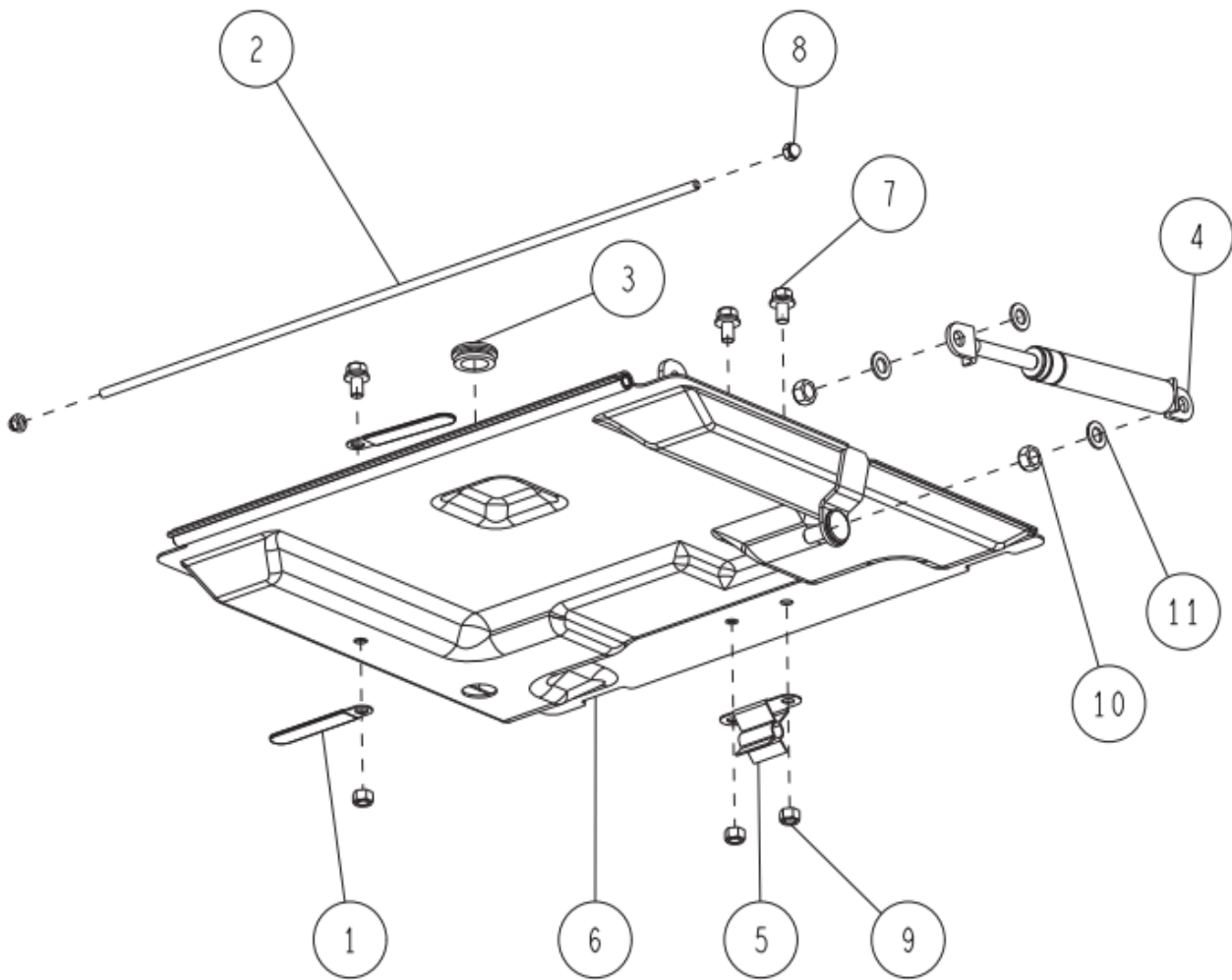
17	89-1631-080042	Flange Mini Hexagonal Nut M8	2	
16	89-1561-100002	Mini Hexagonal U Nut M10	4	
15	89-1561-080002	Mini Hexagonal U Nut M8	4	
14	89-1211-100702	Mini Hexagonal Bolt M10*70	1	
13	89-1211-100502	Mini Hexagonal Bolt M10*50	1	
12	89-1211-100202	Mini Hexagonal Bolt M10*20	2	
11	0352-77700	Resin bush 10.5.18	4	
10	0352-75800	Resin bush 30.9.42	2	
9	0352-73500	Seat spring	2	
8	0352-21500	Sheet receiving roller	1	
7	0352-72700	Gas spring 30-40	1	
6	0352-2140H	Seat switch bracket CMP(Metallic Grey)	1	
5	0352-2130H	Sheet receiving CMP (Metallic Grey)	1	
4	0352-2110H	Roller receiving CMP (Metallic Grey)	1	
3	0207-74400	Safety Switch K17850	1	
2	0207-72800	Switch Lock Nut	1	
1	80-1488-747-00	Bolt for Right Cover Up/Down Arm	4	
番号	部品番号	部品名	個数	備考

52/57 Seat Part 2/3



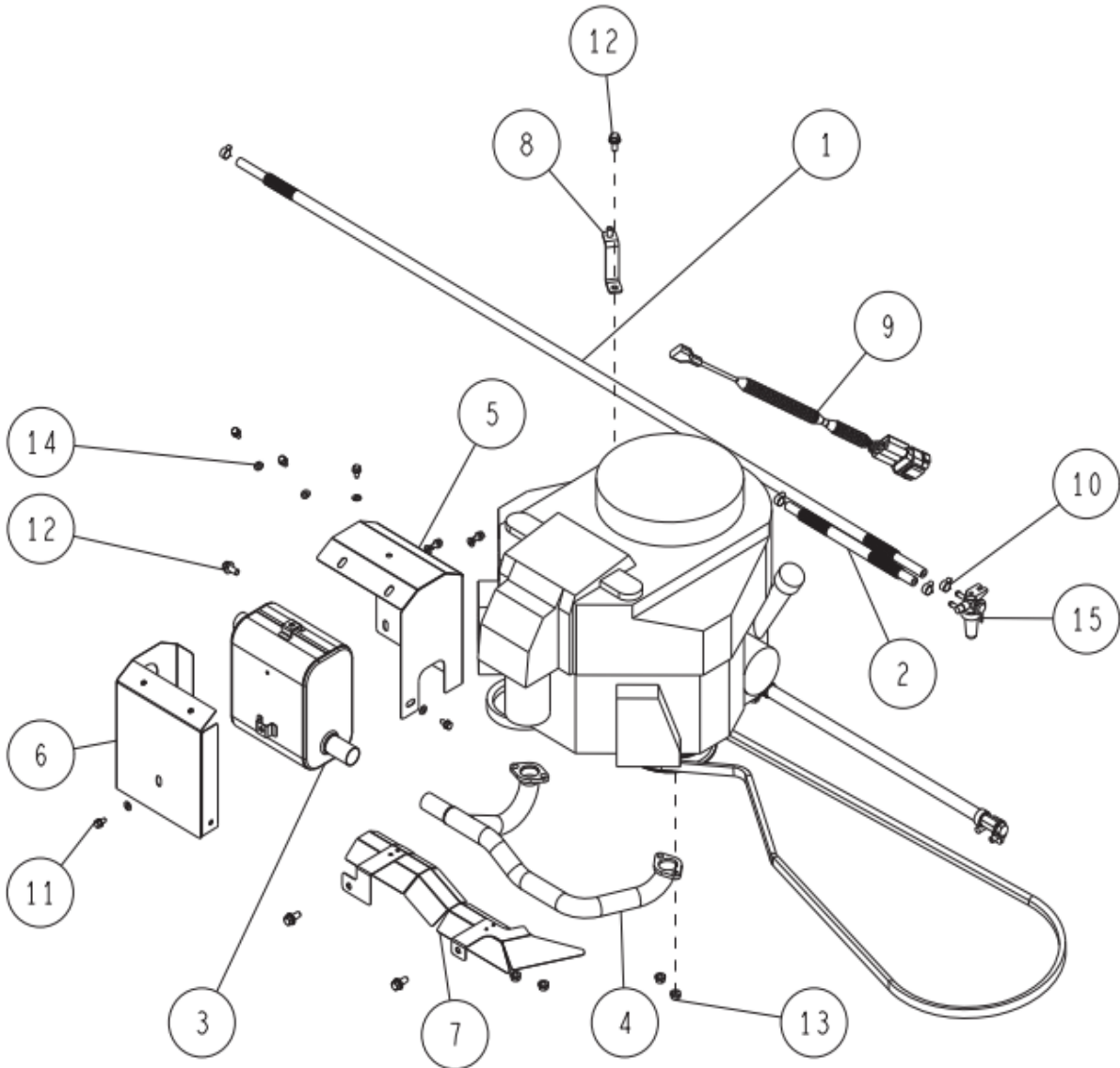
11	89-1711-080002	Flat washer 8 x 16 x 1.2	1	
10	89-1631-080042	Small hexagon nut with seat M8	4	
9	89-1561-080002	Small U nut M8	1	
8	89-1233-080202	Small Hex Bolt (SW.PW) M8X20	4	
7	0341-2180H	Slide Lever CMP (Metallic Grey)	1	
6	0341-21500	Seat lever spring	1	
5	0341-2140H	Upper Slide CMP (L) (Metallic Grey)	1	
4	0341-2130H	Upper Slide CMP (R) (Metallic Grey)	1	
3	0341-2120H	Lower Slide CMP (Metallic Grey)	2	
2	0322-73100	Seat cover	1	
1	0284-78100	Seat K4 (Black)	1	
NO	Parts No	Parts Name	Qty	Remarks

53/57 Seat Part 3/3



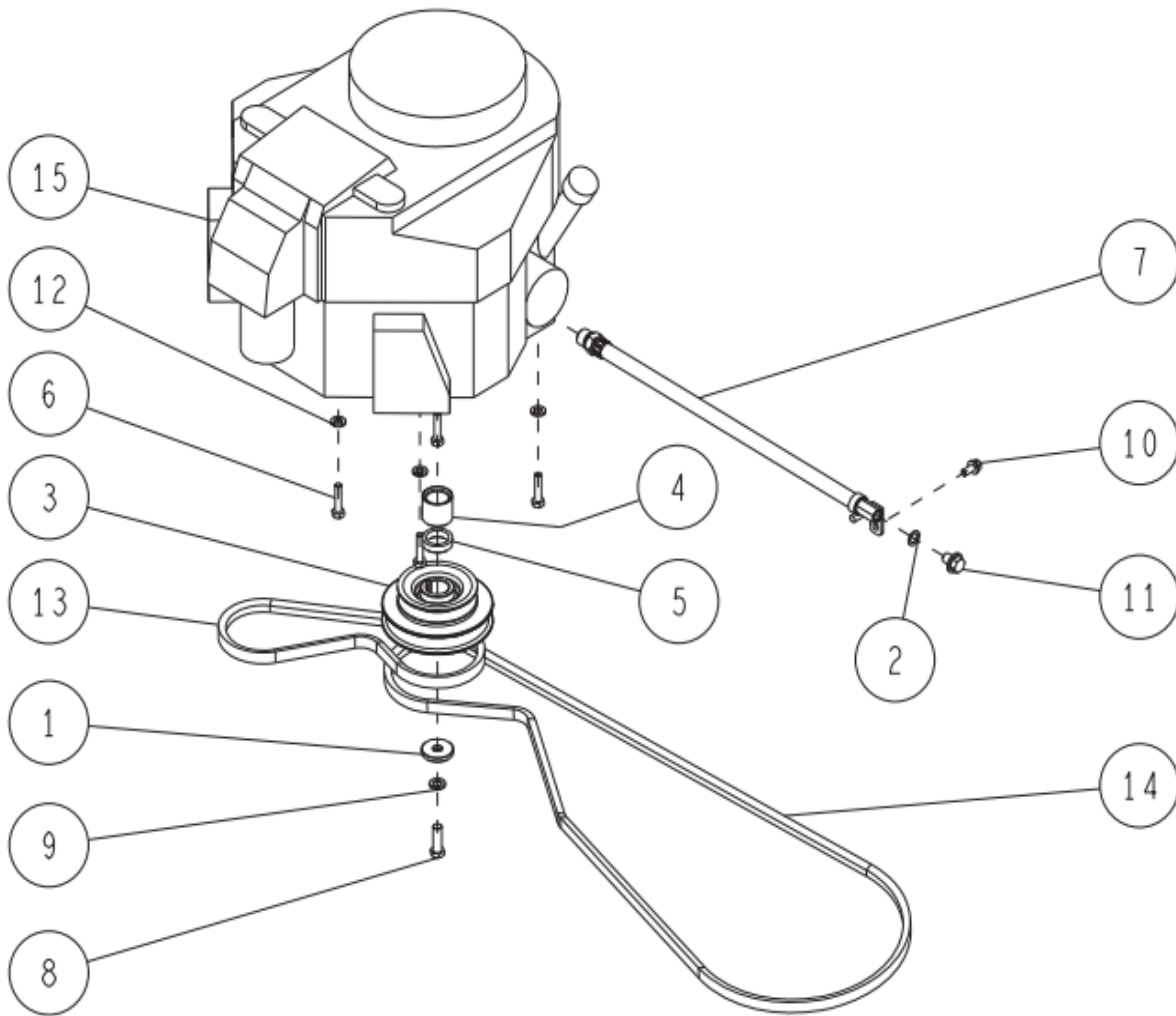
11	89-1711-100002	Flat washer 10X18X1.6	3	
10	89-1561-100002	Small U nut M10	2	
9	89-1561-080002	Small U nut M8	3	
8	89-1553-060002	U nut M6 (with cap)	2	
7	89-1233-080162	Small Hex Bolt (SW.PW) M8X16	3	
6	0352-2120H	Seat bracket CMP (Metallic Grey)	1	
5	0312-70700	Bonnet Clip	1	
4	0310-73800	Gas Spring 65-40	1	
3	0244-73700	Grommet 24	1	
2	0244-22200	Seat Bracket Shaft	1	
1	80-1792-988-00	Harness clip	2	
NO	Parts No	Parts Name	Qty	Remarks

54/57 Engine Part 1/2



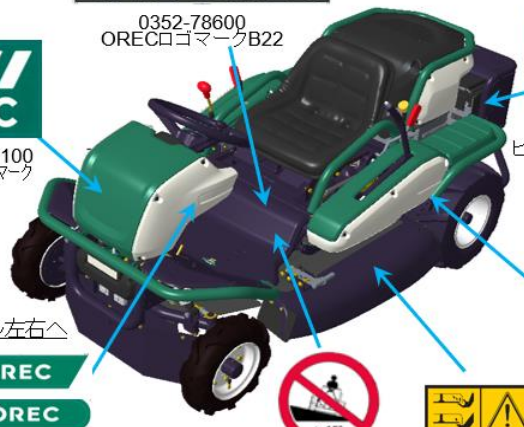
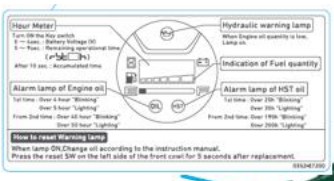
15	0352-73400	燃料コックEY13	1	
14	89-1711-060002	平座金 6X13X1.0	7	
13	89-1543-080002	小型六角ナット(SW) M8	4	
12	89-1233-080202	小型六角ボルト(SW.PW)M8X20	4	
11	89-1132-060122	六角ボルト(SW) M6X12	7	
10	80-1483-988-00	ホースクリップ17	4	
9	0352-74400	カワサキハーネス	1	
8	0352-42100	アース取付ステーCMP	1	
7	0352-4050H	エキパイカバーK73 CMP ガンメタ	1	
6	0352-40400	マフラーカバー右CMP	1	
5	0352-40300	マフラーカバー左	1	
4	0352-40200	エキパイK7 CMP	1	
3	0352-40100	マフラーCMP	1	
2	0322-70500	燃料ホース L270	1	
1	0312-72400	燃料ホース前	1	
NO	Parts No	Parts Name	Qty	Remarks

55/57 Engine Part 2/2



15	9025-0010	Kawasaki Engine FS691V-AG80	1	
14	89-6123-007804	V-belt (cutting) LB-78 (AG14B)	1	
13	89-6123-003204	V-belt (running) LB-32 (AG14B)	1	
12	89-1750-100002	Spring washer $\phi$ 10	4	
11	89-1251-120152	Small hexagon bolt with seat M12X15	1	
10	89-1233-080202	Small Hex Bolt (SW.PW) M8X20	1	
9	83-1493-300-00	Spring washer 7/16	1	
8	83-1437-115-00	Hexagon bolt UNF7 / 16-20 $\times$ 35	1	
7	0312-44100	Oil drain (K) Assy	1	
6	0312-42100	Hexagon bolt (8T) UNC3 / 8-16 $\times$ 38	4	
5	0244-41200	Sub engine color (21HP)	1	
4	0244-41100	Engine color (21HP)	1	
3	0221-40400	Engine tree	1	
2	0207-74900	Copper packing 12.5x19x1.0	1	
1	80-1487-516-00	Washer 11.5 $\times$ 40 $\times$ 6	1	
NO	Parts No	Parts Name	Qty	Remarks



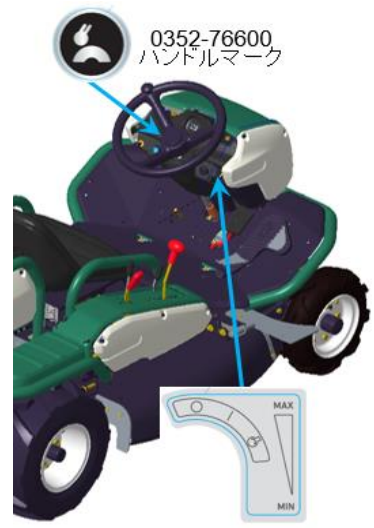
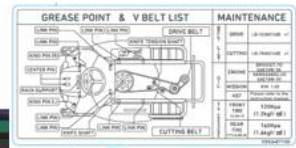
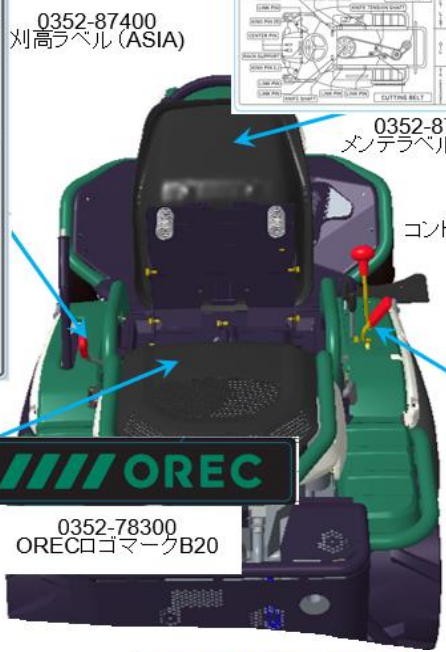


チャージ CHARGE	アクセサリ ACCESSORY
20A	10A

0352-78400



0329-76200  
注意マーク(カバー)



エンジンカウル左右へ

ASIA仕様

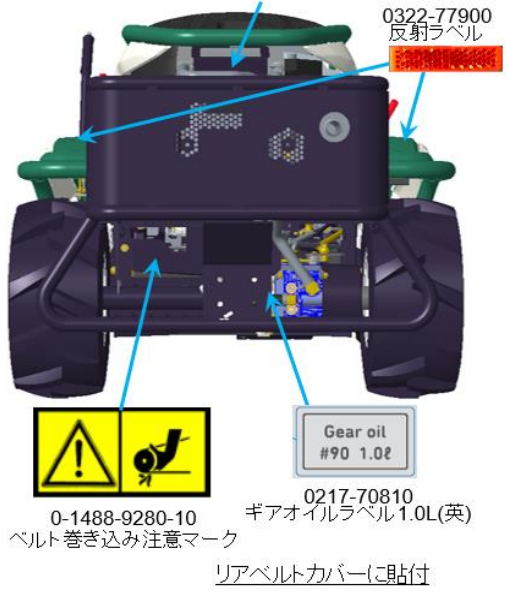
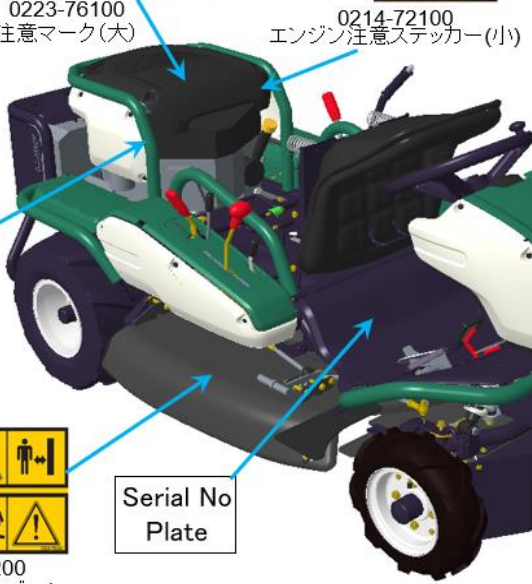
**RM-one**  
RM984

0352-76800  
型式マーク(RM984)

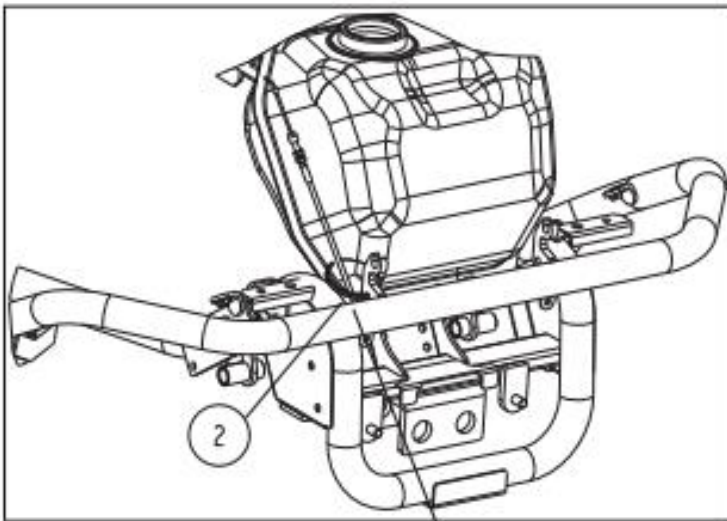
台湾仕様

**RM-one**  
RM984T

0352-81100  
型式マーク(RM984T)

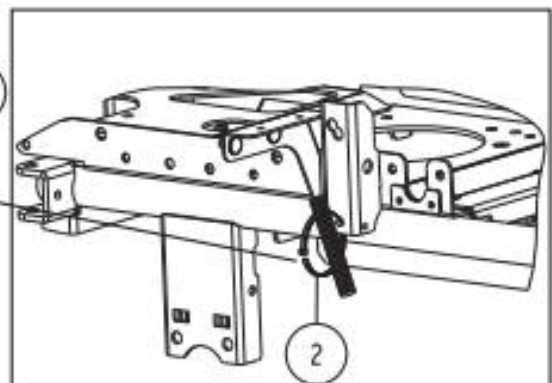
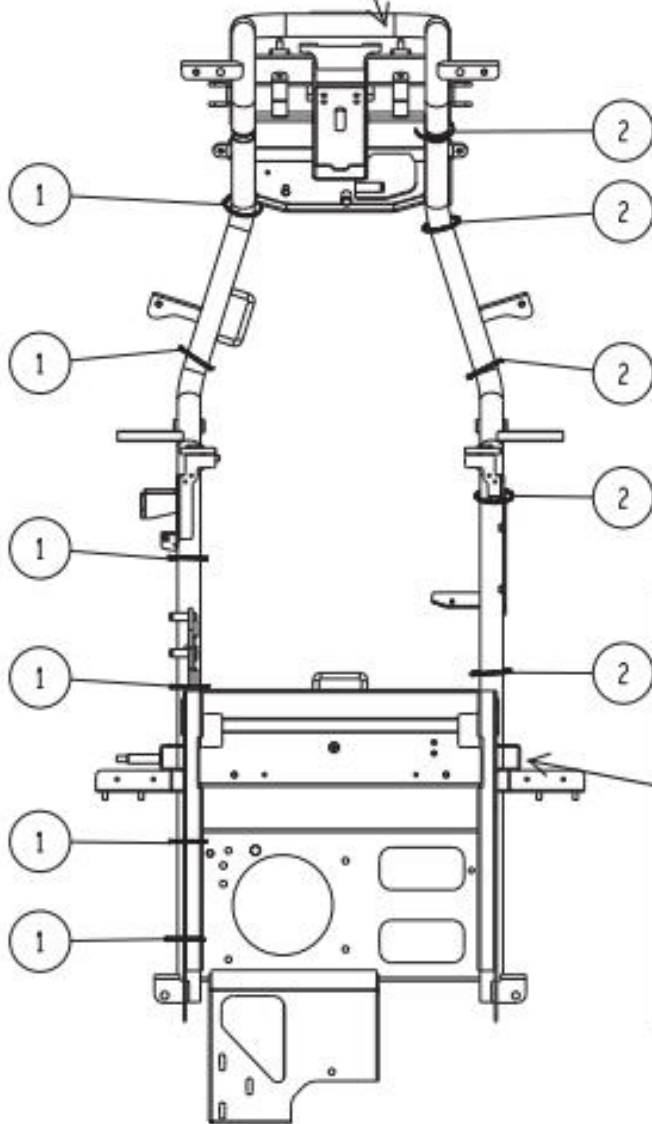


57/57 Wire band mounting position



機番HYBAE00330~

Used to reduce the deflection of the throttle



Used to reduce the deflection of the

2	83-1711-719-00	Wire Band 200L (White)	7	
1	0341-71200	Cable Ties 200L Black	6	
NO	Parts No	Parts Name	Qty	Remarks