

OREC

発行N o . RMK150A-06

Parts catalog

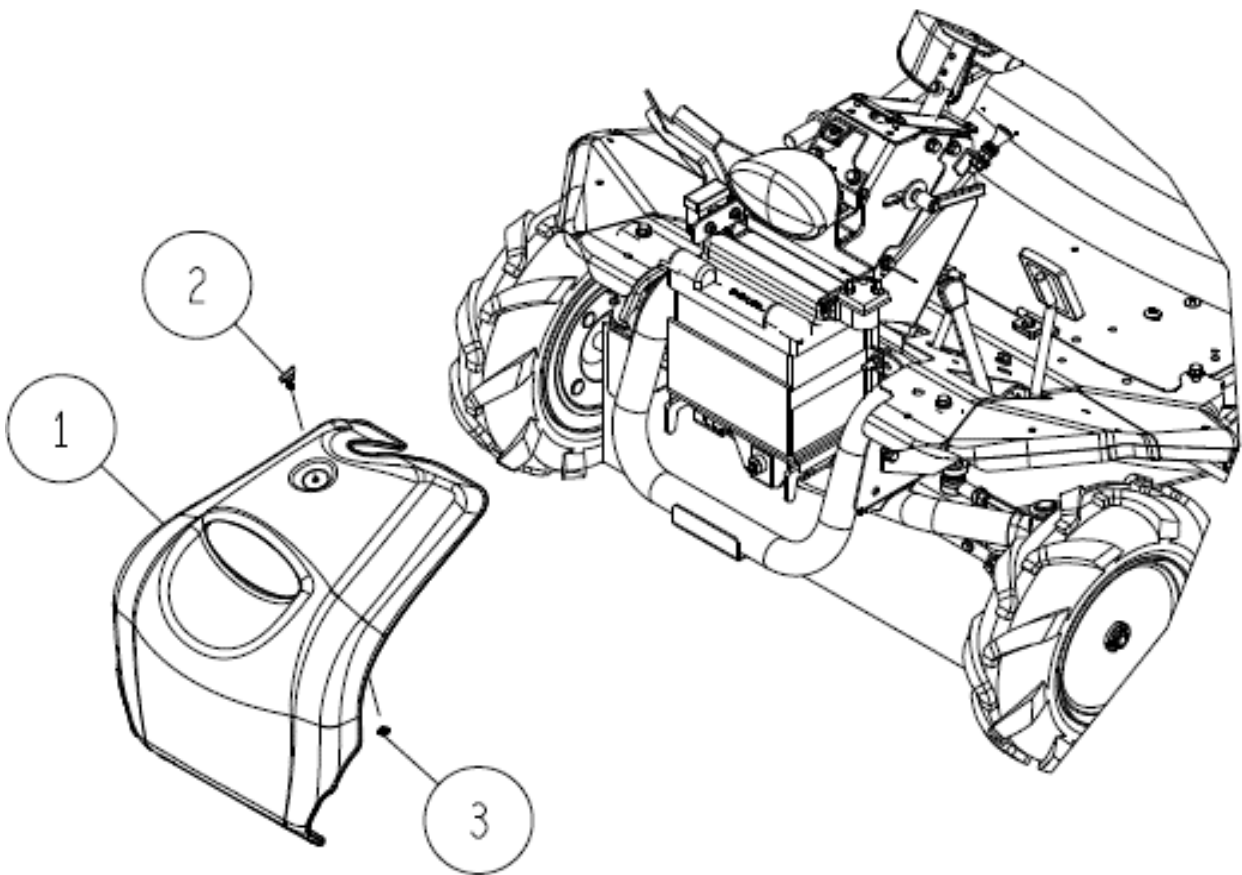
Rabbit Mower

RMK 1 5 1
RMK 1 5 0 A

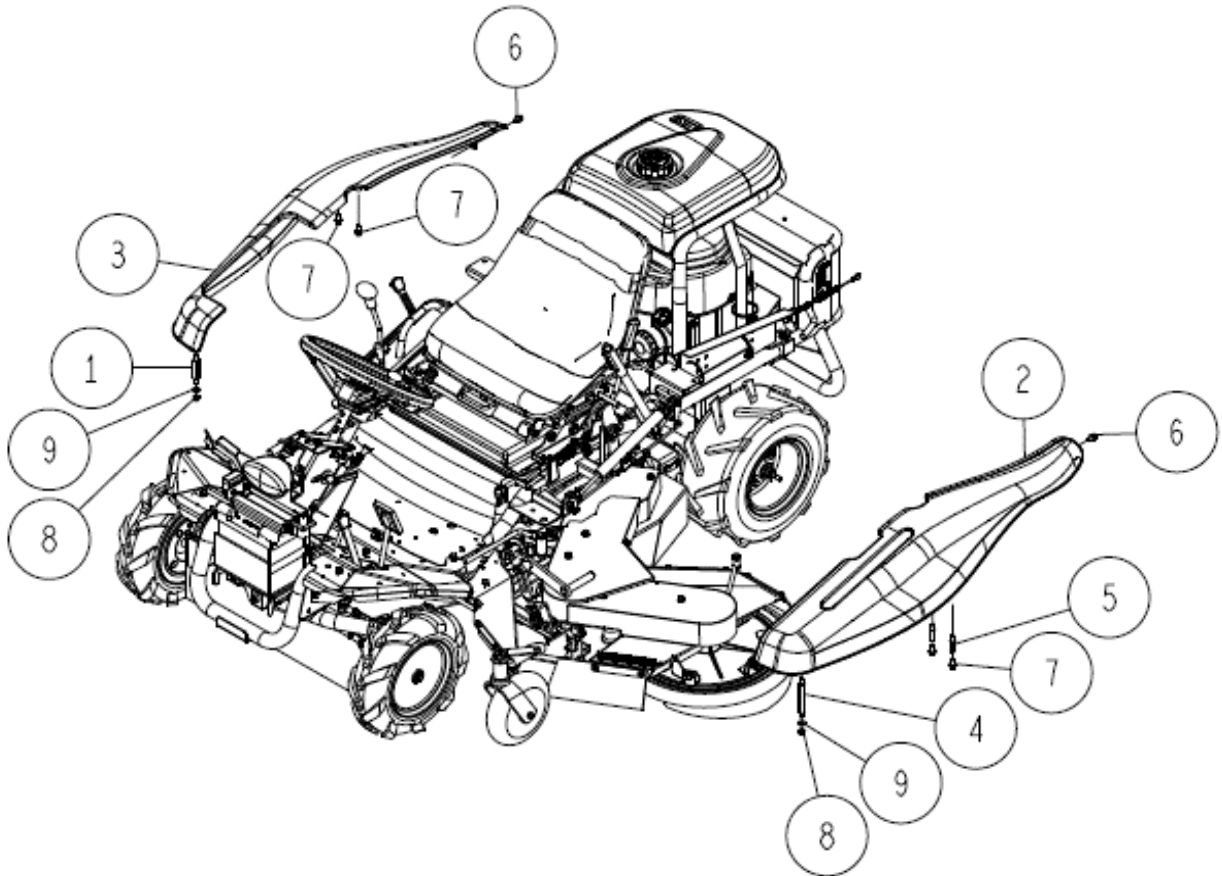


《contents》

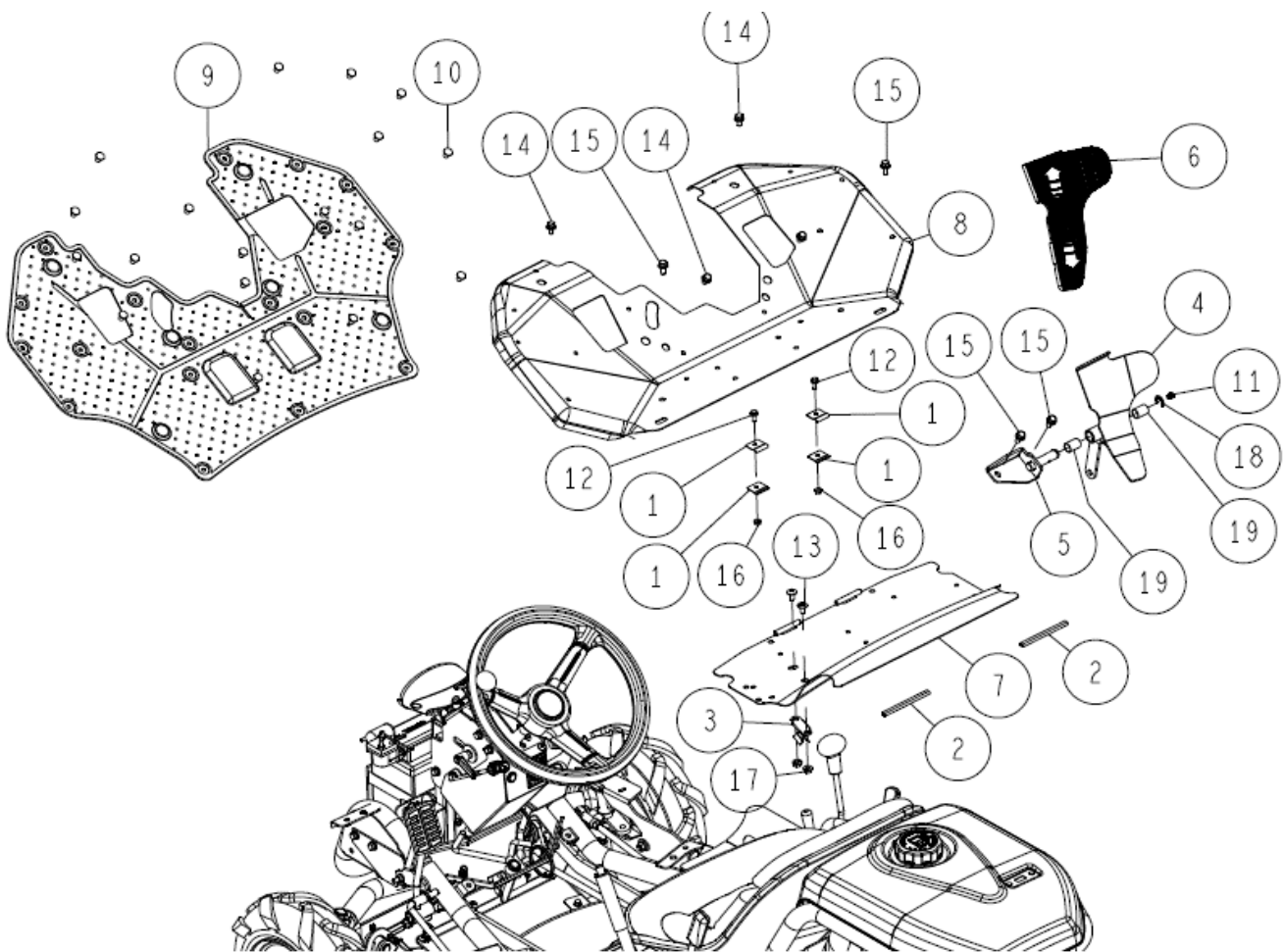
Frame part	1
Mission HST Part	15
Handle part	24
Front part	28
Tire part	32
Control Part	33
Cutting Part	36
Offset part	44
Seat part	53
Engine part	57
Label part	61



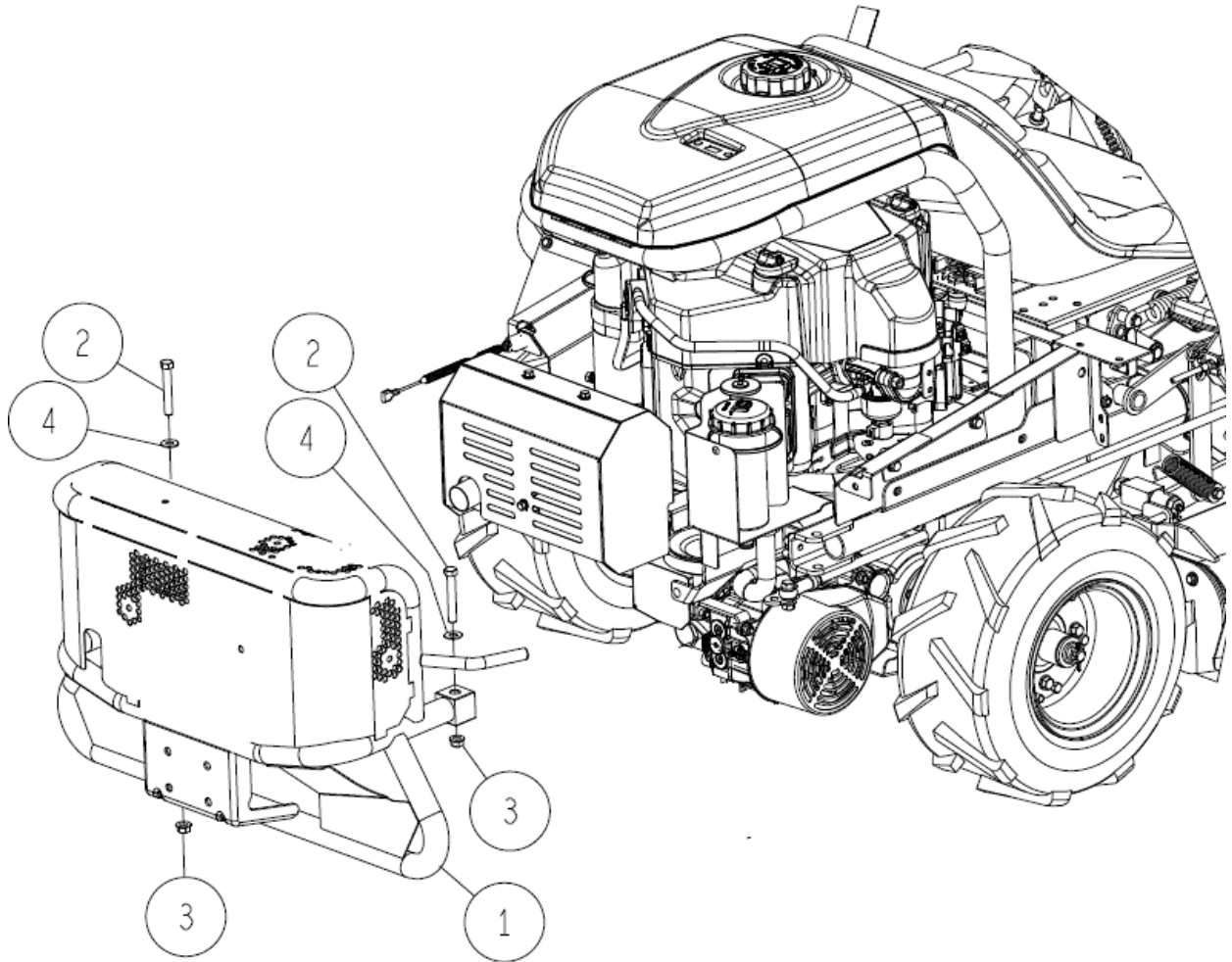
3	0322-71700	Retainer	1	1	
2	0322-71200	Wing Stud ϕ 6*14	1	1	
1	0341-71300	Front Cover(IA)	1		Blue
	0322-70900	Front Cover(OR)	1(OR)	1	White
No	Parts No	Parts Name	RMK151	RMK150A	Remaks
			Qty		



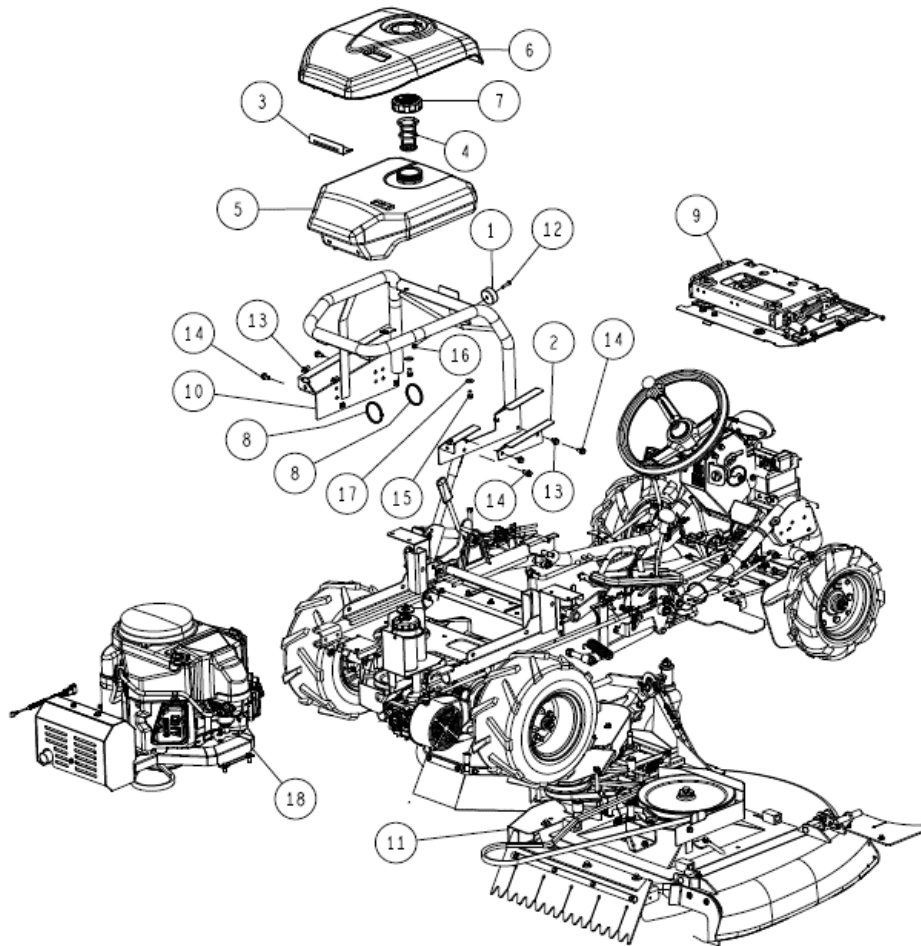
9	89-1714-080002	Flat Washer 8	2	2	
8	89-1543-080002	Mini Hexagonal Nut (SW) M8	2	2	
7	89-1233-080202	Mini Hexagonal Bolt (PWSW) M8*20	4	4	
6	89-1233-080162	Mini Hexagonal Bolt (PWSW) M8*16	2	2	
5	0919-01200	Belt Cover Setting Bolt A	2	2	
4	0329-71100	Double Screw Bolt 85L	1	1	
3	0342-73500	Side Cover (R) (White)	1		OR
	0342-73700	Side Cover (R) (Blue)	1		IA
	0312-77700	Side cowl right Blue		1	IA
	0312-73300	Side Cover (R) (Green)		1	OR
2	0342-73600	Side Cover (L) (White)	1		OR
	0342-73800	Side Cover (L) (Blue)	1		IA
	0312-77800	Side cowl left Blue		1	IA
	0312-73200	Side Cover (L) (Green)		1	OR
1	0267-40900	Double Screw Bolt M	1	1	
No	Parts No	Parts Name	RMK151	RMK150A	Remaks
			Qty		



19	89-3510-016250	DU Bush 16.25	2	2	
18	89-2521-000120	E Type Ring 12	1	1	
17	89-1631-080042	Flange Mini Hexagonal Nut M8	2	2	
16	89-1531-060042	Flange Nut M6	2	2	
15	89-1233-080202	Mini Hexagonal Bolt (PWSW) M8*20	4	4	
14	89-1233-080162	Mini Hexagonal Bolt (PWSW) M8*16	4	4	
13	89-1159-080168	Truss Mini Screw M8*16	2	2	
12	89-1137-060172	Hexagonal Bolt (PW) M6*17	2	2	
11	83-1515-975-00	Grease Nipple C-Type M6	1	1	
10	83-1484-369-00	Clip (5347)	18	18	
9	0349-70100	Step rubber	1	1	
8	0349-2510G	Step green	1		OR
	0349-2510H	Step (Metallic Grey)	1		IA
	0349-25101	Step white		1	
7	0348-2520G	Center Step CMP (Green)	1		OR
	0348-25201	Center Step CMP (White)	1(IA)	1	IA·OR
6	0341-70200	Change Pedal Rubber	1	1	
5	0341-10403	Pedal stay CMP (Metallic Grey)	1	1	
4	0341-1031H	Change Pedal CMP (Metallic Grey)	1		
	0341-1031H	Change Pedal CMP (Metallic Grey)		1	BWAGL00109~
	0341-1030H	Change pedal CMP (Metallic Gray)		1	~BWAGL00108
3	0312-70700	Bonnet Clip	1	1	
2	0301-60400	Rubber 110L	2	2	
1	0028-70500	Center Step Hinge	4	4	
No	Parts No	Parts Name	RMK151	RMK150A	Remaks
			Qty		

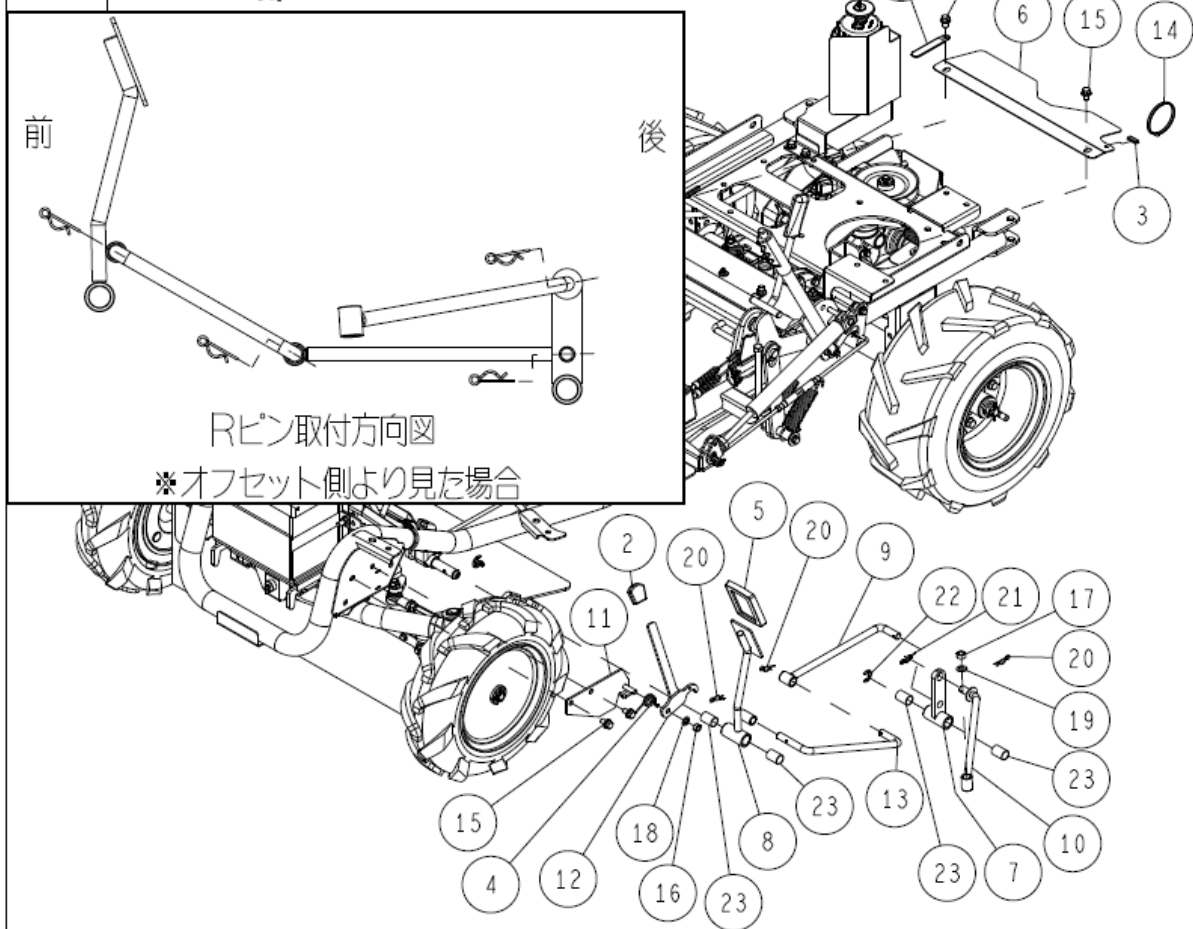


4	89-1714-100002	Flat Washer 10	2	2	
3	89-1631-100042	Flange Mini Hexagonal Nut M10	2	2	
2	89-1213-100652	Mini Hexagnal Bolt (8T) M10*65	2	2	
1	0348-2020G	Rear Frame CMP (Green)	1		OR
	0348-2020H	Sub Frame CMP (Metallic Grey)	1		IA
	0348-20203	Rear Frame CMP (Grey)		1	
No	Parts No	Parts Name	RMK151	RMK150A	Remaks
			Qty		

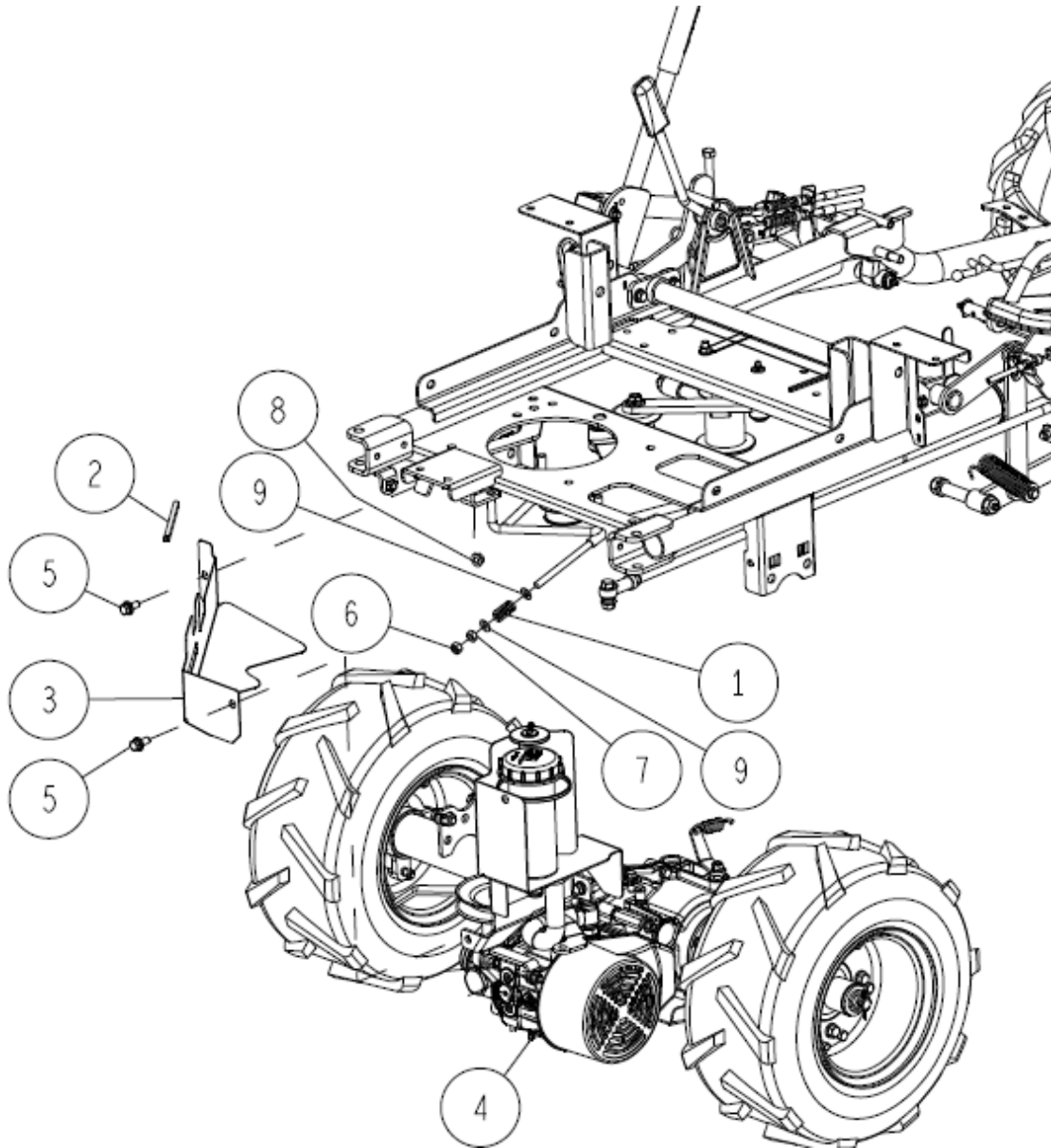


-	0322-71000	Fuel Tank Assy	1	1	4, 5, 7
18	-	Engine Part	1	1	詳細 P56~
17	89-1713-080002	Flat Washer 8 (Large)	2	2	
16	89-1531-060042	Flange Nut M6	1	1	
15	89-1232-080162	Mini Hexagonal Bolt (SW) M8*16	2	2	
14	89-1233-080202	Mini Hexagonal Bolt (PWSW) M8*20	4	4	
13	89-1233-080162	Mini Hexagonal Bolt (PWSW) M8*16	4	4	
12	89-1111-060252	Hexagonal Bolt M6*25	1	1	
11	-	Cutting part	1	1	詳細 P36~
10	0349-6010G	Tank holder CMP green	1		OR
	0349-6010H	Tank holder CMP (Metallic Gray)	1		IA
	0349-60106	Tank holder CMP blue		1	IA
	0349-60105	Tank holder CMP yellow-green		1	OR
9	-	Seat part	1	1	詳細 P53~
8	0341-71200	Cable Tie (L200)	2	2	黒色
7	0322-76000	Fuel Tank Cap Assy (with valve)	1	1	
6	0322-73200	Tank Cover (White)	1	1	IA・OR
5	0322-71800	Fuel Tank (with Fuel Gauge)	1	1	
4	0322-70700	Fuel Filter	1	1	
3	0322-60401	Fuel Tank Cover Stay (White)	1	1	IA・OR
2	0322-6020G	Rear Fender Cover (R) (Green)	1		OR
	0322-6020H	Rear Fender Cover (R) (Metallic Grey)	1		IA
	0322-60206	Rear Fender Cover (R) (Blue)		1	IA
	0322-60205	Rear Fender Cover (R) (yellowish green)		1	OR
1	80-1920-306-00	Stopper Rubber B-4	1	1	
No	Parts No	Parts Name	RMK151	RMK150A	Remaks
			Qty		

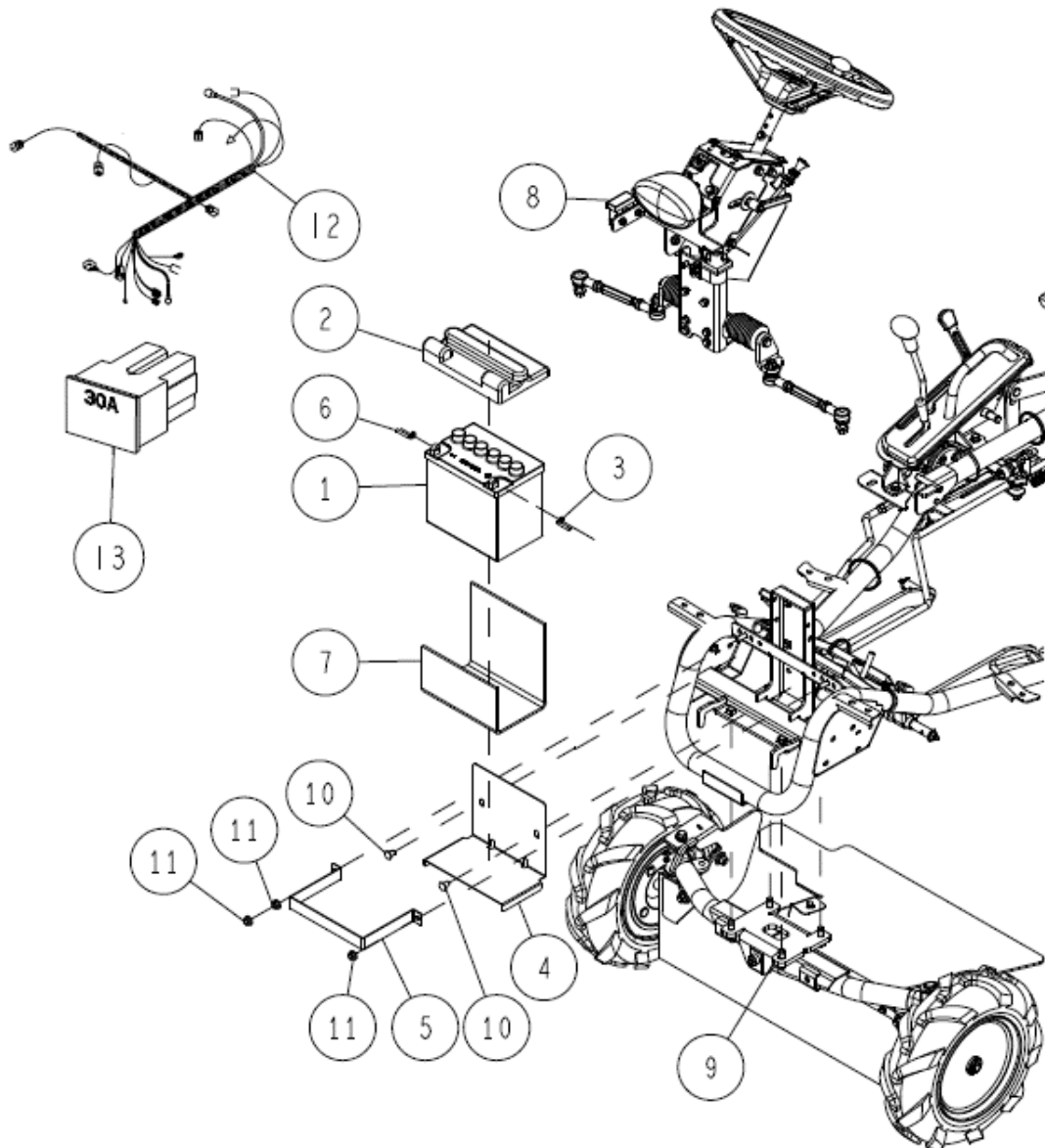
6/62 フレーム部 6/14



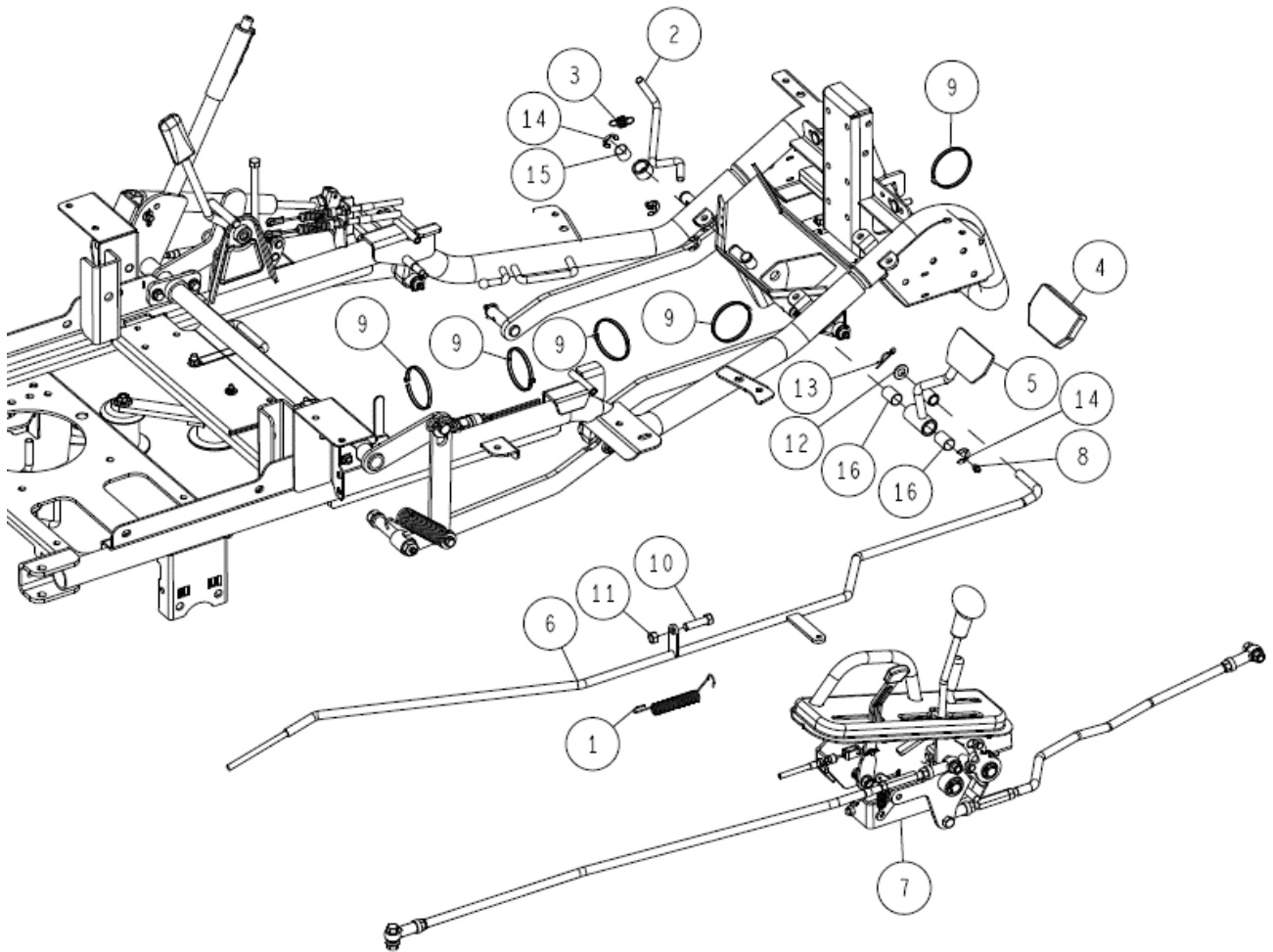
23	89-3510-016250	DU Bush 16.25	4	4	
22	89-2521-000120	E Type Ring 12	1	1	
21	89-2132-120002	R pin 10 (with Stopper)	1	1	※取付方向注意、上図参照のこと
20	89-2131-120002	Snap Pin 12	3	3	※取付方向注意、上図参照のこと
19	89-1711-100002	Flat Washer 10*18*1.6	1	1	
18	89-1711-080002	Flat Washer 8	1	1	
17	89-1561-100002	Mini Hexagonal U Nut M10	1	1	
16	89-1561-080002	Mini Hexagonal U Nut M8	1	1	
15	89-1233-080162	Mini Hexagonal Bolt (PWSW) M8*16	4	4	
14	83-1711-719-00	Wire Band 200L	1	1	
13	0349-57200	Offset pedal rod	1	1	
12	0329-58200	Pedal Stopper (RMK150)	1	1	
11	0329-5810H	Pedal Stopper BKT CMP (Metallic Gray)	1	1	
10	0329-57400	Offset Pedal Rod (C) CMP (RMK150)	1	1	
9	0329-57300	Offset Pedal Rod (B) CMP (RMK150)	1	1	
8	0329-5710H	Offset Pedal CMP (Metallic Gray)	1	1	
7	0329-5650H	Joint link CMP (Metallic Gray)	1	1	
6	0322-2250H	Upper Belt Cover (Metallic Grey)	1	1	
5	0310-73700	Pedal Rubber	1	1	
4	0276-01900	Spring for Change Arm Return	1	1	
3	0229-13100	Rubber, L20	1	1	
2	0215-70600	Lever Grip (Red)	1	1	
1	80-1792-988-00	Harness Clip 8	1	1	
No	Parts No	Parts Name	RMK151	RMK150A	Remarks
			Qty		



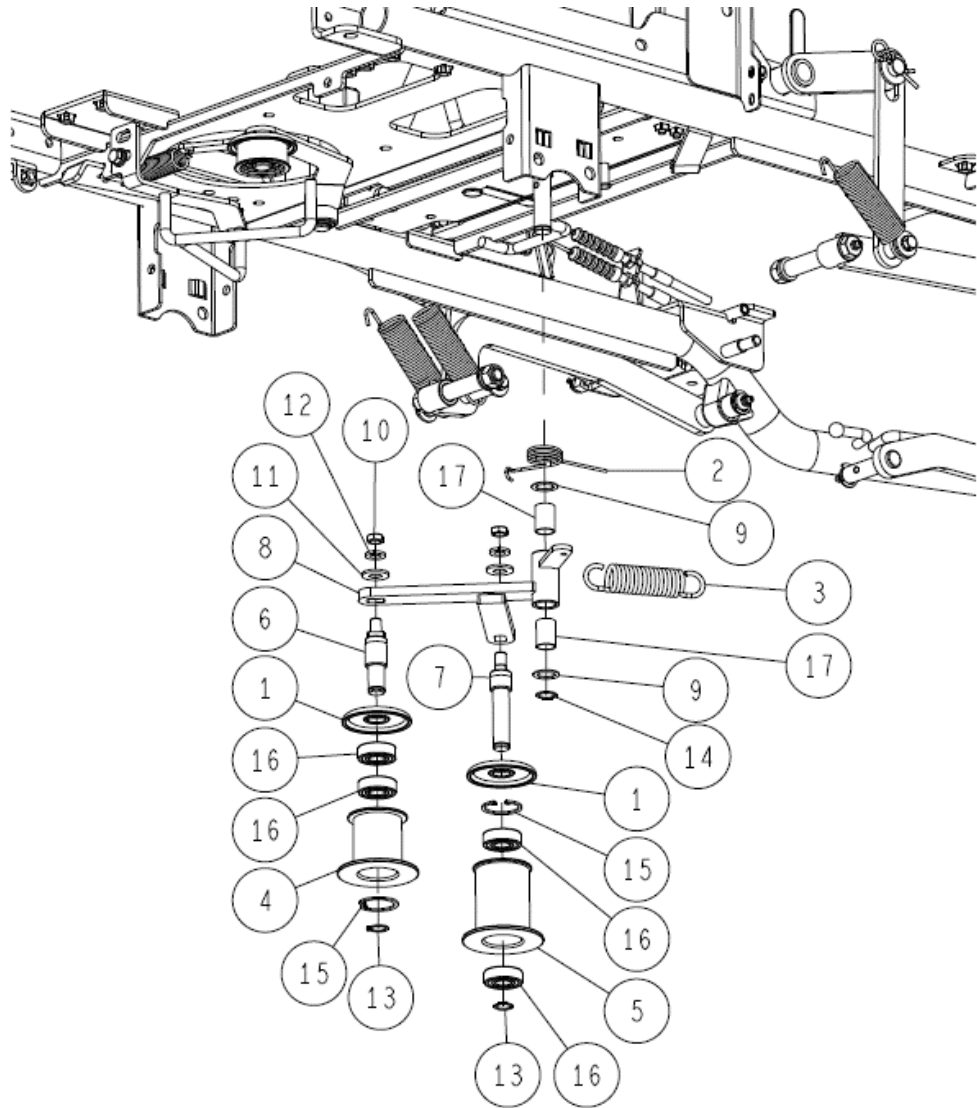
9	89-1711-080002	Flat Washer 8	2	2	
8	89-1631-080042	Flange Mini Hexagonal Nut M8	1	1	
7	89-1611-080042	Mini Hexagonal Nut M8	1	1	
6	89-1561-080002	Mini Hexagonal U Nut M8	1	1	
5	89-1233-080202	Mini Hexagonal Bolt (PWSW) M8*20	2	2	
4	-	Mission HST	1	1	詳細 P15~
3	0322-6030H	Rear Belt Cover (Metallic Grey)	1		
	0322-6030H	Rear Belt Cover (Metallic Grey)		1	BWAGA00001~(RMK150A)
	0329-6030H	Rear belt cover (Metallic Gray)		1	~46AFL00005(RMK150A)
2	0301-60400	Rubber 110L	1	1	
1	0207-75400	Brake Spring 30	1	1	
No	Parts No	Parts Name	RMK151	RMK150A	Remaks
			Qty		



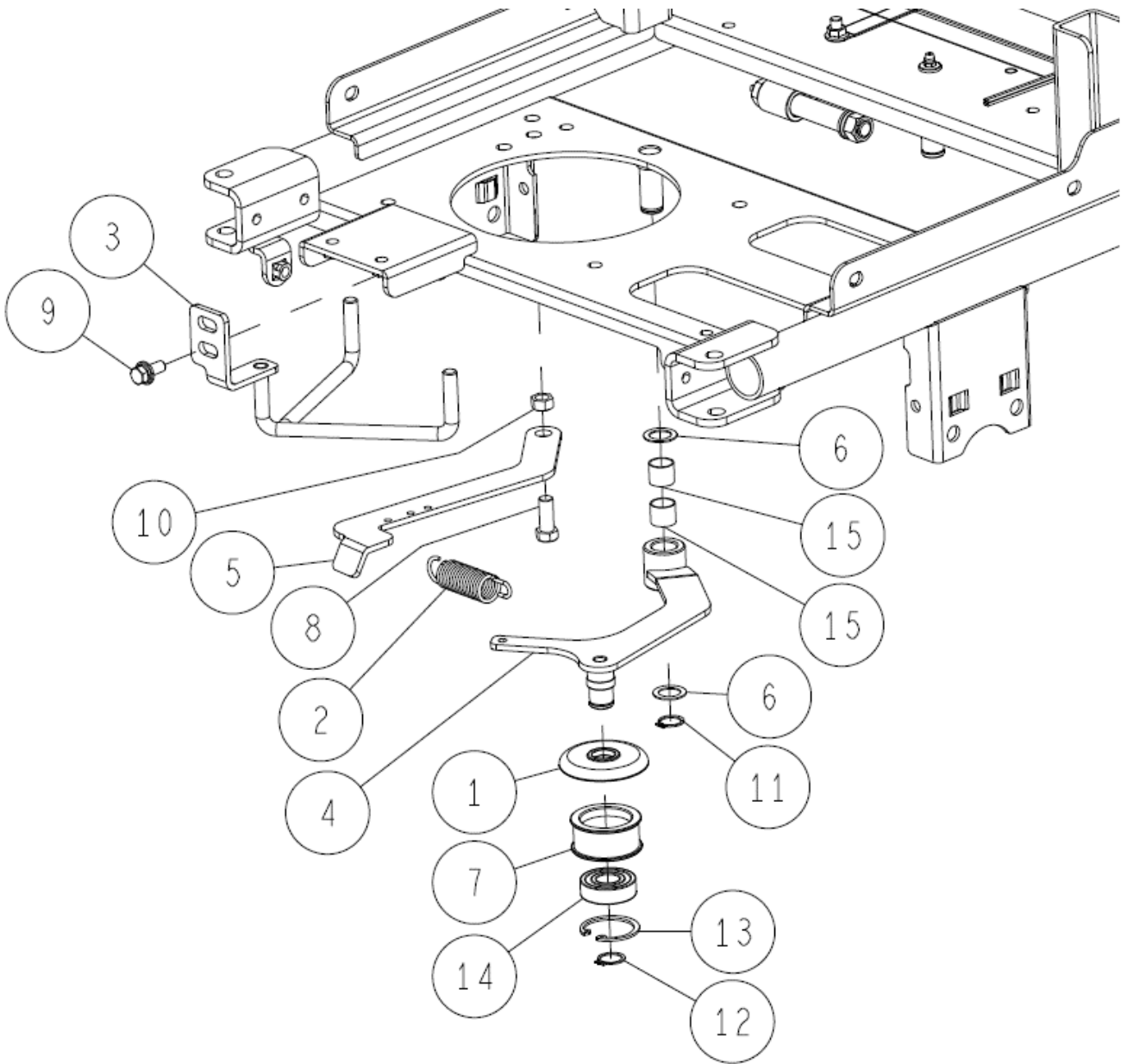
13	0312-75900	Fuse 30 A	1	1	
12	0341-72200	Wire Harness (RM882/K)	1	1	
11	89-1631-080042	Flange Mini Hexagonal Nut M8	3	3	
10	83-1484-369-00	Clip (5347)	2	2	
9	-	Front part	1	1	詳細 P28~
8	-	Handle Part	1	1	詳細 P24~
7	0322-72300	Cushion Rubber (Battery)	1	1	
6	0322-72200	Battery Minus Cord	1	1	
5	0322-2220H	Battery Holder CMP (Metallic Grey)	1	1	
4	0322-2210H	Battery Carrier (Metallic Grey)	1	1	
3	0207-77100	Battery Plus Cord 230	1	1	
2	0207-63200	Battery Cover	1	1	
1	80-1792-976-00	Battery (32A-19L)	1	1	
No	Parts No	Parts Name	RMK151	RMK150A	Remaks
			Qty		



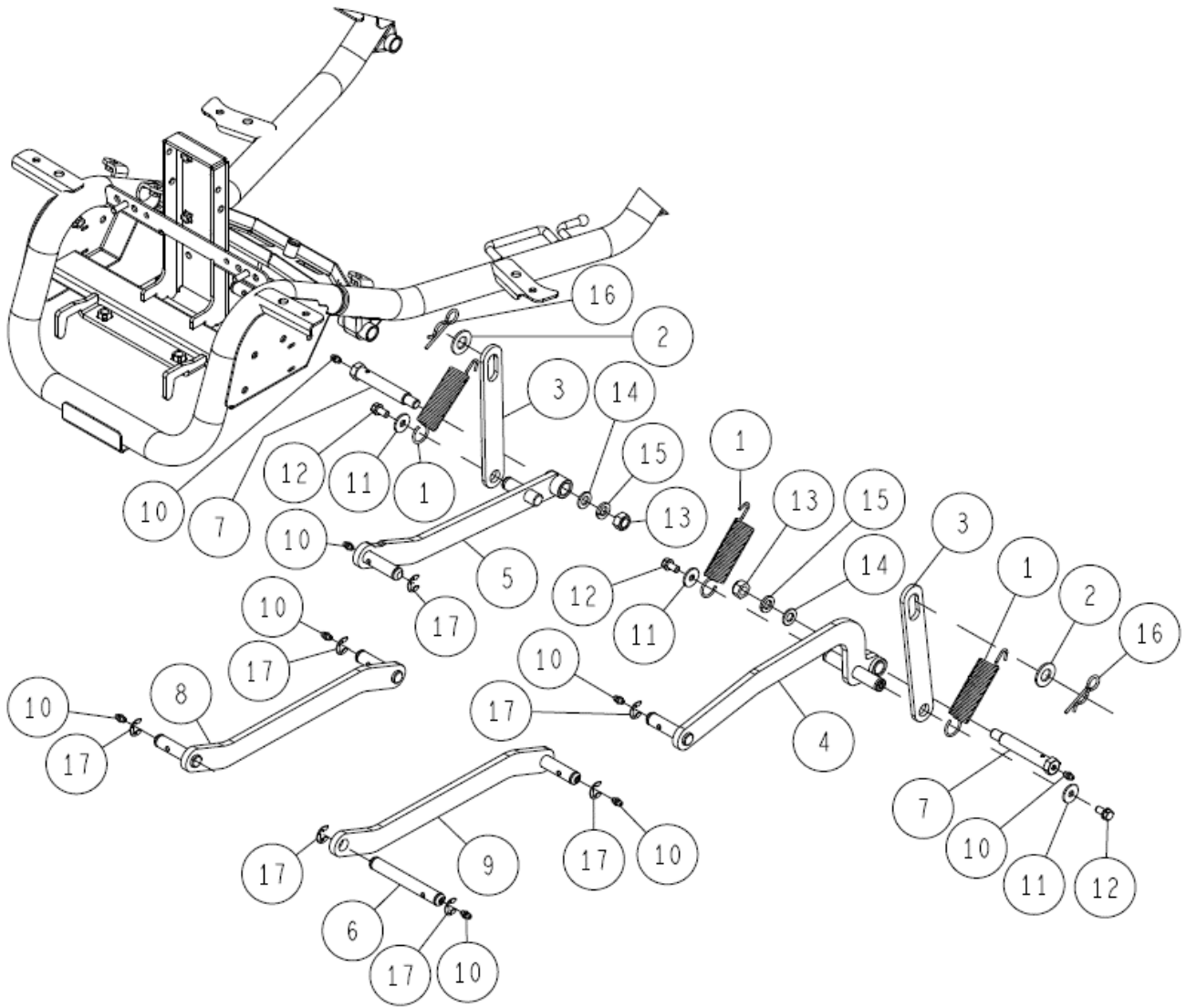
16	89-3510-016250	DU Bush 16.25	2	2	
15	89-3510-016150	DU Bush 16.15	1	1	
14	89-2521-000120	E Type Ring 12	2	2	
13	89-2131-120002	Snap Pin 12	1	1	
12	89-1711-120002	Flat Washer 12	1	1	
11	89-1611-100042	Mini Hexagonal Nut M10	1	1	
10	89-1213-100352	Mini Hexagonal Bolt (8T) M10*35	1	1	
9	83-1711-719-00	Wire Band 200L	5	5	
8	83-1415-975-00	Grease Nipple M6	1	1	
7	-	Contral Part	1	1	詳細 P33~
6	0340-10100	Brake Rod CMP	1	1	
5	0322-1040H	Brake Pedal CMP (Metallic Grey)	1	1	
4	0312-71100	Brake Pedal Rubber	1	1	
3	0312-23200	Brake Stopper Return Spring	1	1	
2	0312-23100	Brake Stopper CMP	1	1	
1	80-1493-354-00	Rod Return Spring	1	1	
No	Parts No	Parts Name	RMK151	RMK150A	Remaks
			Qty		



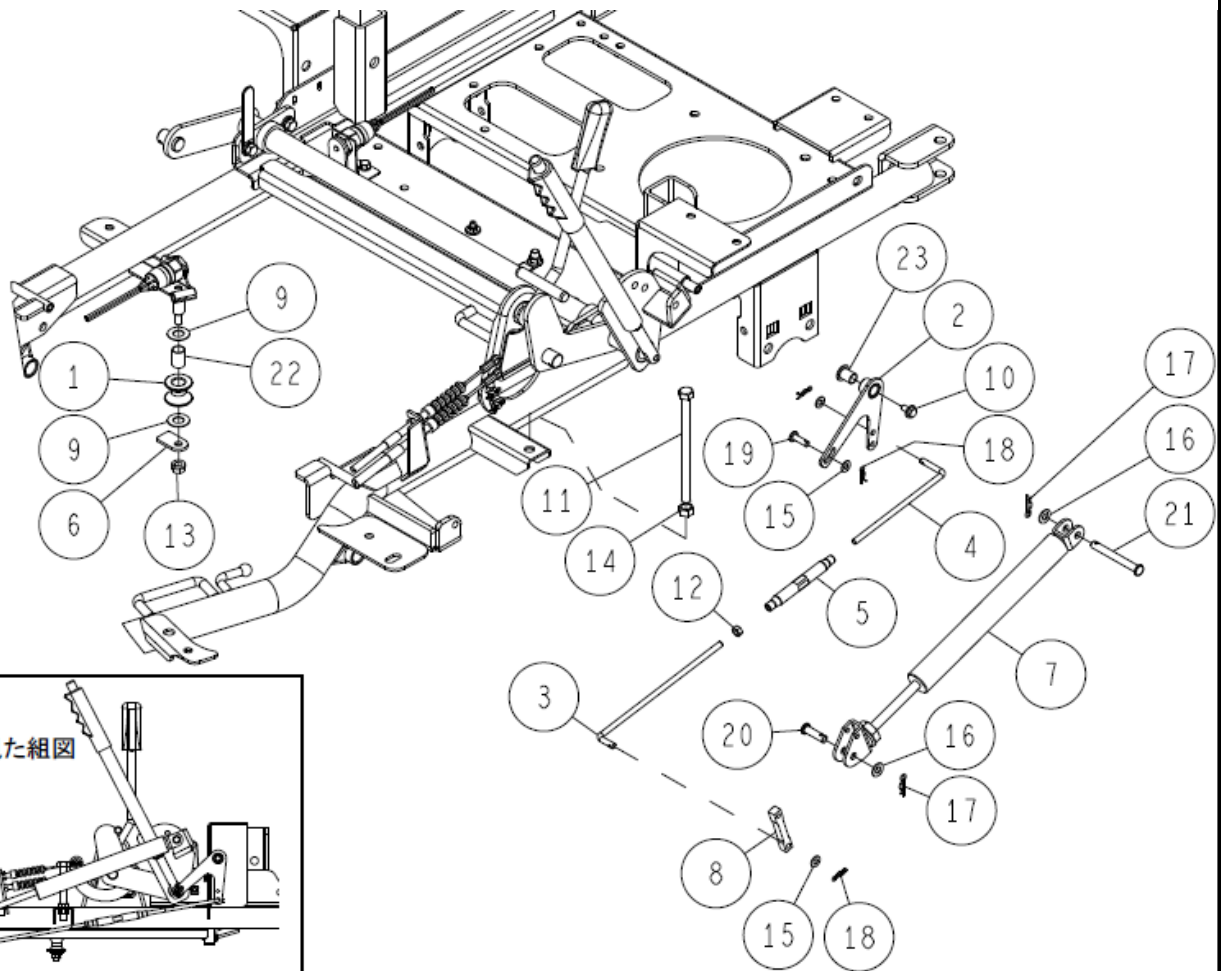
-	0227-42000	Knife Tension Pulley Set	1	1	4、6、13、15、16×2ヶ
-	0227-41000	Knife Tension Pulley (A) Set	1	1	5、7、13、15、16×2ヶ
17	89-3510-016250	DU Bush 16.25	2	2	
16	89-3115-062024	Bearing 6202 2RS	4	4	
15	89-2512-000350	Snap Ring (R35)	2	2	
14	89-2511-000160	Snap Ring (S16)	1	1	
13	89-2511-000150	Snap Ring (S15)	2	2	
12	89-1750-100002	Spring Washer 10	2	2	
11	89-1713-100002	Flat Washer 10 (Large)	2	2	
10	89-1613-100042	Mini Hexagonal Nut (3 sorts) M10	2	2	
9	83-1020-363-00	Thrust Washer 16*24*1.0	2	2	
8	0329-4120H	Knife Tention Arm CMP (Metallic Grey)	1	1	
7	0244-42800	Tension Idler Shaft	1	1	
6	0227-40400	Knife Tension Pulley Axle	1	1	
5	0227-40300	Knife Tension Pulley (A)	1	1	
4	0227-40200	Knife Tension Pulley	1	1	
3	0207-78400	Spring For Knife Tension Return	1	1	
2	80-1483-568-00	Knife Tension Return Spring	1	1	
1	80-1482-549-00	Rubber Cover 58	2	2	
No	Parts No	Parts Name	RMK151	RMK150A	Remaks
			Qty		



-	83-1032-760-00	Tension Pulley Assy	1	1	7, 13, 14
15	89-3510-016150	DU Bush 16.15	2	2	
14	89-3115-062034	Bearing 6203 2RS	1	1	
13	89-2512-000400	Snap Ring (R40)	1	1	
12	89-2511-000170	Snap Ring (S17)	1	1	
11	89-2511-000160	Snap Ring (S16)	1	1	
10	89-1611-100042	Mini Hexagonal Nut M10	1	1	
9	89-1233-080202	Mini Hexagonal Bolt (PWSW) M8*20	1	1	
8	89-1211-100252	Mini Hexagonal Bolt M10*25	1	1	
7	83-1032-765-00	Tension Pulley	1	1	
6	83-1020-363-00	Thrust Washer 16*24*1.0	2	2	
5	0322-4140H	Drive Tention Spring Arm (Metallic Grey)	1	1	
4	0322-4110H	Drive Tention Arm (Metallic Grey)	1	1	
3	0312-4140H	Belt Holder CMP (Metallic Grey)	1	1	
2	80-1485-551-00	Driving Tension Spring	1	1	
1	80-1482-549-00	Rubber Cover 58	1	1	
No	Parts No	Parts Name	RMK151	RMK150A	Remaks
			Qty		

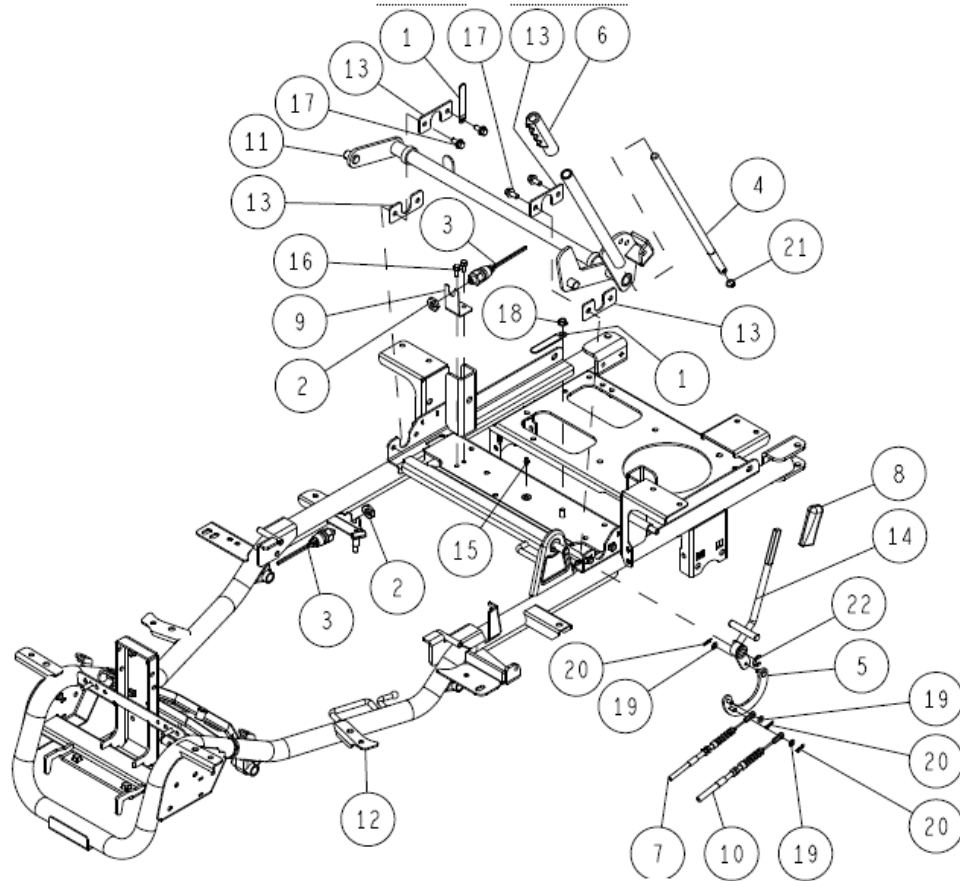


17	89-2521-000120	E Type Ring 12	7	7	
16	89-2131-160002	Snap Pin 16	2	2	
15	89-1750-120002	Spring Washer 12	2	2	
14	89-1711-120002	Flat Washer 12	2	2	
13	89-1551-120002	Hexagonal U Nut M12	2	2	
12	89-1232-080162	Mini Hexagonal Bolt (SW) M8*16	3	3	
11	83-1751-311-00	Flat Washer 8*25*2.3	3	3	
10	83-1415-975-00	Grease Nipple M6	8	8	
9	0349-5030H	Front link arm CMP (L) (Metallic Gray)	1	1	
8	0341-5020H	Front Link Arm (R) (Metallic Grey)	1	1	
7	0329-51200	Link Bolt	2	2	
6	0329-51100	Link Pin(RMK150)	1	1	
5	0329-5050H	Rear link arm (R) CMP(Metallic Grey)	1	1	
4	0329-5040H	Rear link arm (L) CMP (Metallic Grey)	1	1	
3	0244-1040H	Connecting Plate (Metallic Grey)	2	2	
2	0207-76800	Washer 16*32*2.3	2	2	
1	0207-76200	Spring (Up/Down)	3	3	
No	Parts No	Parts Name	RMK151	RMK150A	Remaks
			Qty		



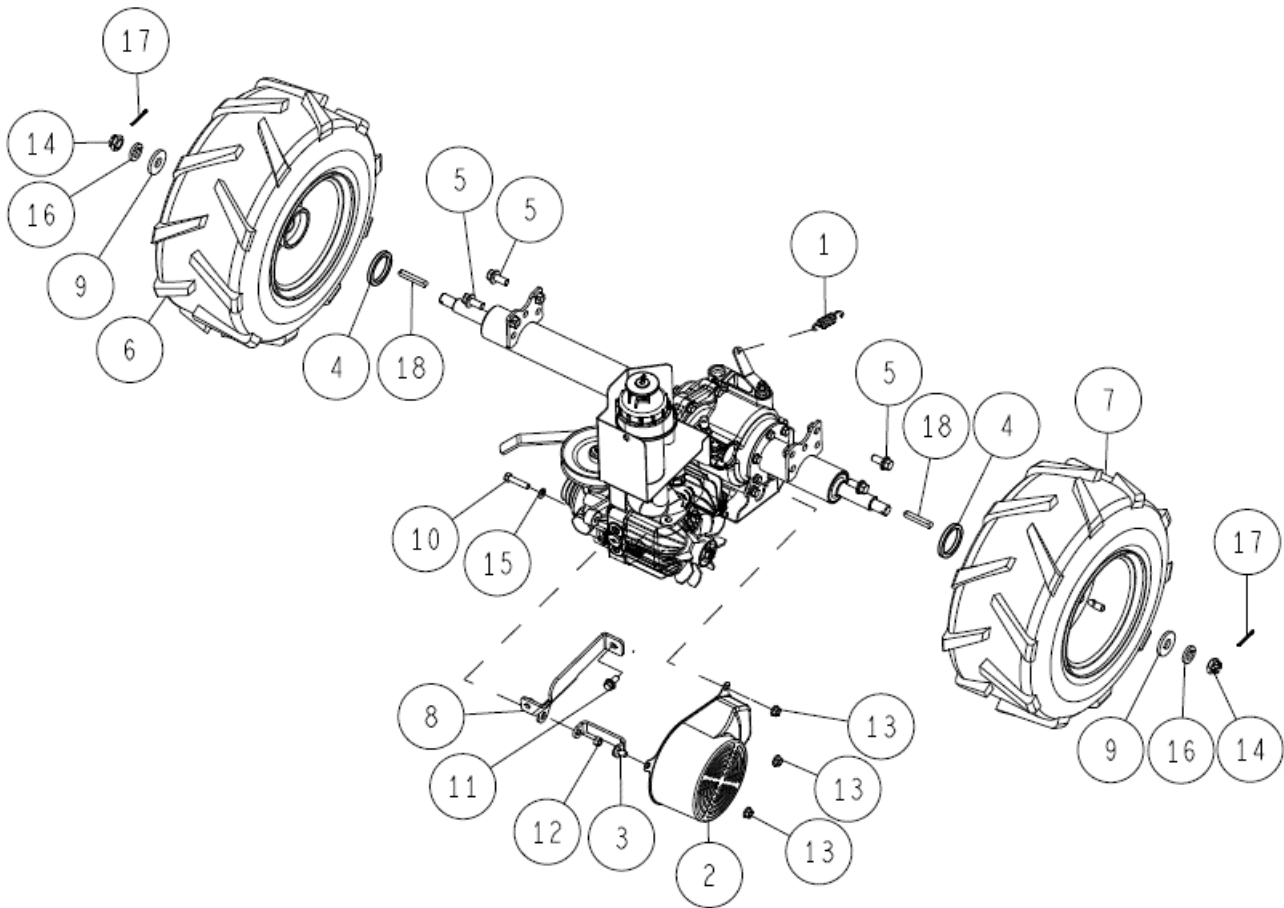
横から見た組図

23	89-3511-010150	DU Bush 10.15.18F	1	1	
22	89-3510-012200	DU Bush 12.20	1	1	
21	89-2181-080692	Flat Head Pin 8*69	1	1	
20	89-2181-080282	Flat Head Pin 8*28	1	1	
19	89-2181-060202	Flat Head Pin 6*20	1	1	
18	89-2132-060002	Snap Pin 6 (with stopper)	3	3	
17	89-2131-080002	Snap Pin 8	2	2	
16	89-1711-080002	Flat Washer 8	2	2	
15	89-1711-060002	Flat Washer 6	3	3	
14	89-1611-100042	Mini Hexagonal Nut M10	1	1	
13	89-1543-080002	Mini Hexagonal Nut (SW) M8	1	1	
12	89-1511-060042	Hexagonal Nut M6	1	1	
11	89-1213-101402	Mini Hexagonal Bolt (8T) M10*140	1	1	
10	89-1137-060122	Hexagonal Bolt (PW) M6*12	1	1	
9	83-1020-355-00	Thrust Washer 12*24*1.0	2	2	
8	0329-10500	Lock Pusher(RMK150)	1	1	
7	0303-71100	Gas Spring Free Lock Type (FLC75-75)	1	1	
6	0244-22600	Brake Rod Hanger Plate	1	1	
5	0244-11600	Turn Buckle (Pipe Type)	1	1	
4	0244-11500	Adjuster Rod (L)	1	1	
3	0244-11400	Adjuster Rod (R)	1	1	
2	0244-11300	Push Rod Receiver CMP	1	1	
1	80-1484-354-10	Brake Rod Roller	1	1	
No	Parts No	Parts Name	RMK151	RMK150A	Remarks
			Qty		

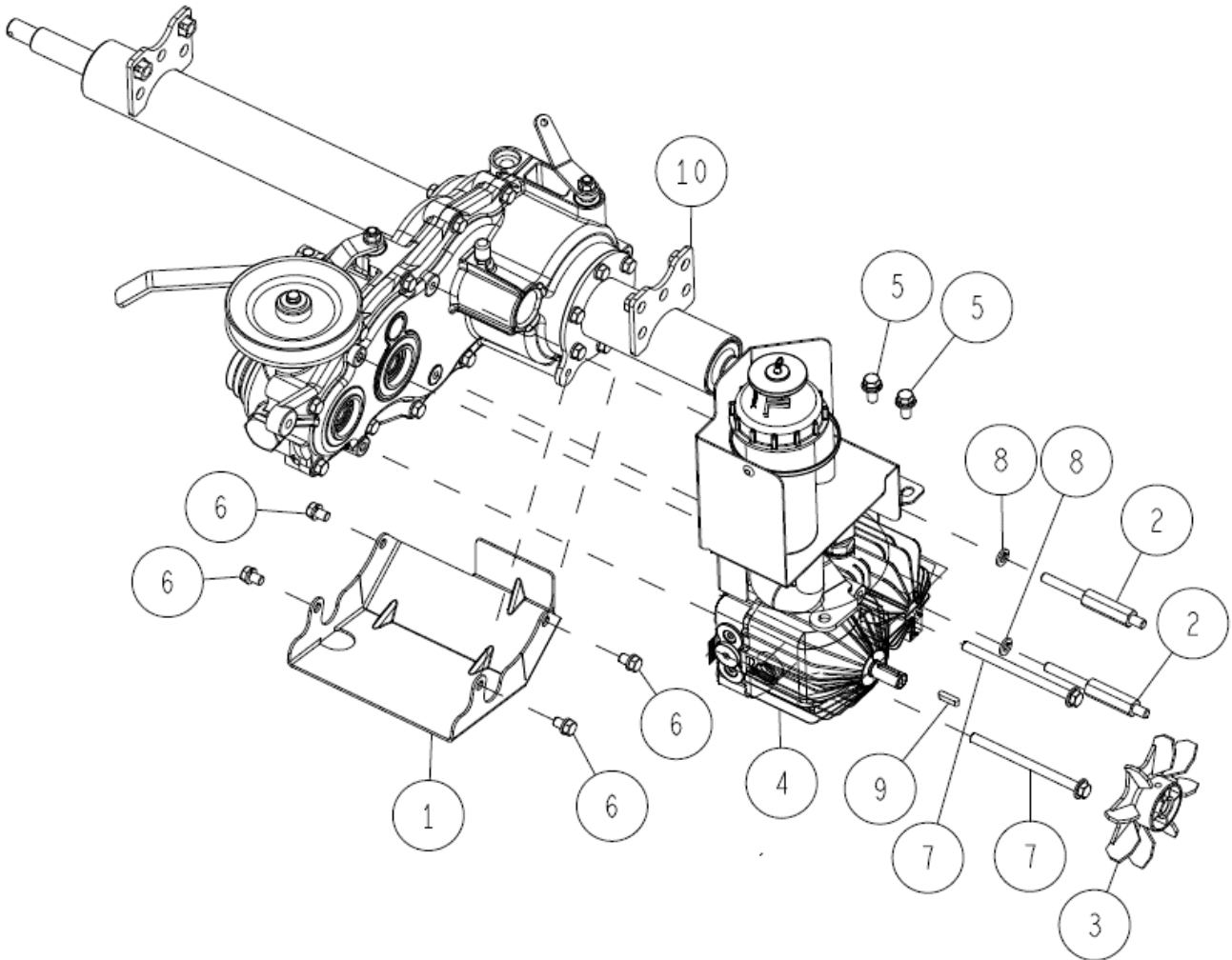


※~BYAJJ00174 Parts⑬ is not necessary

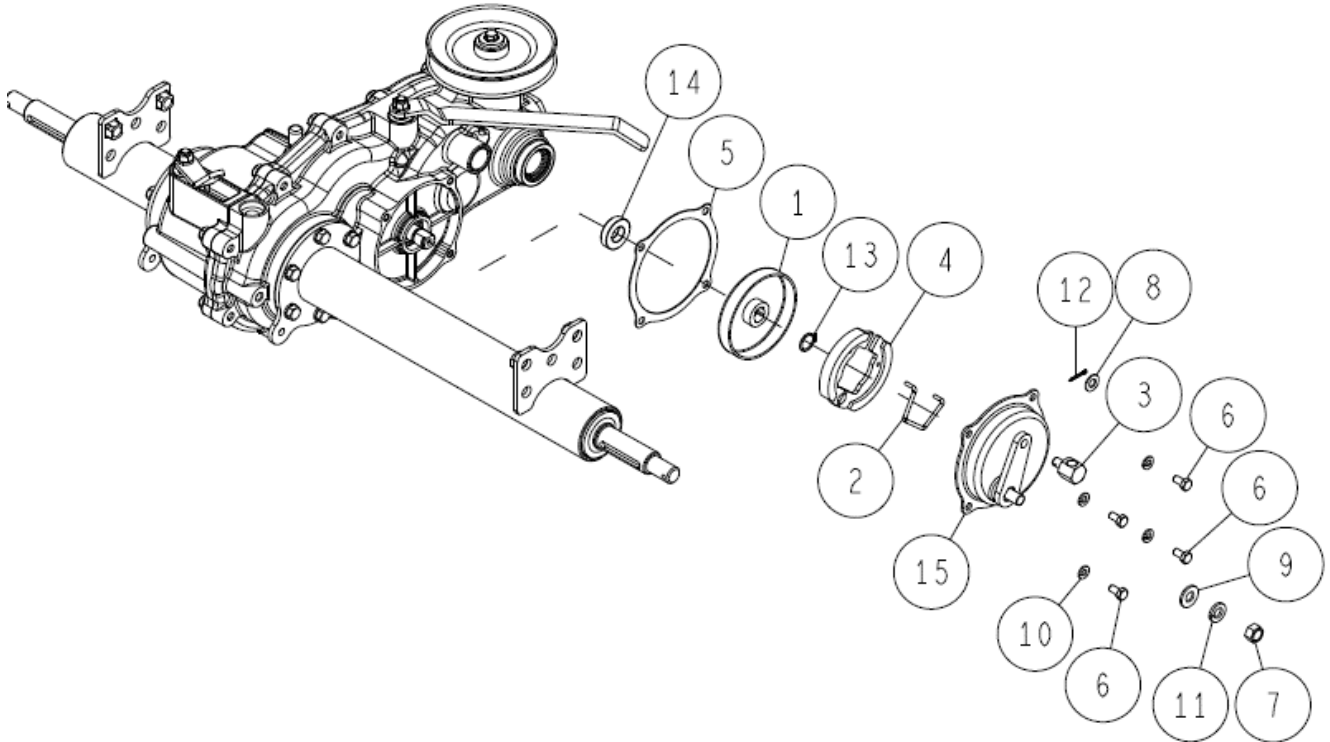
-	0244-11200	Push Rod	1	1	4、21
22	89-2521-000120	E Type Ring 12	1	1	
21	89-2511-000130	Snap Ring (S13)	1	1	
20	89-2132-060002	Snap Pin 6 (with stopper)	3	3	
19	89-1711-060002	Flat Washer 6	3	3	
18	89-1631-080042	Flange Mini Hexagonal Nut M8	1	1	
17	89-1233-080202	Mini Hexagonal Bolt (PWSW) M8*20	4	4	
16	89-1132-060162	Hexagonal Bolt (SW) M6*16	2	2	
15	83-1415-975-00	Grease Nipple M6	1	1	
14	0349-13400	Knife Clutch Lever CMP (Metallic Grey)	1		
	0329-13401	Knife clutch Lever CMP White		1	
13	0342-10100	Connecting Shaft Stay	4		BYAJM00175~※
12	0341-2010H	Frame CMP (Metallic Grey)	1	1	
11	0341-1051H	Connectiong Shaft (Metallic Grey)	1		BYAJM00175~
	0341-1050H	Connectiong Shaft (Metallic Grey)	1		~BYAJJ00174
	0322-13101	Vertical connection shaft CMP White		1	
10	0322-75110	Knife Clutch Wire	1	1	
9	0322-13300	Safety Switch Setting Plate	1	1	
8	0289-71300	Arm Grip (Red)	1	1	
7	0284-71110	Knife Brake Wire	1	1	
6	0244-70200	Adjusting Shaft Grip	1	1	
5	0244-13700	Wire Joint CMP	1	1	
4	0244-10600	Push Rod	1	1	
3	0207-74400	Safety Switch K17850	2	2	
2	0207-72800	Switch Lock Nut	2	2	
1	80-1792-988-00	Harness Clip 8	2	2	
No	Parts No	Parts Name	RMK151	RMK150A	Remaks
			Qty		



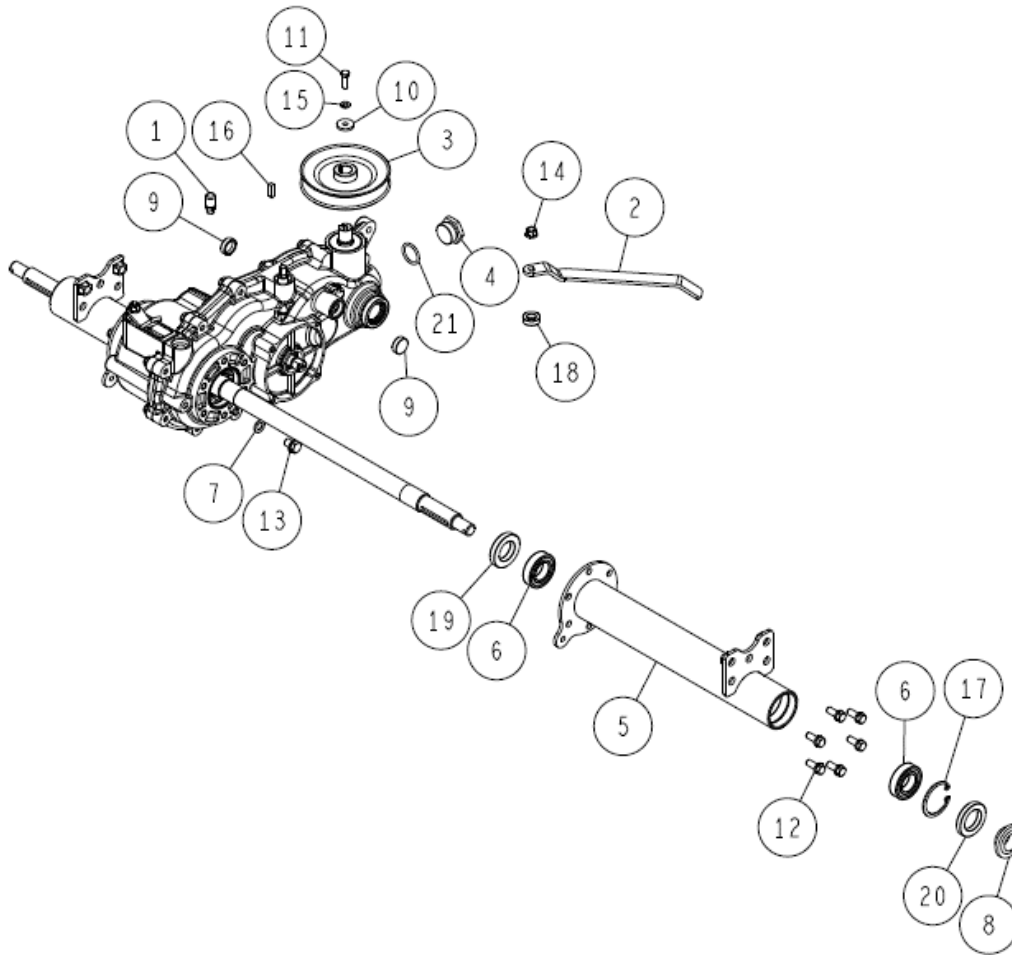
-	0329-09010	Mission ASSY & HST ASSY	1		
	0329-09010	Mission ASSY & HST ASSY		1	BWAGA00001~/詳細 P16
	0329-09000	Transmission Assy (with HST) (RMK150)		1	~46AFL00005/詳細 P16
18	89-2150-070500	Key 7*50 (round)	2	2	
17	89-2120-350352	Split Pin 3.5*35	2	2	
16	89-1750-160002	Spring Washer 16	2	2	
15	89-1750-080002	Spring Washer 8	1	1	
14	89-1658-160042	Low Castle Nut (2 sorts) M16	2	2	
13	89-1631-080042	Flange Mini Hexagonal Nut M8	3	3	
12	89-1561-080002	Mini Hexagonal U Nut M8	1	1	
11	89-1233-080202	Mini Hexagonal Bolt (PWSW) M8*20	1	1	
10	89-1211-080352	Mini Hexagonal Bolt M8*35	1	1	
9	83-1630-335-00	Washer 16*40*4.5	2	2	
8	0322-0150H	Transmission Hunger Stay CMP (Metallic Grey)	1		
	0322-0150H	Transmission Hunger Stay CMP (Metallic Grey)		1	BWAGA00001~
	0329-0150H	Mission hanging stay CMP (Metallic Grey)		1	~46AFL00005
7	0272-34000	Rear Tire (R) ASSY (16 × 7.00-8) (Include Wheel Boss)	1	1	詳細 P32
6	0272-33000	Rear Tire (L) ASSY (16 × 7.00-8) (Include Wheel Boss)	1	1	詳細 P32
5	0244-83200	Mini Hexagonal Bolt (PWSW) M10*25 (7T Lock)	4	4	
4	0207-77800	Wheel Boss Dust Seal	2	2	
3	0207-0740H	Fan Cover Stay CMP (Metallic Grey)	1	1	
2	0207-0720H	Fan Cover (Metallic Grey)	1	1	
1	80-1425-551-00	Differential Lock Spring	1	1	
No	Parts No	Parts Name	RMK151	RMK150A	Remaks
			Qty		



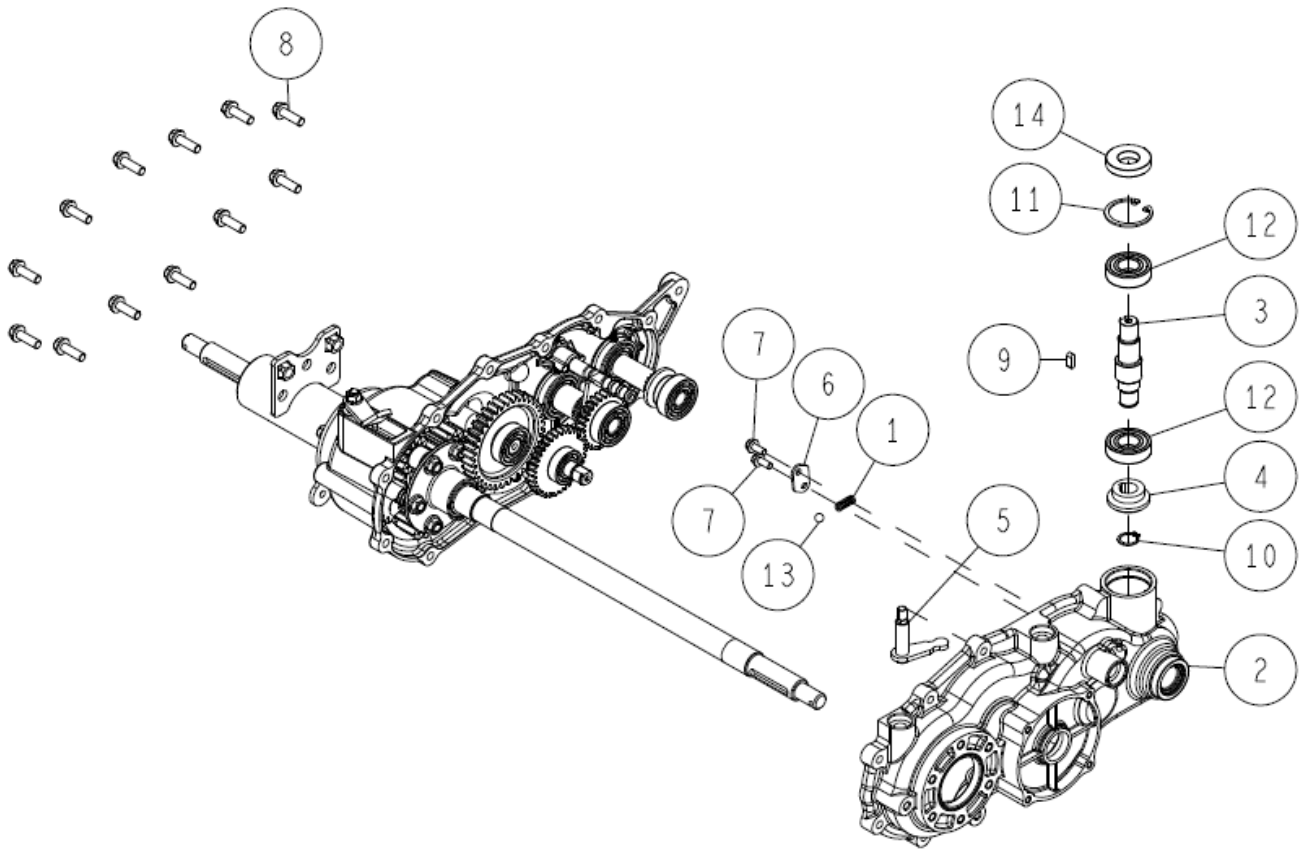
10	0323-09100	Mission ASSY	1		
	0323-09100	Mission ASSY		1	BWAGA00001~/詳細 P17~
	0329-09100	Transmission Assy (without HST) (RMK150)		1	~46AFL00005/詳細 P17~
9	89-2150-050200	Key 5*20 (round)	1	1	
8	89-1750-080002	Spring Washer 8	2	2	
7	89-1251-081123	Flange Mini Hexagonal Bolt M8*112	2	2	
6	89-1235-080122	Mini Hexagonal Bolt (SW) M8*12	4	4	
5	89-1233-080202	Mini Hexagonal Bolt (PWSW) M8*20	2	2	
4	0322-09200	HST Unit (KYB)Assy (RMK150)	1	1	詳細 P23
3	0207-07500	Fan	1	1	
2	0207-07300	Double Screw Bolt	2	2	
1	0207-0310H	Transmission Guard (Metallic Grey)	1	1	
No	Parts No	Parts Name	RMK151	RMK150A	Remaks
			Qty		



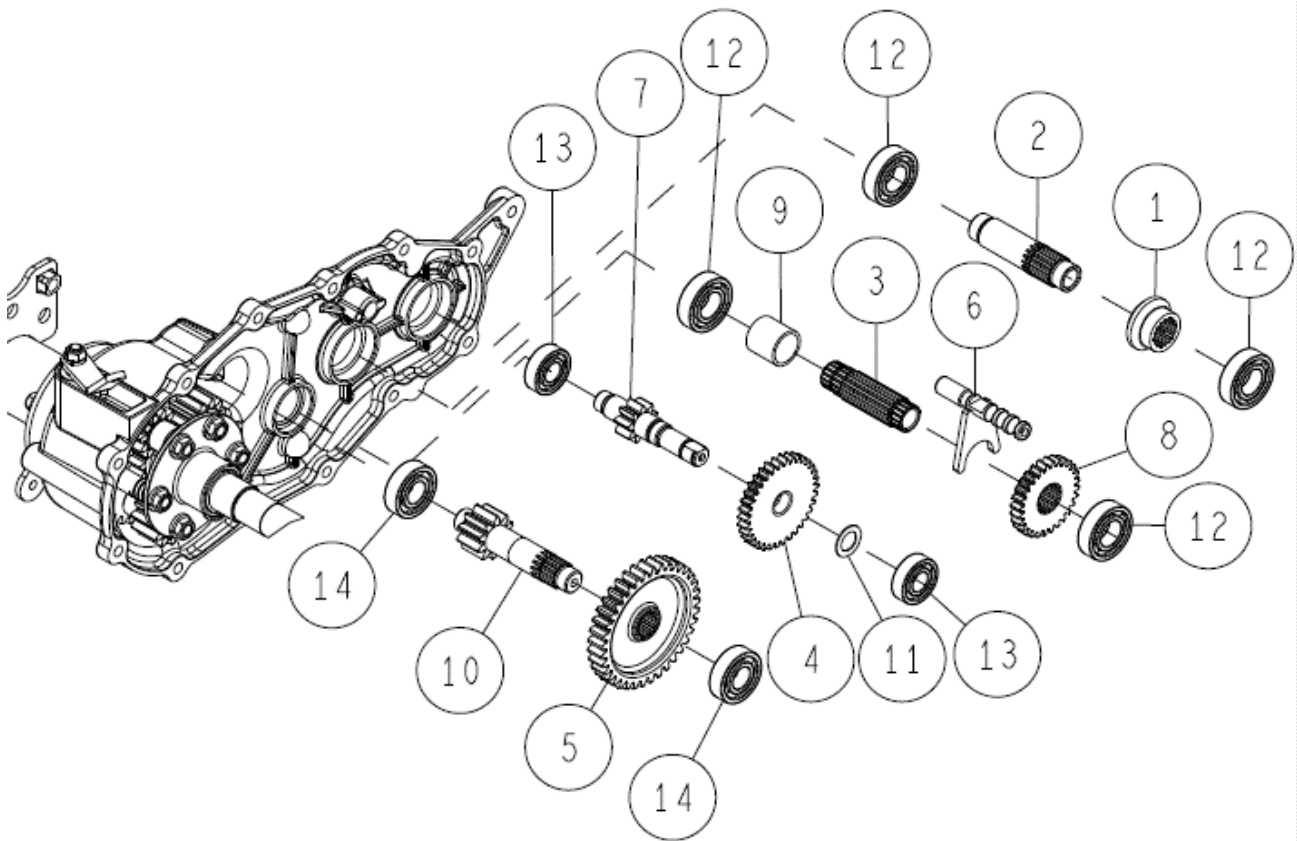
-	0207-73000	Brake Assy(with packing)	1	1	1、2、4、5、7、9、11、15
-	0207-73100	Brake Assy(without packing)	1	1	1、2、4、7、9、11、15
-	0207-73200	Brake Cap Assy	1	1	2、4、7、9、11、15
15	-	Brake & Brake Arm	1	1	※ASSY部品供給時のみ供給
14	89-5125-153007	Oil Seal UE 15.30.07F	1	1	
13	89-2511-000150	Snap Ring (S15)	1	1	
12	89-2120-200152	Split Pin 2*15	1	1	
11	89-1750-100002	Spring Washer 10	1	1	
10	89-1750-060002	Spring Washer 6	4	4	
9	89-1712-100000	Flat Washer 10	1	1	
8	89-1711-080002	Flat Washer 8	1	1	
7	89-1611-100042	Mini Hexagonal Nut M10	1	1	
6	89-1113-060122	Hexagonal Bolt (8T) M6*12	4	4	
5	0308-00300	Brake Cover PK (PA-7)	1	1	
4	0244-88100	Brake Shoe Set (PA-7)	1	1	
3	0207-10300	Brake Joint	1	1	
2	80-1030-285-00	Spring for Brake Shoe Return	1	1	
1	80-1030-282-00	Brake Drum (PA-7)	1	1	
No	Parts No	Parts Name	RMK151	RMK150A	Remaks
			Qty		



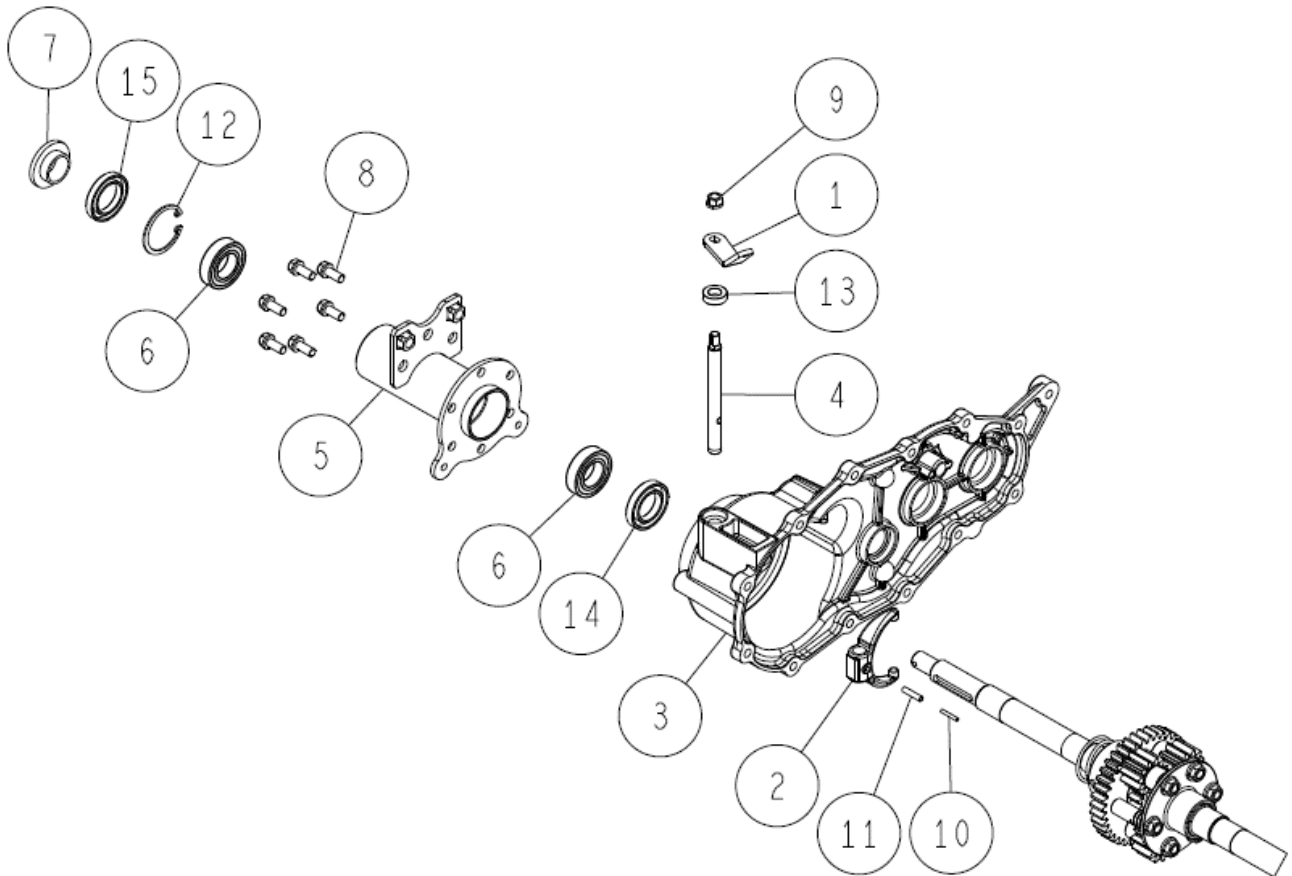
-	0289-01000	Oil Plug Assy (with O Ring)	1	1	4, 21
-	0244-08000	Oil Seal 25.47.15(with DP)	1	1	8, 20
21	89-5221-024000	O Ring P24	1	1	
20	89-5121-304707	Oil Seal UE 30.47.7	1	1	
19	89-5121-284708	Oil Seal UE 28.47.8	1	1	
18	89-5121-122207	Oil Seal UE 12.22.7	1	1	
17	89-2512-000470	Snap Ring (R47)	1	1	
16	89-2151-050200	Key 5*20 (half round)	1	1	
15	89-1750-060002	Spring Washer 6	1	1	
14	89-1543-080002	Mini Hexagonal Nut (SW) M8	1	1	
13	89-1252-100122	Flange Mini Hexagonal Bolt M10*12 (slender)	1	1	
12	89-1232-080202	Mini Hexagonal Bolt (SW) M8*20	6	6	
11	89-1113-060202	Hexagonal Bolt (8T) M6*20	1	1	
10	83-1482-311-00	Washer 6.5*22*3.2	1	1	
9	83-1415-671-00	Blind Cover 22	2	2	
8	83-1415-663-00	Oil Seal DP 25.30.15	1	1	
7	83-1020-349-00	Copper Packing 10.5*18*1.6	1	1	
6	0342-77800	Bearing 6005 2NSE-NB	2	2	
5	0244-0110H	Axle Case (L) CMP (Metallic Grey)	1		
	0244-0110H	Axle Case (L) CMP (Metallic Grey)		1	BWAGA00001~
	0281-0010H	Axle case left CMP (Metallic Gray)		1	~46AFL00005
4	0289-01100	Oil Plug Assy (without O Ring)	1	1	
3	0284-4020H	Transmission Pulley(HI) (Metallic Grey)	1	1	
2	0215-0010H	Drive Clutch Arm (Metallic Grey)	1	1	
1	0207-06100	Air Breather	1	1	
No	Parts No	Parts Name	RMK151	RMK150A	Remaks
			Qty		



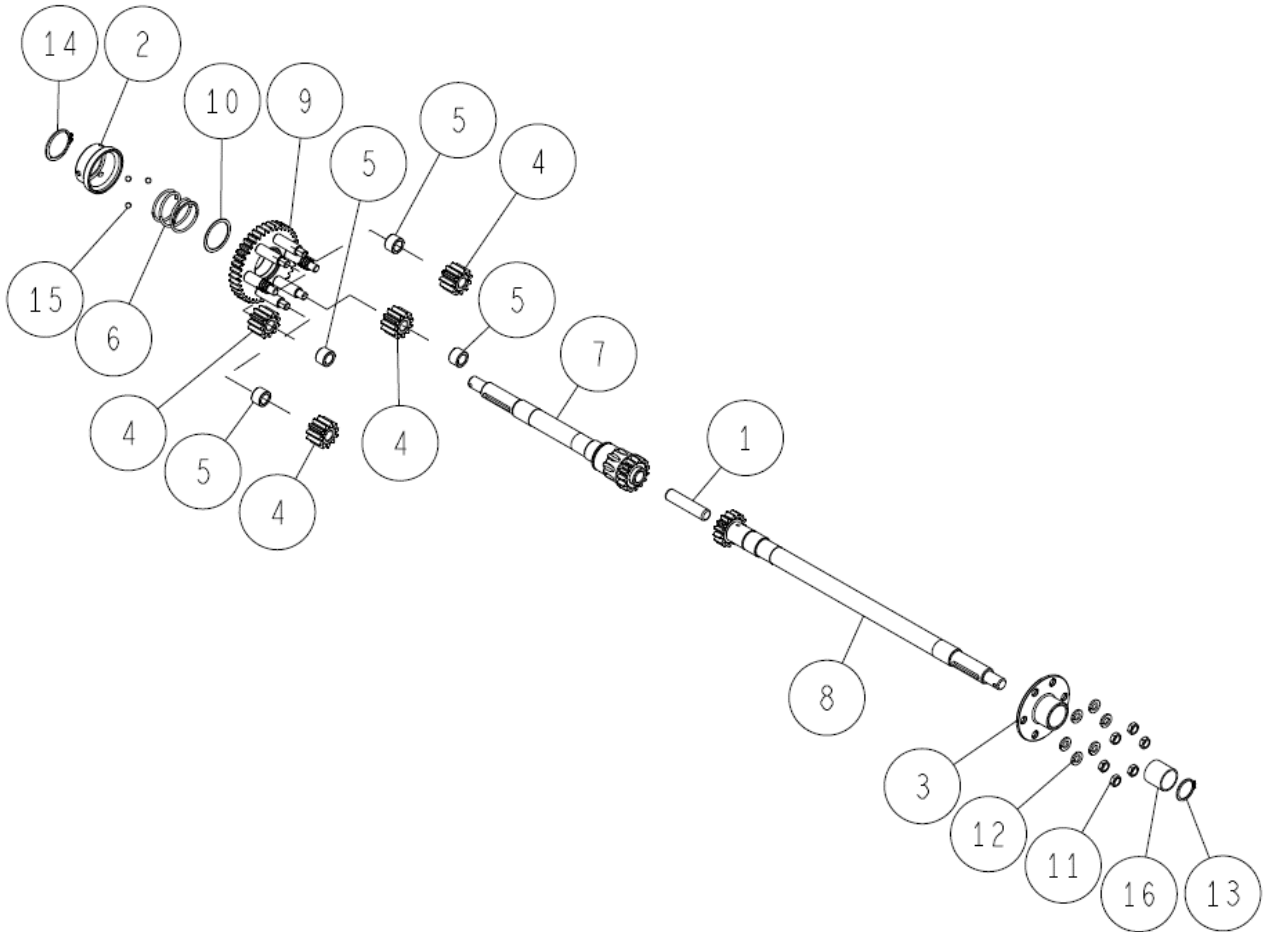
14	89-5121-204208	Oil Seal UE 20.42.8	1	1	
13	89-3410-080000	Steel Ball 8.0	1	1	
12	89-3115-060044	Bearing 6004 2RS	2	2	
11	89-2512-000420	Snap Ring (R42)	1	1	
10	89-2511-000170	Snap Ring (S17)	1	1	
9	89-2150-050160	Key 5*16 (round)	1	1	
8	83-1482-143-00	Tapping Bolt M8*25	12	12	
7	83-1020-148-00	Tapping Bolt M6*14	2	2	
6	0207-01900	Shift Spring Holder	1	1	
5	0207-01700	Swing Arm CMP	1	1	
4	0207-00400	20T Spiral Miter Gear(L)	1	1	
3	0207-00300	A Axle	1		
	0207-00300	A Axle		1	BWAGA00001~
	0281-00300	A Axle		1	~46AFL00005
2	0207-00100	Transmission Case(L)	1	1	
1	80-1310-138-00	Spring 1.4	1	1	
No	Parts No	Parts Name	RMK151	RMK150A	Remaks
			Qty		



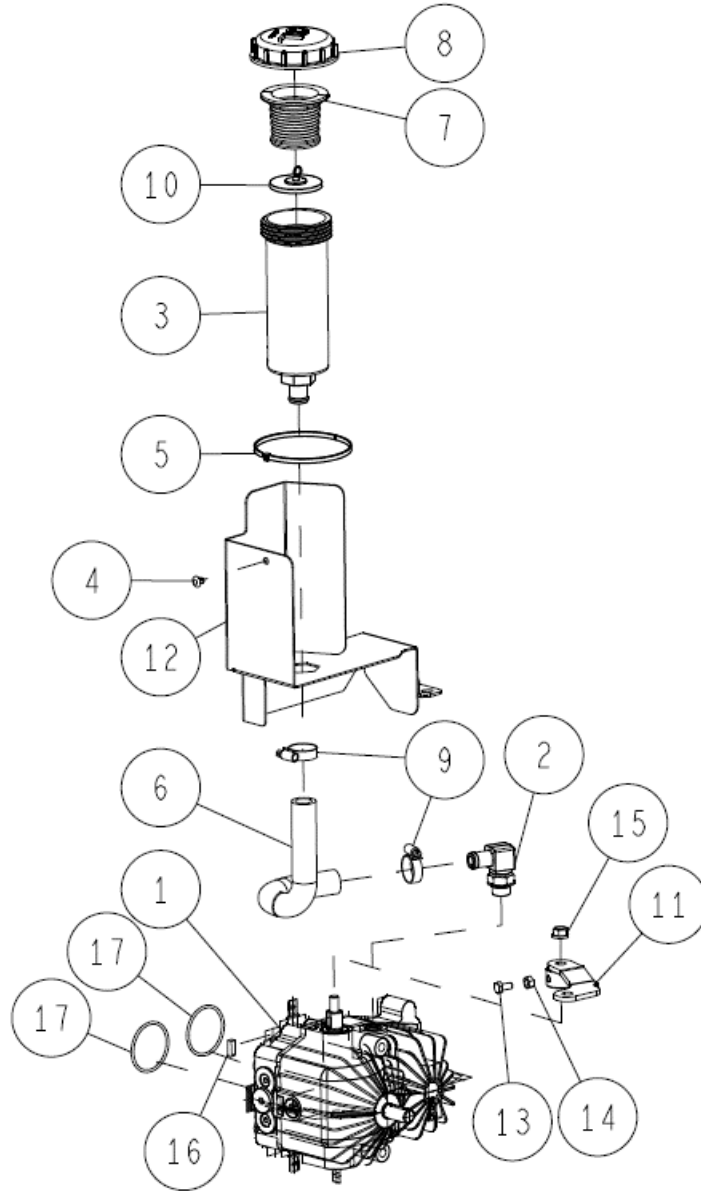
14	89-3111-062034	Bearing 6203	2	2	
13	89-3111-062024	Bearing 6202	2	2	
12	89-3111-060044	Bearing 6004	4	4	
11	83-1020-361-00	Thrust Washer 15*24*1.0	1	1	
10	0244-00400	D Axle	1	1	
9	0215-00500	C Axle Collar 26	1	1	
8	0215-00400	Shift Gear 28	1	1	
7	0215-00300	Brake Shaft	1	1	
6	0207-01600	Shift Fork Shaft CMP	1	1	
5	0207-01400	D Axle 37T Gear	1	1	
4	0207-01310	Brake Shaft 34T Gear	1	1	
3	0207-00700	C Axle	1	1	
2	0207-00600	B Axle	1	1	
1	0207-00500	20T Spiral Miter Gear(R)	1	1	
No	Parts No	Parts Name	RMK151	RMK150A	Remaks
			Qty		



-	0244-08000	Oil Seal 25.47.15(with DP)	1	1	7、15
15	89-5121-304707	Oil Seal UE 30.47.7	1	1	
14	89-5121-284708	Oil Seal UE 28.47.8	1	1	
13	89-5121-122207	Oil Seal UE 12.22.7	1	1	
12	89-2512-000470	Snap Ring (R47)	1	1	
11	89-2111-050022	Spring Pin 5*22	1	1	
10	89-2111-030020	Spring Pin 3*20	1	1	
9	89-1543-080002	Mini Hexagonal Nut (SW) M8	1	1	
8	89-1232-080202	Mini Hexagonal Bolt (SW) M8*20	6	6	
7	83-1415-663-00	Oil Seal DP 25.30.15	1	1	
6	0342-77800	Bearing 6005 2NSE-NB	2	2	
5	0244-0120H	Axle Case (R) CMP (Metallic Grey)	1		
	0244-0120H	Axle Case (R) CMP (Metallic Grey)		1	BWAGA00001~
	0281-0020H	Axle case right CMP (Metallic Gray)		1	~46AFL00005
4	0207-01800	Differential Lock Fork Shaft	1	1	
3	0207-00200	Transmission Case(R)	1	1	
2	80-1830-113-00	Differential Lock Fork	1	1	
1	80-1488-153-00	Differential Lock Arm	1	1	
No	Parts No	Parts Name	RMK151	RMK150A	Remaks
			Qty		

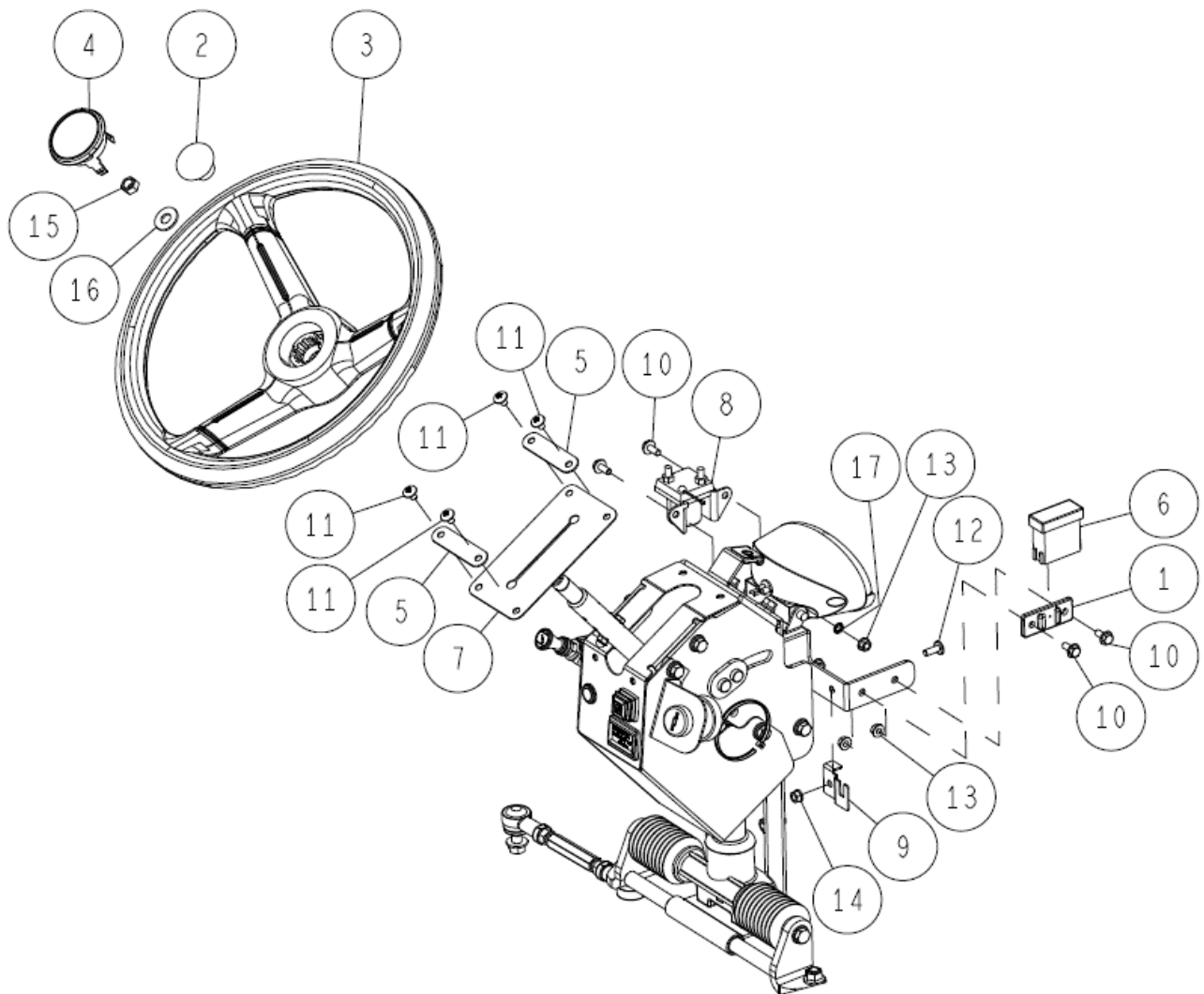


16	89-3510-028300	DU Bush 28.30	1	1	
15	89-3410-075000	Steel Ball 7.5	3	3	
14	89-2511-000400	Snap Ring (S40)	1	1	
13	89-2511-000280	Snap Ring (S28)	1	1	
12	89-1750-100002	Spring Washer 10	6	6	
11	89-1613-100042	Mini Hexagonal Nut (3 sorts) M10	6	6	
10	83-1830-382-00	Thrust Washer 40*48*1.0	1	1	
9	0244-00300	Axle Gear 39T CMP	1	1	
8	0207-02120	Axle(L) CMP	1	1	
7	0207-02220	Axle(R) CMP	1	1	
6	80-1751-162-00	Differential Lock Spring	1	1	
5	80-1481-155-00	Differential Gear Shaft Collar	4	4	
4	80-1481-152-00	Differential Lock Gear 11T	4	4	
3	80-1481-151-00	Differential Lock Plate	1	1	
2	80-1425-143-00	Differential Lock Cone	1	1	
1	80-1415-150-00	Axle Pin	1	1	
No	Parts No	Parts Name	RMK151	RMK150A	Remaks
			Qty		

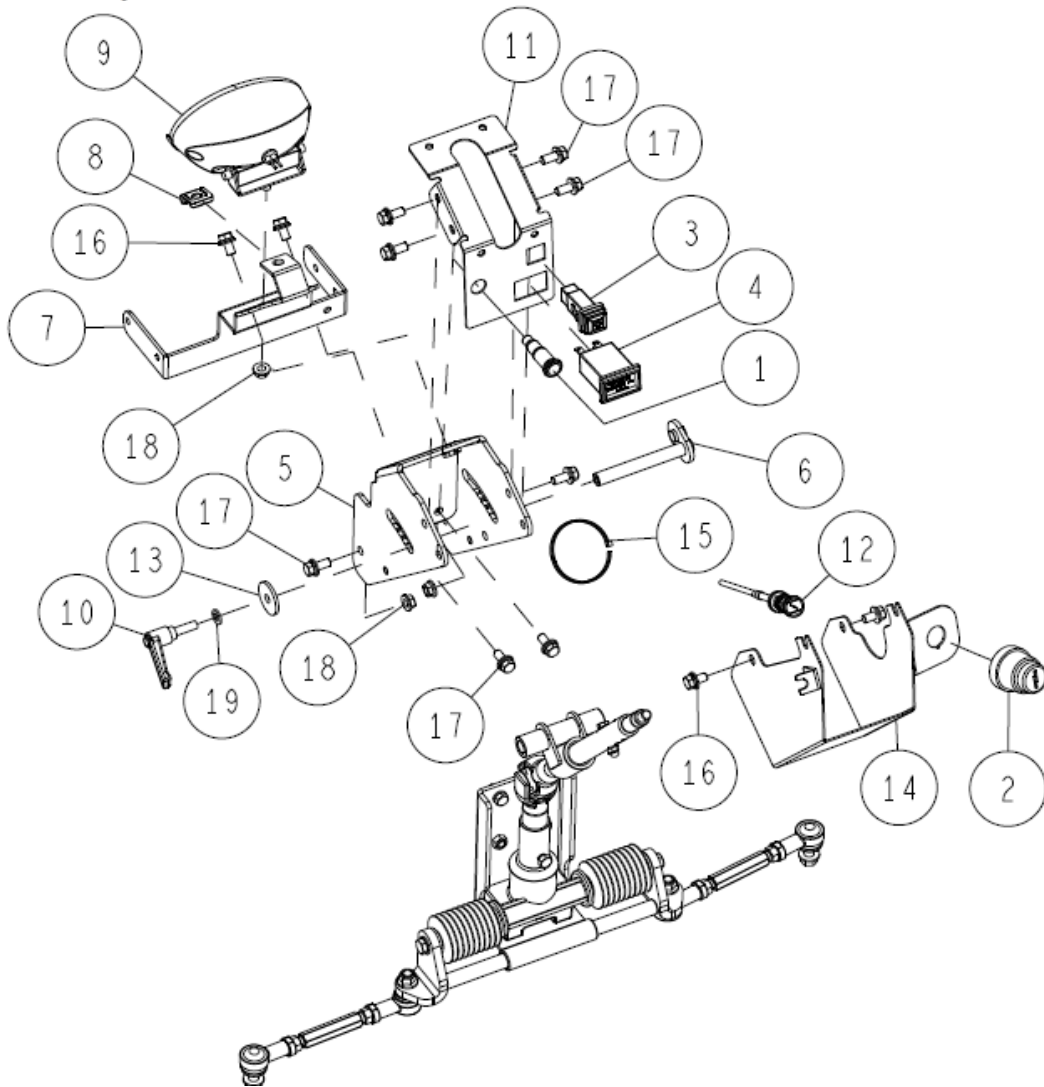


-	0322-01600	HST Oil Tank Assy (Black Cap)	1	1	3、7、8
17	89-5222-045000	O Ring G45	2	2	
16	89-2151-050160	Key 5*16 (half round)	1	1	
15	89-1543-080002	Mini Hexagonal Nut (SW) M8	1	1	
14	89-1511-060042	Hexagonal Nut M6	1	1	
13	89-1113-060122	Hexagonal Bolt (8T) M6*12	1	1	
12	0348-00201	HST Oil Tank Stay CMP (White)	1	1	
11	0348-0010H	Control Arm CMP (Metallic Grey)	1	1	
10	0322-71600	Moisture Adsorption Sheet	1	1	
9	0312-74400	Hose Band 16-25	2	2	
8	0312-01800	HST Oil Tank Cap (Black)	1	1	
7	0289-71200	Waterproof Packing	1	1	
6	0244-72700	HST Oil Hose	1	1	
5	0227-74200	Wire Band 300	1	1	
4	0207-79800	Push Clip	1	1	
3	0207-08610	HST Oil Tank (without Tank Cap)	1	1	
2	0207-07700	Port Joint	1	1	
1	-	HST Unit	1	1	※供給はHSTユニットASSYのみ 参照P16
No	Parts No	Parts Name	RMK151	RMK150A	Remarks
			Qty		

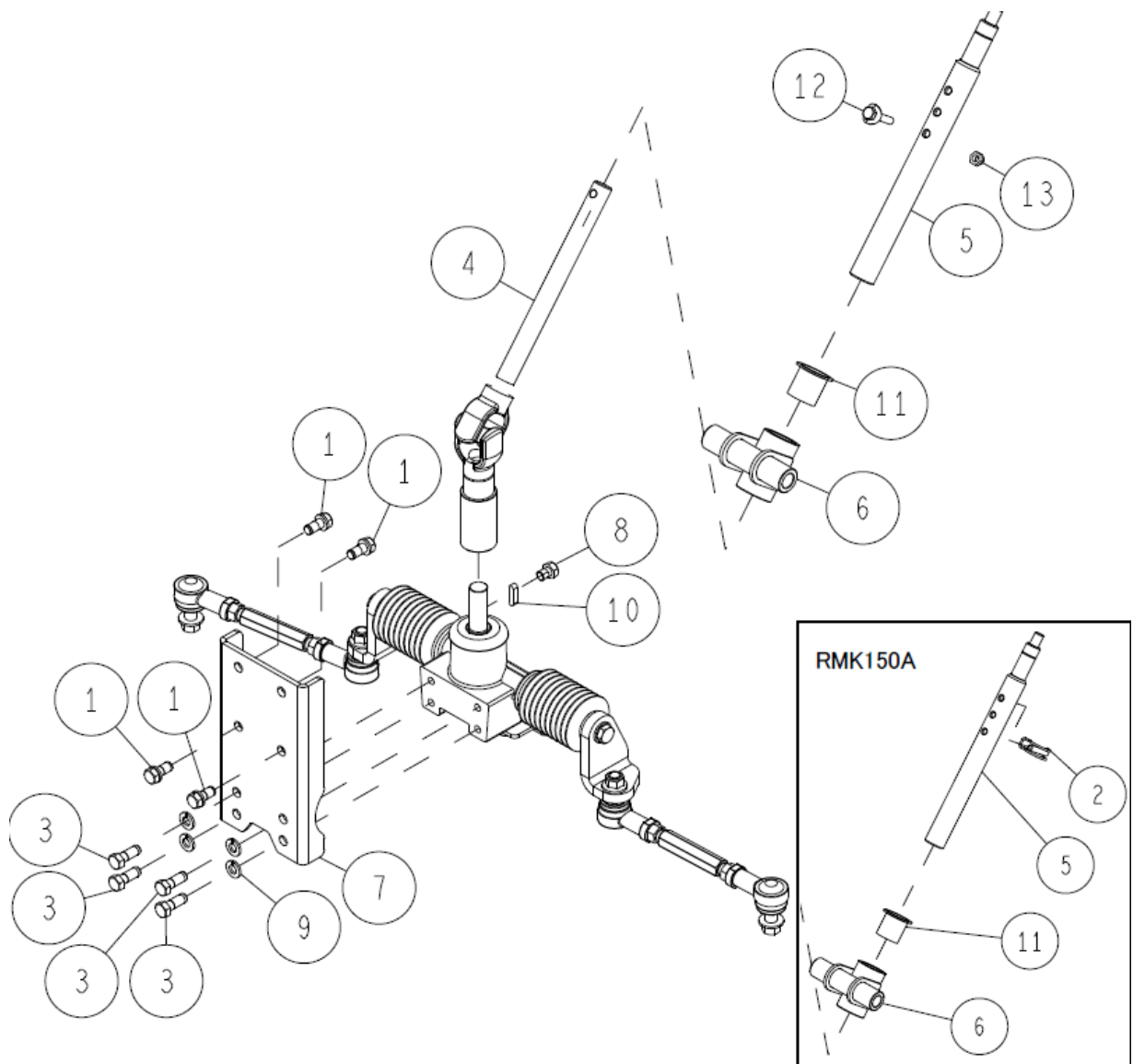
Handle 1/4



-	0262-70100	Steering Wheel Assy	1	1	2、3、4
17	89-1812-060002	Toothed washer (inside) 6	1	1	
16	89-1713-100002	Flat Washer 10 (Large)	1	1	
15	89-1561-100002	Mini Hexagonal U Nut M10	1	1	
14	89-1541-060002	Hexagonal Nut (SW) M6	1	1	
13	89-1531-060042	Flange Nut M6	5	5	
12	89-1390-060162	Welded Bolt M6*16	1	1	
11	89-1159-060108	Truss Mini Screw M6*10	4	4	
10	89-1137-060152	Hexagonal Bolt (PW) M6*15	5	5	
9	0348-14700	Fuse Box Bracket	1	1	
8	0322-73000	Magnet Switch Set	1	1	
7	0322-11500	Meter Panel Cover	1	1	白色ゴム
6	0312-77900	Fuse Box Cover	1	1	※蓋のみ
5	0312-11701	Handle Stay Cover Holder (White)	2	2	
4	0262-70500	Steering Cap	1	1	
3	0262-70400	Steering Wheel	1	1	
2	0262-70300	Sub Handle Assy	1	1	
1	0207-79200	Fuse Box Bracket	1	1	
No	Parts No	Parts Name	RMK151	RMK150A	Remarks
			Qty		

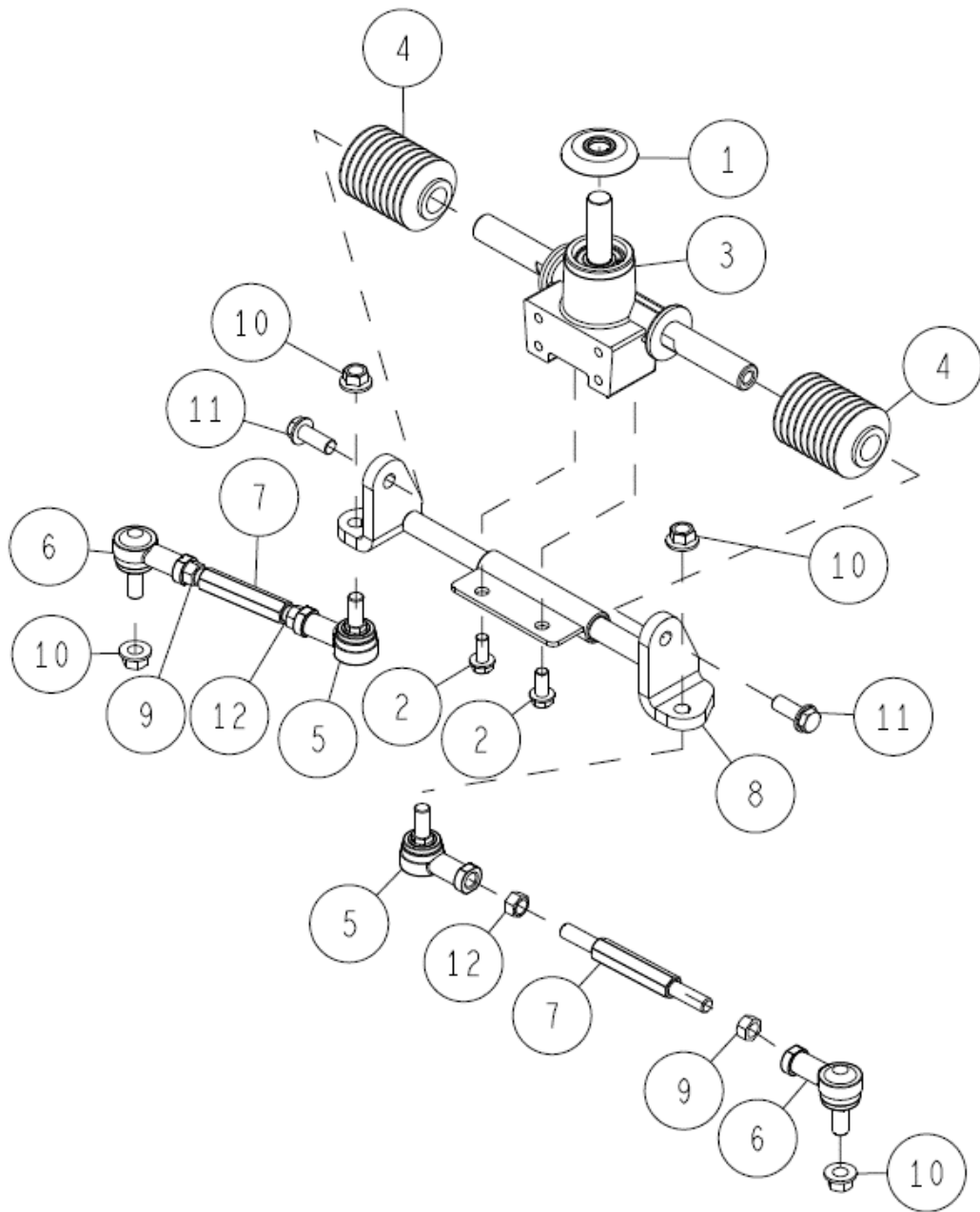


19	89-1750-080002	Spring Washer 8	1	1	
18	89-1631-080042	Flange Mini Hexagonal Nut M8	3	3	
17	89-1233-080202	Mini Hexagonal Bolt (PWSW) M8*20	8	8	
16	89-1233-080162	Mini Hexagonal Bolt (PWSW) M8*16	4	4	
15	83-1751-312-00	Washer 8*25*3.2	1	1	
14	83-1711-719-00	Wire Band 200L	1	1	
13	0348-14201	Harness Panel CMP (White)	1	1	
12	0341-71100	Choke Wire	1	1	
11	0341-1410G	Meter Panel CMP (Green)	1		OR
	0341-1410H	Meter Panel CMP(Metallic Grey)	1		IA
	0341-14101	Meter Panel CMP (White)		1	
10	0322-71400	Cramp Lever 8*25	1	1	
9	0322-71300	Head Lamp	1	1	
8	0322-71100	Clip ϕ 6	1	1	
7	0322-11701	Head Lamp Stay (White)	1	1	
6	0322-11100	Tilt Pin CMP	1	1	
5	0322-10511	Handle Stay CMP (White)	1	1	
4	0244-73600	Hour Meter	1	1	
3	0244-70300	Lighting Switch	1	1	
2	0207-79700	Key Switch (NMA03-A020)	1	1	
1	0207-79300	Pilot Lamp	1	1	
No	Parts No	Parts Name	RMK151	RMK150A	Remaks
			Qty		



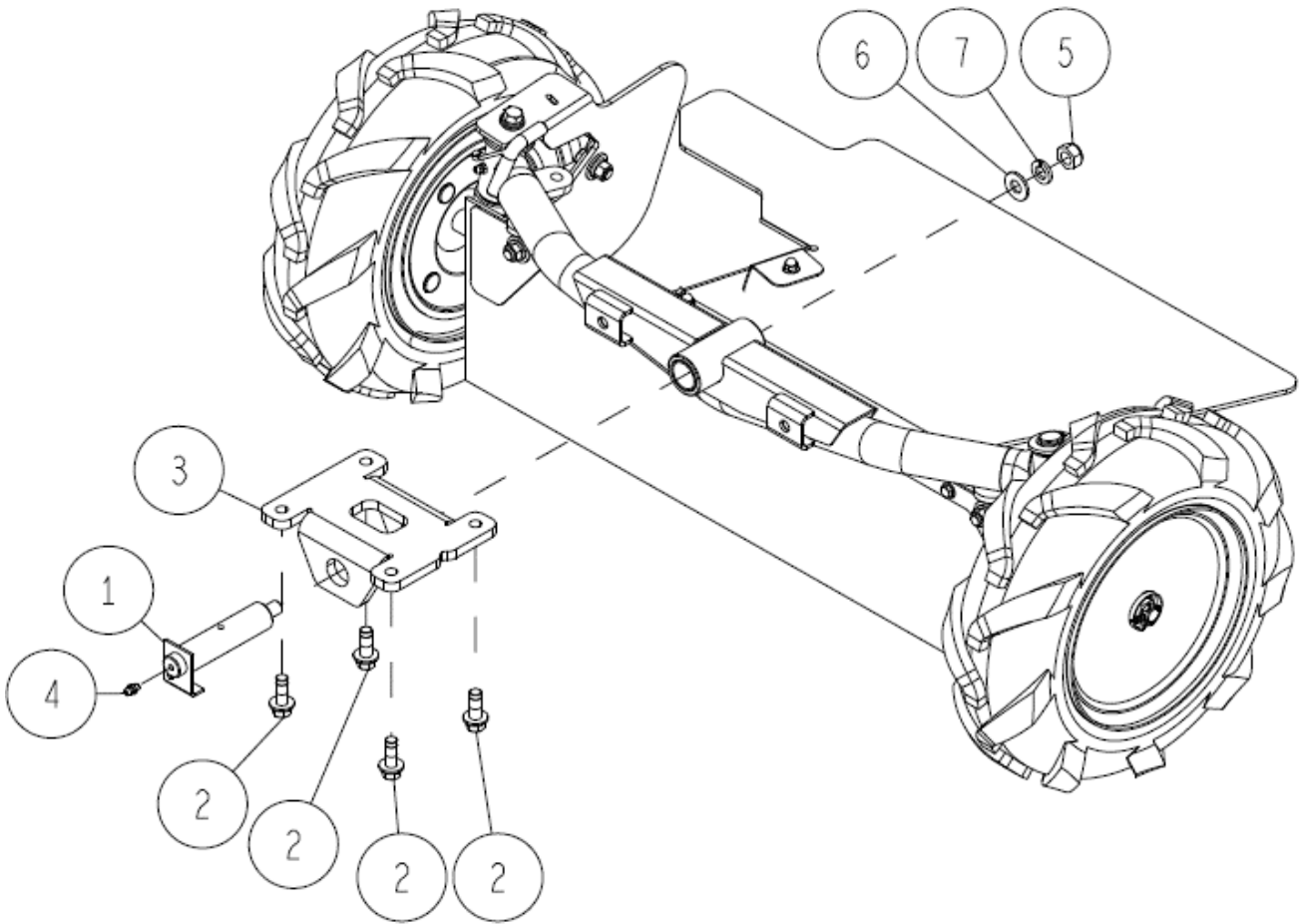
RMK150A

-	0342-77600	Upper Shaft Fixing Set (Bolt and Unut)	1	(1)	7, 8
13	89-1553-060002	Bag Hexagonal U Nut M6	1	(1)	
12	0244-75800	Bolt for Upper Shaft Setting	1	(1)	
11	89-3511-022250	DU Bush 22.25.33F	1	1	
10	89-2150-050200	Key 5*20 (round)	1	1	
9	89-1750-080002	Spring Washer 8	4	4	
8	0322-11610	Mini Hexagonal Bolt (7T) M8*10 (Meck)	1	1	
7	0322-1080H	Steering Gear Box Bracket CMP (Metallic Grey)	1	1	
6	0322-10701	Handle Support CMP (White)	1	1	
5	0322-10210	Steering Upper Shaft CMP	1	1	
4	0322-10110	Steering Joint Shaft CMP	1	1	
3	0314-70100	Mini Hexagonal Bolt (Meck) M8*22	4	4	
2	0312-74000	Handle Height Pipe Pin Assy		1	※供給停止
1	0245-74310	Hexagonal Bolt(SW) M8*18 (Meck)	4	4	
No	Parts No	Parts Name	RMK151	RMK150A	Remarks
			Qty		

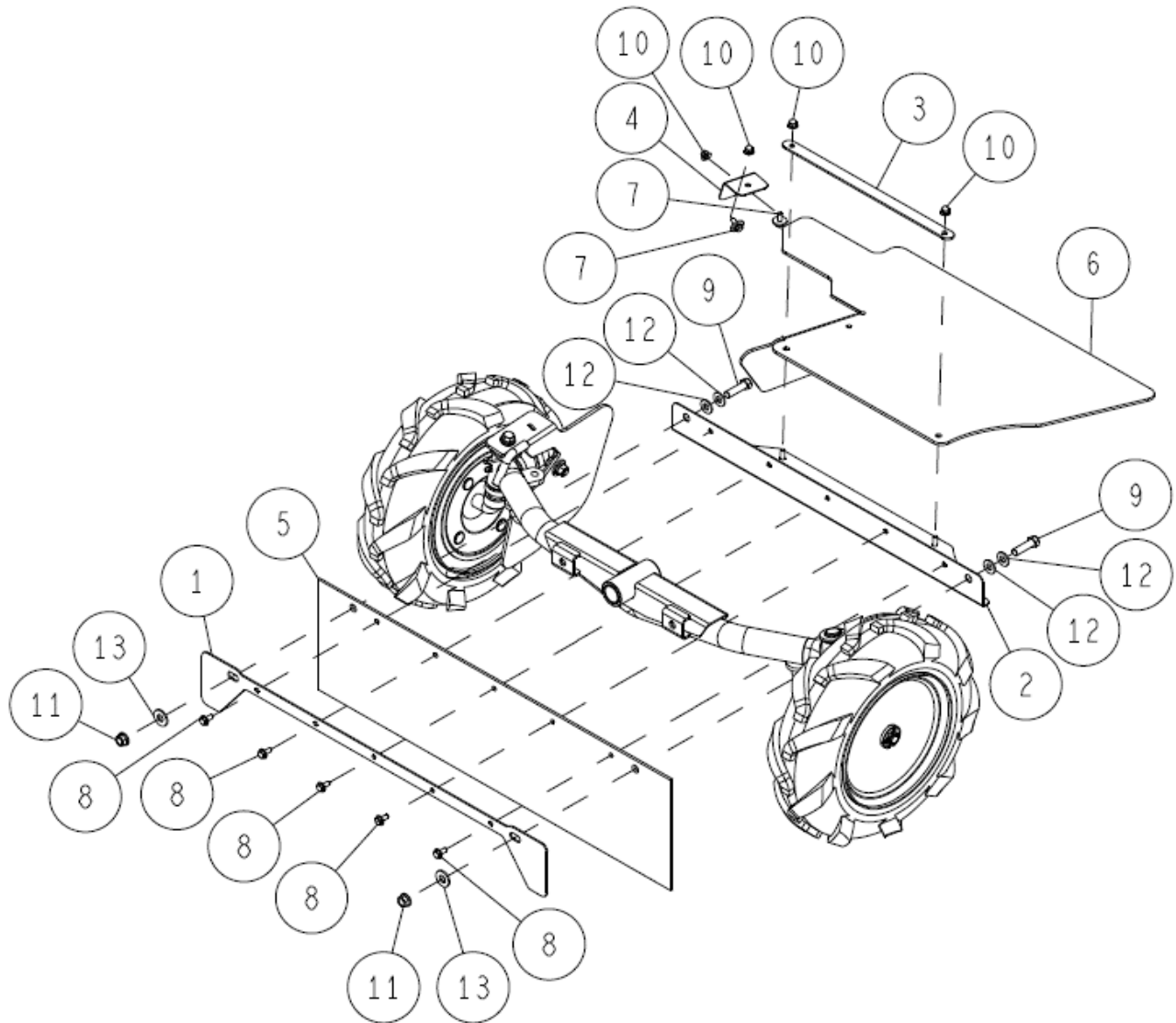


-	0207-13000	Tie Rod Adjuster Assy	2	2	5, 6, 7, 9, 12
12	89-1612-100042	Mini Hexagonal Nut (Slender) M10	2	2	
11	89-1254-100252	Flange Mini Hexagonal Bolt M10*25 P=1.25	2	2	
10	83-1493-255-00	Flange Lock Nut M10 (slender)	4	4	
9	83-1493-195-00	Hexagonal Nut (slender) M10 Left	2	2	
8	0322-1060H	Rack Support CMP (RM881) (Metallic Grey)	1	1	
7	0207-13100	Tie Rod Adjuster	2	2	
6	80-1493-963-00	Link Ball LHSA 10DLE21	2	2	
5	80-1493-962-00	Link Ball LHSA 10DE21	2	2	
4	80-1490-967-00	Steering Boots	2	2	
3	80-1484-962-10	Steering Gear Box Assy	1	1	
2	80-1020-719-00	Hexagonal Tap Tight M8*18	2	2	
1	80-1016-461-00	Bearing Cover	1	1	
No	Parts No	Parts Name	RMK151	RMK150A	Remaks
			Qty		

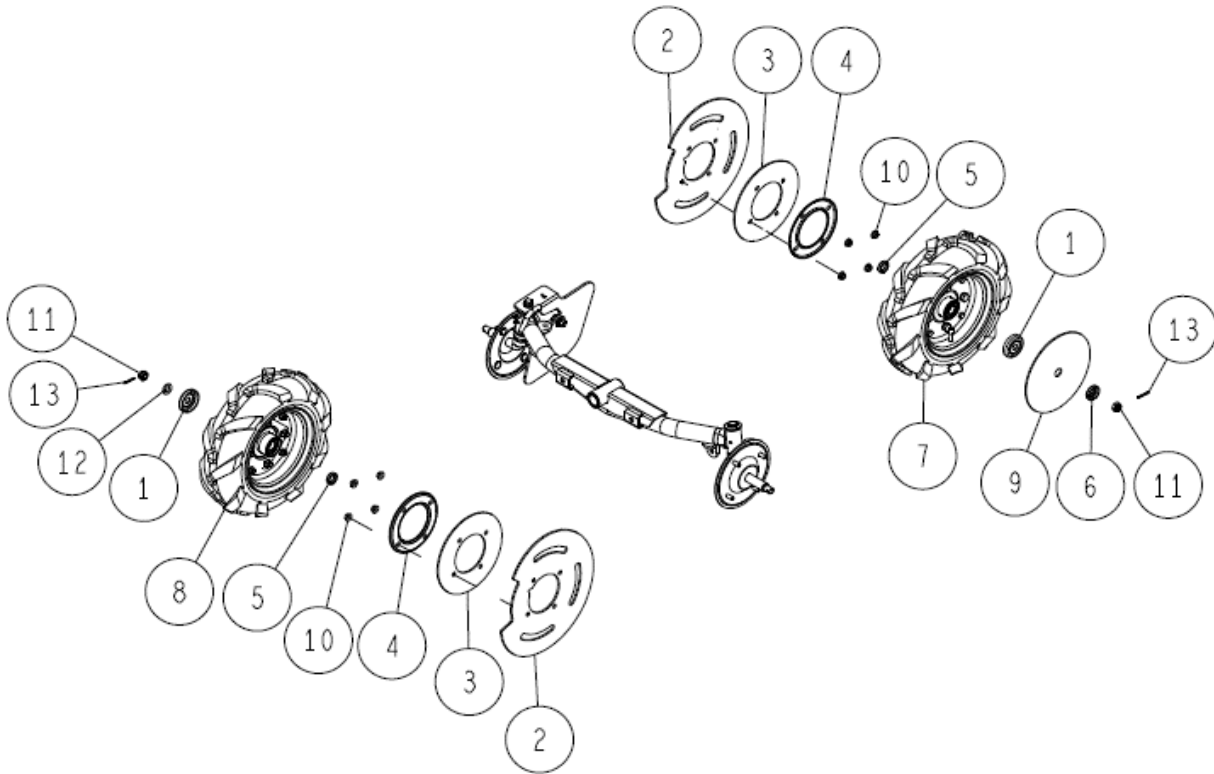
Front Part 1/4



7	89-1750-120002	Spring Washer 12	1	1	
6	89-1713-120002	Flat Washer 12 (Large)	1	1	
5	89-1551-120002	Hexagonal U Nut M12	1	1	
4	83-1415-975-00	Grease Nipple M6	1	1	
3	0322-3030H	Front Axle Holder (881) (Metallic Grey)	1	1	
2	0312-74300	Hexagonal Bolt (7T-SW.PW) M10*30 (Meck)	4	4	
1	0207-30700	Center Pin	1	1	
No	Parts No	Parts Name	RMK151	RMK150A	Remaks
			Qty		

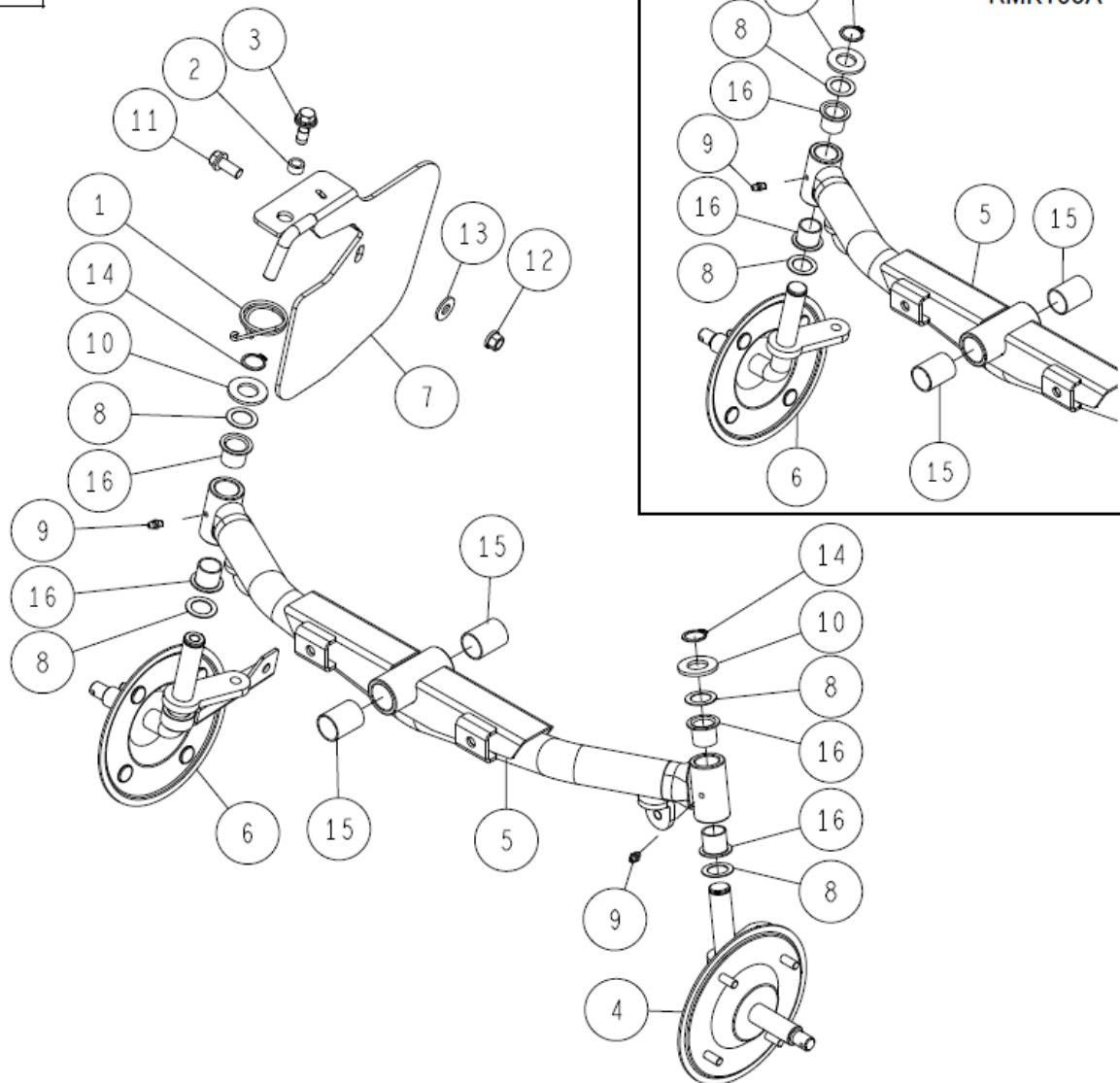


13	89-1713-10002	Flat Washer 10 (Large)	2	2	
12	89-1712-10002	Flat Washer 10*21*2.1	4	4	
11	89-1631-100042	Flange Mini Hexagonal Nut M10	2	2	
10	89-1581-060042	Flange Cap Nut M6	4	4	
9	89-1213-100357	Mini Hexagonal Bolt (8T) M10*35	2	2	
8	89-1137-060152	Hexagonal Bolt (PW) M6*15	5	5	
7	83-1565-111-00	Hexagonal Bolt (with Big Washer) M6*16	2	2	
6	0341-30100	Upper Flapper	1	1	
5	0329-33400	Front Flapper (RMK150)	1	1	
4	0322-31500	Upper Flapper Holder (R)	1	1	
3	0322-3130H	Upper Flapper Holder (Metallic Grey)	1	1	
2	0322-3110H	Front Upper Flapper Guard CMP (Metallic Grey)	1	1	
1	0312-3350H	Front Flapper Holder (Metallic Grey)	1	1	
No	Parts No	Parts Name	RMK151	RMK150A	Remaks
			Qty		

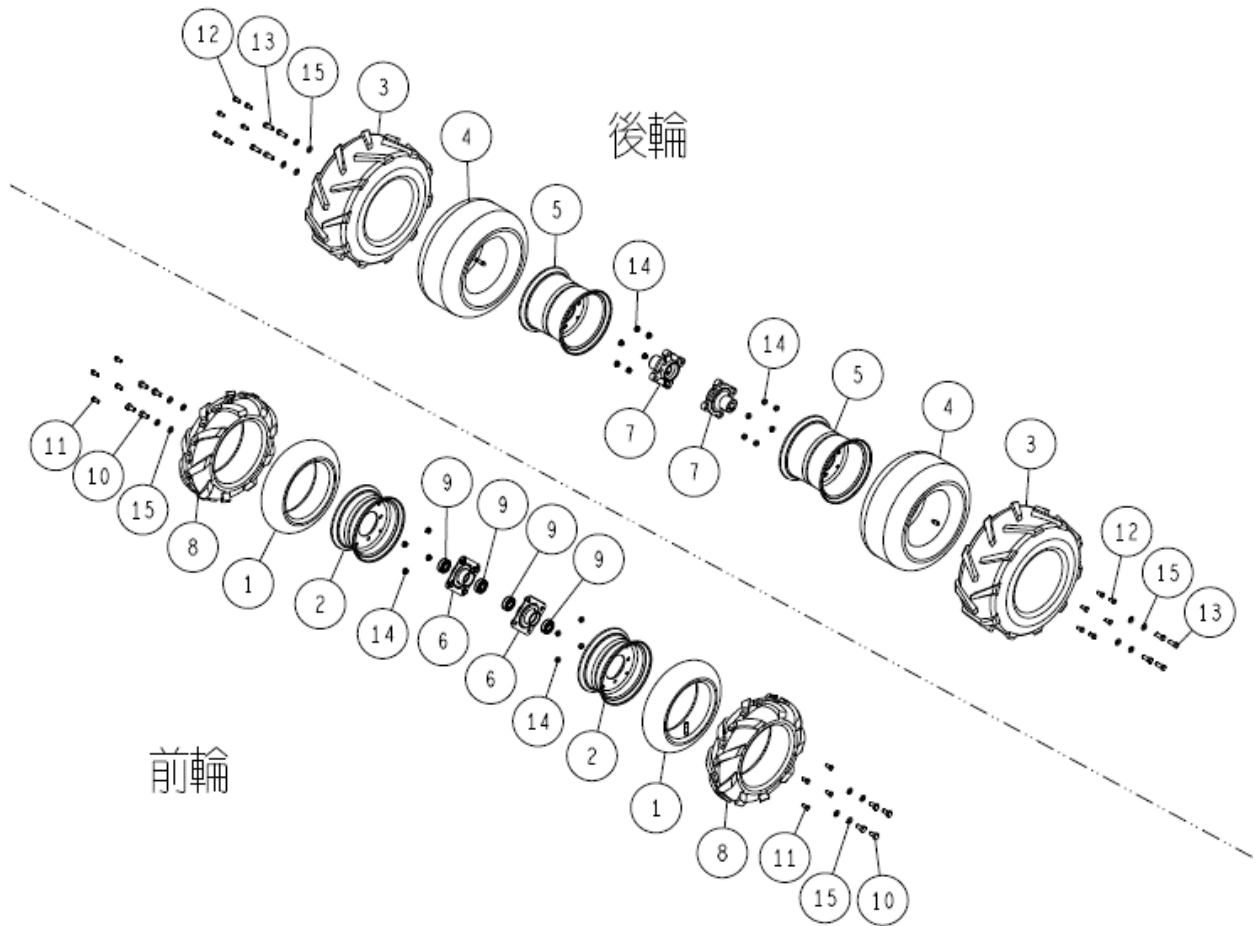


13	89-2120-250252	Split Pin 2.5*25	2	2	
12	89-1750-140002	Spring Washer 14	1	1	
11	89-1668-140042	Mini Low Castle Nut (2 sorts) M14	2	2	
10	89-1631-080042	Flange Mini Hexagonal Nut M8	8	8	
9	0349-31800	Front rubber cover (OUT)	1	1	
8	0322-33000	Front Tire (R) ASSY (3.50-7 TA) (Include Wheel Boss)	1	1	詳細 P32
7	0322-32000	Front Tire (L) ASSY (3.50-7 TA) (Include Wheel Boss)	1	1	詳細 P32
6	0309-00600	Dust Cover for Main Shaft	1	1	
5	0207-31100	King Pin Collar	2	2	
4	0207-30900	Front Wheel Rubber Cover Support	2	2	
3	0207-30800	Front Wheel Rubber Cover (IN) for 7inch	2	2	
2	0207-30600	Front Wheel Rubber Cover	2	2	
1	0207-30500	Front Wheel Dust Cover	2	2	
No	Parts No	Parts Name	RMK151	RMK150A	Remaks
			Qty		

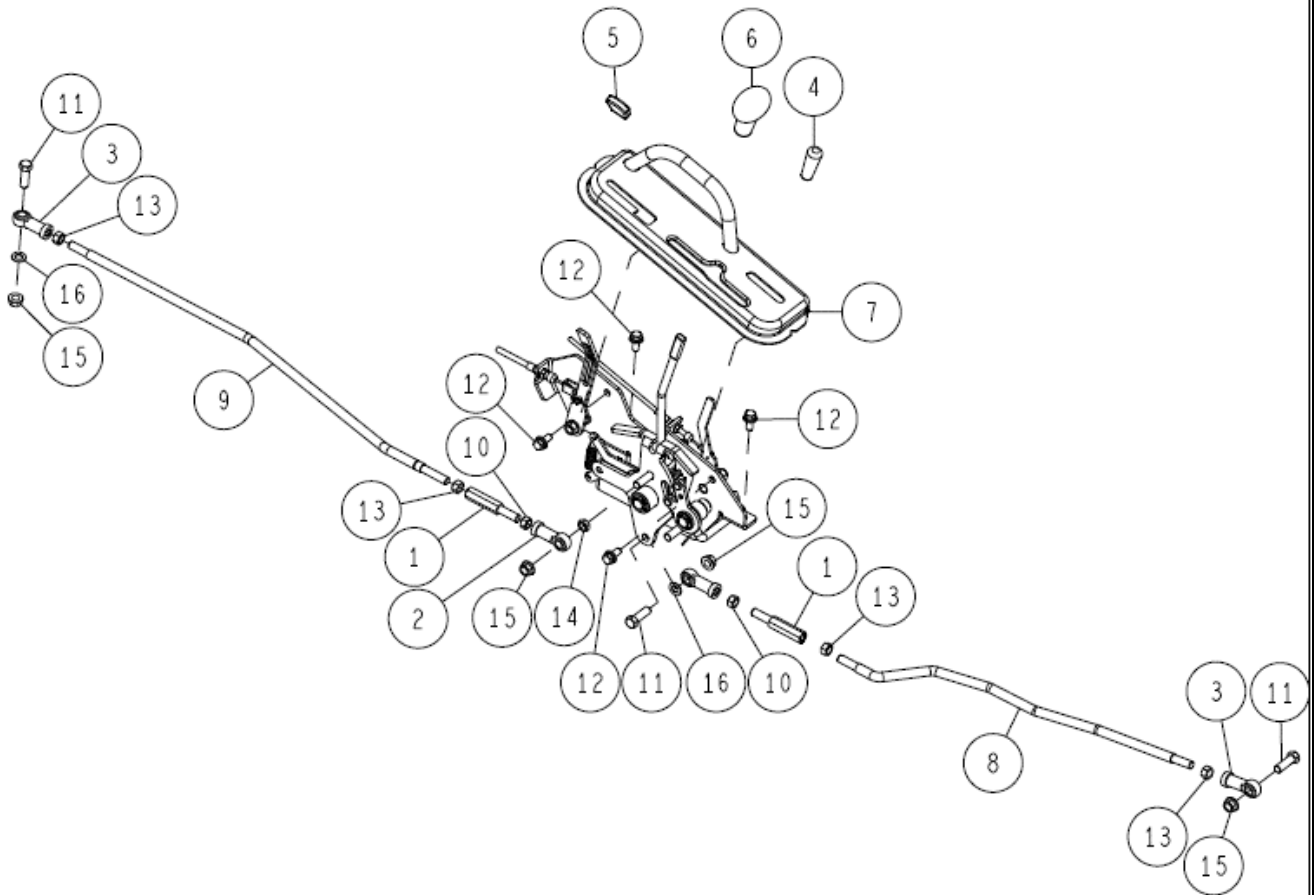
31/62 フロント部 4/4



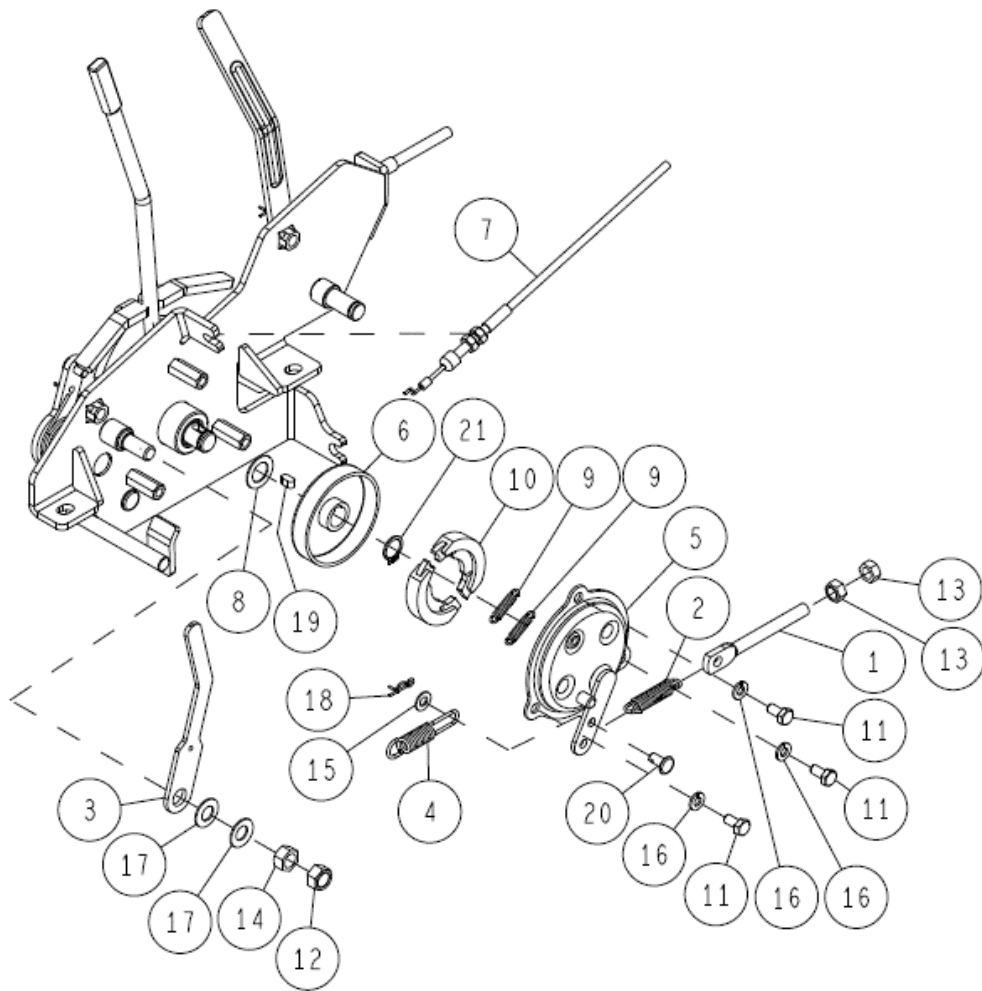
16	89-3511-020200	DU Bush 20.20.31F	4	4	
15	89-3510-025350	DU Bush 25.35	2	2	
14	89-2511-000200	Snap Ring (S20)	2	2	
13	89-1713-100002	Flat Washer 10 (Large)	1	1	BWAGL00109~(RMK150A)
12	89-1543-100002	Mini Hexagonal Nut (SW) M10	1	1	BWAGL00109~(RMK150A)
11	89-1232-100252	Mini Hexagonal Bolt (SW) M10*25	1	1	BWAGL00109~(RMK150A)
10	83-1490-337-00	Washer 20*38*3.2	2	2	
9	83-1415-975-00	Grease Nipple M6	2	2	
8	83-1310-371-00	Thrust Washer 20*30*1.0	4	4	
7	0341-3120H	Scattering guard CMP (Metallic Grey)	1	1	BWAGL00109~(RMK150A)
6	0341-3110H	King Pin Right CMP (Metallic Grey)	1	1	BWAGL00109~(RMK150A)
	0322-3010H	King Pin Right CMP (Metallic Grey)	1	1	~BWAGL00108(RMK150A)
5	0329-3210H	Front Axle CMP (RMK150) (Metallic Grey)	1	1	
4	0322-3020H	King Pin Left CMP (Metallic Grey)	1	1	
3	0312-74300	Hexagonal Bolt (7T-SW.PW) M10*30 (Meck)	1	1	BWAGL00109~(RMK150A)
2	0259-30600	Protector Collar	1	1	BWAGL00109~(RMK150A)
1	0259-30500	Protector Return Spring	1	1	BWAGL00109~(RMK150A)
No	Parts No	Parts Name	RMK151	RMK150A	Remarks
			Qty		



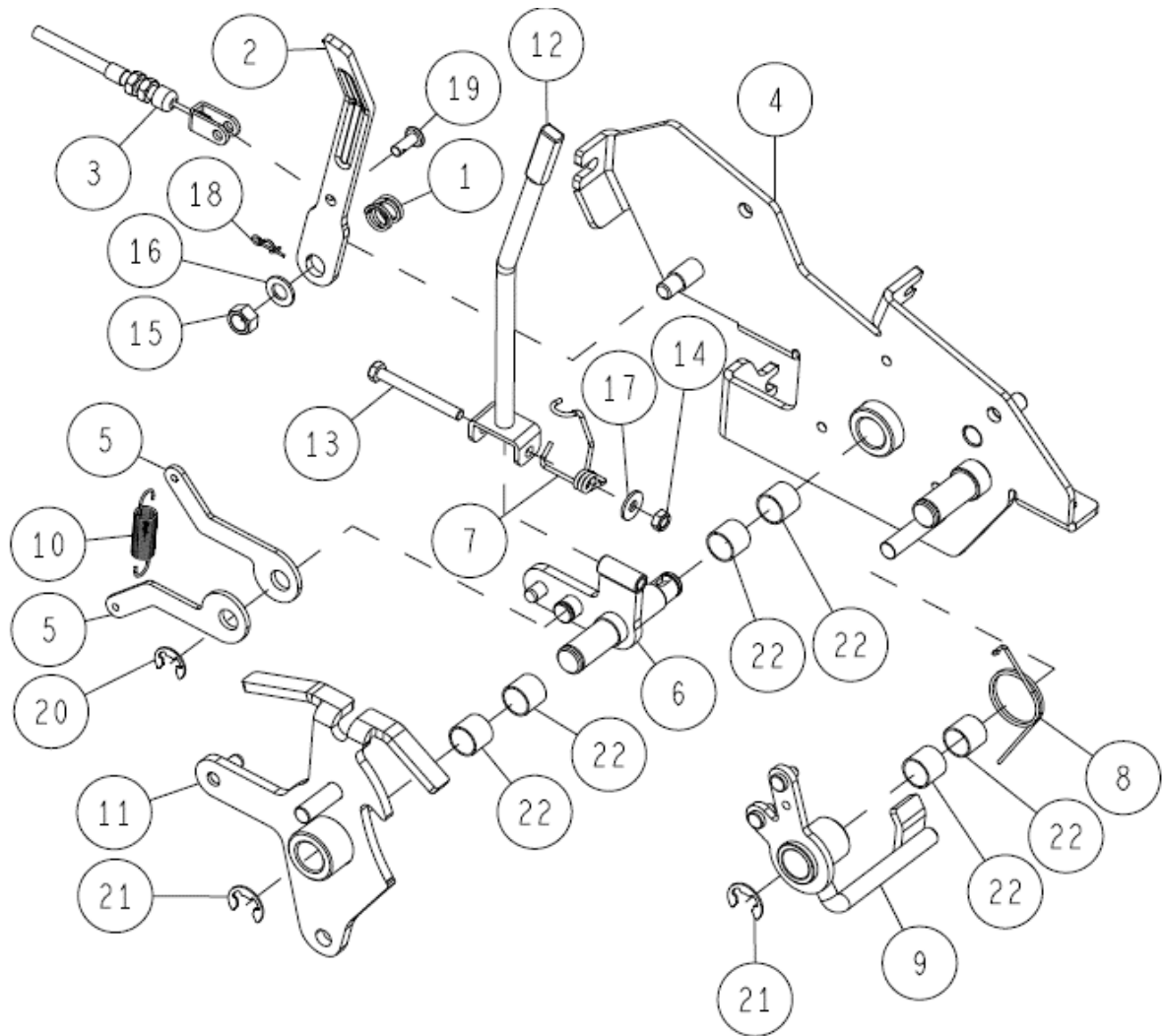
-	0322-35000	Tire Assy (R) 3.50-7 (TA)	1	1	1、2、8、11、14
-	0322-34000	Tire Assy (L) 3.50-7 (TA)	1	1	1、2、8、11、14
-	80-1751-412-00	Tire (R) Assy (16*7.00-8)	1	1	3、4、5、12、14
-	80-1751-411-00	Tire (L) Assy (16*7.00-8)	1	1	3、4、5、12、14
15	89-1750-100002	Spring Washer 10	16	16	
14	89-1543-080002	Mini Hexagonal Nut (SW) M8	20	20	
13	89-1213-100252	Mini Hexagonal Bolt (8T) M10*25	8	8	
12	89-1213-080162	Mini Hexagonal Bolt (8T) M8*16	12	12	
11	89-1211-080162	Mini Hexagonal Bolt M8*16	8	8	
10	89-1113-100202	Hexagonal Bolt (8T) M10*20	8	8	
9	0342-77700	Bearing 6004 2NSE-NB	4	4	
8	0322-32100	Tire 3.50-7 (TA)	2	2	
7	0207-31201	Rear Wheel Boss (White)	2	2	
6	0207-30411	Front Wheel Boss (White)	2	2	
5	80-1751-407-00	Wheel Assy 16*700*8	2	2	
4	80-1751-404-00	Tire Tube 16*700*8	2	2	
3	80-1751-401-00	Tire 16*700*8	2	2	
2	80-1260-407-00	Wheel Assy 3.50-7	2	2	
1	80-1260-404-00	Tire Tube 3.50-7	2	2	
No	Parts No	Parts Name	RMK151	RMK150A	Remaks
			Qty		



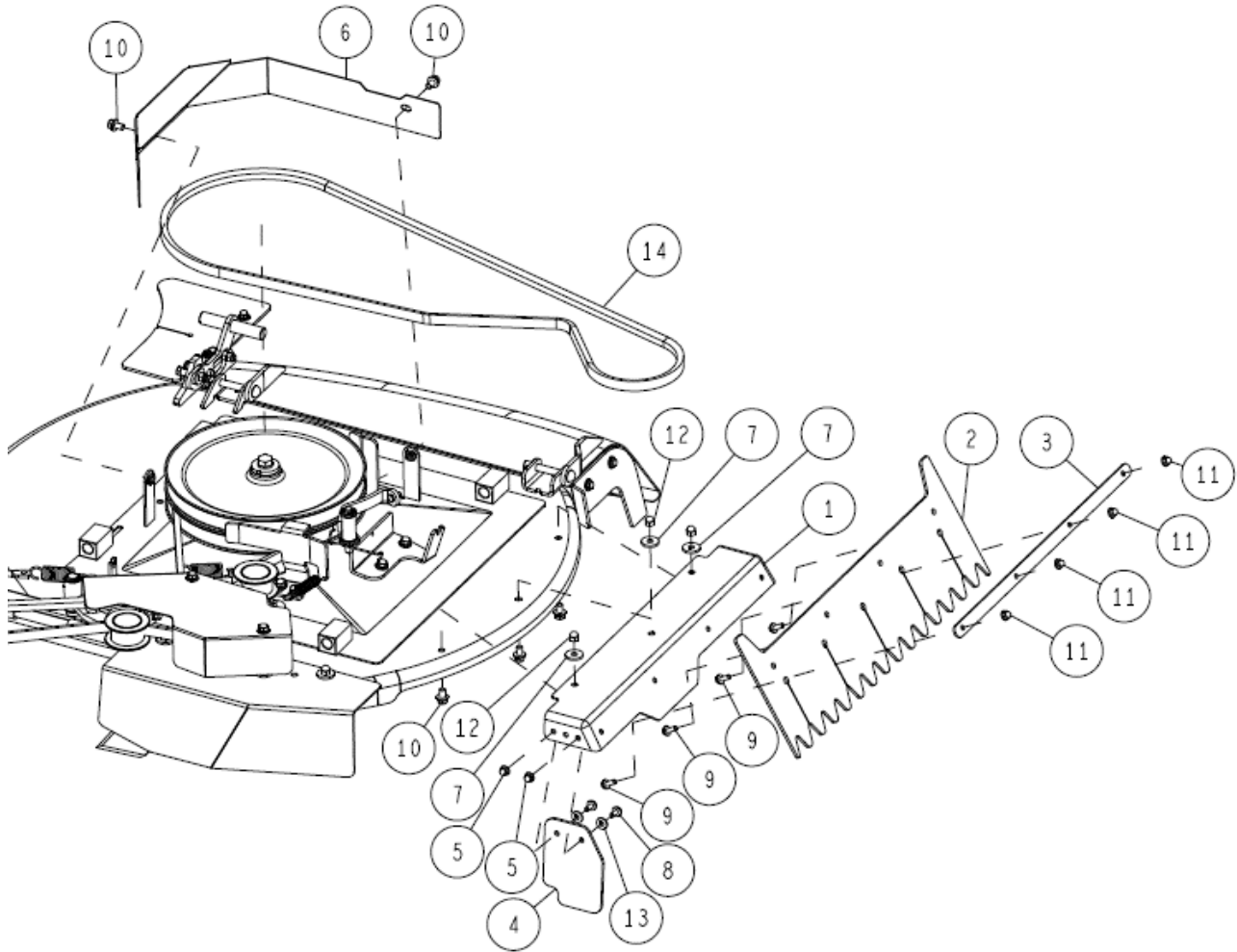
-	0341-11010	Change Pedal Rod Assy	1	1	1, 2, 3, 8, 10, 13 BWAGL00109~(RMK150A)
-	0341-11000	Change Pedal Rod Assy	1	1	1, 2, 3, 8, 10, 13 ~BWAGL00108(RMK150A)
-	0312-16000	Shift Rod Assy	1	1	1, 2, 3, 9, 10, 13
16	89-1711-100002	Flat Washer 10*18*1.6	2	2	
15	89-1631-100042	Flange Mini Hexagonal Nut M10	4	4	
14	89-1613-100042	Mini Hexagonal Nut (3 sorts) M10	1	1	
13	89-1611-100042	Mini Hexagonal Nut M10	4	4	
12	89-1233-080202	Mini Hexagonal Bolt (PWSW) M8*20	4	4	
11	89-1213-100302	Mini Hexagonal Bolt (8T) M10*30	3	3	
10	83-1488-195-02	Mini Hexagonal Nut M10 (L)	2	2	
9	0348-11100	Shift Rod	1	1	
8	0341-11110	Change Pedal Rod	1	1	BWAGL00109~(RMK150A)
	0341-11100	Change Pedal Rod	1	1	~BWAGL00108(RMK150A)
7	0341-10201	Control guide CMP white	1		IA
	0341-1020G	Control guide CMP green	1		OR
	0341-10206	Control guide CMP blue		1	IA
	0341-10205	Control guide CMP yellow-green		1	OR
6	0221-13200	Change Grip	1	1	
5	0215-70600	Lever Grip (Red)	1	1	
4	0207-72600	Lever Grip 8 (black)	1	1	
3	80-1487-964-10	Rod End PHS10EC	2	2	
2	80-1487-962-10	Rod End PHS10ECL	2	2	
1	80-1485-265-00	Shift Rod Adjuster	2	2	
No	Parts No	Parts Name	RMK151	RMK150A	Remaks
			Qty		



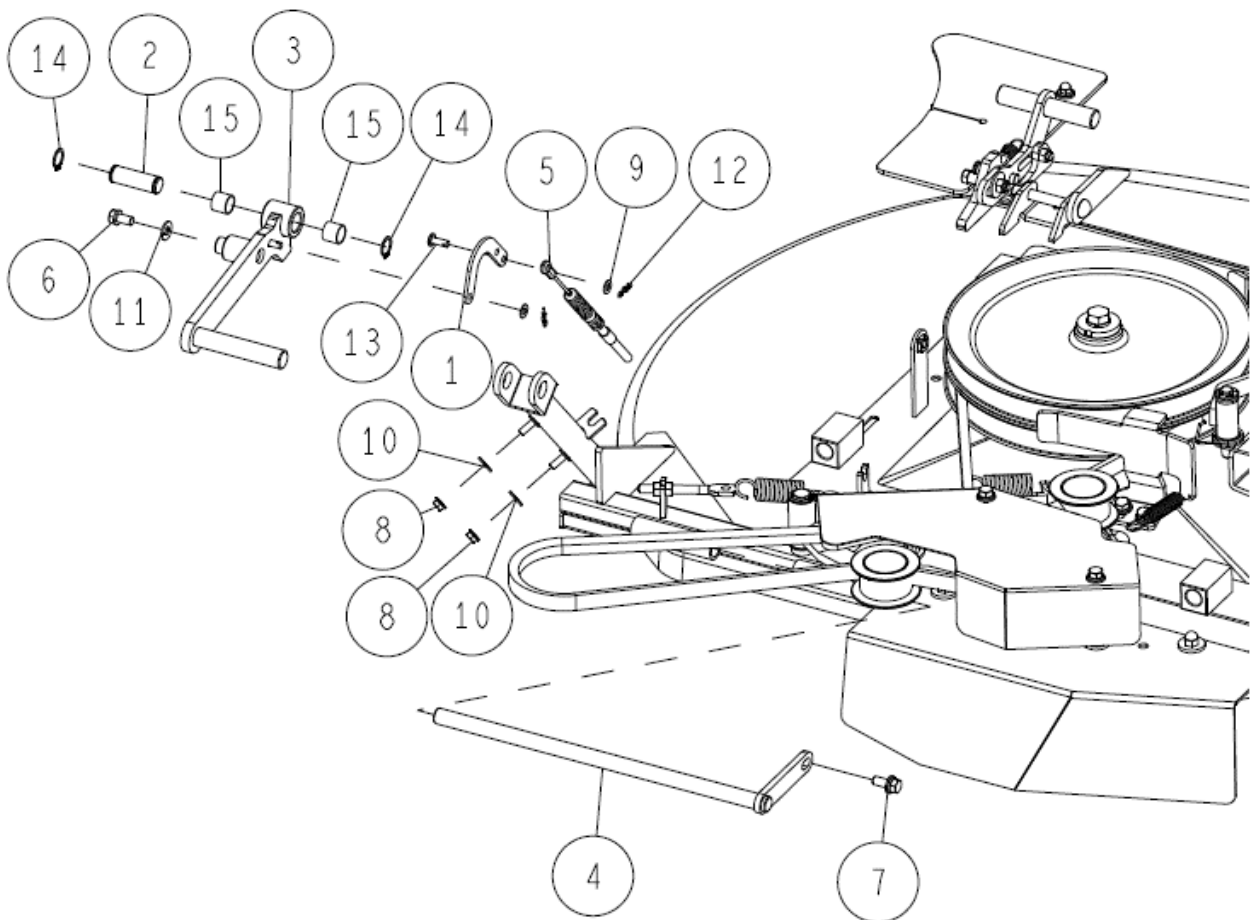
-	0312-17010	Change Brake Assy	1	1	5、6、9、10
21	89-2511-000140	Snap Ring (S14)	1	1	
20	89-2181-060122	Flat Head Pin 6*12	1	1	
19	89-2150-050100	Key 5*10 (round)	1	1	
18	89-2132-060002	Snap Pin 6 (with stopper)	1	1	
17	89-1852-100000	Belleville Spring H10	2	2	
16	89-1750-060002	Spring Washer 6	3	3	
15	89-1711-060002	Flat Washer 6	1	1	
14	89-1611-100042	Mini Hexagonal Nut M10	1	1	
13	89-1611-080042	Mini Hexagonal Nut M8	2	2	
12	89-1561-100002	Mini Hexagonal U Nut M10	1	1	
11	89-1113-060122	Hexagonal Bolt (8T) M6*12	3	3	
10	85-1711-318-00	Brake Shoe Set	1	1	
9	85-1711-317-00	Shoe Return Spring	2	2	
8	83-1675-375-00	Thrust Washer 14*23*1.0	1	1	
7	0322-75400	Throttle Wire	1	1	
6	0312-17200	Brake Drum	1	1	
5	0312-17100	Brake Cover	1	1	
4	0312-14200	Spring for Brake Pulling	1	1	
3	0312-12900	Throttle Lever	1	1	
2	0225-11800	Spring, Change Brake	1	1	
1	0207-72300	Tension Adjuster	1	1	
No	Parts No	Parts Name	RMK151	RMK150A	Remaks
			Qty		



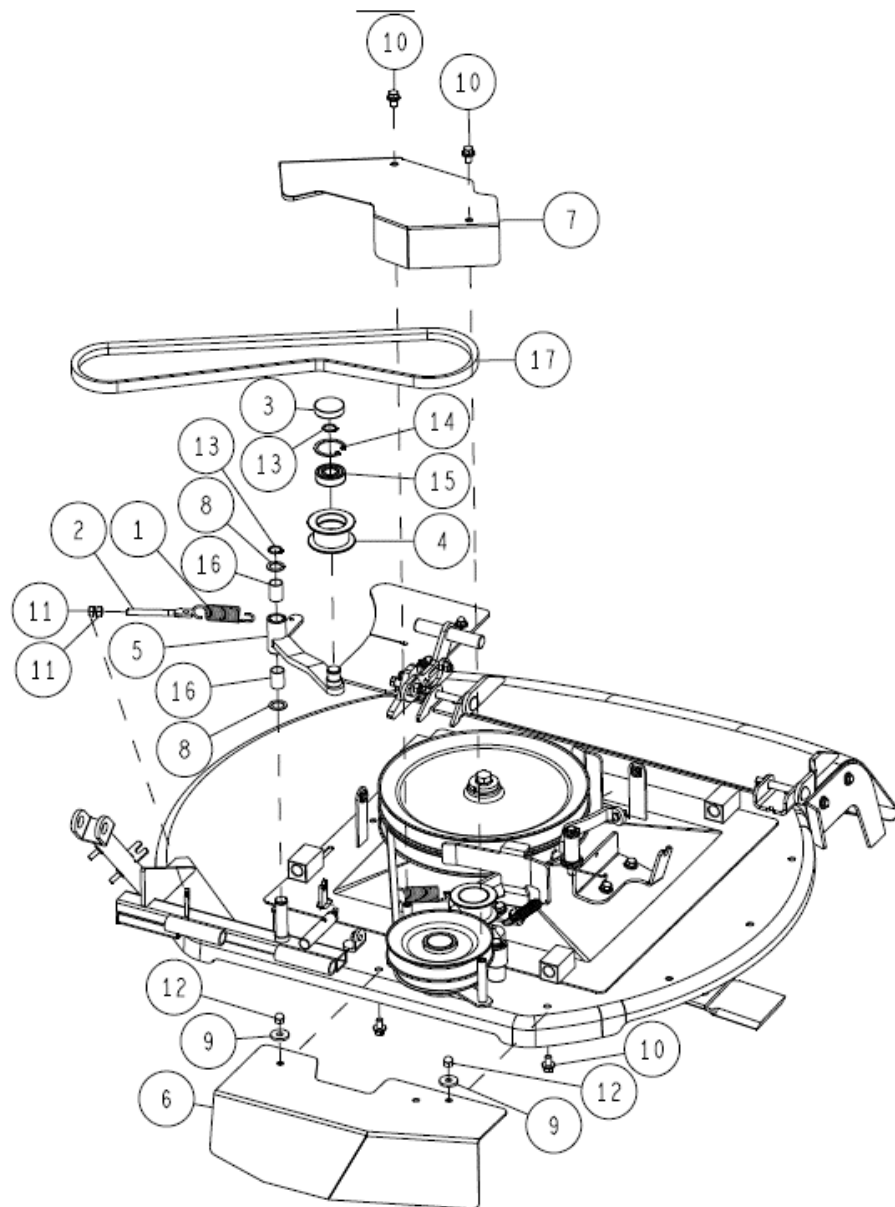
22	89-3510-016150	DU Bush 16.15	6	6	
21	89-2521-000120	E Type Ring 12	2	2	
20	89-2521-000100	E Type Ring 10	1	1	
19	89-2181-060162	Flat Head Pin 6*16	1	1	
18	89-2132-060002	Snap Pin 6 (with stopper)	1	1	
17	89-1713-060002	Flat Washer 6 (Large)	1	1	
16	89-1711-100002	Flat Washer 10*18*1.6	1	1	
15	89-1561-100002	Mini Hexagonal U Nut M10	1	1	
14	89-1551-060002	Hexagonal U Nut M6	1	1	
13	89-1113-060552	Hexagonal Bolt (8T) M6*55	1	1	
12	0348-10300	Change Lever CMP	1	1	
11	0348-1010H	Change Lever Guide CMP (Metallic Grey)	1	1	
10	0329-12500	Spring for Change Pedal	1	1	
9	0322-1240H	Change Return Arm CMP (Metallic Grey)	1	1	
8	0312-13800	Spring for Change Return Arm	1	1	
7	0312-13700	Spring for Change Lever	1	1	
6	0312-1242H	Change Lever Base CMP (Metallic Grey)	1	1	
5	0312-1231H	Neutral Arm (Metallic Grey)	2	2	
4	0312-1210H	Change Bracket CMP (Metallic Grey)	1	1	
3	0244-72410	Defferential Lock Wire	1	1	
2	0244-13200	Differential Lock Lever CMP	1	1	
1	80-1020-263-00	Control Lever Shaft Spring	1	1	
No	Parts No	Parts Name	RMK151	RMK150A	Remaks
			Qty		



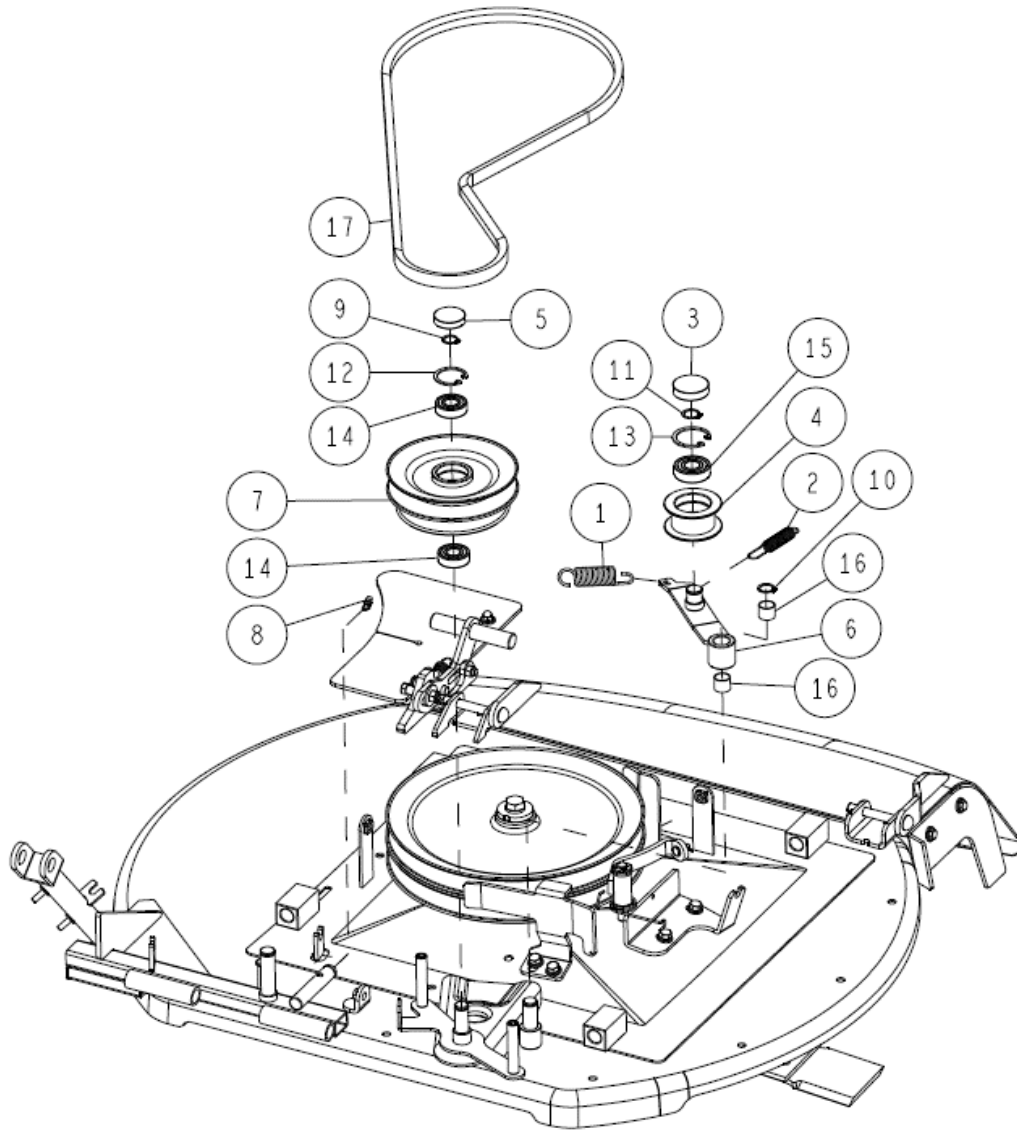
14	89-6123-007702	V Belt SB-77 (W800)	1	1	
13	89-1713-060002	Flat Washer 6 (Large)	2	2	
12	89-1671-080042	Mini Cap Nut M8	3	3	
11	89-1581-060042	Flange Cap Nut M6	4	4	
10	89-1233-080162	Mini Hexagonal Bolt (PWSW) M8*16	5	5	
9	89-1137-060172	Hexagonal Bolt (PW) M6*17	4	4	
8	89-1137-060152	Hexagonal Bolt (PW) M6*15	2	2	
7	83-1751-312-00	Washer 8*25*3.2	3	3	
6	0329-6050H	Knife Belt Cover CMP (Metallic Gray)	1	1	
5	0312-77500	Flange Cap Nut M6 (Meck)	2	2	
4	0312-50700	Side Rear Flapper (L)	1	1	
3	0244-6140H	Rear Flapper Holder (Metallic Grey)	1	1	
2	0244-61300	Rear Guard Flapper	1	1	
1	0244-6120H	Rear Guard (Metallic Grey)	1	1	
No	Parts No	Parts Name	RMK151	RMK150A	Remaks
			Qty		



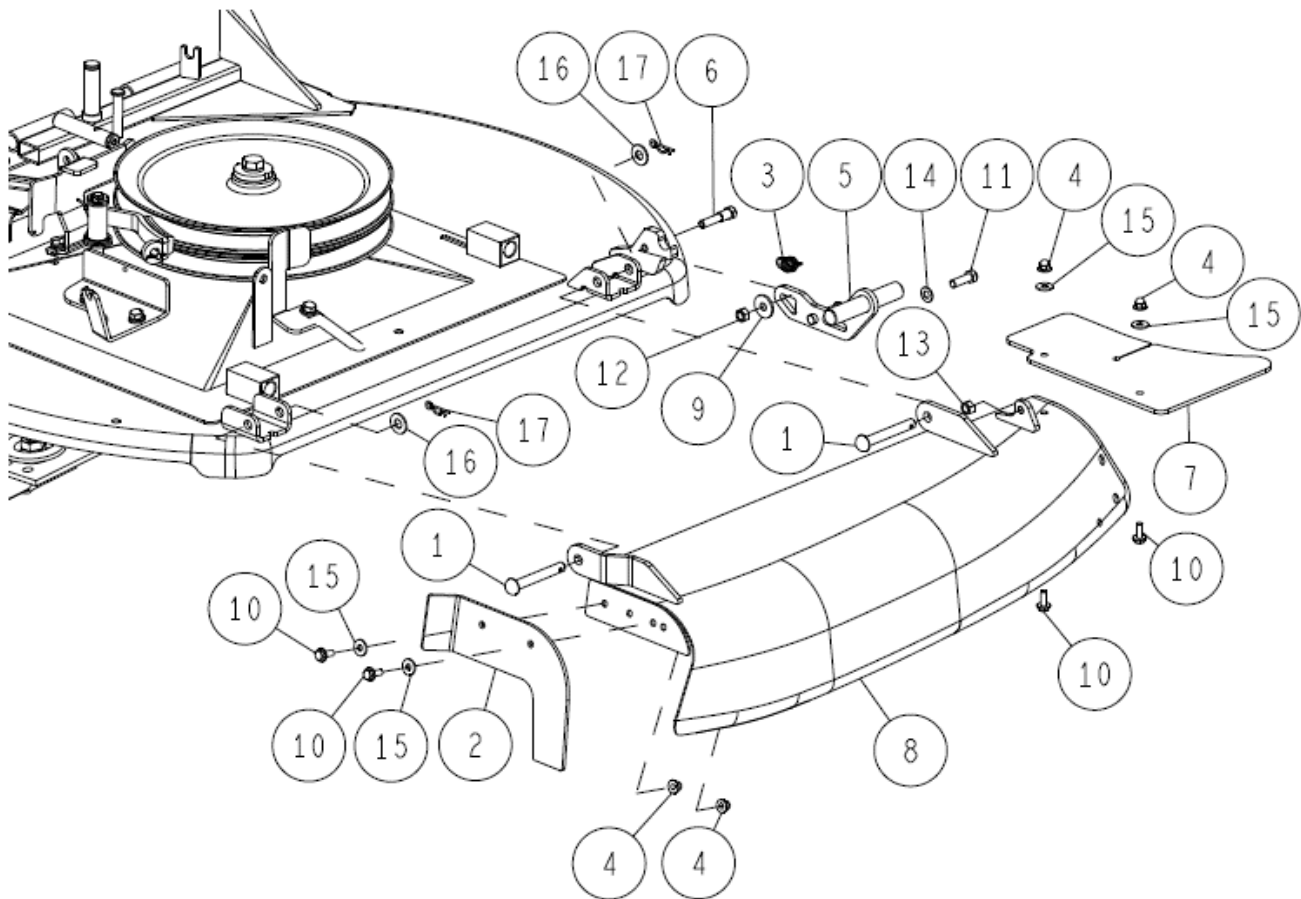
15	89-3510-016150	DU Bush 16.15	2	2	
14	89-2511-000160	Snap Ring (S16)	2	2	
13	89-2181-060162	Flat Head Pin 6*16	1	1	
12	89-2132-060002	Snap Pin 6 (with stopper)	2	2	
11	89-1714-080002	Flat Washer 8	1	1	
10	89-1713-060002	Flat Washer 6 (Large)	2	2	
9	89-1711-060002	Flat Washer 6	2	2	
8	89-1531-060042	Flange Nut M6	2	2	
7	89-1233-080202	Mini Hexagonal Bolt (PWSW) M8*20	1	1	
6	89-1232-080162	Mini Hexagonal Bolt (SW) M8*16	1	1	
5	0329-70900	Wire, Middle Tension (RMK150)	1	1	
4	0329-53400	Offset Connecting Pipe CMP (RMK150)	1	1	
3	0329-5320H	Hanger connection CMP (Metallic Grey)	1		
	0329-53203	Hanger connection CMP gray		1	
2	0303-53500	Hunger Pin	1	1	
1	0223-11600	Wire Joint	1	1	
No	Parts No	Parts Name	RMK151	RMK150A	Remaks
			Qty		



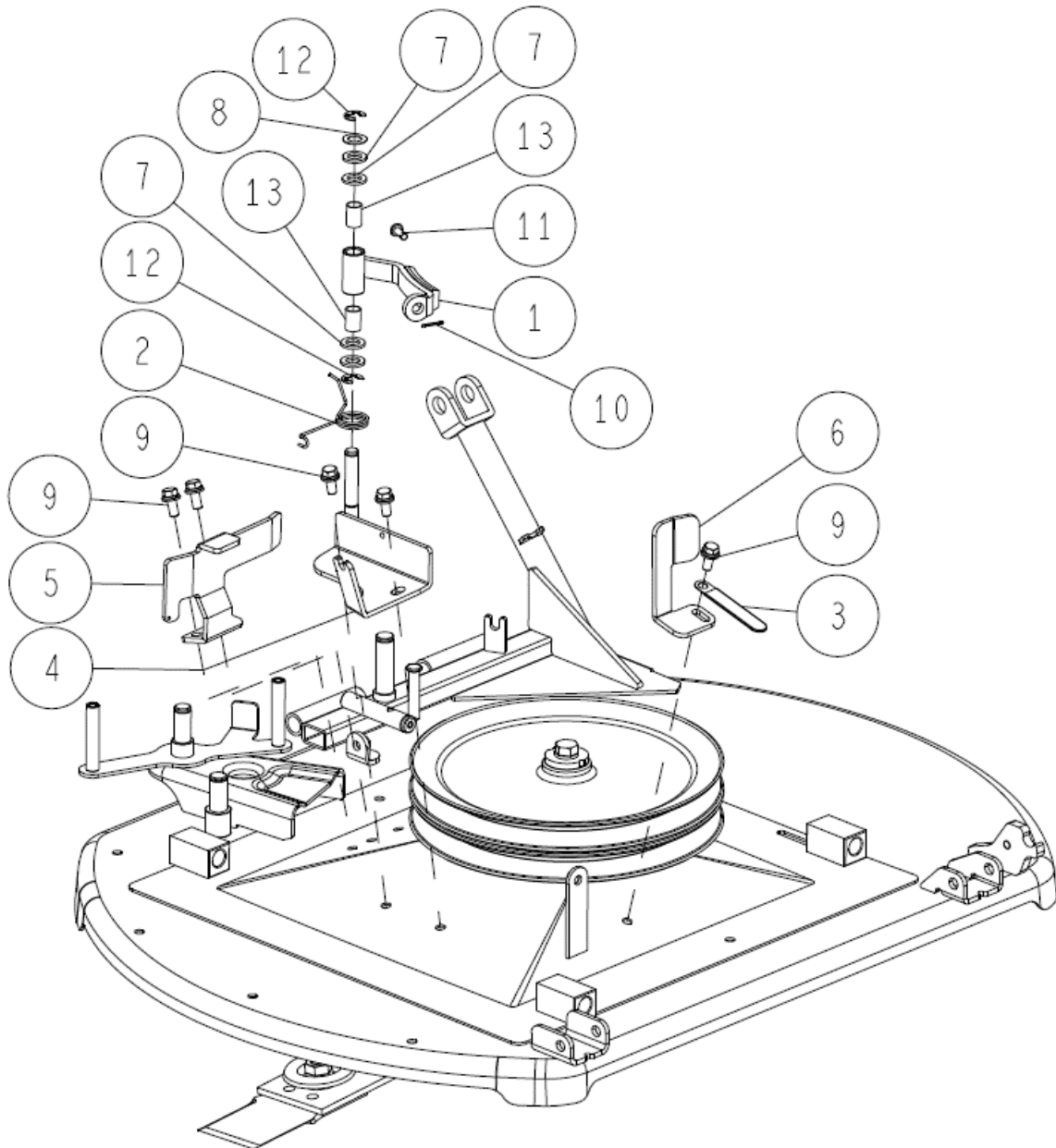
-	0272-41000	Tension Pulley (B) Assy	1	1	4,13,14
17	89-6123-004802	V Belt SB-48 (W800)	1	1	
16	89-3510-016250	DU Bush 16.25	2	2	
15	89-3115-062034	Bearing 6203 2RS	1	1	
14	89-2512-000400	Snap Ring (R40)	1	1	
13	89-2511-000160	Snap Ring (S16)	2	2	
12	89-1671-080042	Mini Cap Nut M8	2	2	
11	89-1611-080042	Mini Hexagonal Nut M8	2	2	
10	89-1233-080162	Mini Hexagonal Bolt (PWSW) M8*16	4	4	
9	83-1751-312-00	Washer 8*25*3.2	2	2	
8	83-1020-363-00	Thrust Washer 16*24*1.0	2	2	
7	0329-60101	Mid belt cover CMP White	1	1	
6	0329-5080H	Left cover (Metallic Grey)	1	1	
5	0303-5121H	Mid Tension pulley B CMP	1	1	
4	0272-40200	Tension Pulley (B)	1	1	
3	0225-70800	Blind Cover 40	1	1	
2	0207-72300	Tension Adjuster	1	1	
1	80-1485-551-00	Driving Tension Spring	1	1	
No	Parts No	Parts Name	RMK151	RMK150A	Remaks
			Qty		



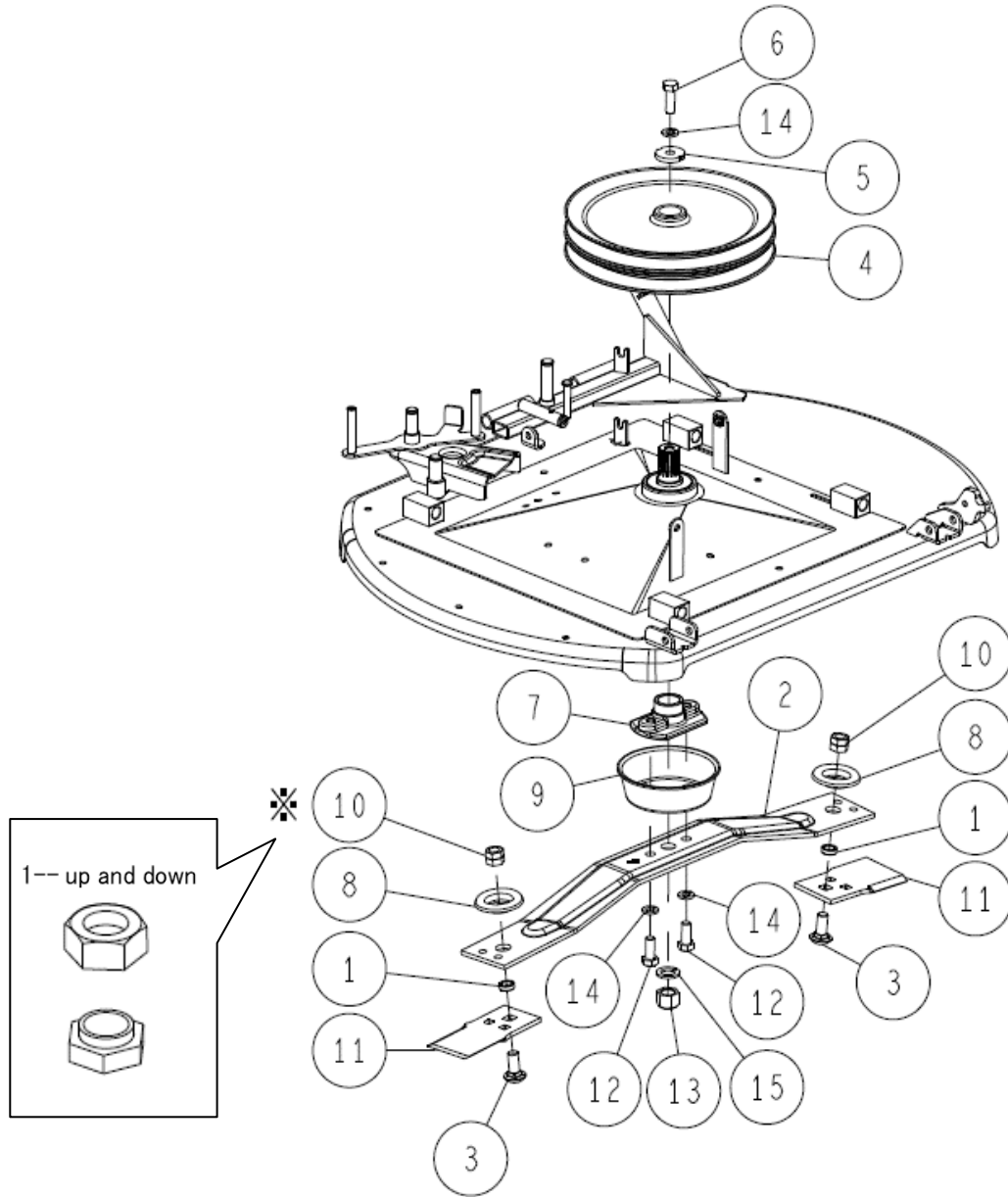
-	0272-41000	Tension Pulley (B) Assy	1	1	4,13,15
17	89-6123-005602	V Belt SB-56 (W800)	1	1	
16	89-3510-016150	DU Bush 16.15	2	2	
15	89-3115-062034	Bearing 6203 2RS	1	1	
14	89-3115-062024	Bearing 6202 2RS	2	2	
13	89-2512-000400	Snap Ring (R40)	1	1	
12	89-2512-000350	Snap Ring (R35)	1	1	
11	89-2511-000170	Snap Ring (S17)	1	1	
10	89-2511-000160	Snap Ring (S16)	1	1	
9	89-2511-000150	Snap Ring (S15)	1	1	
8	0913-70700	Grease Nipple B-Type M6	1	1	
7	0303-5230H	Mid Pulley CMP	1	1	
6	0303-5110H	Mid Tension pulley A CMP	1	1	
5	0282-70400	Blind Cover 35	1	1	
4	0272-40200	Tension Pulley (B)	1	1	
3	0225-70800	Blind Cover 40	1	1	
2	0221-63600	Spring for Sensor Return	1	1	
1	80-1485-551-00	Driving Tension Spring	1	1	
No	Parts No	Parts Name	RMK151	RMK150A	Remaks
			Qty		



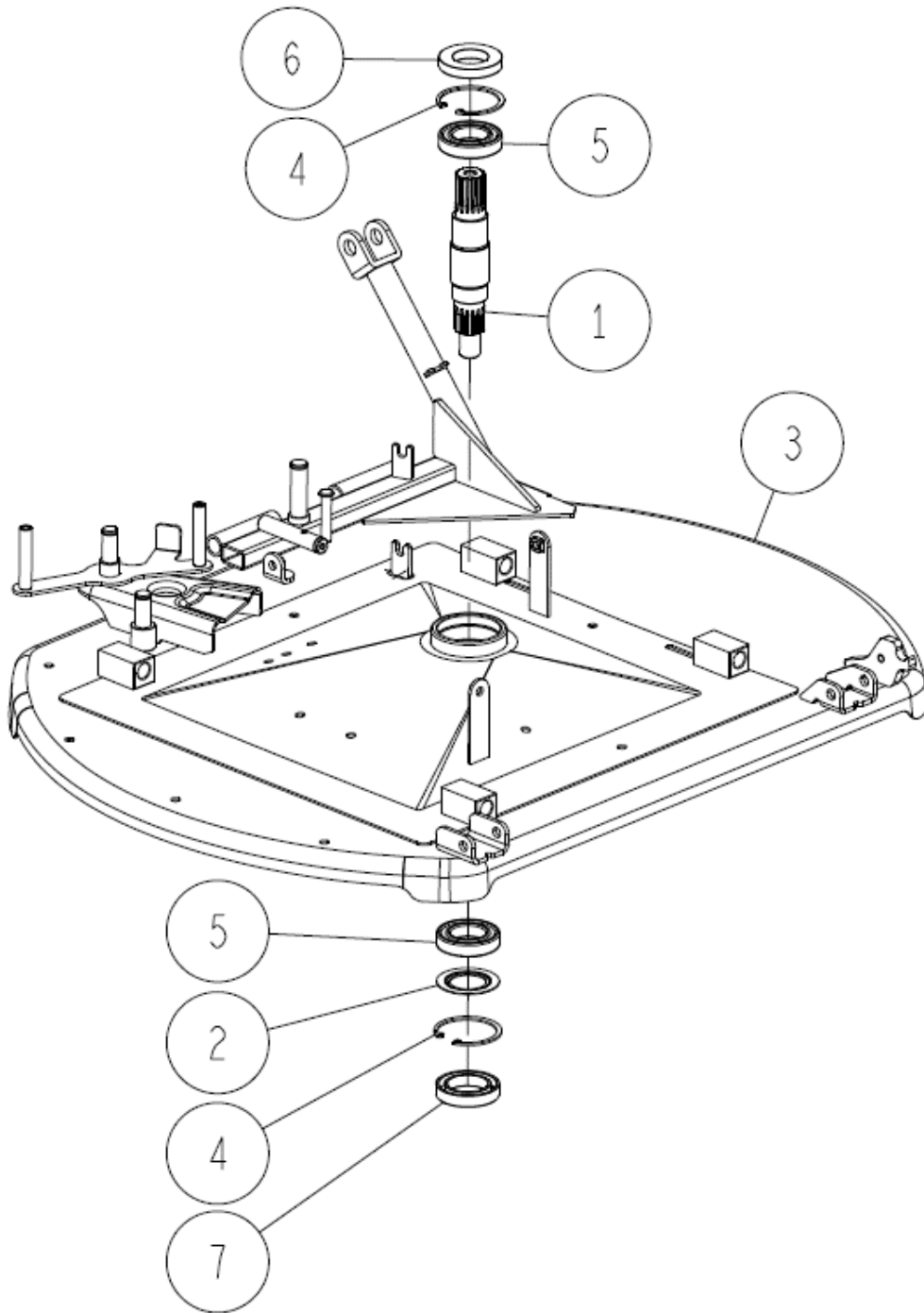
17	89-2131-100002	Snap Pin 10	2	2	
16	89-1714-100002	Flat Washer 10	2	2	
15	89-1713-060002	Flat Washer 6 (Large)	4	4	
14	89-1711-080002	Flat Washer 8	1	1	
13	89-1611-080042	Mini Hexagonal Nut M8	1	1	
12	89-1561-080002	Mini Hexagonal U Nut M8	1	1	
11	89-1213-080252	Mini Hexagonal Bolt (8T) M8*25	1	1	
10	89-1137-060172	Hexagonal Bolt (PW) M6*17	4	4	
9	83-1751-311-00	Flat Washer 8*25*2.3	1	1	
8	0349-5020H	Right Cover CMP (Metallic Grey)	1		
	0349-50203	Right cover CMP gray		1	
7	0341-51100	Right Cover Flapper	1	1	
6	0341-50600	Step Bolt M8	1	1	
5	0341-50500	Right Cover Up/Down Arm CMP	1	1	
4	0312-77500	Flange Cap Nut M6 (Meck)	4	4	
3	0312-23200	Brake Stopper Return Spring	1	1	
2	0284-51600	Side Flapper (Rear Right 88)	1	1	
1	0244-63900	Round Head Pin 10*72	2	2	
No	Parts No	Parts Name	RMK151	RMK150A	Remaks
			Qty		



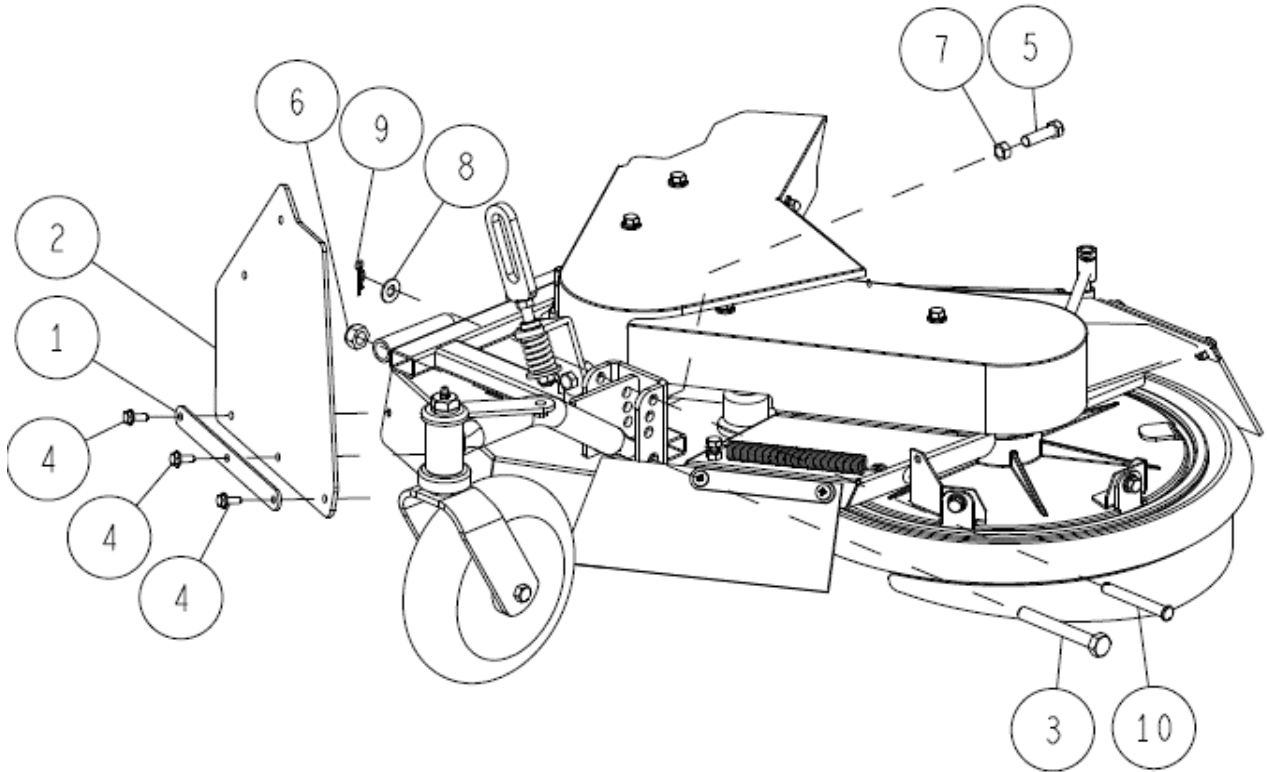
13	89-3510-012200	DU Bush 12.20	2	2	
12	89-2521-000100	E Type Ring 10	2	2	
11	89-2181-060162	Flat Head Pin 6*16	1	1	
10	89-2120-200152	Split Pin 2*15	1	1	
9	89-1233-080202	Mini Hexagonal Bolt (PWSW) M8*20	5	5	
8	83-1754-329-00	Washer 13*22*1.0	1	1	
7	83-1565-329-00	Washer 13*22*2.3	4	4	
6	0303-5820H	Belt retainer R (Metallic Grey)	1	1	
5	0303-5811H	Belt retainer L (Metallic Grey)	1	1	
4	0221-5140H	Knife brake bracket COMP (Metallic Gray)	1	1	
3	80-1792-988-00	Harness Clip 8	1	1	
2	80-1482-373-00	Brake Return Spring	1	1	
1	80-1482-371-3H	Knife Brake (RM82) (Metallic Grey)	1	1	
No	Parts No	Parts Name	RMK151	RMK150A	Remaks
			Qty		



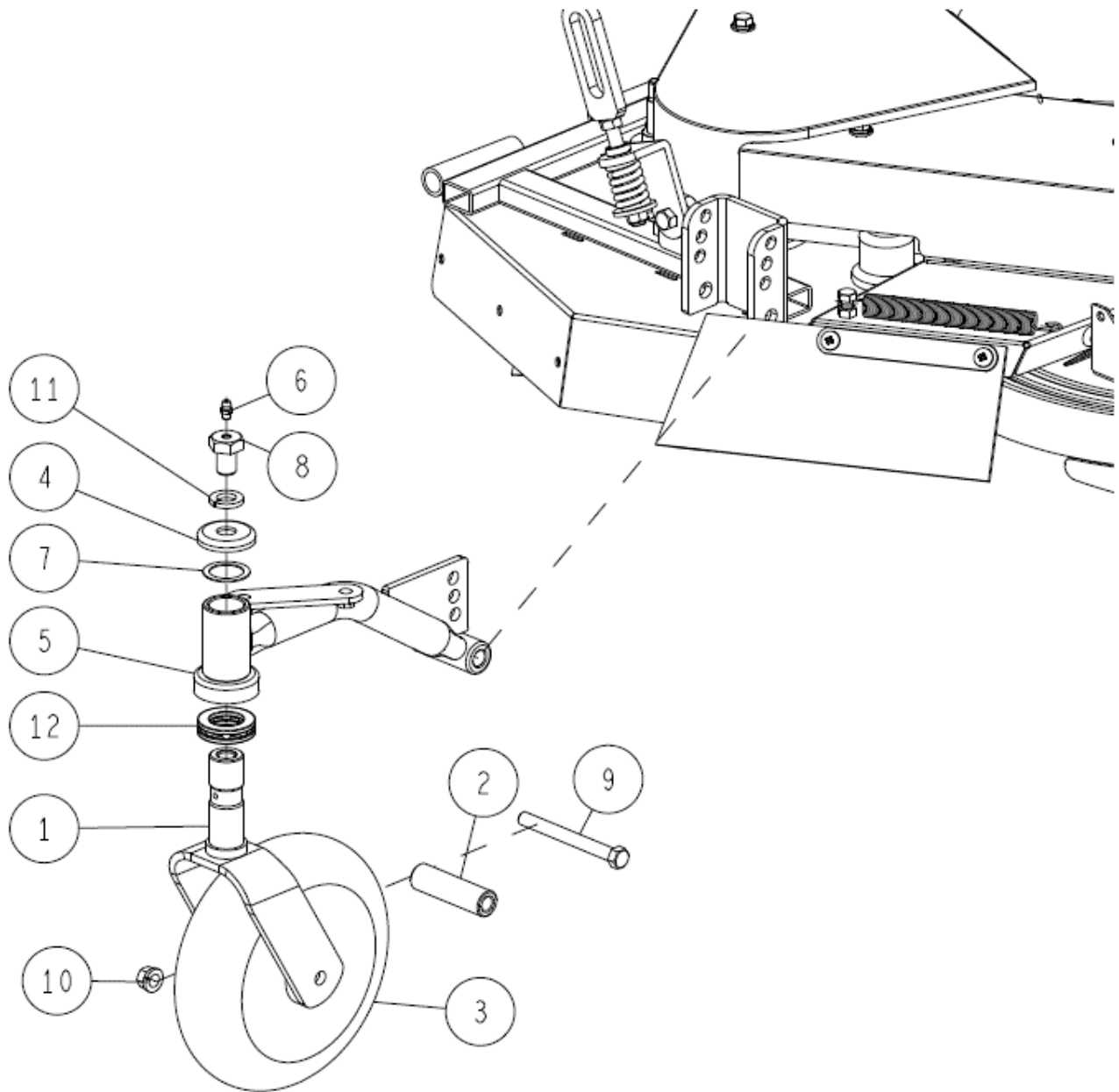
-	0244-78010	Knife & Blade Bolt Set RM85	1	1	1×2ヶ,3×4ヶ,8×2ヶ,10×2ヶ,11×2ヶ
-	0244-78210	Knife Setting Bolt Set M14	2	2	3×2ヶ,8,10
15	89-1750-200002	Spring Washer 20	1	1	
14	89-1750-120002	Spring Washer 12	3	3	
13	83-1483-175-00	Bag Nut M20 (Lock)	1	1	
12	83-1483-129-00	Mini Hexagonal Bolt (8T) M12*30	2	2	
11	0244-89100	Brade RM85	2	2	
10	0244-74600	Hard Lock Nut M14	2	2	上下セットで1個
9	0244-5210H	Knife Neck Guard (Metallic Grey)	1	1	
8	0244-51800	Nut Guard 14	2	2	
7	0238-5110H	Knife Bracket (Metallic Grey)	1	1	
6	0221-76300	Hexagonal Bolt (Meck) M12*35	1	1	
5	0221-76100	Washer 12*40*6	1	1	
4	0221-4010H	Knife pulley A (Metallic Gray)	1	1	
3	0207-50200	Knife Setting Bolt M14*34	2	2	
2	80-1493-817-10	Knife Stay (RM90V)	1	1	
1	80-1483-818-00	Knife Collar	2	2	
No	Parts No	Parts Name	RMK151	RMK150A	Remaks
			Qty		



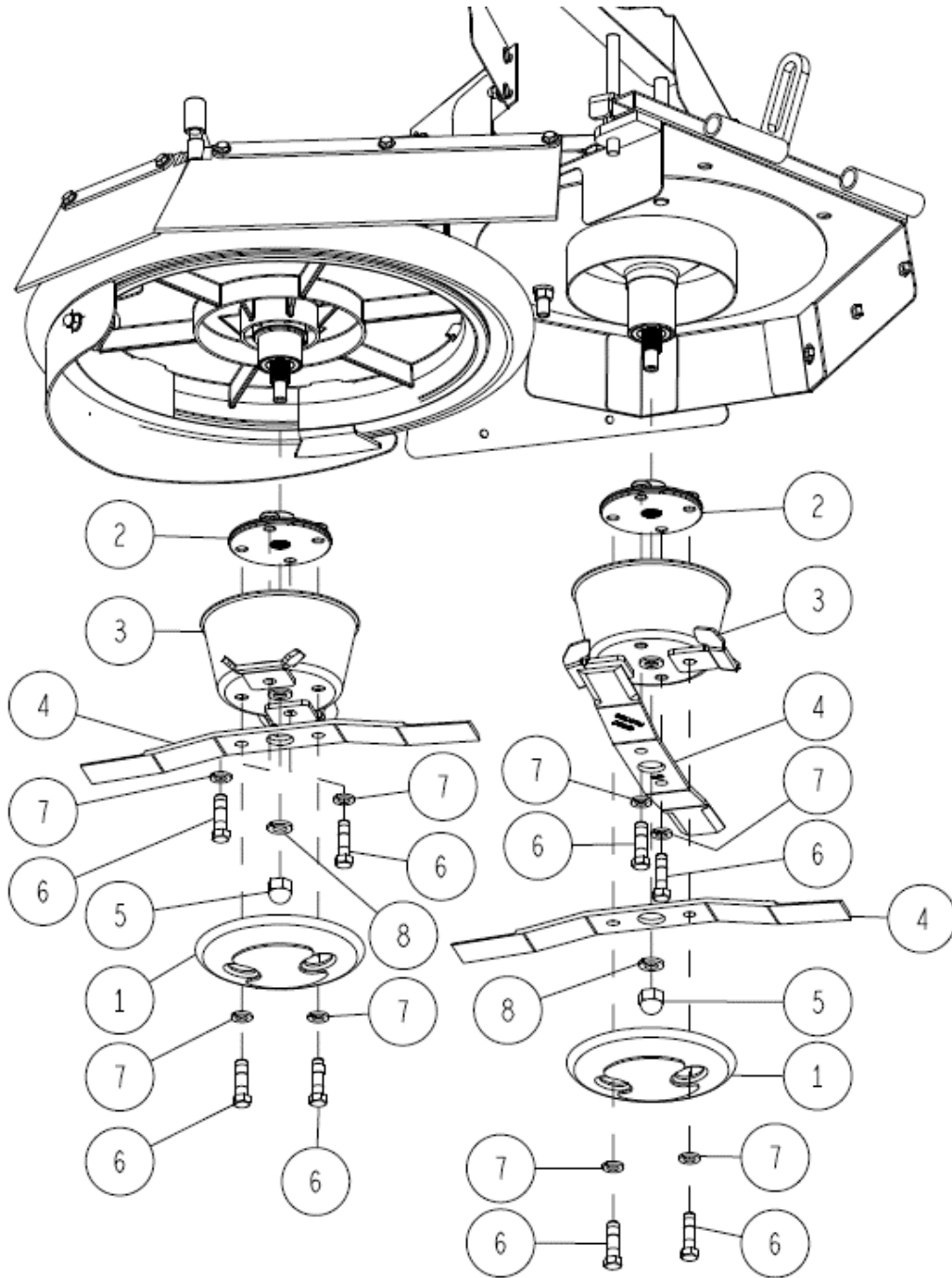
7	89-5121-406212	Oil Seal UE 40.62.12	1	1	
6	89-5121-356210	Oil Seal UE 35.62.10	1	1	
5	89-3115-060074	Bearing 6007 2RS	2	2	
4	89-2512-000620	Snap Ring (R62)	2	2	
3	0349-5010H	Safety cover CMP (Metallic Grey)	1		
	0349-50103	Safety cover CMP gray		1	
2	0262-50100	Dust Plate	1	1	
1	0221-50110	Vertical Shaft (A)	1	1	
No	Parts No	Parts Name	RMK151	RMK150A	Remaks
			Qty		



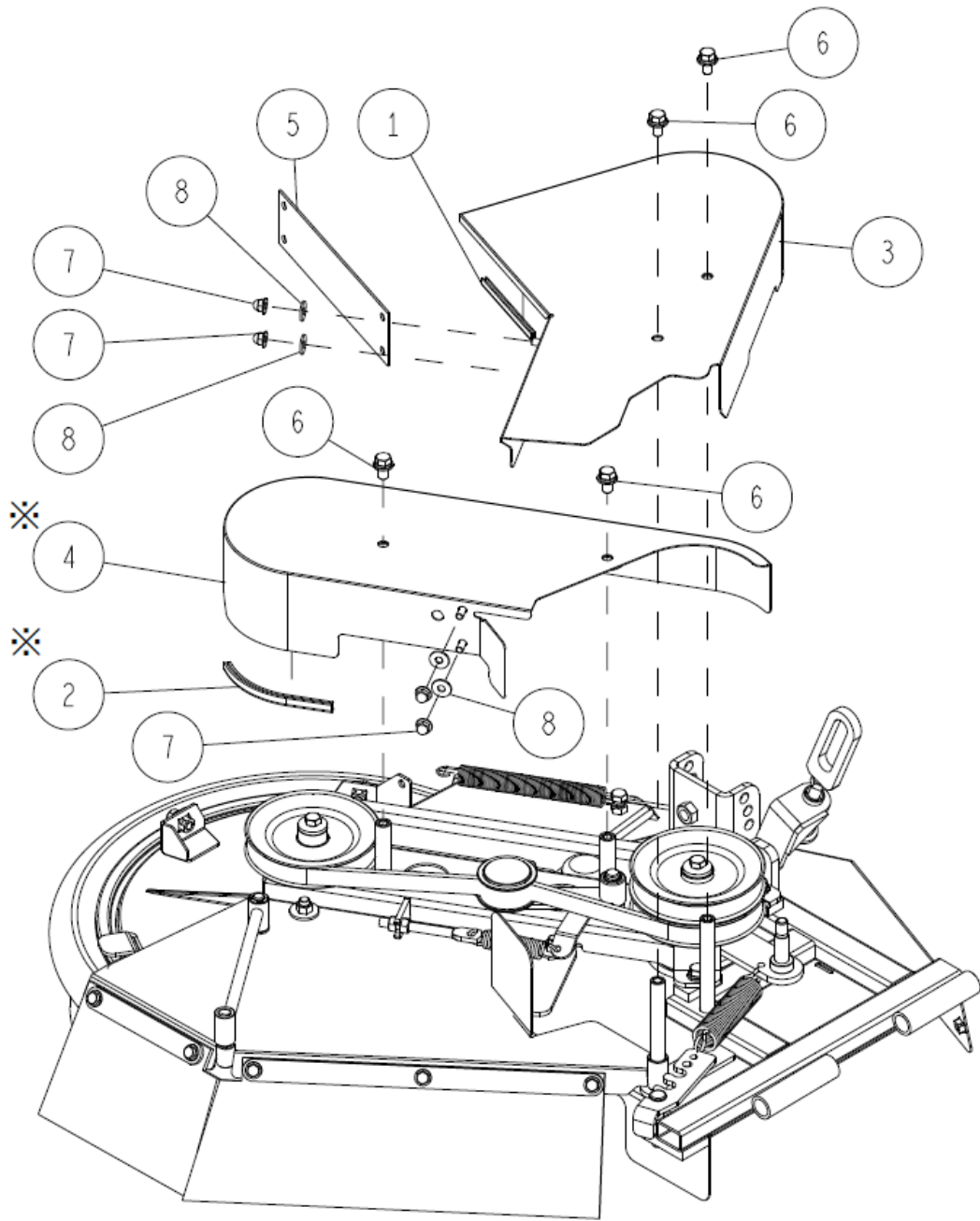
10	89-2181-100802	Flat Head Pin 10*80	1	1	
9	89-2131-100002	Snap Pin 10	1	1	
8	89-1714-100002	Flat Washer 10	1	1	
7	89-1611-100042	Mini Hexagonal Nut M10	1	1	
6	89-1551-120002	Hexagonal U Nut M12	1	1	
5	89-1213-100357	Mini Hexagonal Bolt (8T) M10*35	1	1	
4	89-1137-060172	Hexagonal Bolt (PW) M6*17	3	3	
3	89-1111-120952	Hexagonal Bolt M12*95	1	1	
2	0303-61400	Offset Flapper (B)	1	1	
1	0303-5610H	Flapper presser B-1	1	1	
No	Parts No	Parts Name	RMK151	RMK150A	Remaks
			Qty		



12	89-3370-051105	Thrust Bearing 51105	1	1	
11	89-1750-140002	Spring Washer 14	1	1	
10	89-1543-100002	Mini Hexagonal Nut (SW) M10	1	1	
9	89-1211-100952	Mini Hexagonal Bolt M10*95	1	1	
8	84-1783-791-00	Grease Nipple Bolt M14	1	1	
7	83-1783-376-00	Thrust Washer 25*34*1.0	1	1	
6	83-1415-975-00	Grease Nipple M6	1	1	
5	0329-54302	Front tire BK CMP red	1	1	
4	0256-60700	Dust Cover	1	1	
3	80-1614-727-00	Front Wheel	1	1	
2	80-1614-726-00	Front Wheel Collar	1	1	
1	80-1614-725-22	Front Wheel Fork CMP red	1	1	
No	Parts No	Parts Name	RMK151	RMK150A	Remaks
			Qty		

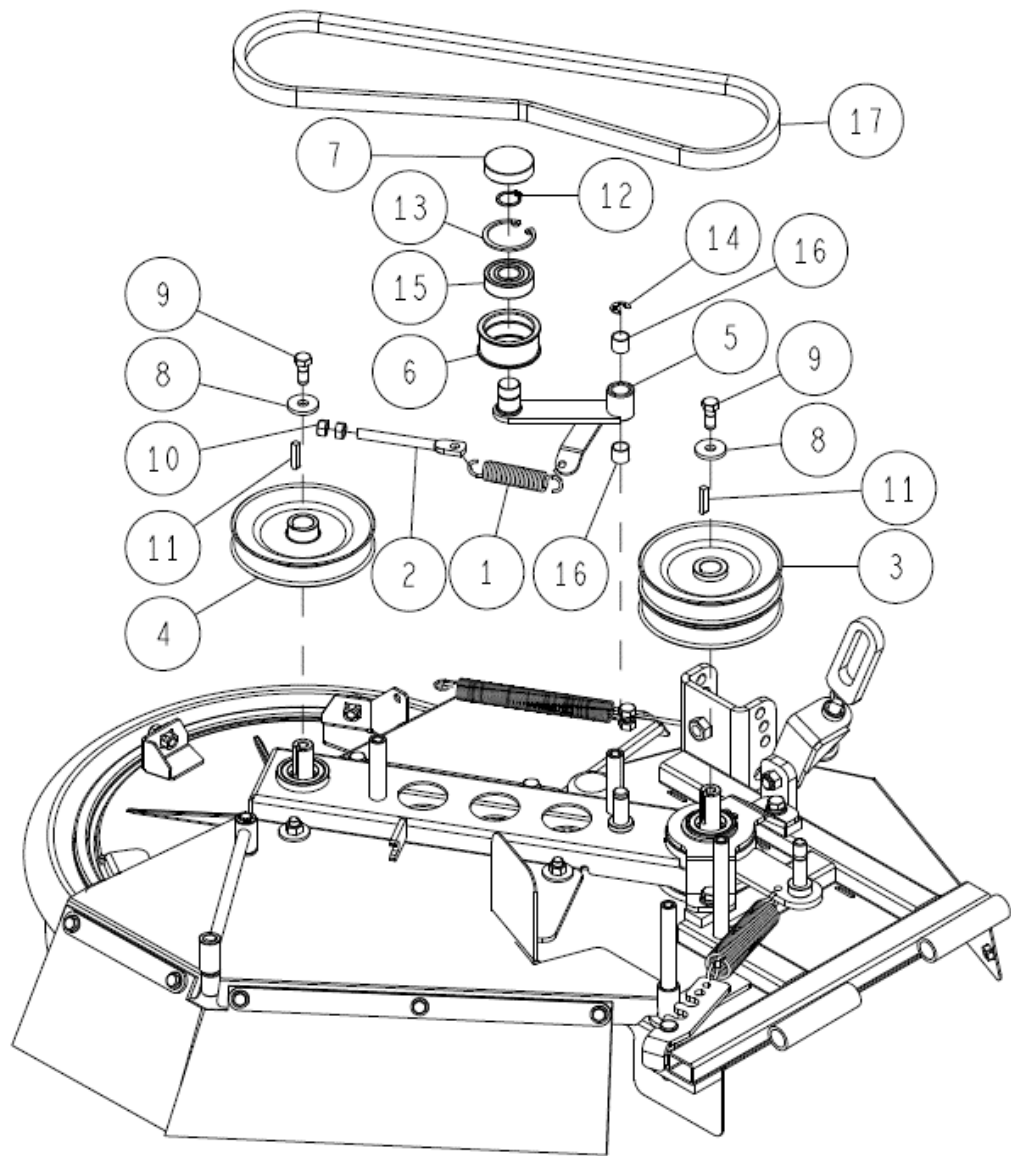


-	0329-72000	Blade & Blade Bolt Set	1	1	4 × 3ヶ, 6 × 6ヶ, 7 × 6ヶ
8	89-1750-120002	Spring Washer 12	2	2	
7	89-1750-100002	Spring Washer 10	8	8	
6	83-1610-125-00	Hexagonal Bolt (8T) M10*35	8	8	
5	83-1517-175-00	Mini Cap Nut M12	2	2	
4	0329-55600	Offset Blade (RMK150)	3	3	
3	0329-5550H	Knife neck guard COMP (Metallic Gray)	2	2	
2	0329-5540H	Knife bracket B (Metallic Gray)	2	2	
1	0329-5531H	Rotary disk COMP (Metallic Gray)	2	2	
No	Parts No	Parts Name	RMK151	RMK150A	Remaks
			Qty		

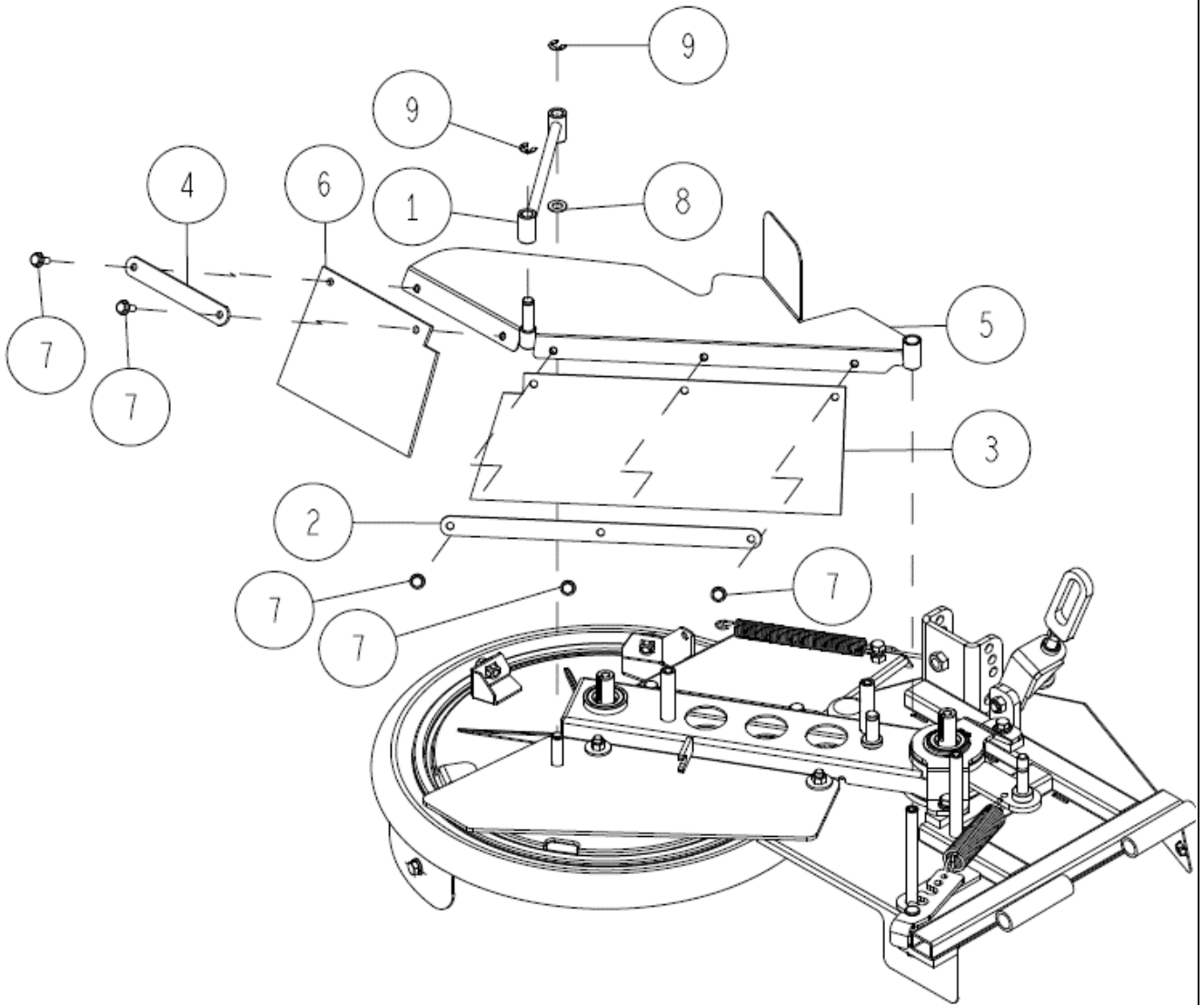


※ When ordering part ④, order part ② at the same time and glue it with

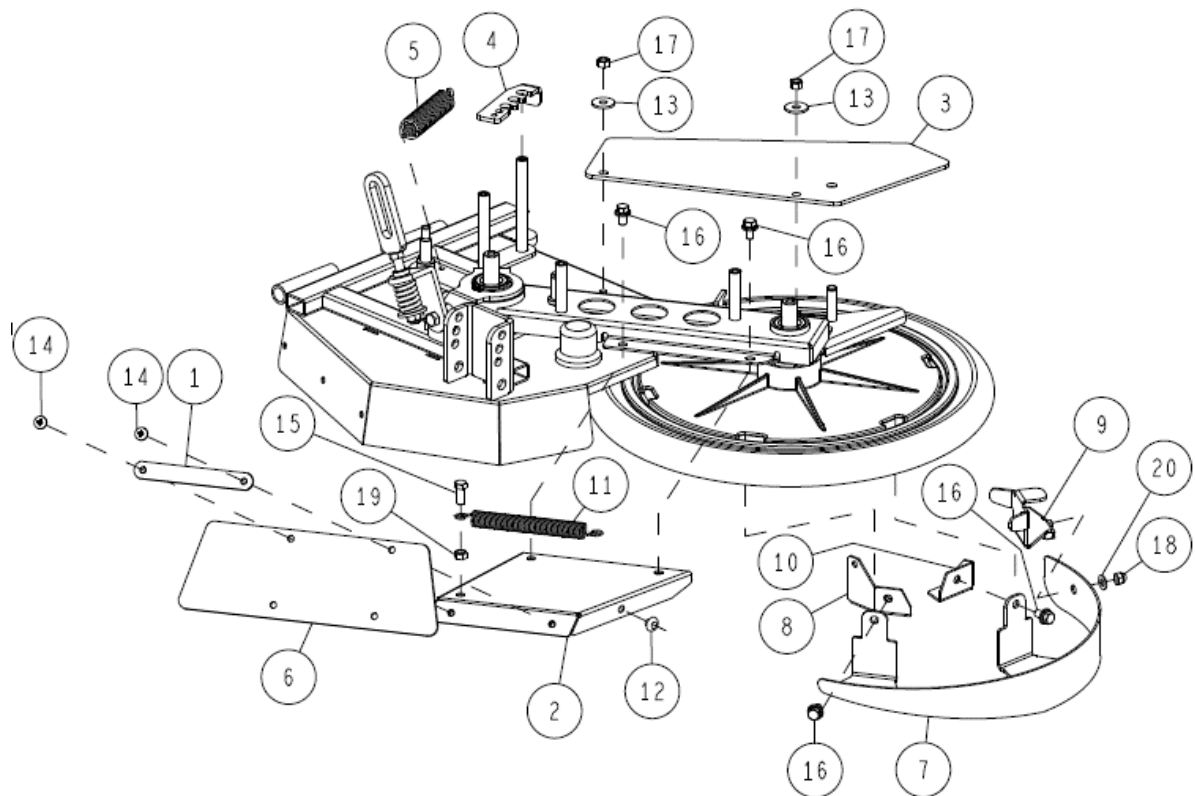
8	89-1713-060002	Flat Washer 6 (Large)	4	4	
7	89-1581-060042	Flange Cap Nut M6	4	4	
6	89-1233-080162	Mini Hexagonal Bolt (PWSW) M8*16	4	4	
5	0329-57700	Belt Cover Rubber	1	1	
4	0329-53701	Belt cover C CMP white	1	1	※Order together with 2
3	0329-53501	Belt cover B CMP white	1	1	
2	0301-60400	Rubber 110L	1	1	※Attach to 4 with Glue
1	0223-71500	Rubber L92	1	1	
No	Parts No	Parts Name	RMK151	RMK150A	Remaks
			Qty		



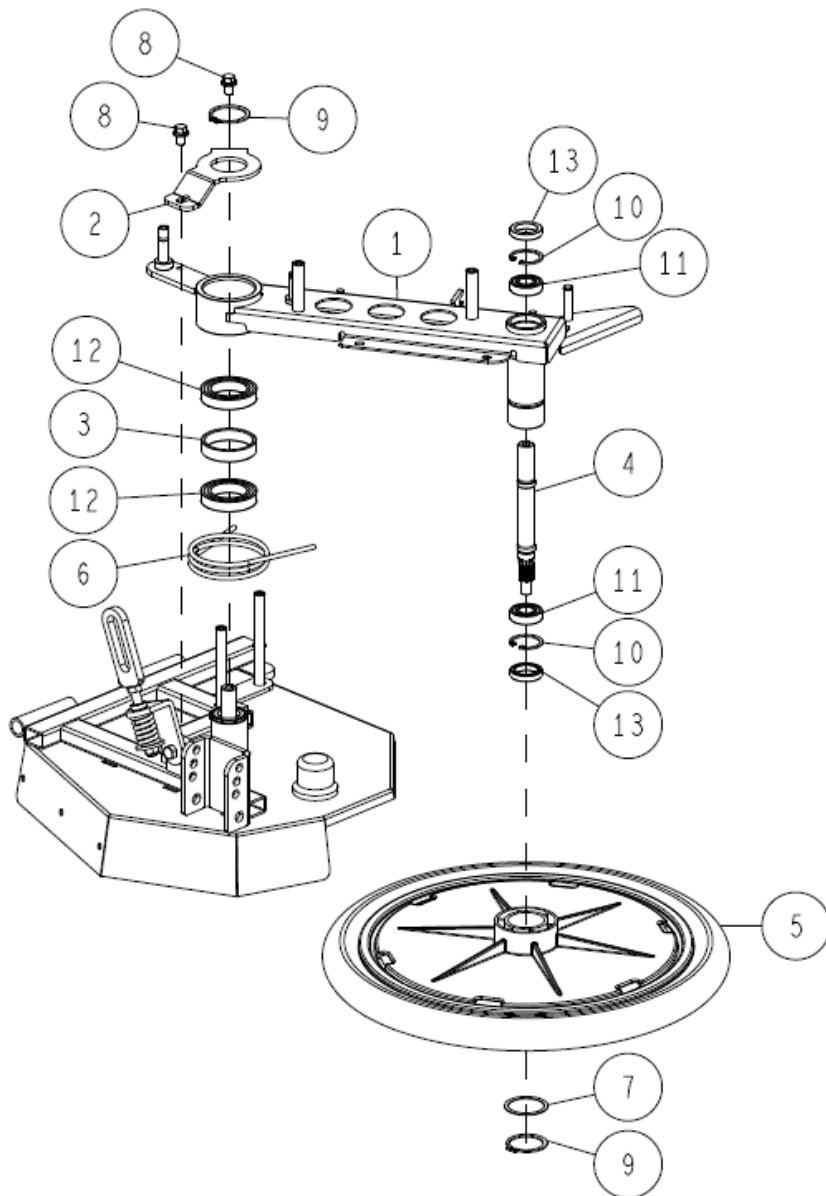
17	89-6123-004002	V Belt SB-40 (W800)	1	1	
16	89-3510-012120	DU Bush 12.12	2	2	
15	89-3115-062034	Bearing 6203 2RS	1	1	
14	89-2521-000083	E Type Ring 8	1	1	
13	89-2512-000400	Snap Ring (R40)	1	1	
12	89-2511-000170	Snap Ring (S17)	1	1	
11	89-2151-050250	Key 5*25 (half round)	2	2	
10	89-1611-080042	Mini Hexagonal Nut M8	2	2	
9	83-1761-112-00	Hexagonal Bolt (Meck) M8*20	2	2	
8	83-1751-312-00	Washer 8*25*3.2	2	2	
7	0225-70800	Blind Cover 40	1	1	
6	0221-41400	Tension Pulley (C)	1	1	
5	0221-4130H	Tension arm C COMP (Metallic Gray)	1	1	
4	0221-4030H	Knife pulley C (Metallic Gray)	1	1	
3	0221-4020H	Knife pulley B (Metallic Gray)	1	1	
2	0207-72300	Tension Adjuster	1	1	
1	0201-52700	Tension Spring for Blade	1	1	
No	Parts No	Parts Name	RMK151	RMK150A	Remaks
			Qty		



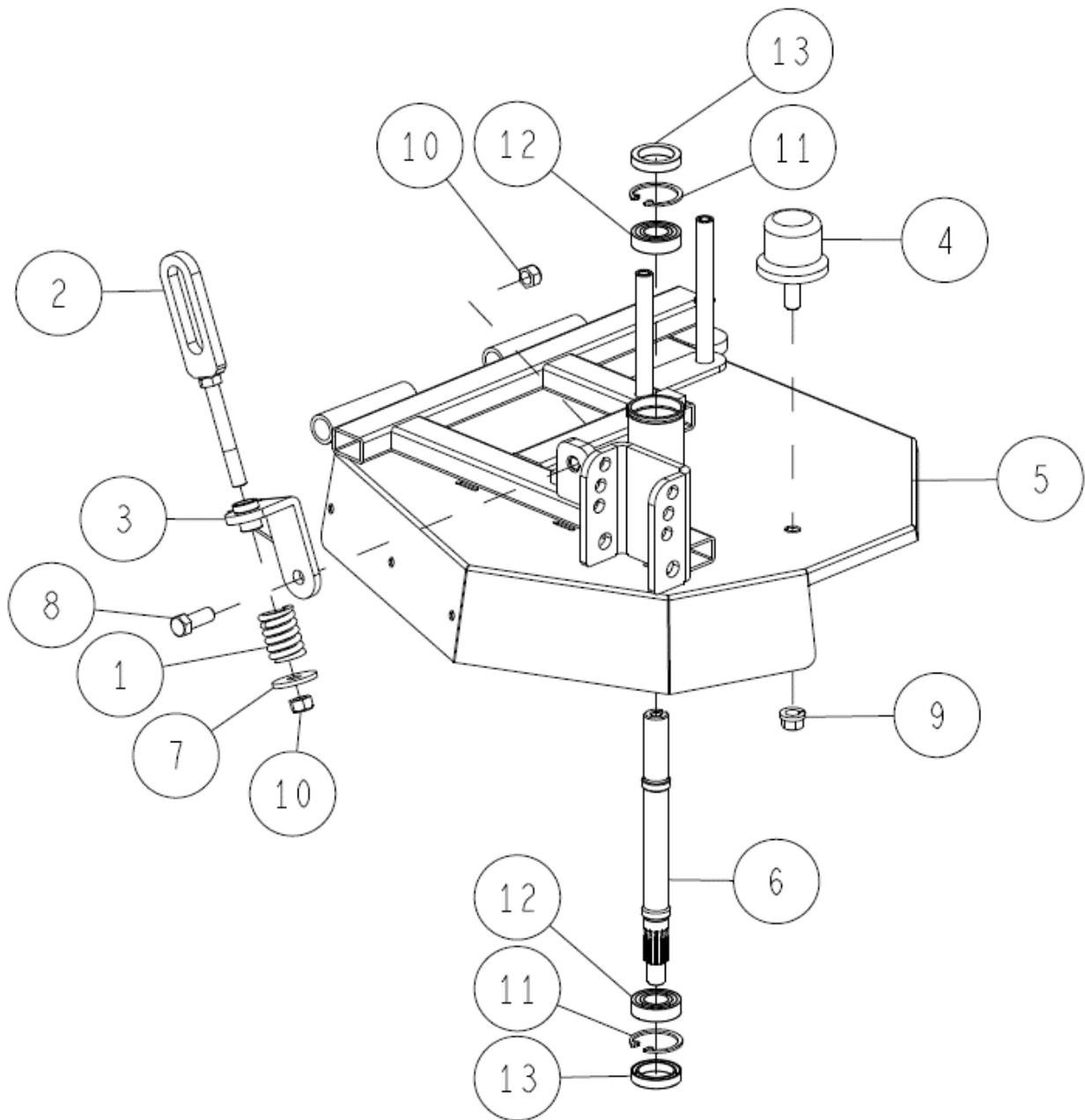
9	89-2521-000080	E Type Ring 8	2	2	
8	89-1711-100002	Flat Washer 10*18*1.6	1	1	
7	89-1137-060172	Hexagonal Bolt (PW) M6*17	5	5	
6	0329-57900	Swing Side Flapper (RMK150)	1	1	
5	0329-5270H	Swing cover CMP (Metallic Grey)	1		
	0329-52703	Swing cover CMP gray		1	
4	0308-5040H	Side flapper setting (Metallic Grey)	1	1	
3	0303-57800	Swing Flapper	1	1	
2	0303-5650H	Flapper presser C-2	1	1	
1	0303-5260H	Swing Arm CMP	1	1	
No	Parts No	Parts Name	RMK151	RMK150A	Remaks
			Qty		



20	89-1711-080002	Flat Washer 8	1	1	
19	89-1611-080042	Mini Hexagonal Nut M8	1	1	
18	89-1563-080003	Bag Hexagonal U Nut M8(UNI)	1	1	
17	89-1561-080002	Mini Hexagonal U Nut M8	2	2	
16	89-1233-080162	Mini Hexagonal Bolt (PWSW) M8*16	4	4	
15	89-1211-080202	Mini Hexagonal Bolt M8*20	1	1	
14	89-1159-060168	Truss Mini Screw M6*16	2	2	
13	83-1751-311-00	Flat Washer 8*25*2.3	2	2	
12	0927-71700	Rubber cap 10	1	1	
11	0329-62600	Cover return spring	1	1	
10	0329-62402	Cover stopper B CMP red	1	1	
9	0329-62302	Cover mounting stay red	1	1	
8	0329-62202	Cover stopper A CMP red	1	1	
7	0329-62102	Offset cover CMP red	1	1	
6	0329-57800	Swing Front Flapper (RMK150)	1	1	
5	0329-55900	Spring for Offset Return (P) (RMK150)	1	1	
4	0329-55700	Spring Hook Plate (RMK150)	1	1	
3	0329-53300	Cover (E) (RMK150)	1	1	
2	0329-5310H	Cover D CMP (Metallic Grey)	1		
	0329-53103	Cover D CMP gray		1	
1	0308-5040H	Side flapper setting(Metallic Grey)	1	1	
No	Parts No	Parts Name	RMK151	RMK150A	Remaks
			Qty		

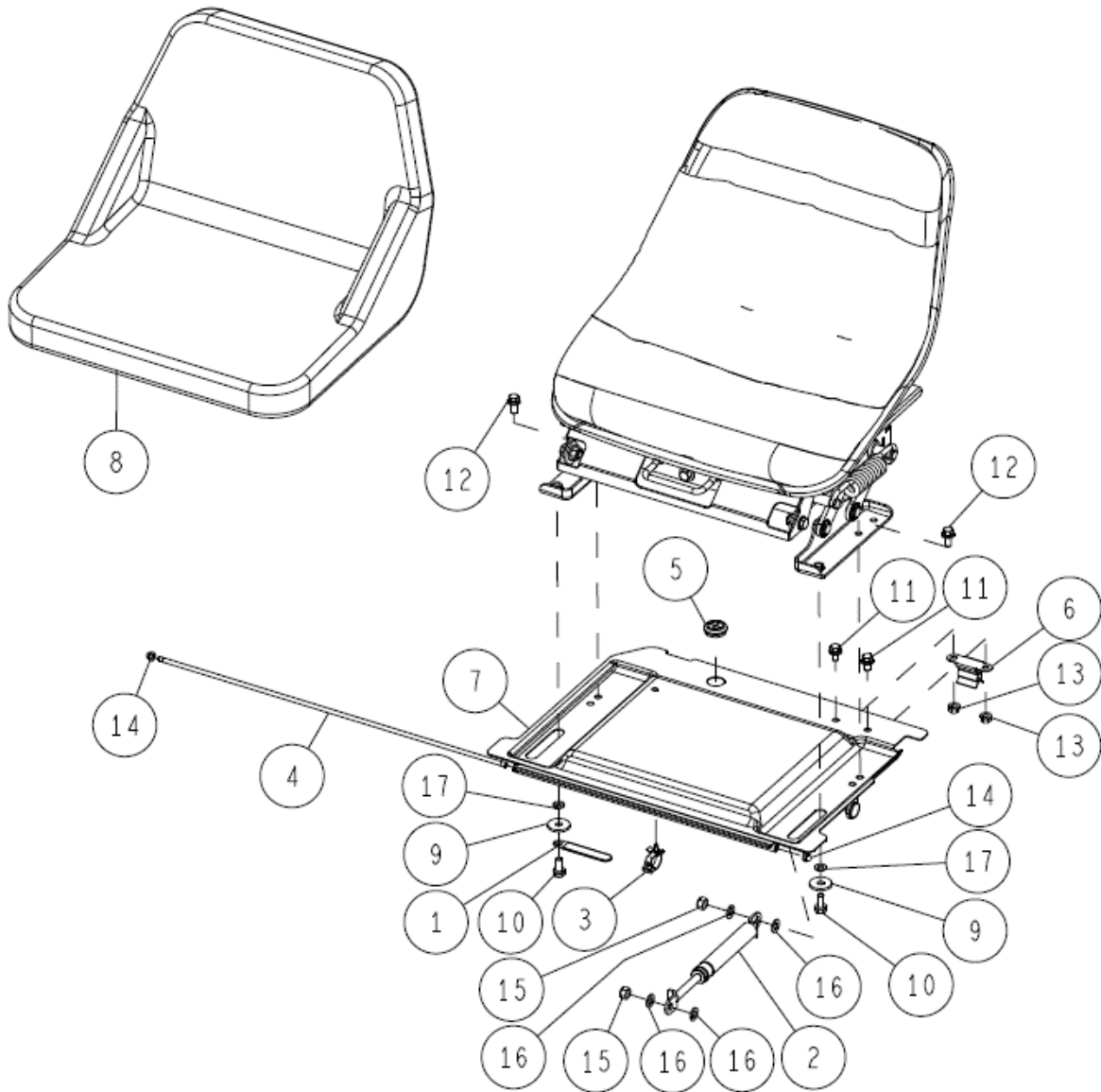


13	89-5121-253507	Oil Seal UE 25.35.7	2	2	
12	89-3115-069084	Bearing 6908 2RS	2	2	
11	89-3115-060034	Bearing 6003 2RS	2	2	
10	89-2512-000350	Snap Ring (R35)	2	2	
9	89-2511-000400	Snap Ring (S40)	2	2	
8	89-1233-080162	Mini Hexagonal Bolt (PWSW) M8*16	2	2	
7	83-1830-382-00	Thrust Washer 40*48*1.0	1	1	
6	0329-55800	Spring for Offset Return (RMK150)	1	1	
5	0329-55100	18 inch Tire (RMK150)	1	1	
4	0329-52400	Vertical Shaft (C) (RMK150)	1	1	
3	0329-51400	Holder Collar (RMK150)	1	1	
2	0329-5130H	Upper holder (Metallic Grey)	1		
	0329-51303	Upper holder gray		1	
1	0329-5070H	Cover C CMP (Metallic Grey)	1		
	0329-50703	Cover C CMP gray		1	
No	Parts No	Parts Name	RMK151	RMK150A	Remaks
			Qty		



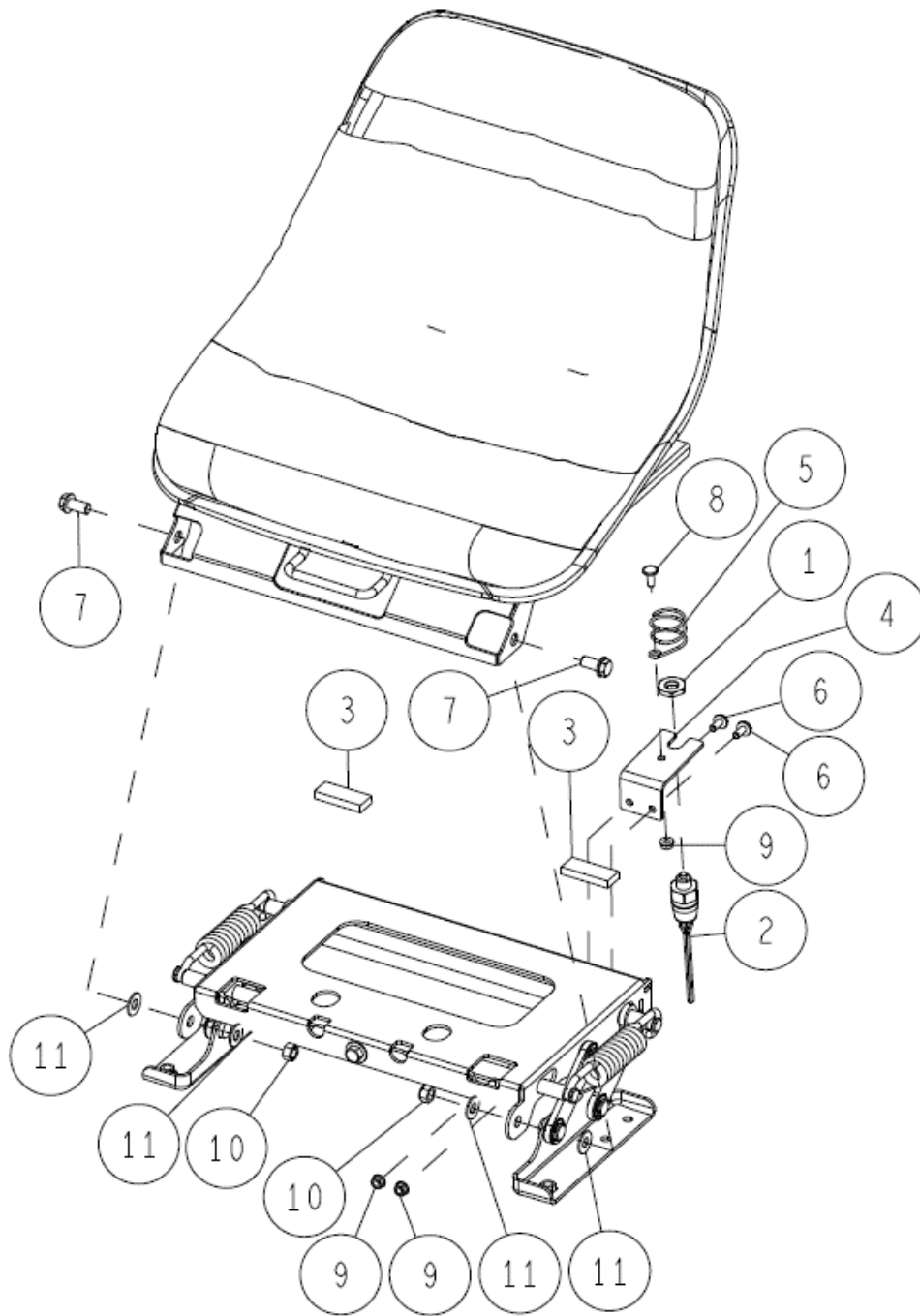
13	89-5121-253507	Oil Seal UE 25.35.7	2	2	
12	89-3115-060034	Bearing 6003 2RS	2	2	
11	89-2512-000350	Snap Ring (R35)	2	2	
10	89-1561-100002	Mini Hexagonal U Nut M10	2	2	
9	89-1543-100002	Mini Hexagonal Nut (SW) M10	1	1	
8	89-1213-100252	Mini Hexagonal Bolt (8T) M10*25	1	1	
7	83-1035-323-00	Washer 10*30*3.2	1	1	
6	0329-52200	Vertical Shaft (B) (RMK150)	1	1	
5	0329-5060H	Cover B CMP (Metallic Grey)	1		
	0329-50603	Cover B CMP gray		1	
4	0303-70300	Stopper Cushion Rubber	1	1	
3	0303-53603	Hanger stay CMP gray	1	1	
2	0303-53100	Hunger CMP	1	1	
1	0221-51200	Hunger Spring (A)	1	1	
No	Parts No	Parts Name	RMK151	RMK150A	Remaks
			Qty		

Seat Part 1/4



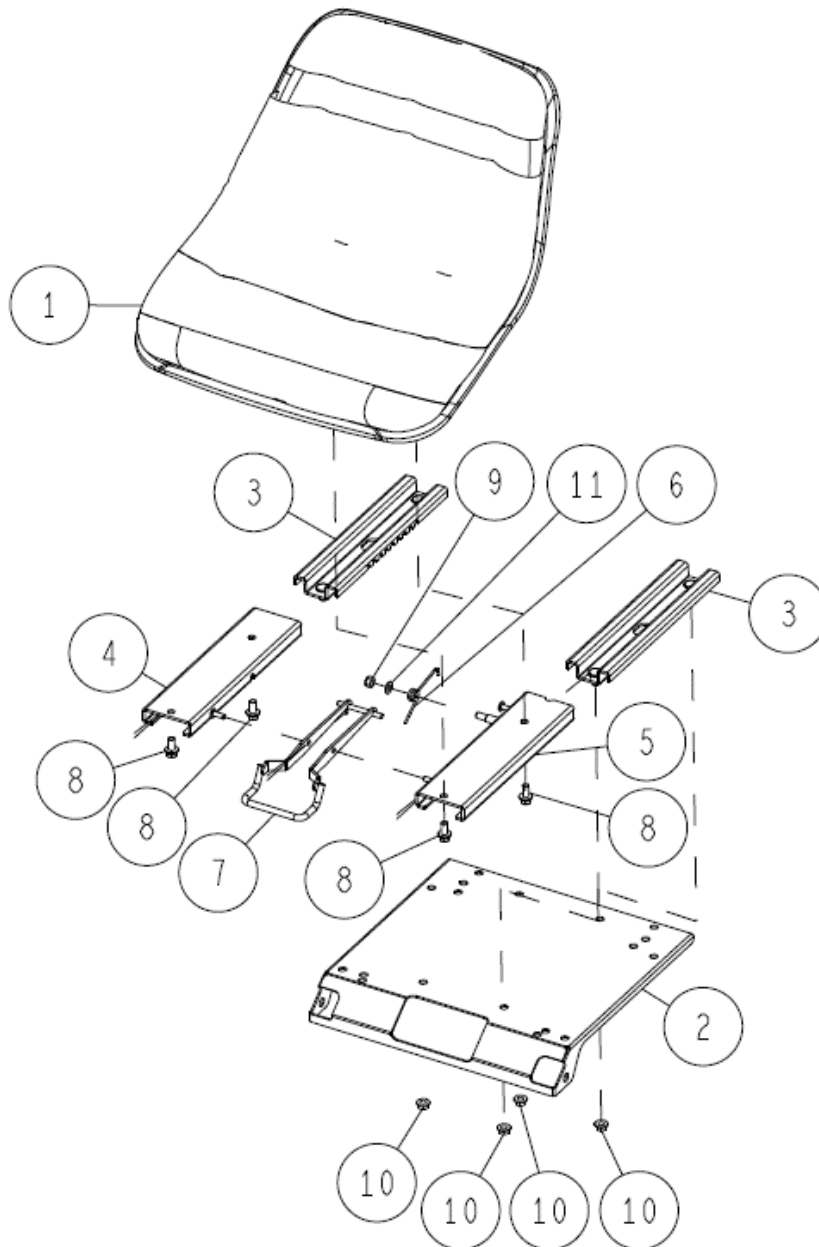
17	89-1750-080002	Spring Washer 8	2	2	
16	89-1711-100002	Flat Washer 10*18*1.6	4	4	
15	89-1561-100002	Mini Hexagonal U Nut M10	2	2	
14	89-1553-060002	Bag Hexagonal U Nut M6	2	2	
13	89-1543-080002	Mini Hexagonal Nut (SW) M8	2	2	
12	89-1233-080202	Mini Hexagonal Bolt (PWSW) M8*20	2	2	
11	89-1233-080162	Mini Hexagonal Bolt (PWSW) M8*16	2	2	
10	89-1232-080202	Mini Hexagonal Bolt (SW) M8*20	2	2	
9	83-1415-312-00	Washer 8*30*3.2	2	2	
8	0322-73100	Seat Cover (option)	1	1	
7	0322-2160G	Seat Bracket CMP (Green)	1		
	0322-21601	Seat Bracket CMP (white)	1(IA)	1	OR-IA
6	0312-70700	Bonnet Clip	1	1	
5	0244-73700	Grommet 24	1	1	
4	0244-22200	Seat Bracket Shaft	1	1	
3	0221-71900	Clip CT-339	1	1	
2	0207-72700	Gas Spring KMF 50-40	1	1	
1	80-1792-988-00	Harness Clip 8	1	1	
No	Parts No	Parts Name	RMK151 Qty	RMK150A	Remaks

Seat Part 2/4

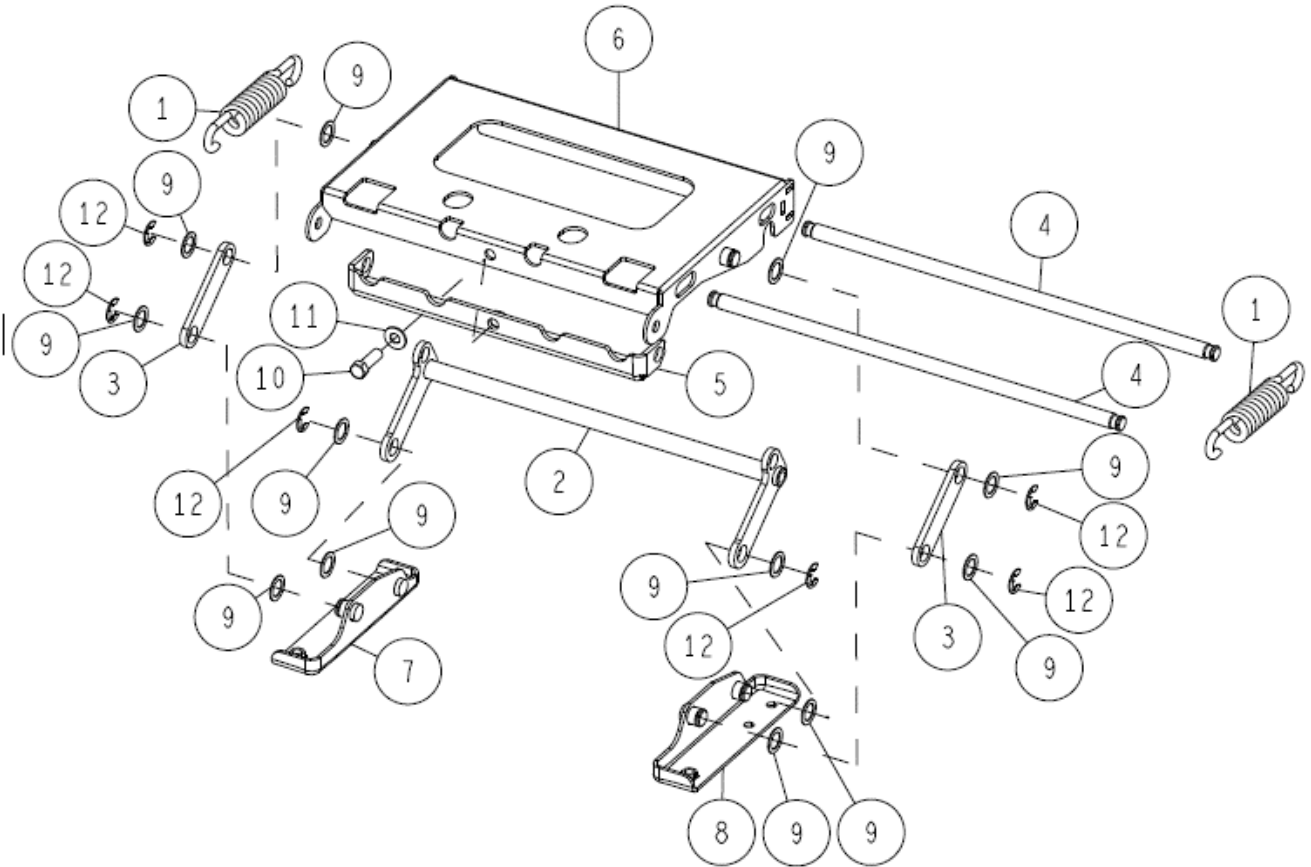


11	89-1714-100002	Flat Washer 10	4	4	
10	89-1561-100002	Mini Hexagonal U Nut M10	2	2	
9	89-1531-060042	Flange Nut M6	3	3	
8	89-1390-060162	Welded Bolt M6*16	1	1	
7	89-1253-100202	Flange Mini Hexagonal Bolt (8T) M10*20	2	2	
6	89-1137-060152	Hexagonal Bolt (PW) M6*15	2	2	
5	0341-21700	Seat Switch Spring	1	1	
4	0341-21600	Seat Switch Stay	1	1	
3	0312-22300	Rubber, Seat Spacer	2	2	
2	0207-74400	Safety Switch K17850	1	1	
1	0207-72800	Switch Lock Nut	1	1	
No	Parts No	Parts Name	RMK151	RMK150A	Remaks
			Qty		

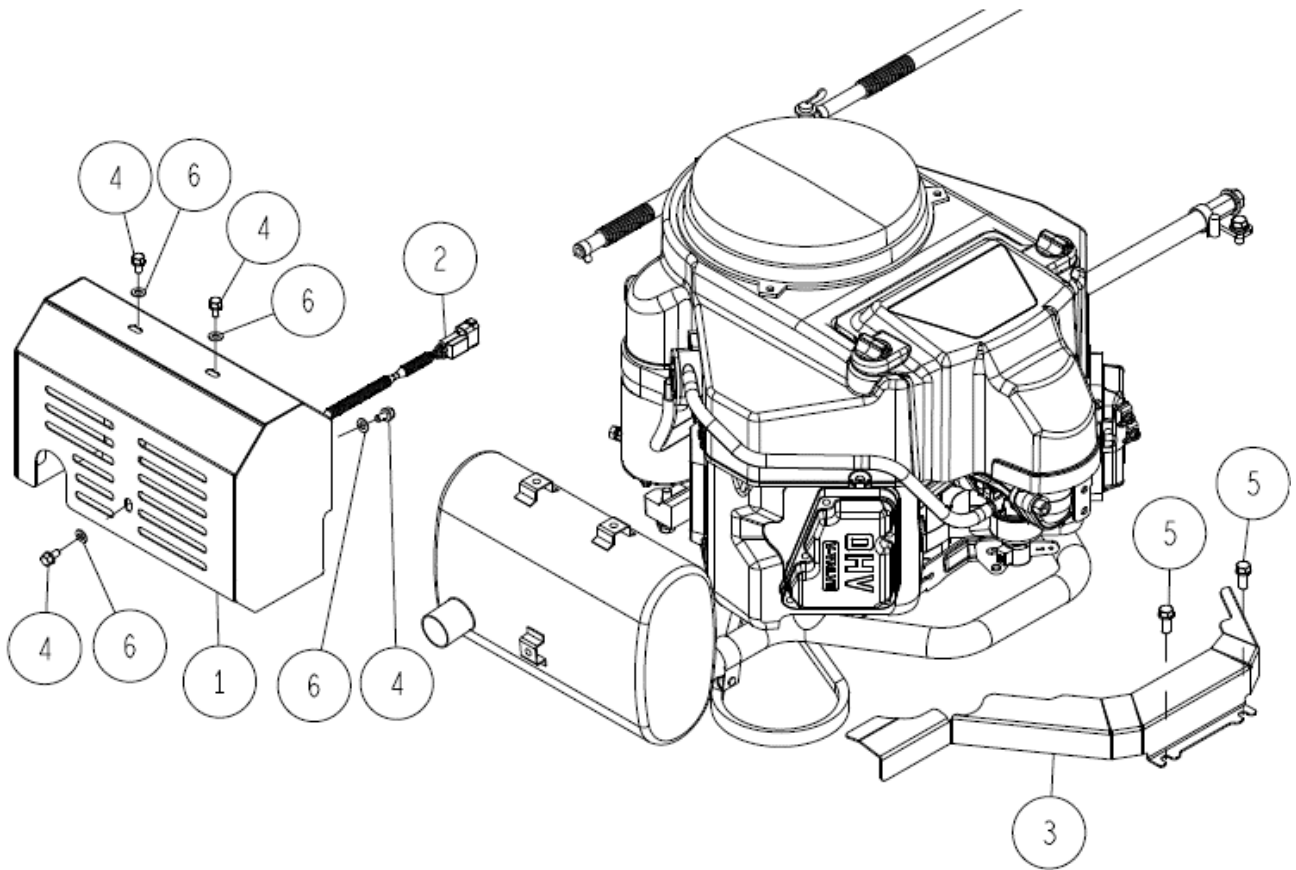
Seat Part 3/4



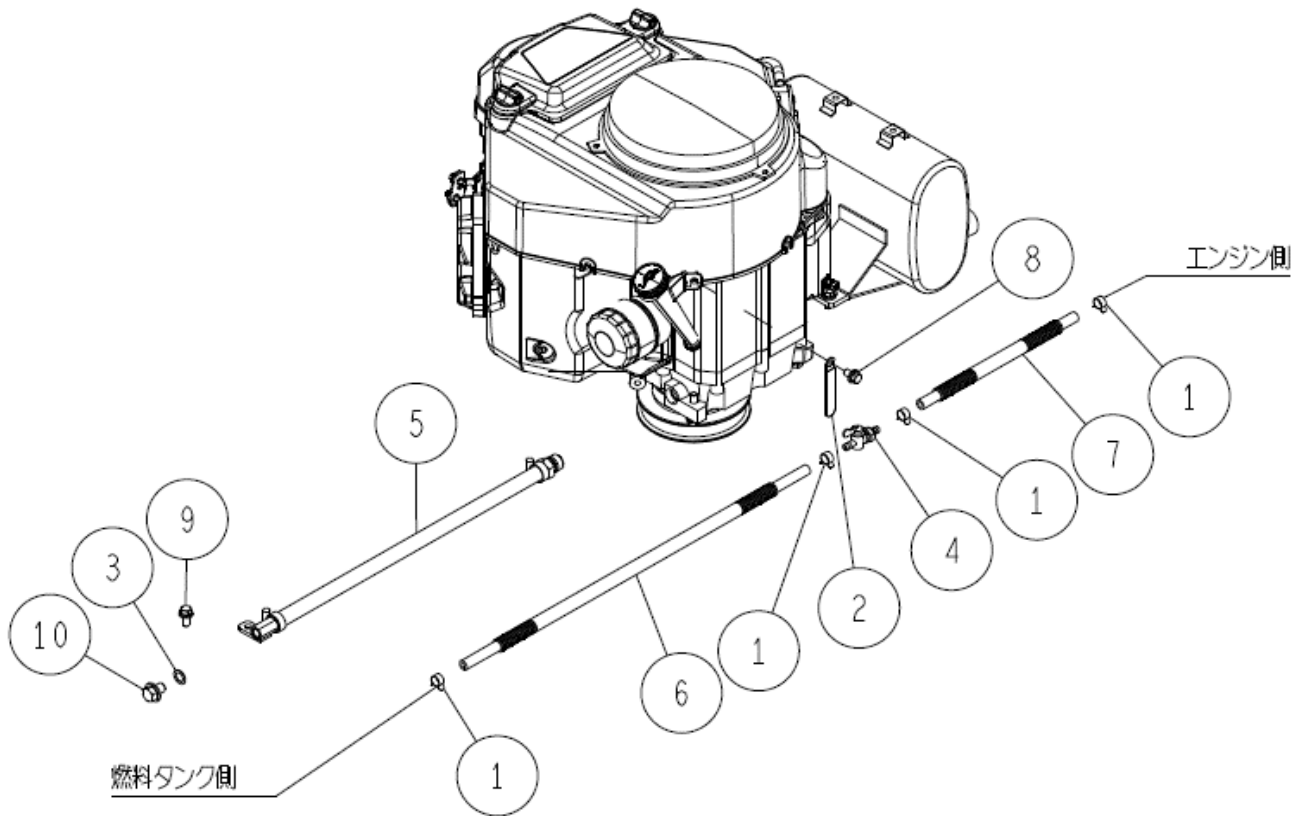
11	89-1711-080002	Flat Washer 8	1	1	
10	89-1631-080042	Flange Mini Hexagonal Nut M8	4	4	
9	89-1561-080002	Mini Hexagonal U Nut M8	1	1	
8	89-1233-080202	Mini Hexagonal Bolt (PWSW) M8*20	4	4	
7	0341-21803	Slide Lever CMP (Grey)		1	
	0341-21801	Slide Lever CMP (White)	1		
6	0341-21500	Seat Lever Spring	1	1	
5	0341-21403	Upper Slide (L) CMP (Grey)		1	
	0341-21401	Upper Slide (L) CMP (White)	1		
4	0341-21303	Upper Slide (R) CMP (Grey)		1	
	0341-21301	Upper Slide (R) CMP (White)	1		
3	0341-21203	Lower Slide CMP (Grey)		2	
	0341-21201	Lower Slide CMP (White)	2		
2	0341-21101	Seat Receiver CMP (White)	1	1	
1	0284-78100	Seat K4 (Black)	1	1	
No	Parts No	Parts Name	RMK151	RMK150A	Remaks
			Qty		



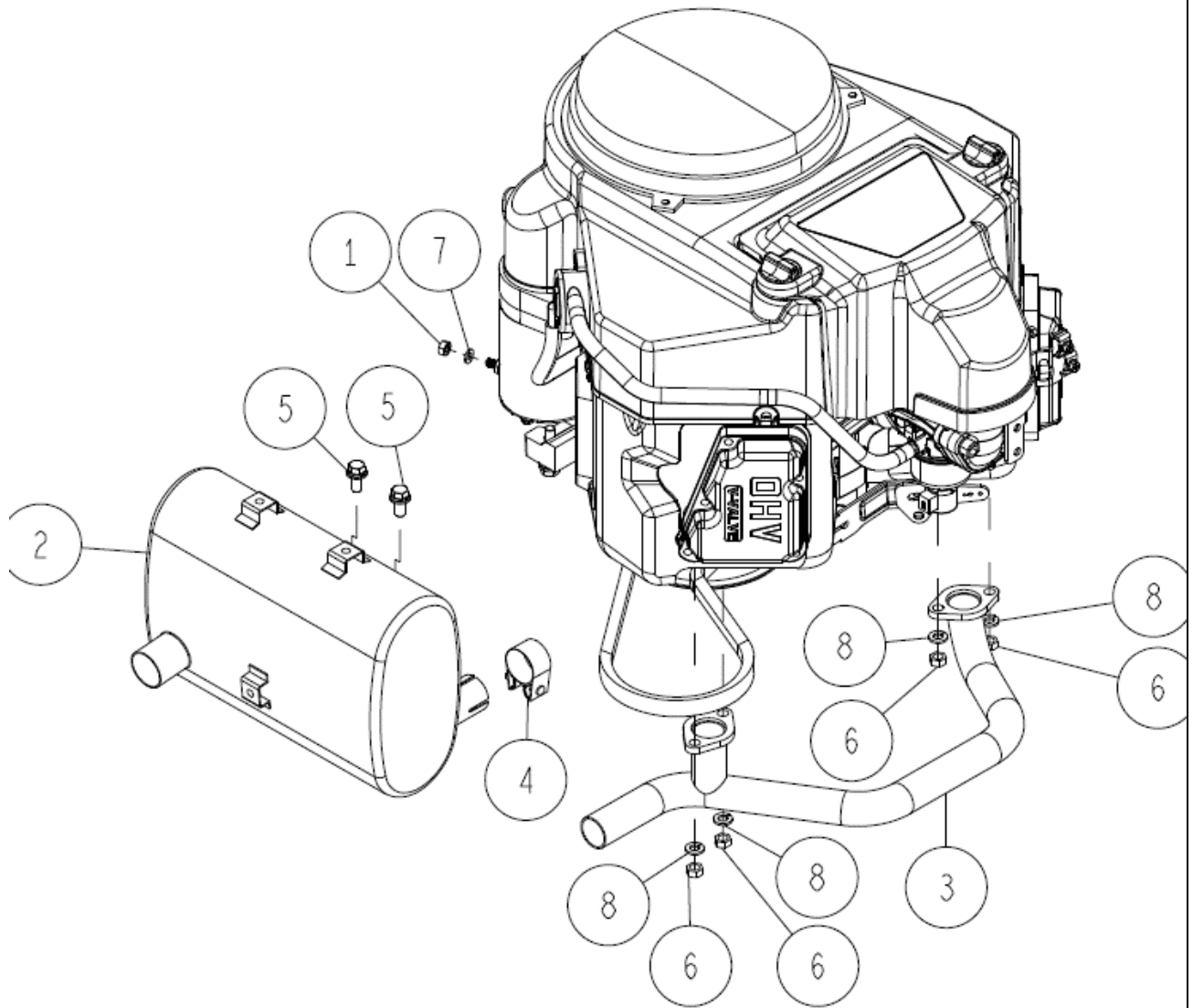
12	89-2521-000120	E Type Ring 12	6	6	
11	89-1714-100002	Flat Washer 10	1	1	
10	89-1211-100302	Mini Hexagonal Bolt M10*30	1	1	
9	83-1020-363-00	Thrust Washer 16*24*1.0	12	12	
8	0348-2120G	Link Upper Bracket (L) CMP (Green)	1		OR
	0348-21201	Link Upper Bracket (L) CMP (Grey)	1	1	IA,OR
7	0348-2110G	Link Upper Bracket (R) CMP (Green)	1		OR
	0348-21101	Link Upper Bracket (R) CMP (Grey)	1	1	IA,OR
6	0341-21901	Link Upper Bracket CMP (White)	1	1	
5	0312-22101	Spring Shaft Hook CMP (White)	1	1	
4	0312-21800	Spring Shaft	2	2	
3	0312-21701	Seat Parallel Link (B) (White)	2	2	
2	0312-21601	Parallel Seat Link CMP (White)	1	1	
1	0244-71200	Spring for Seat Link	2	2	
No	Parts No	Parts Name	RMK151	RMK150A	Remaks
			Qty		



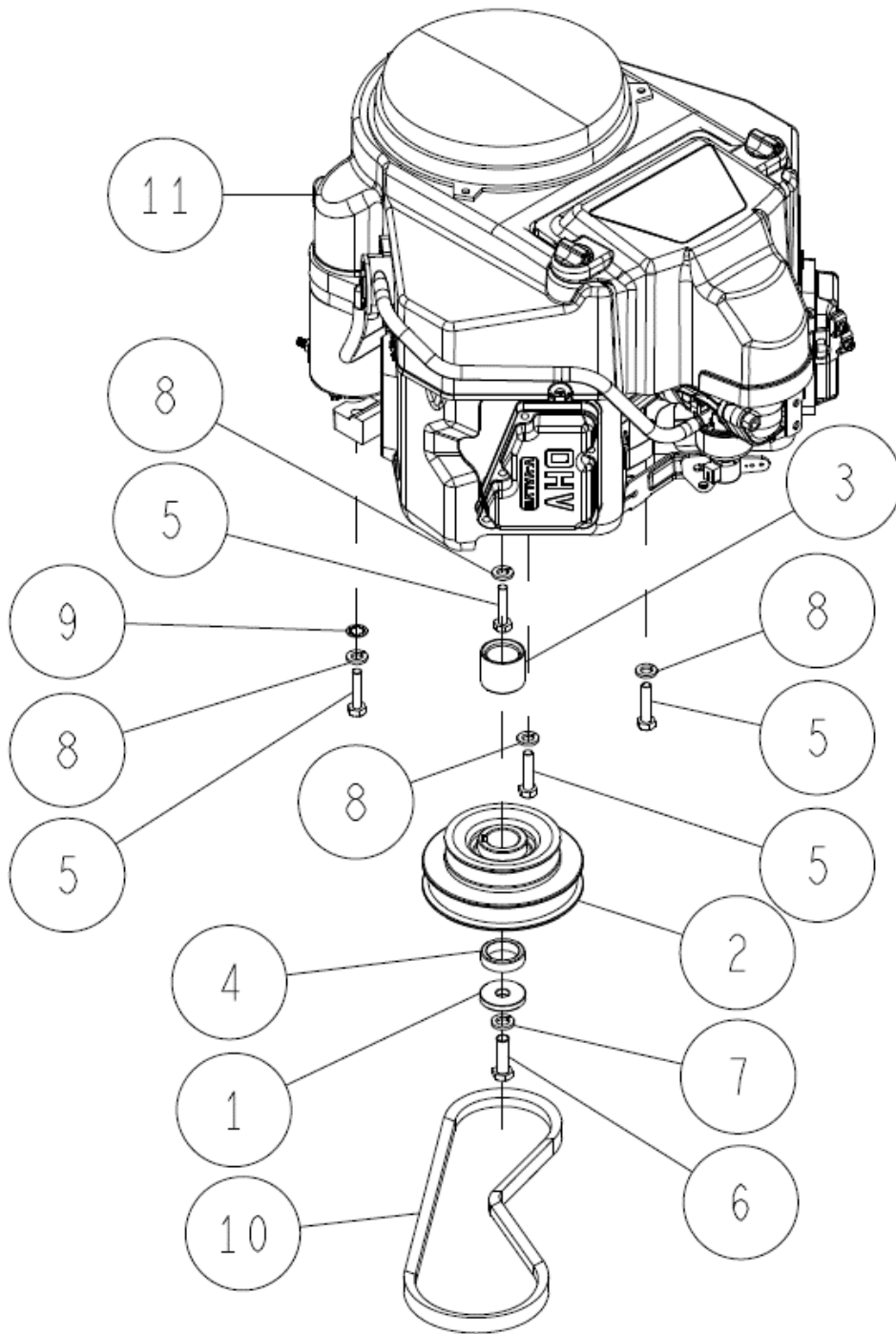
6	89-1711-060002	Flat Washer 6	4	4	
5	89-1232-080202	Mini Hexagonal Bolt (SW) M8*20	2	2	
4	89-1132-060122	Hexagonal Bolt (SW) M6*12	4	4	
3	0329-40600	Exhaust Pipe Cover (RMK150)	1	1	
2	0312-77300	Harness (K)	1	1	
1	0312-40500	Muffler Cover CMP	1	1	
No	Parts No	Parts Name	RMK151	RMK150A	Remaks
			Qty		



-	0322-74000	Fuel Cock Assy (K)	1	1	1×2ヶ、4、7
-	0322-72500	Fuel Hose 270L & Clip	1	1	1×2ヶ、7
-	0322-72400	Fuel Hose 600L & Clip	1	1	1×2ヶ、6
10	89-1251-120152	Flange Mini Hexagonal Bolt M12*15	1	1	
9	89-1233-080202	Mini Hexagonal Bolt (PWSW) M8*20	1	1	
8	89-1233-080162	Mini Hexagonal Bolt (PWSW) M8*16	1	1	
7	0322-70500	Fuel Hose 270L	1	1	
6	0322-70400	Fuel Hose 600L	1	1	
5	0312-44100	Oil Drain Assy (K)	1	1	リングP16 付属
4	0244-74500	Fuel Cock	1	1	
3	0207-74900	Copper Packing 12.5*19*1.0	1	1	
2	80-1792-988-00	Harness Clip 8	1	1	
1	80-1483-988-00	Hose Clip 17	4	4	
No	Parts No	Parts Name	RMK151	RMK150A	Remarks
			Qty		



8	89-1750-080002	Spring Washer 8	4	4	
7	89-1750-060002	Spring Washer 6	1	1	
6	89-1611-080042	Mini Hexagonal Nut M8	4	4	
5	89-1233-080202	Mini Hexagonal Bolt (PWSW) M8*20	2	2	
4	0312-70500	Muffler Band	1	1	
3	0312-40200	Exhaust Pipe CMP (FS641)	1	1	
2	0312-40100	Muffler	1	1	
1	0207-76300	Nut UNF 1/4	1	1	
No	Parts No	Parts Name	RMK151	RMK150A	Remaks
			Qty		



11	9021-0110	Kawasaki Engine FS641V-BG81	1	1	
10	89-6123-003202	V Belt SB-32 (W800)	1	1	
9	89-1812-100002	Toothed washer (inside) 10	1	1	
8	89-1750-100002	Spring Washer 10	4	4	
7	83-1493-300-00	Spring Washer 7/16	1	1	
6	83-1437-115-00	Hexagonal Bolt (8T) UNF7/16*35	1	1	
5	0312-42100	Hexagonal Bolt (8T) UNC 3/8-16*38	4	4	
4	0244-41200	Sub Engine Collar (21HP)	1	1	
3	0244-41100	Engine Collar	1	1	
2	0221-40400	Engine Pulley	1	1	
1	80-1487-516-00	Washer 11*40*6	1	1	
No	Parts No	Parts Name	RMK151	RMK150A	Remaks
			Qty		

0342-70500 ステップロゴマーク

0342-70400 フロントロゴマーク

0289-72110 エンジンオイルラベル

0294-72910 エンジン注意ラベル

0310-76110 エンジンメンテラベル

0349-73100 型式マーク(RMK151)

0308-75310 RM警告(一般)ラベル

0342-70700 サイドカウルマーク LR

0262-81210 RM警告(作業)ラベル

0334-80910 公道乗車禁止ラベル(小)

0322-77110 メンテラベル(683.953)

0342-71200 キーラベル

0342-71300 シートパネ調整ラベル

0342-71500 ハンドルマーク

0349-73200 刈高ラベル(国内)(OR)

機番

0341-73500 コントロールラベル

0328-74600 注意ラベル

0322-77810 3点ヒューズBOXラベル

RABBIT POWER

0343-70400 燃料タンクカバートップマーク

0328-74600 注意ラベル

0329-77510 チョークマーク

0334-71800 ナイフ警告ラベル

0342-71100 油量1.0ラベル

0328-74600 注意ラベル

0349-73300 幹周刈ラベル

0329-76110 オフセット警告ラベル

0215-70410 走行クワチラベル

0322-77900 反射ラベル

0238-71200 点検実施ラベル

保管袋の中へ

