

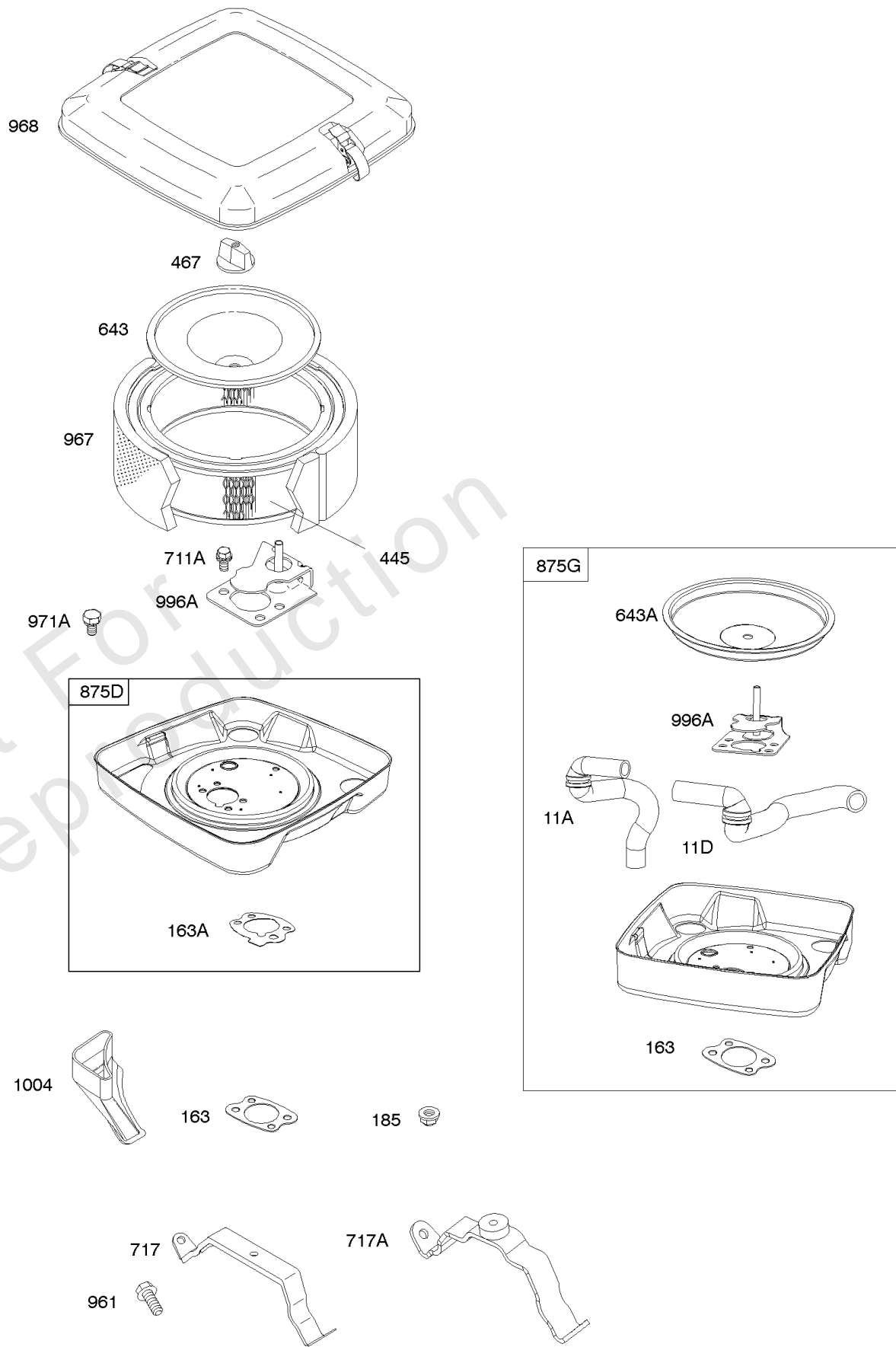


Parts Manual

Mfg. No: 295777-0002-B1

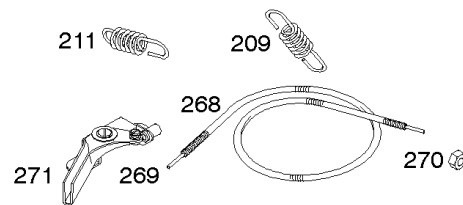
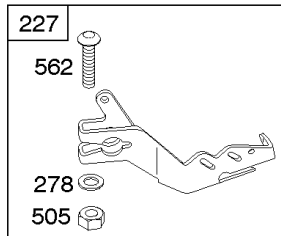
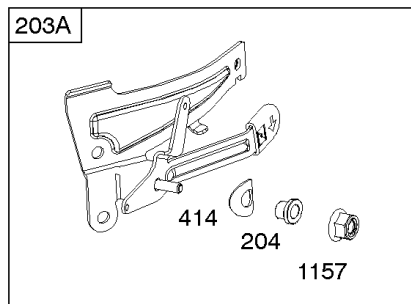
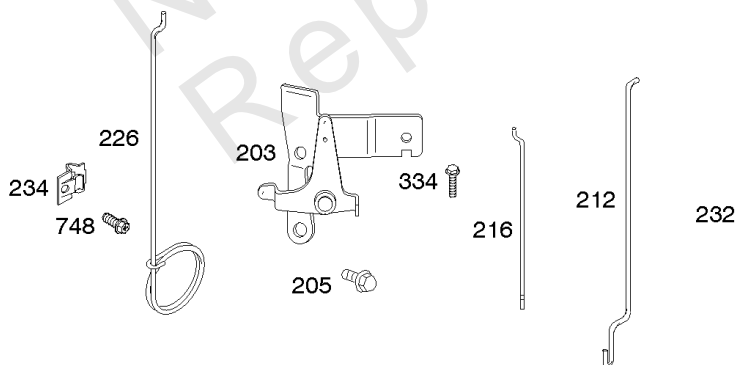
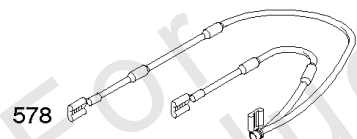
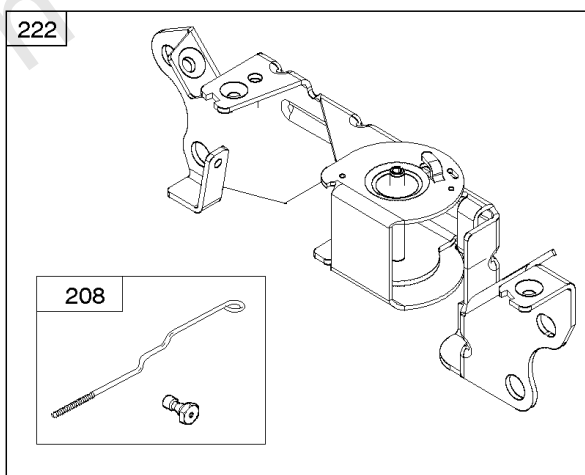
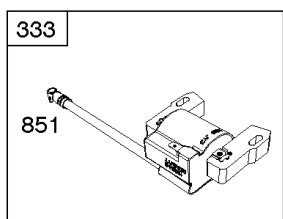
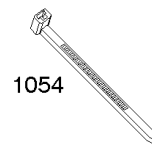
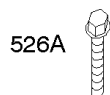
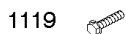
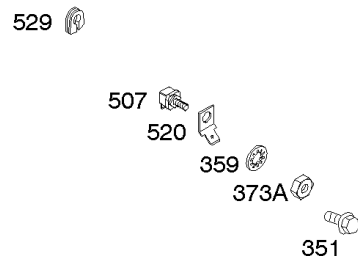
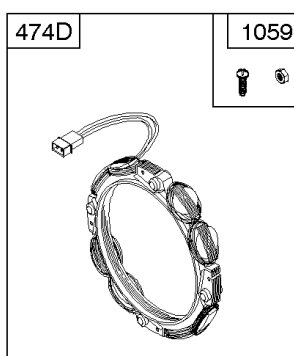
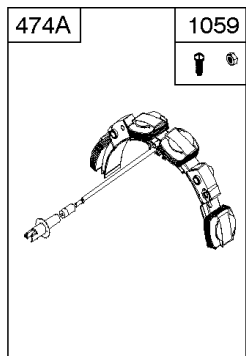
Model Components	Page
Air Cleaner.....	4
Alternator, Ignition, Controls, Governor Spring.....	6
Carburetor - Ruixing.....	10
Carburetor Overhaul Kit, Engine Gasket Set, Valve Gasket Set.....	12
Carburetor, Fuel Supply.....	14
Crankshaft, Camshaft, Cylinder, Crankcase Cover/Sump, Piston/Rings/Connecting Rod.....	20
Cylinder Head, Valves.....	24
Exhaust System, intake Mnifold.....	26
Lubrication, Electric Starter.....	28
Replacement Engine.....	30
Rewind Starter, Blower Housing, Flywheel.....	31
Shrouds.....	33

Not For
Reproduction



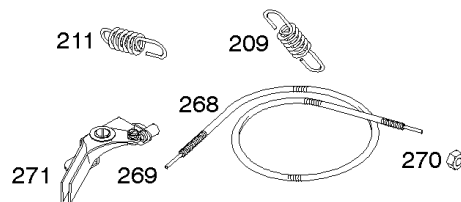
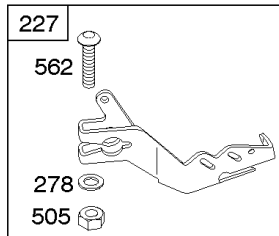
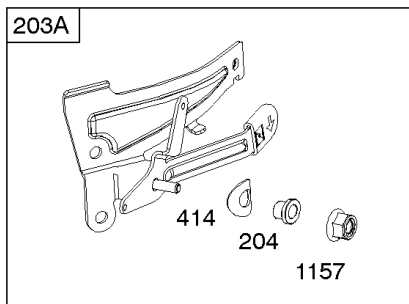
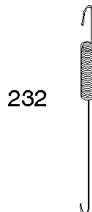
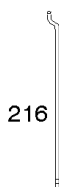
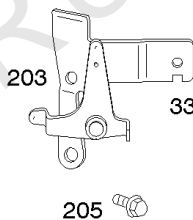
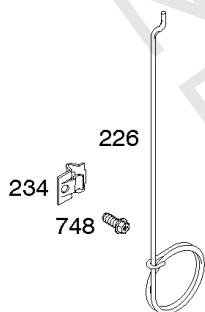
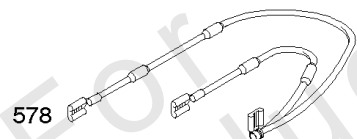
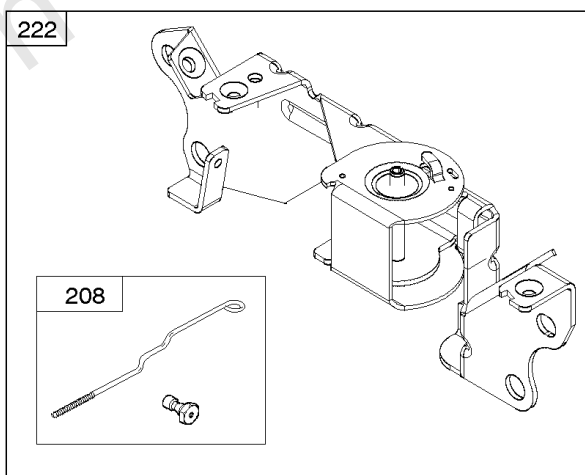
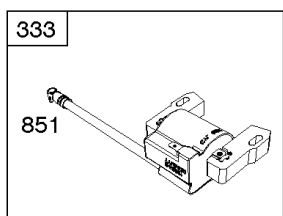
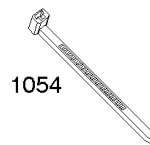
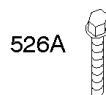
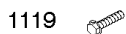
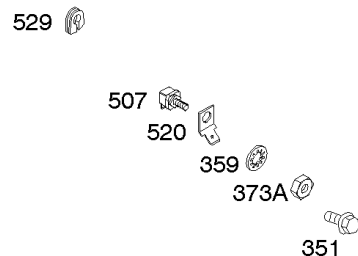
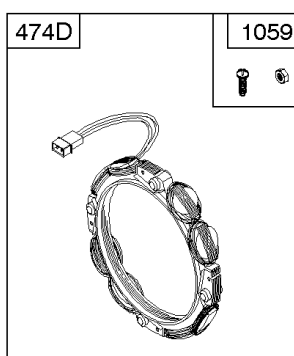
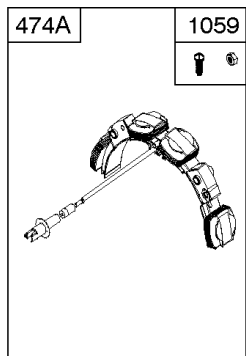
Air Cleaner

REF NO	PART NO	QTY	DESCRIPTION
163	692081		Gasket-Air Cleaner -Used Before Code Date 10010200
163A	844931		Gasket-Air Cleaner -Used After Code Date 10010100
185	690939		NUT -(Air Cleaner Base) (Air Cleaner Base)
445	394018S		Filter-A/C Cartridge
467	846431		Knob-Air Cleaner Cover -Used After Code Date 14102300
467	844618		Knob-Air Cleaner Cover -Used Before Code Date 14102400
643	692079		Retainer-Air Filter -Used Before Code Date 10010200
643A	844932		RETAINER, Air Filter -Used After Code Date 10010100
711A	807084		Screw -(Carburetor Shield)
717A	845838		Bracket-Air Cleaner
875D	844929		Base-Air Cleaner -Used After Code Date 10010100
875G	846046		Base-Air Cleaner -Used Before Code Date 10010200
961	841233		Screw -(Air Cleaner Bracket)
967	272490S		Filter-Pre Cleaner
968	699959		Cover-Air Cleaner
971A	807084		Screw -(Air Cleaner Base to Carburetor/Throttle Body)
996A	844930		Shield-Carburetor
1004	841656		Duct-Air



Alternator, Ignition, Controls, Governor Spring

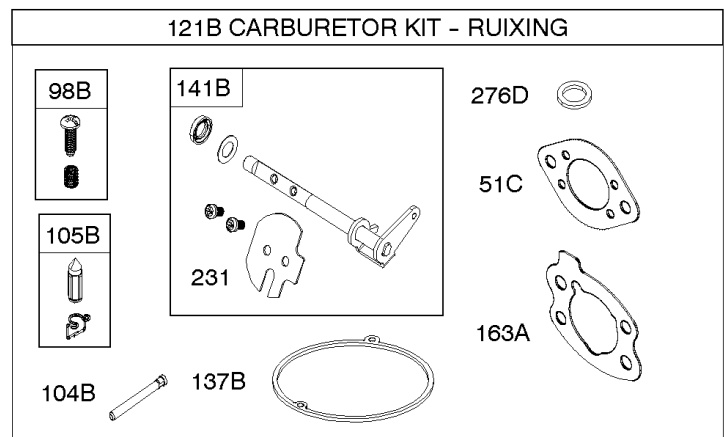
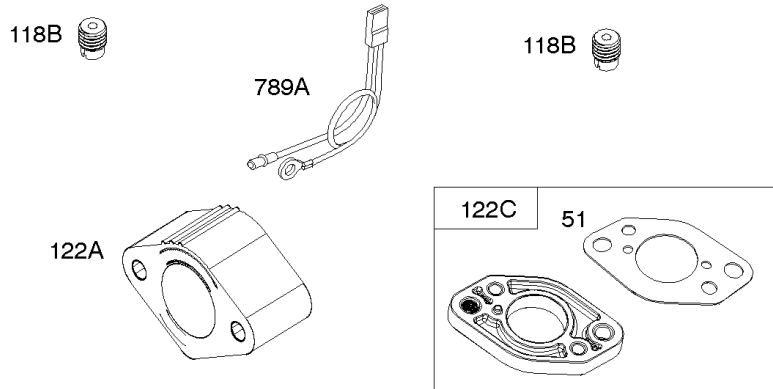
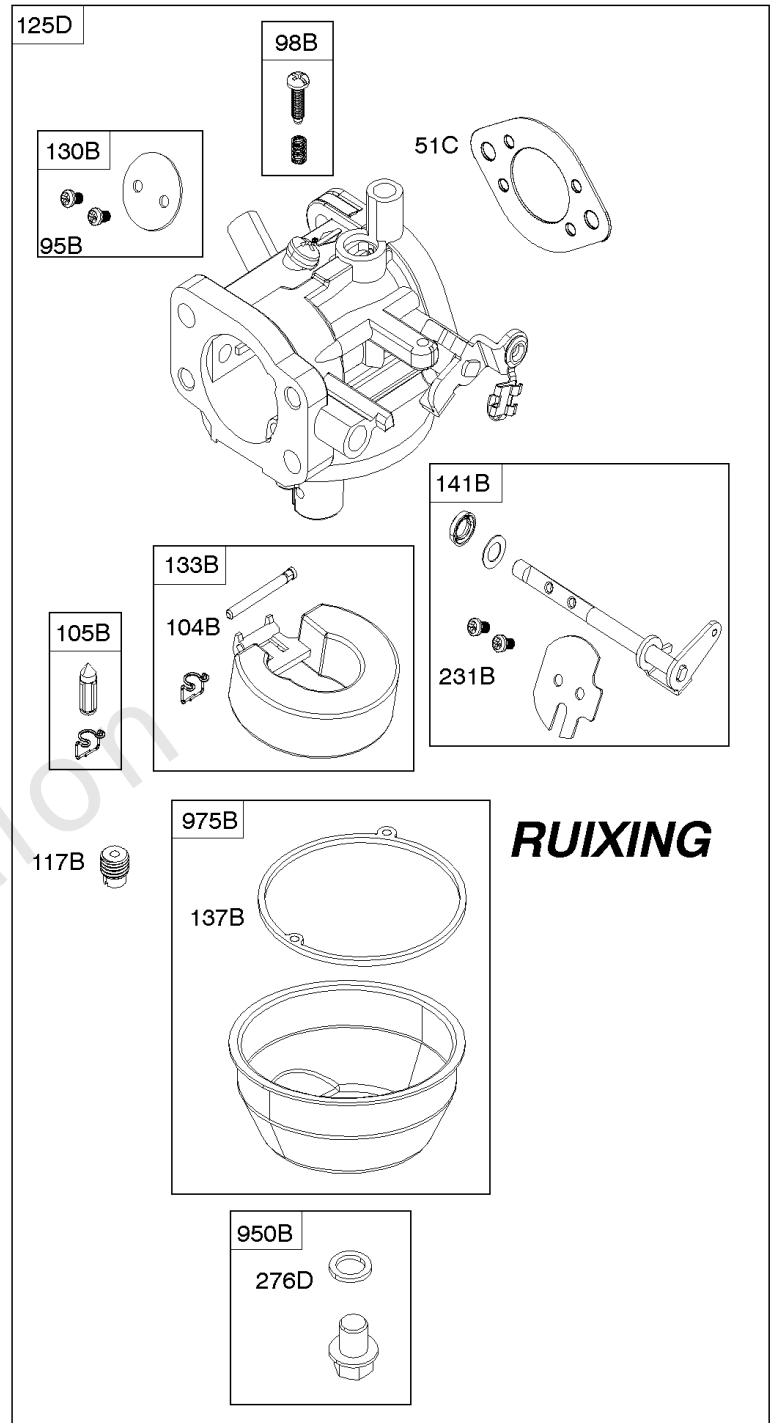
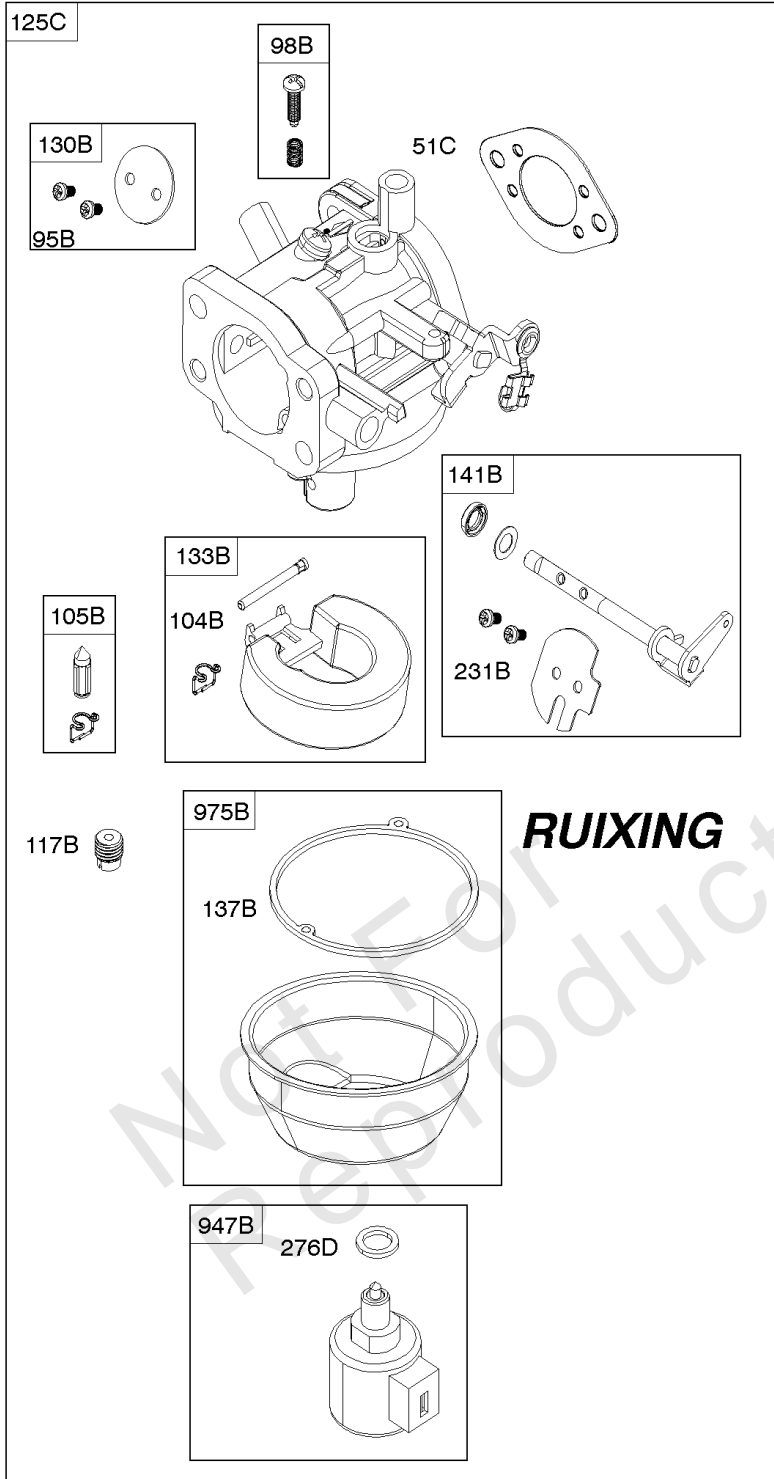
REF NO	PART NO	QTY	DESCRIPTION
188	692056		Screw -(Control Bracket) (M8x14mm)
188	692062		Screw -(Control Bracket) (M8x18mm)
203A	808753		Crank-Bell
204	692884		Bushing-Lever
205	692083		Screw -(Bell Crank)
208	808453		Rod-Governor Control
209	692071		Spring-Governor -(White)
211	692069		Spring-Governed Idle
212	847015		Link-Throttle
216	690705		Link-Choke
222	808454		Bracket-Control
226	692075		Rod-Choke
227	690236		Lever-Governor Control
232	692073		Spring-Governor Link
234	691723		Clip-Control Rod
265	691024		CLAMP, Casing
267	841552		Screw -(Casing Clamp) (M5x20mm)
268	691025		CASING, Control Wire -(Cut To Required Length)
269	691026		WIRE, Control -(Cut To Required Length)
270	691027		NUT -(Control Wire Casing) (Control Wire Casing)
271	691028		Lever-Control
278	842122		Washer -(Governor Control Lever)
333	845606		Armature-Magneto
334	692066		Screw -(Magneto Armature)
351	692083		Screw -(Ground Terminal)
359	691077		Washer -(Ground Terminal)
373A	691612		NUT -(Ground Terminal)
414	690344		Washer -(Bell Crank)
474C	592829		ALTERNATOR -(5 or 9 Amp. Tri Circuit<(>,<)> Regulated)
501A	794360		REGULATOR
505	844752		Nut -(Governor Control Lever) (Governor Control Lever)
507	691972		Insulator
520	691084		Terminal-Ground
526A	690717		Screw -(Regulator) (Regulator)
529	690744		Grommet
562	690239		Bolt -(Governor Control Lever)
578	844547		Wire Assembly -(With Diodes)
697	692062		Screw -(Starter Motor) (Drive Cap) (M8x18mm)



Alternator, Ignition, Controls, Governor Spring

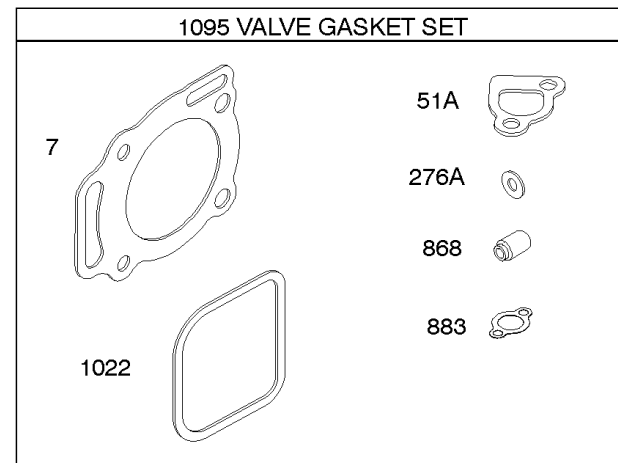
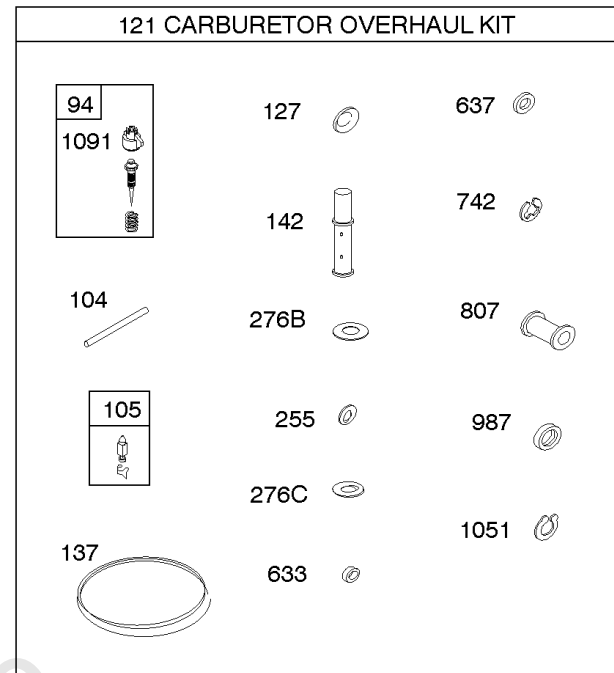
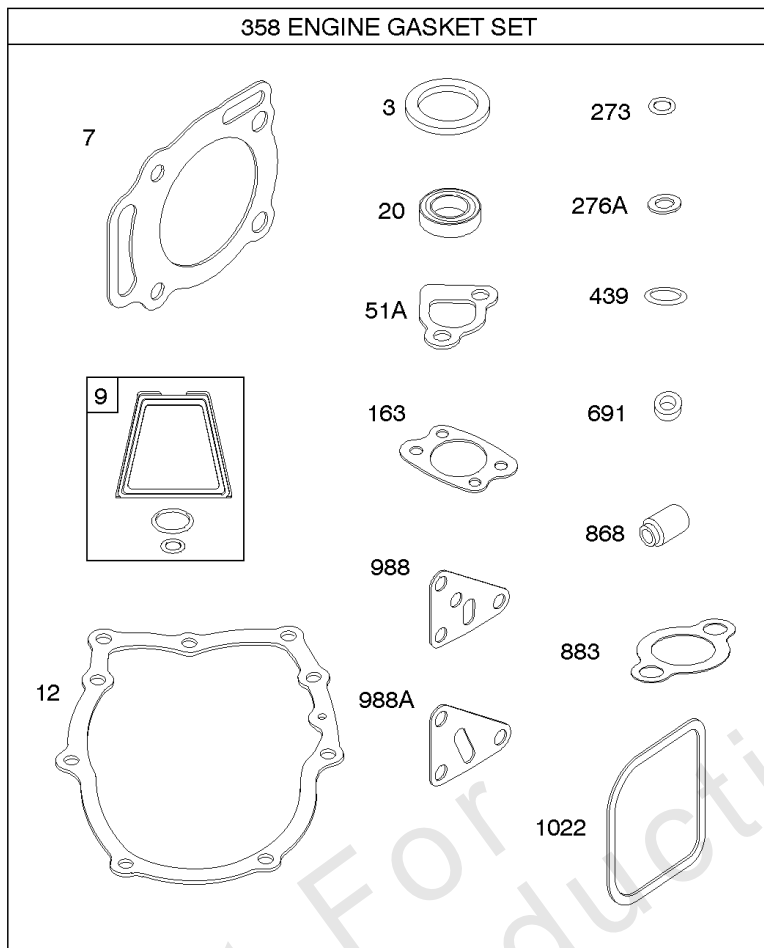
REF NO	PART NO	QTY	DESCRIPTION
748	692083		Screw -(Control Rod Clip)
851	493880S		TERMINAL, Spark Plug
1054	280275		Tie-Cable
1059	698516		KIT, Screw/Washer
1119	691552		Screw -(Alternator)
1157	806447		Nut -(Bell Crank)

Not For
Reproduction



Carburetor - Ruixing

REF NO	PART NO	QTY	DESCRIPTION
51	691694		Gasket-Intake
95B	846644		Screw -(Throttle Valve) (Ruixing)
98B	846649		Kit-Idle Speed -(Ruixing)
104B	846646		Pin-Float Hinge -(Ruixing)
105B	846643		Valve-Float Needle -(Ruixing)
117B	846647		Jet-Main -(Standard) (Ruixing)
118B	846589		Jet-Main -(High Altitude) (9000 Feet)
118B	846590		Jet-Main -(High Altitude) (5000 Feet)
121B	847318		Kit-Carburetor Overhaul -(Ruixing)
122C	845845		Spacer-Carburetor
125C	846592		Carburetor -(Ruixing with Solenoid) -Used After Code Date 15020300
130B	846638		Valve-Throttle -(Ruixing)
133B	846645		Float-Carburetor -(Ruixing)
137B	846642		Gasket-Float Bowl -(Ruixing)
141B	846637		Kit-Choke Shaft -(Ruixing)
163A	844931		Gasket-Air Cleaner -Used After Code Date 10010100
231	690718		SCREW -(Choke Valve) (Nikki)
231B	846644		Screw -(Choke Valve) (Ruixing)
276D	846640		WASHER, Sealing -(Ruixing)
789A	844914		Harness-Wiring
947B	846639		SOLENOID, Fuel -(Ruixing)
950B	846648		Screw-Float Bowl -(Ruixing)
975B	846641		Bowl-Float -(Ruixing)



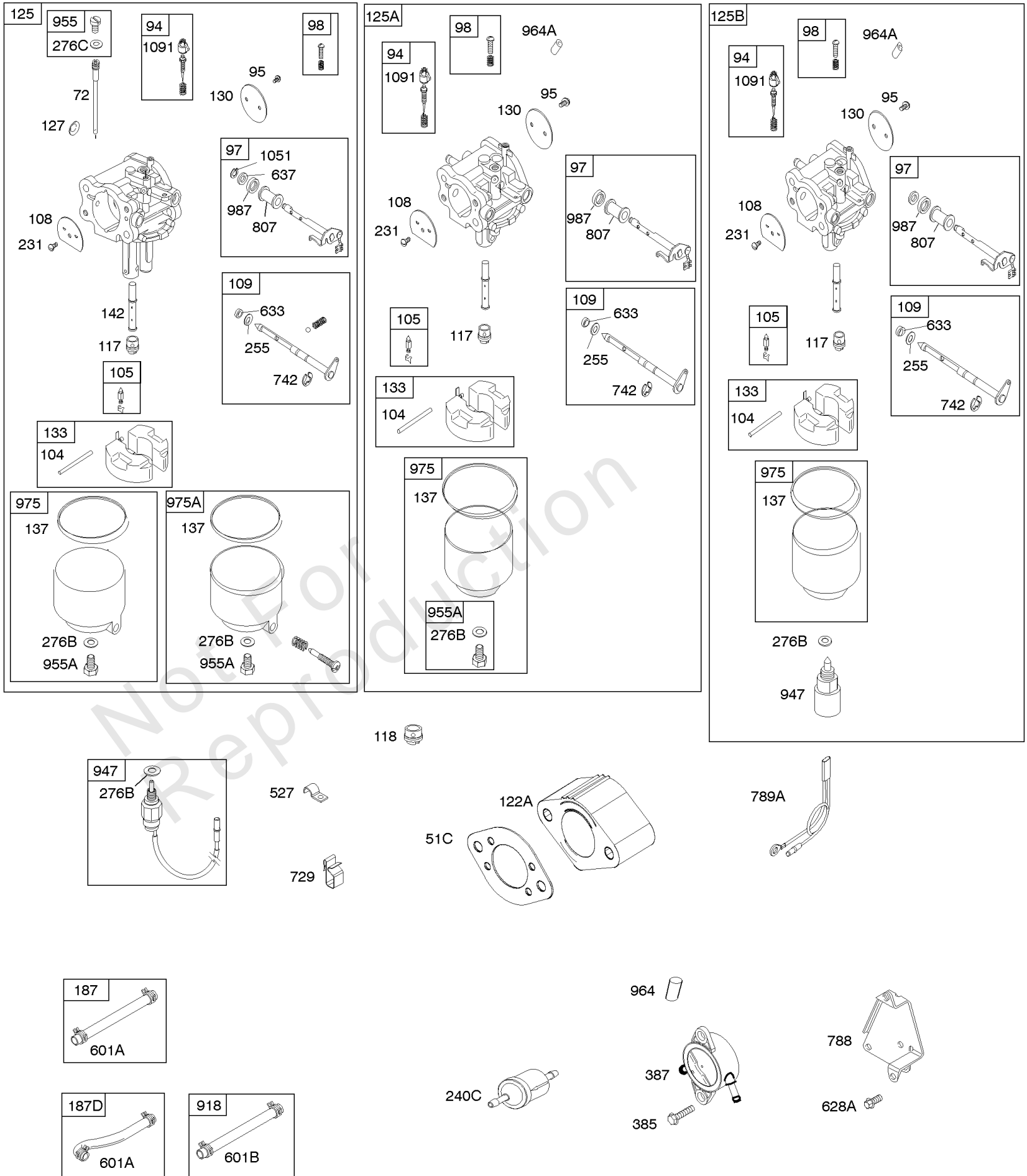
Not For Reproduction

Carburetor Overhaul Kit, Engine Gasket Set, Valve Gasket Set

REF NO	PART NO	QTY	DESCRIPTION
3	805101S		Seal-Oil -(Magneto Side)
7	806085S		Gasket-Cylinder Head
9	844986		Gasket-Breather
12	846487		Gasket-Crankcase
20	805049S		Seal-Oil -(PTO Side)
94	842888		Kit-Idle Mixture -Used Before Code Date 10010200
94	844912		Kit-Idle Mixture -(Nikki) -Used After Code Date 10010100
104	690739		Pin-Float Hinge -Used Before Code Date 10010200
104	844906		Pin-Float Hinge -Used After Code Date 10010100
105	807706		Valve-Float Needle -Used Before Code Date 10010200
105	844907		Valve-Float Needle -(Nikki) -Used After Code Date 10010100
121	842890		Kit-Carburetor Overhaul
127	690731		Plug-Welch
137	844908		Gasket-Float Bowl -(Nikki) -Used After Code Date 10010100
137	806481		Gasket-Float Bowl -Used Before Code Date 10010200
142	806635		Nozzle-Carburetor -Used Before Code Date 10010200
163	692081		Gasket-Air Cleaner -Used Before Code Date 10010200
255	690737		Bushing-Choke Shaft
273	690681		Seal-O Ring -(Oil Pump)
276A	807085		Washer-Sealing -(Rocker Cover)
276C	806477		Washer-Sealing
276B	806476		Washer-Sealing
358	808704		Gasket Set-Engine
439	692154		O-RING, Oil Gallery -(Crankcase Cover/Sump or Cylinder Assembly)
633	690738		Seal-Choke/Throttle Shaft
637	690735		Washer -(Throttle Shaft)
691	842826		Seal-Governor Shaft
742	805578		Retainer-E Ring
807	690733		Spacer-Throttle
868	691963		SEAL, Valve
883	691613		Gasket-Exhaust
987	691548		Seal-Throttle Shaft
988	692063		Gasket-Oil Adapter
988A	690687		Gasket-Oil Adapter
1022	806039S		Gasket-Rocker Cover
1051	690736		Ring-Retaining
1091	691515		Cap-Limiter
1095	842723		Gasket Set-Valve

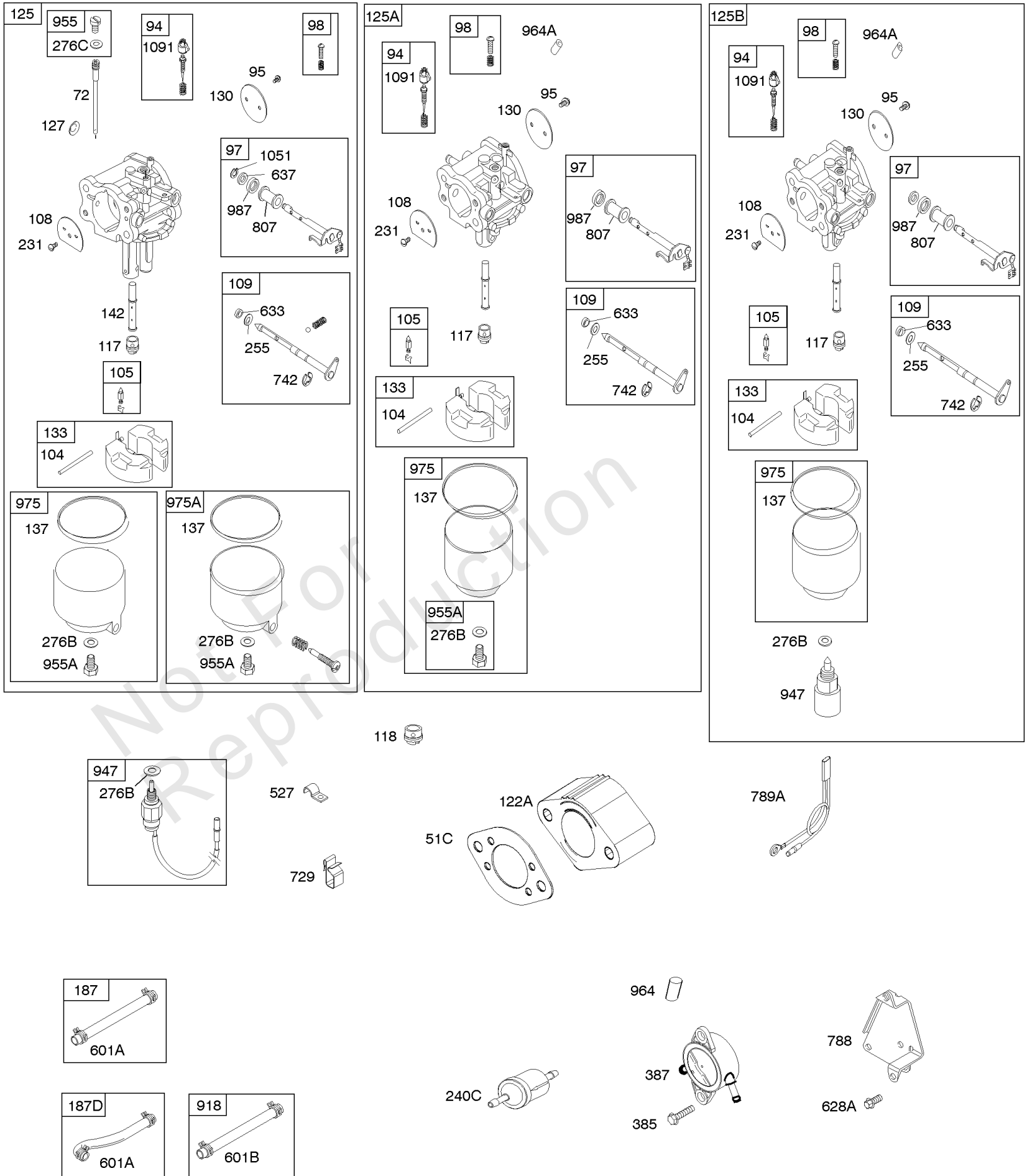
Carburetor, Fuel Supply

REF NO	PART NO	QTY	DESCRIPTION
72	806488		Tube-Jet
94	842888		Kit-Idle Mixture -Used Before Code Date 10010200
94	844912		Kit-Idle Mixture -(Nikki) -Used After Code Date 10010100
95	690718		SCREW -(Throttle Valve) (Nikki)
97	808323		Shaft-Throttle -Used Before Code Date 05070200
97	842650		Shaft-Throttle -(Nikki) -Used After Code Date 05063000 -Used Before Code Date 10070700
97	844904		Shaft-Throttle -(Nikki) -Used After Code Date 10010100
98	807705		Kit-Idle Speed -(Nikki)
104	690739		Pin-Float Hinge -Used Before Code Date 10010200
104	844906		Pin-Float Hinge -Used After Code Date 10010100
105	807706		Valve-Float Needle -Used Before Code Date 10010200
105	844907		Valve-Float Needle -(Nikki) -Used After Code Date 10010100
108	844903		Valve-Choke -(No Longer Available, For Replacement See Reference 125C or 125Dw/ Solenoid)
108	690729		Valve-Choke -Used Before Code Date 10010200
109	844913		Shaft-Choke -Used After Code Date 10010100
109	807711		Shaft-Choke -Used Before Code Date 10010200
117	806487		Jet-Main -(Standard) -Used Before Code Date 10010200
117	844910		Jet-Main -(Standard) (Nikki) -Used After Code Date 10010100
118	806634		Jet-Main -(High Altitude) (High Altitude) -Used Before Code Date 10010200
118	845545		Jet-Main -(High Altitude) (5000 Feet) -Used After Code Date 10010100
118	845546		Jet-Main -(High Altitude) (9000 Feet) -Used After Code Date 10010100
125B	844902		Carburetor -(No Longer Available) (See Reference 125C for Service Carburetor) -Used After Code Date 10010100 -Used Before Code Date 15020400
127	690731		Plug-Welch
130	690732		Valve-Throttle -(Nikki)
133	807710		Float-Carburetor -Used Before Code Date 10010200



Carburetor, Fuel Supply

REF NO	PART NO	QTY	DESCRIPTION
133	844905		Float-Carburetor -(No Longer Available, For Replacement See Reference 125C or 125Dw/ Solenoid)
137	844908		Gasket-Float Bowl -(Nikki) -Used After Code Date 10010100
137	806481		Gasket-Float Bowl -Used Before Code Date 10010200
142	806635		Nozzle-Carburetor -Used Before Code Date 10010200
187	791745		Line-Fuel -(23 Inches Long)(Cut To Required Length)
187	791766		LINE, Fuel -(15" Long)(Cut To Required Length)
187D	791744		LINE, Fuel -(Formed)(14 Inches Long)(Cut To Required Length)
231	690718		SCREW -(Choke Valve) (Nikki)
240C	845125		FILTER, Fuel
255	690737		Bushing-Choke Shaft
276B	806476		Washer-Sealing
276C	806477		Washer-Sealing
385	807084		Screw -(Fuel Pump)
387	808656		PUMP, Fuel
527	690423		CLAMP, Tube
601A	691038		CLAMP, Hose
601B	791850		CLAMP, Hose
628A	806660		Screw -(Fuel Pump Bracket)
633	690738		Seal-Choke/Throttle Shaft
637	690735		Washer -(Throttle Shaft)
729	690586		Clip-Wire
742	805578		Retainer-E Ring
788	691559		Bracket-Fuel Pump
789A	844914		Harness-Wiring
807	690733		Spacer-Throttle
918	791880		Hose-Vacuum
947	806472		Solenoid-Fuel -Used Before Code Date 10010200
947	844911		Solenoid-Fuel -(Nikki) -Used After Code Date 10010100
955	807714		Plug-Carburetor
955A	691511		Plug-Carburetor -Used Before Code Date 10010200
955A	844916		Plug-Carburetor -Used After Code Date 10010100
964	590799		CAP, Connector
964A	809640		Cap-Connector
975	844909		Bowl-Float -Used After Code Date 10010100
975A	807715		Bowl-Float -Used Before Code Date 10010200
987	691548		Seal-Throttle Shaft
1051	690736		Ring-Retaining



Carburetor, Fuel Supply

REF NO	PART NO	QTY	DESCRIPTION
1091	691515		Cap-Limiter

Not For
Reproduction

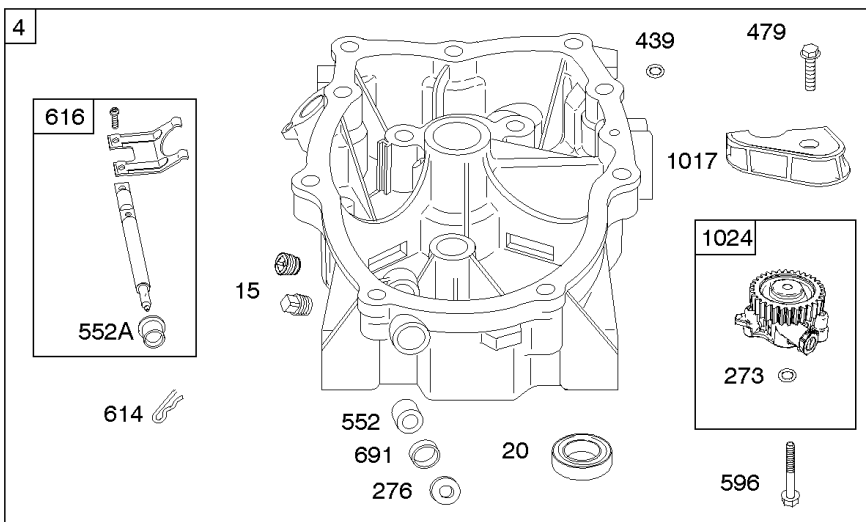
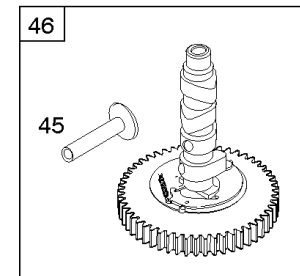
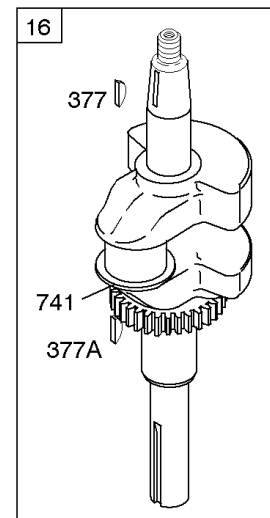
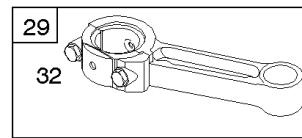
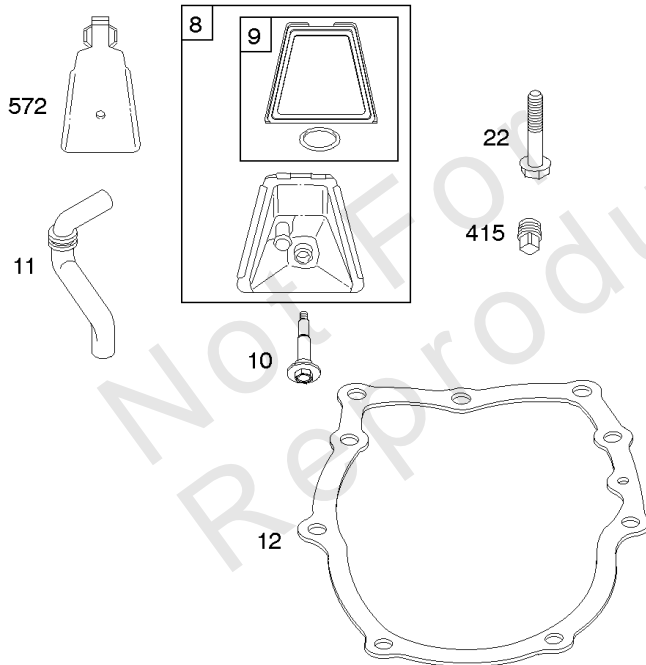
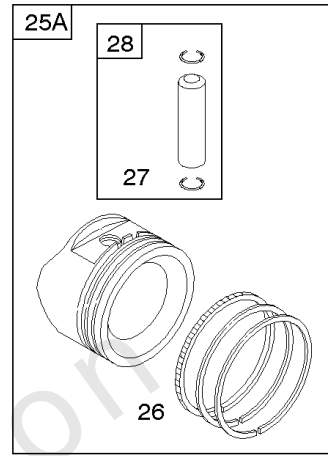
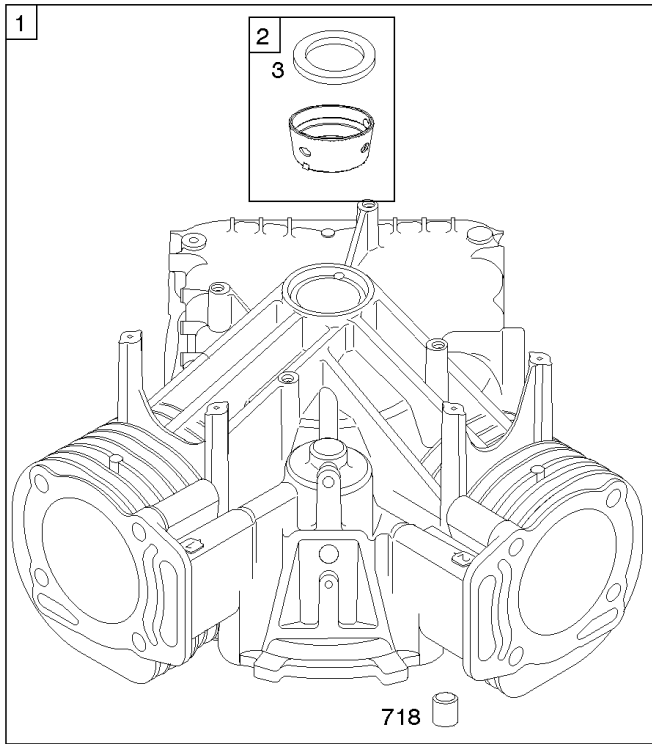
Crankshaft, Camshaft, Cylinder, Crankcase Cover/Sump, Piston/Rings/Connecting Rod

Mfg. No: 295777-0002-B1

1036 EMISSIONS LABEL

1330 REPAIR MANUAL

1319 WARNING LABEL



Crankshaft, Camshaft, Cylinder, Crankcase Cover/Sump, Piston/Rings/Connecting Rod

REF NO	PART NO	QTY	DESCRIPTION
1	845660		Cylinder Assembly
2	808534		Kit-Bushing/Seal -(Magneto Side)
3	805101S		Seal-Oil -(Magneto Side)
4	843954		Sump-Engine
8	808988		Breather Assembly
9	844986		Gasket-Breather
12	846487		Gasket-Crankcase
15	691680		PLUG, Oil Drain -(3/8"-18 NPTF - Internal 3/8" Sq)
15	690946		PLUG, Oil Drain -(3/8"-18 NPTF-External 7/16" Sq)
16	692159		Crankshaft
20	805049S		Seal-Oil -(PTO Side)
22	807362		Screw -(Crankcase Cover/Sump)
25A	843958		Piston Assembly -(.020" Oversize)
25A	843951		Piston Assembly
26	843957		Ring Set -(.020" Oversize)
26	843953		Ring Set
27	690683		Lock-Piston Pin
28	844541		Pin-Piston
29	807900S		Rod-Connecting
32	690698		Screw -(Connecting Rod)
45	843379		Tappet-Valve
46	845649		Camshaft
273	690681		Seal-O Ring -(Oil Pump)
276	690704		Washer-Sealing
357	691483		KEY, Drive Pulley
377	808095		Key-Woodruff
377A	691639		KEY, Woodruff
415	794903		PLUG -(Square Head)
439	692154		O-RING, Oil Gallery -(Crankcase Cover/Sump or Cylinder Assembly)
479	843961		Screw -(Oil Pump Screen) (Oil Pump Screen)
552	690701		Bushing-Governor Crank
552A	806686		Bushing-Governor Crank
572	690686		Baffle-Breather
596	691492		Screw -(Oil Pump)
614	691550		PIN, Cotter
616	806685		Crank-Governor
691	842826		Seal-Governor Shaft
718	806469		Pin-Locating
741	846085		Gear-Timing
1017	690878		Screen-Oil Pump
1024	843959		Pump-Oil

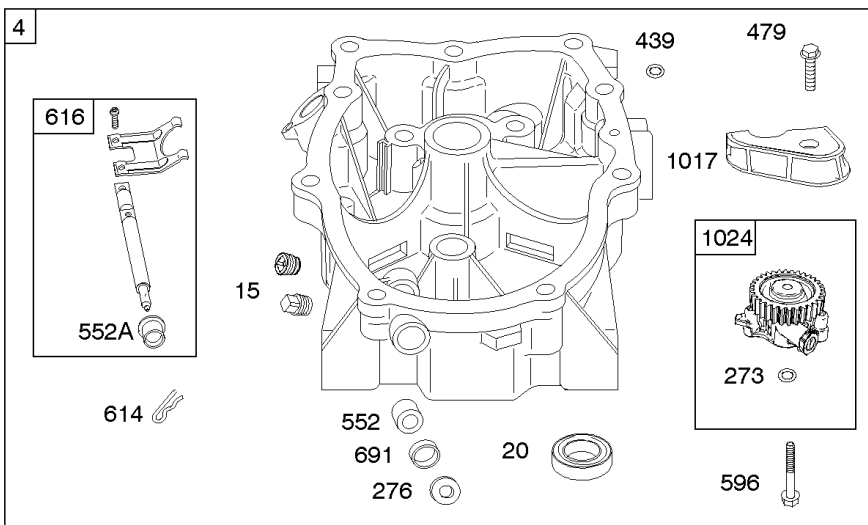
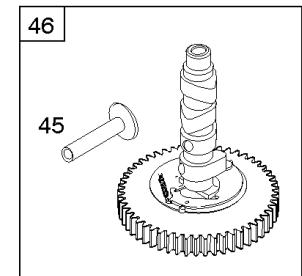
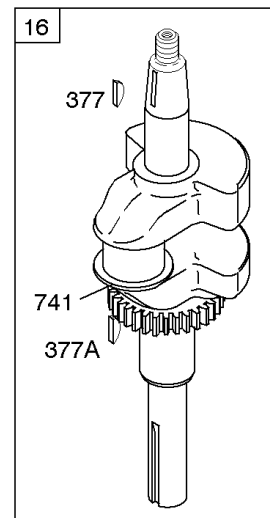
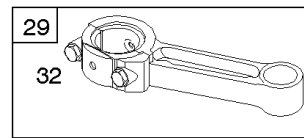
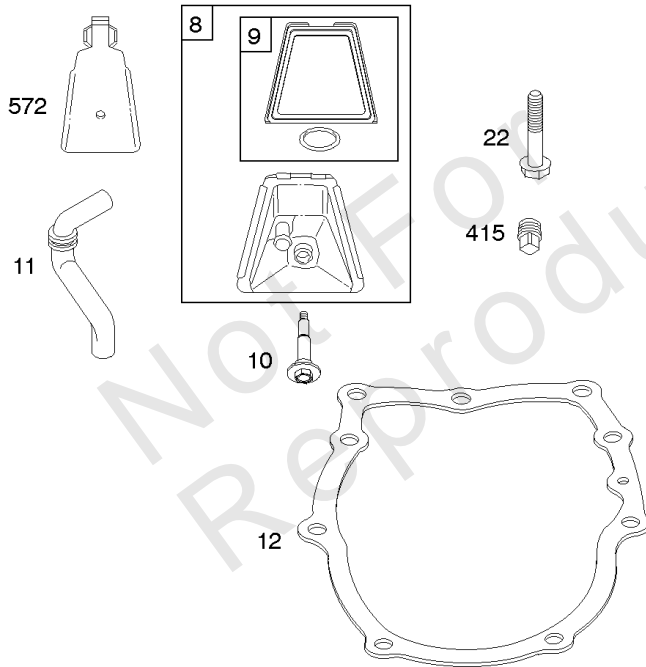
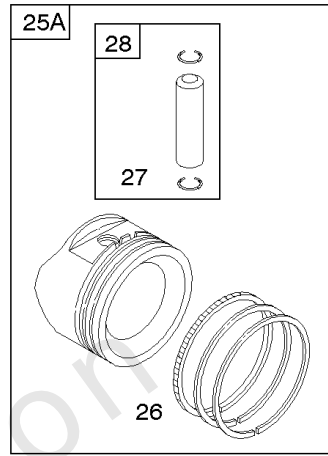
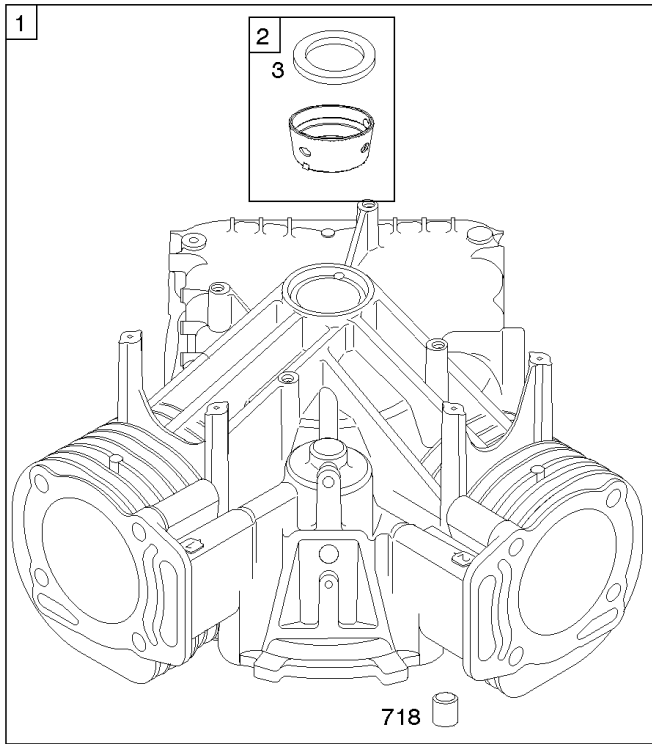
Crankshaft, Camshaft, Cylinder, Crankcase Cover/Sump, Piston/Rings/Connecting Rod

Mfg. No: 295777-0002-B1

1036 EMISSIONS LABEL

1330 REPAIR MANUAL

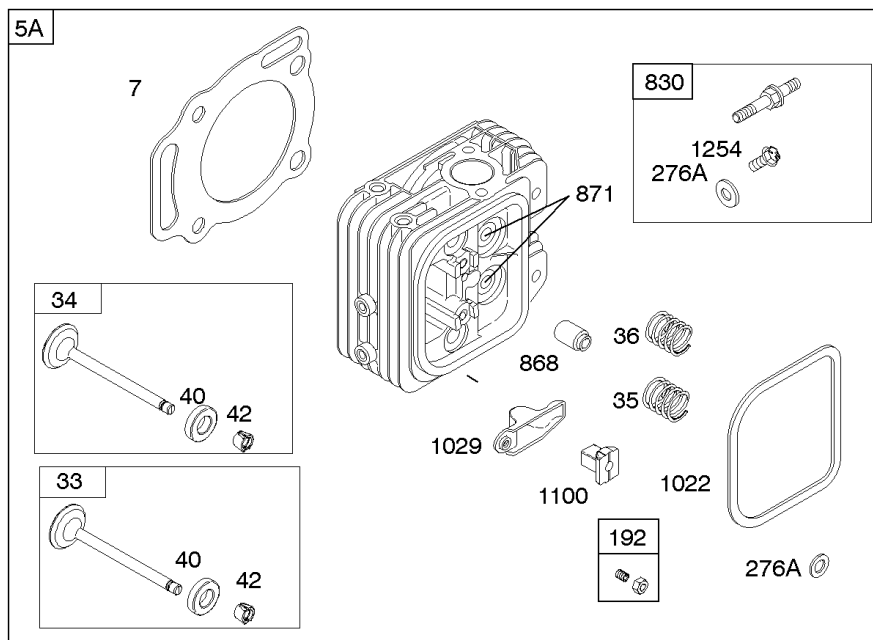
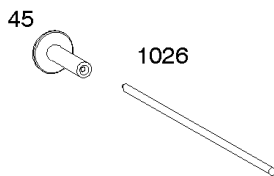
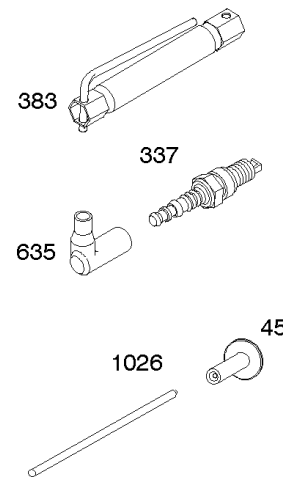
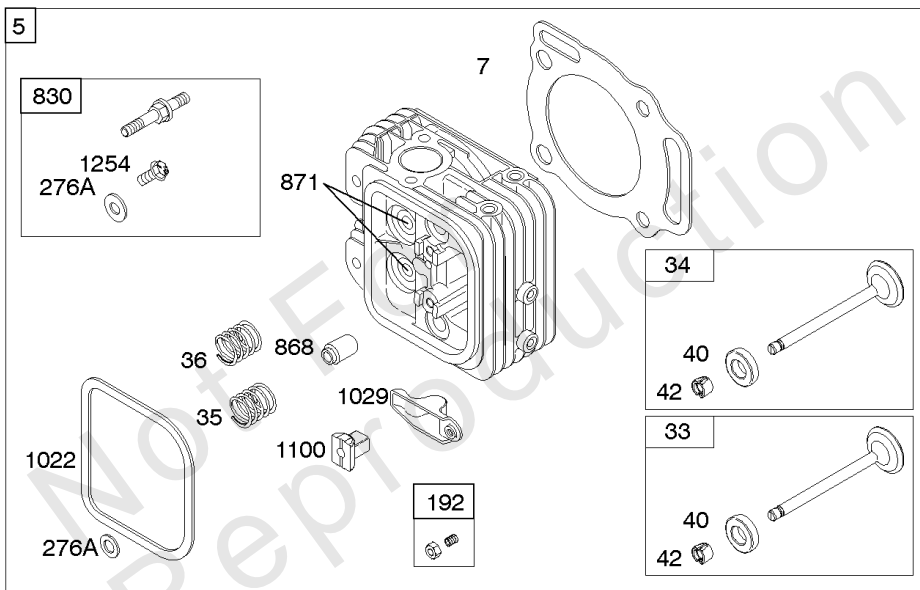
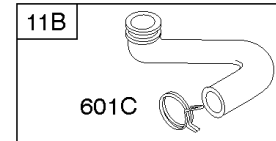
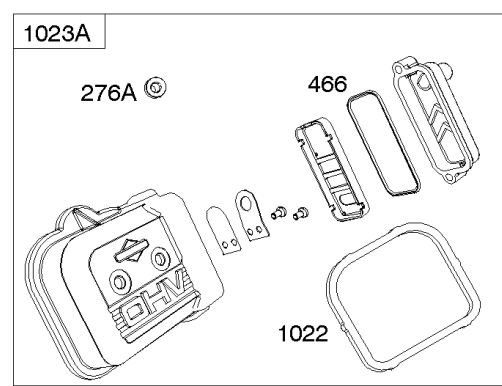
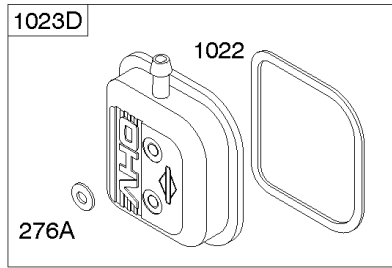
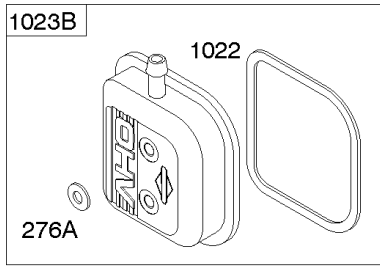
1319 WARNING LABEL



Crankshaft, Camshaft, Cylinder, Crankcase Cover/Sump, Piston/Rings/Connecting Rod

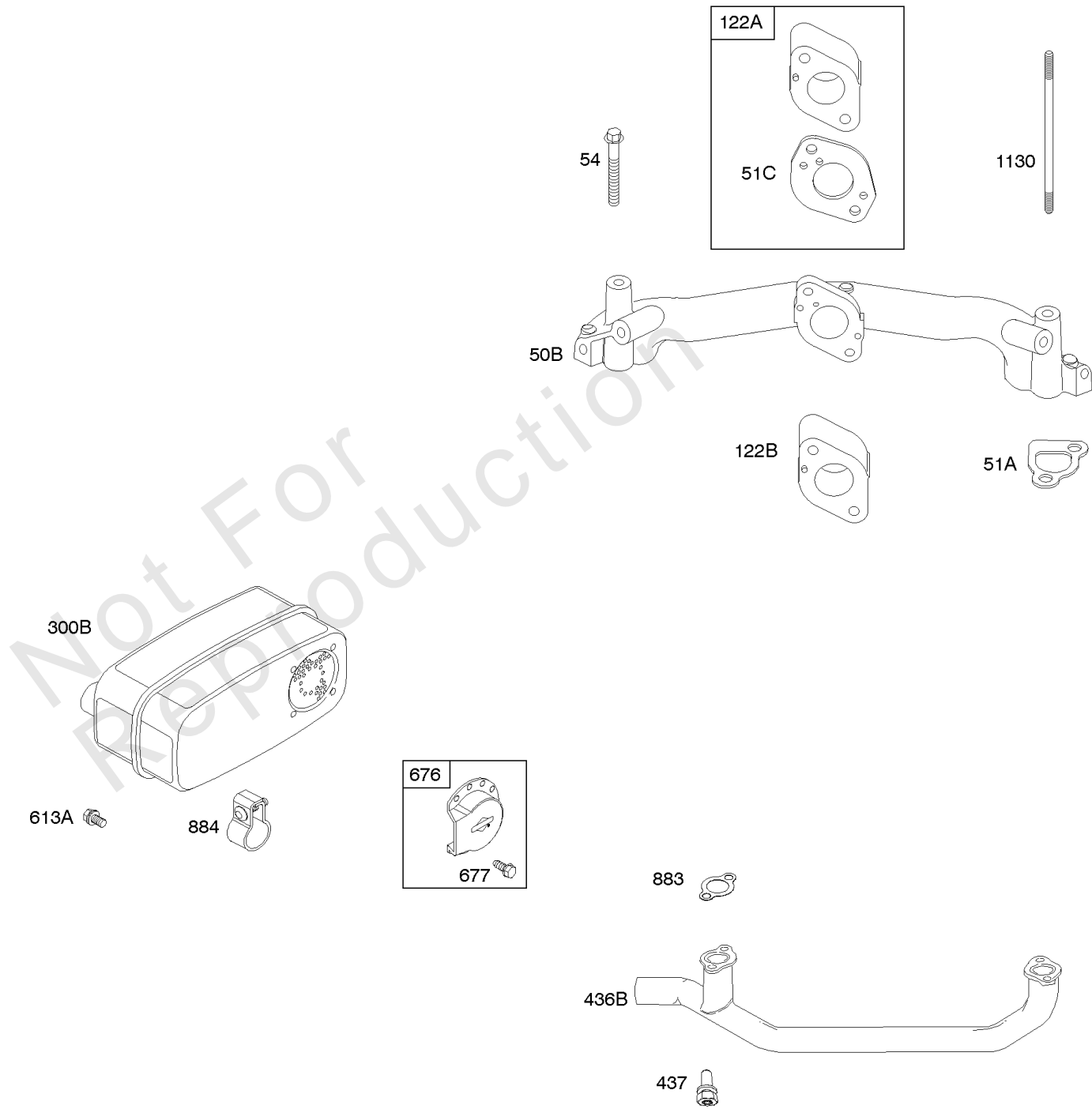
REF NO	PART NO	QTY	DESCRIPTION
1025	690689		Spool-Governor
1036	-----		Label-Emissions
1319	794467		LABEL, Warning
1330	272144		Repair Manual

Not For
Reproduction



Cylinder Head, Valves

REF NO	PART NO	QTY	DESCRIPTION
5	809200		Head-Cylinder
5A	809201		Head-Cylinder
7	806085S		Gasket-Cylinder Head
10B	807382		Screw -(Breather Assembly)
11B	806379		Tube-Breather
13	692059		Screw -(Cylinder Head)
33	807681		Valve-Exhaust
34	807680		Valve-Intake
35	692084		Spring-Valve -(Intake)
36	692084		Spring-Valve -(Exhaust)
40	692058		Retainer-Valve
42	807683		RETAINER, Valve
45	843379		Tappet-Valve
192	807623		Adjuster-Rocker Arm
276A	807085		Washer-Sealing -(Rocker Cover)
337	792015		PLUG, Spark
383	19576S		WRENCH, Spark Plug
466	806466		Seal-O Ring -(Breather Assembly)
601C	691145		Clamp-Hose
635	692076		BOOT, Spark Plug
830	809157		Stud-Rocker Arm
868	691963		SEAL, Valve
871	692057		Bushing-Valve Guide
914	807120		Screw -(Rocker Cover)
1022	806039S		Gasket-Rocker Cover
1023A	843750		Cover-Rocker
1026	691836		Rod-Push -(Intake)(Steel)
1026	691758		Rod-Push -(Exhaust)(Aluminum)
1029	807323		ARM, Rocker
1100	791959		PIVOT, Rocker Arm
1254	807084		Screw -(Rocker Arm Stud)

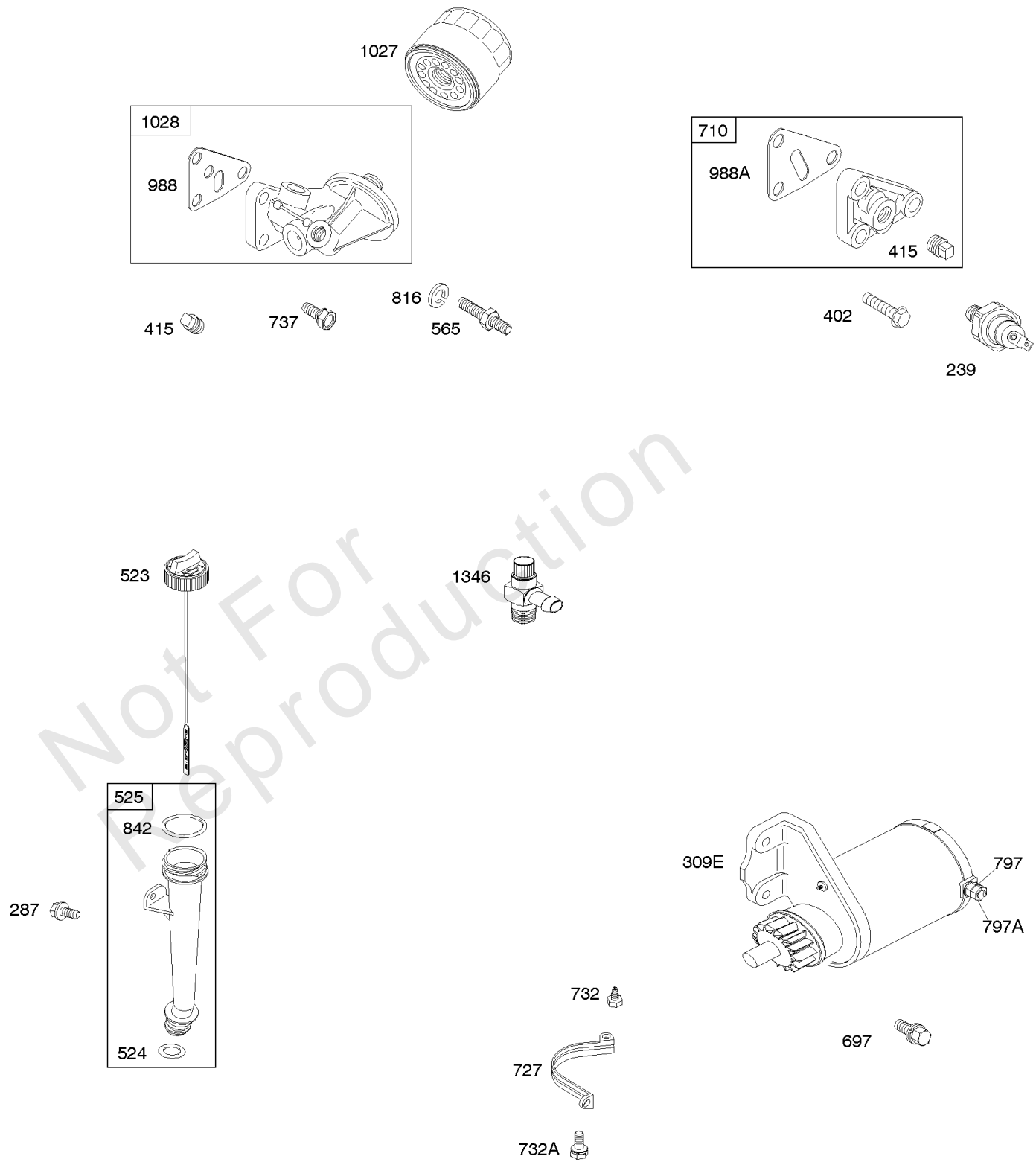


Exhaust System, itake Mnifold

REF NO	PART NO	QTY	DESCRIPTION
50B	690754		Manifold-Intake
54	846604		Screw -(Intake Manifold) (M8x67mm) (Dog Point)
300B	498984S		Muffler
436B	691502		Manifold-Exhaust
437	691902		Screw -(Exhaust Manifold)
613A	690297		Screw -(Muffler)
676	795036		DEFLECTOR, Muffler
677	794845		SCREW -(Muffler Deflector)
883	691613		Gasket-Exhaust
884	691956		Clamp-Muffler
1130	690746		Stud -(Intake Manifold)

Not For
Reproduction

0



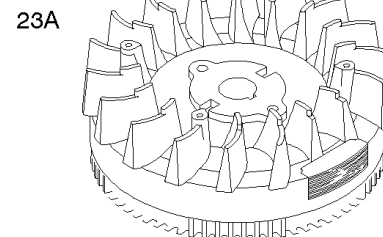
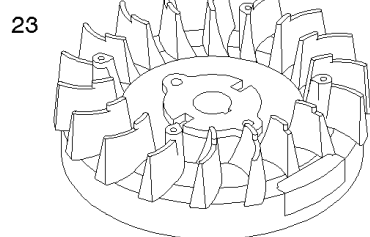
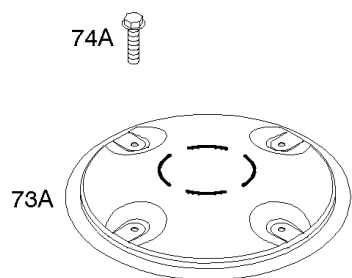
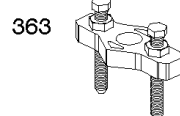
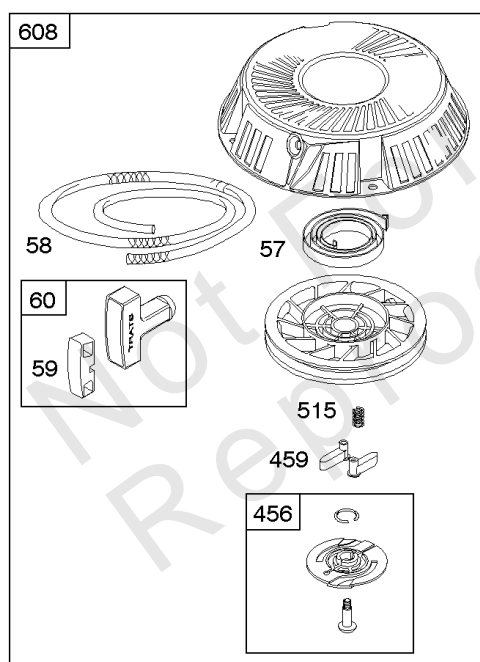
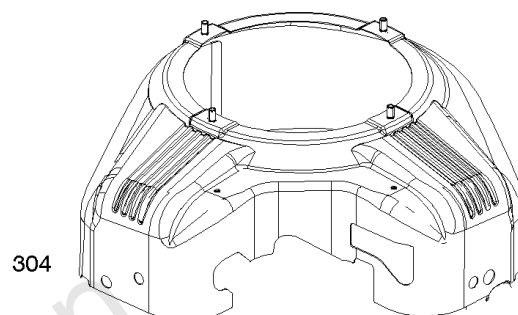
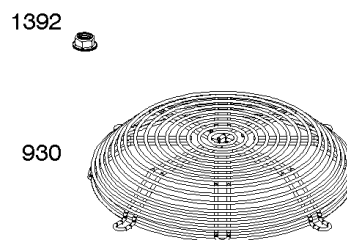
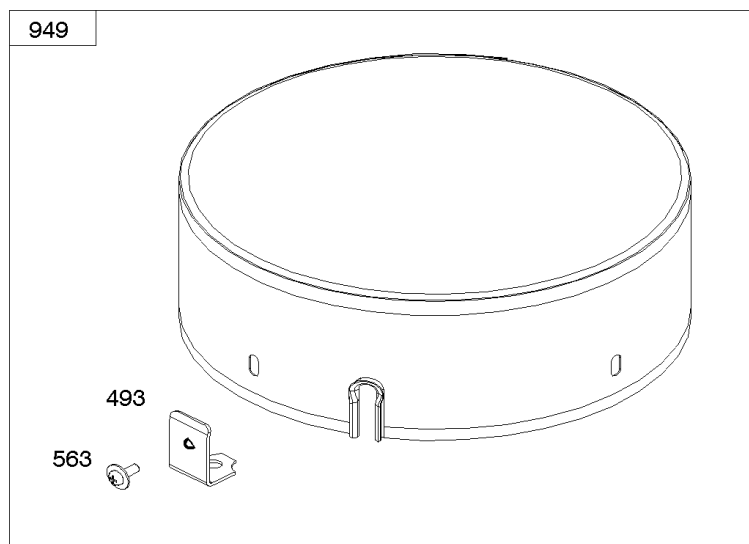
Lubrication, Electric Starter

REF NO	PART NO	QTY	DESCRIPTION
239	690233		Switch-Oil Pressure
287	807084		Screw -(Dipstick Tube)
309E	844717		Motor-Starter
402	690679		Screw -(Oil Filter Cover) (M6x21mm)
415	794903		PLUG -(Square Head)
523	692101		Dipstick
524	692053		Seal-Dipstick Tube
525	692093		Tube-Dipstick
565	690682		Stud -(Oil Filter Adapter)
697	692062		Screw -(Starter Motor) (Drive Cap) (M8x18mm)
710	807689		Cover-Oil Filter
727	841313		Cover-Starter Drive
732	690688		Screw -(Starter Drive Cover)
732A	841233		Screw -(Starter Drive Cover)
737	690679		Screw -(Oil Filter Adapter) (M6x21mm)
797	693167		NUT -(Brush Retainer)
797A	691029		NUT -(Brush Retainer)
816	690706		Washer -(Oil Filter Adapter)
842	691870		Seal-O Ring -(Dipstick Tube)
988	692063		Gasket-Oil Adapter
988A	690687		Gasket-Oil Adapter
1027	842921		Filter-Oil
1028	808235		Adapter-Oil Filter
1346	492031		Valve-Oil Drain Shut Off

Replacement Engine

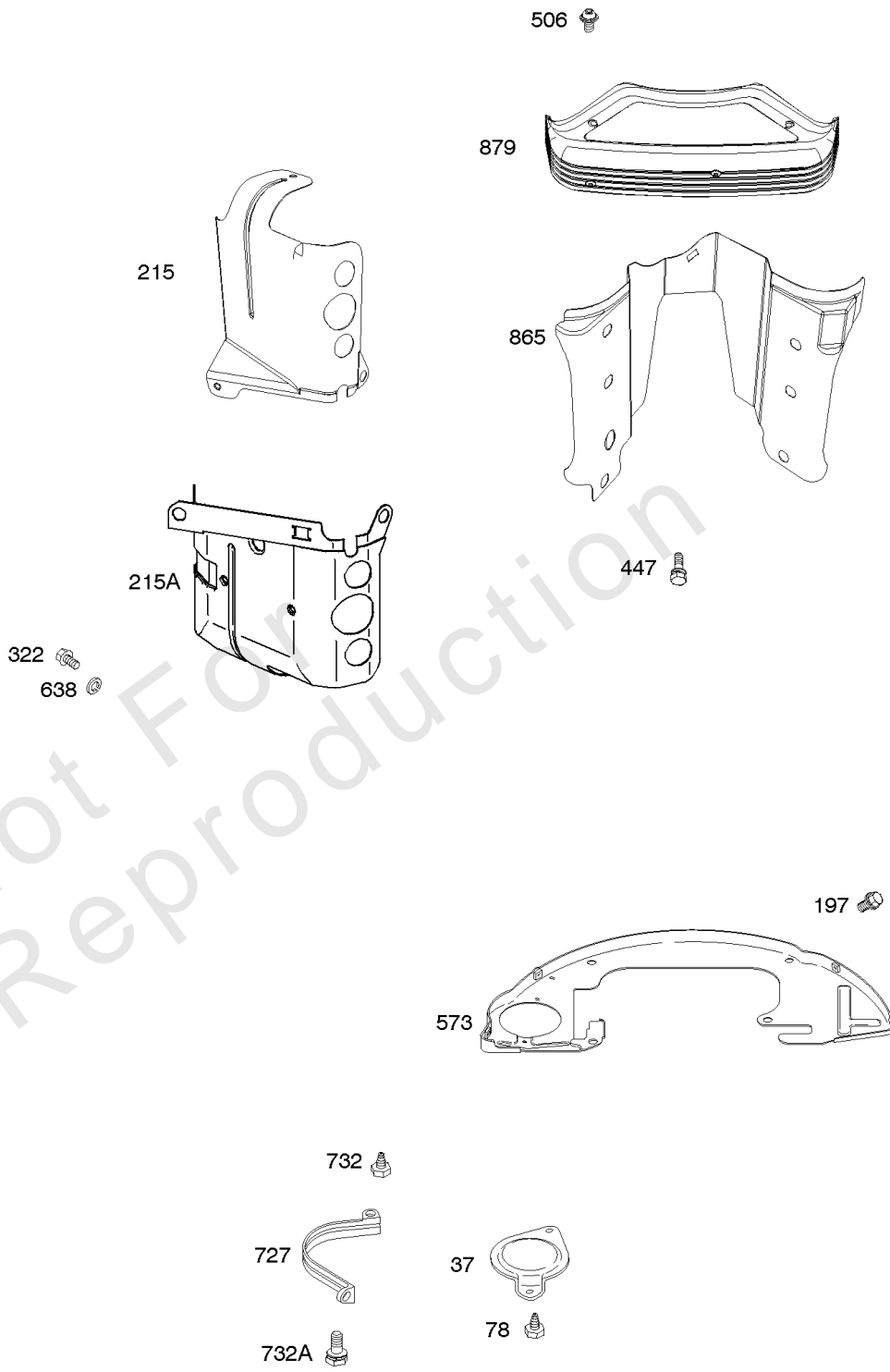
REF NO	PART NO	QTY	DESCRIPTION
--------	---------	-----	-------------

Not For
Reproduction



Rewind Starter, Blower Housing, Flywheel

REF NO	PART NO	QTY	DESCRIPTION
23A	841825		Flywheel
57	692086		Spring-Rewind Starter
58	66574		Rope-Starter
59	805957		Insert-Grip
60	808167		Grip-Starter Rope
65A	841233		Screw -(Rewind Starter)
73A	841440		Screen-Rotating
74A	841441		Screw -(Rotating Screen)
304	842681		Housing-Blower
305	692056		Screw -(Blower Housing)
305B	841233		Screw -(Blower Housing)
332	690887		Nut -(Flywheel)
363	19203		PULLER, Flywheel
455	841794		Cup-Flywheel
456	845219		Plate-Pawl Friction
459	845218		Pawl-Ratchet
493	845729		Bracket-Mounting
515	691528		Spring-Pawl
563	841735		Screw -(Debris Screen Guard)
592	690939		NUT -(Rewind Starter)
608	841729		Starter-Rewind
729	690586		Clip-Wire
930	846284		Guard-Rewind
949	845728		Guard-Debris Screen
1392	690939		NUT -(Rewind Guard)



Shrouds

REF NO	PART NO	QTY	DESCRIPTION
37	841309		Guard-Flywheel
78	690688		Screw -(Flywheel Guard)
197	807163		Screw -(Back Plate)
215	841183		Guide-Air -(Cylinder #1)
215A	841182		Guide-Air -(Cylinder #2)
322	841233		Screw -(Cylinder Head Cover)
447	807163		Screw -(Air Guide Cover)
506	807120		Screw -(Carburetor/EFI Cover)
573	841310		Plate-Back
638	691551		Washer -(Cylinder Head Cover)
727	841313		Cover-Starter Drive
732	690688		Screw -(Starter Drive Cover)
732A	841233		Screw -(Starter Drive Cover)
865	843768		Cover-Air Guide
879	841861		Cover-Carburetor/EFI -(NO LONGER AVAILABLE)

