

This catalog covers:
FJ100D-□G80

This fig. covers:
TITLE

PARTS CATALOG

4-STROKE ENGINE

FJ100D

PRODUCT CODE	NOTE
FJ100D-CG80	TILLER
FJ100D-DG80	

AG. BG から
・7→7変更. あり. (DGのみ)

This catalog covers:
FJ100D-□G80

PARTS CATALOG INTRODUCTION

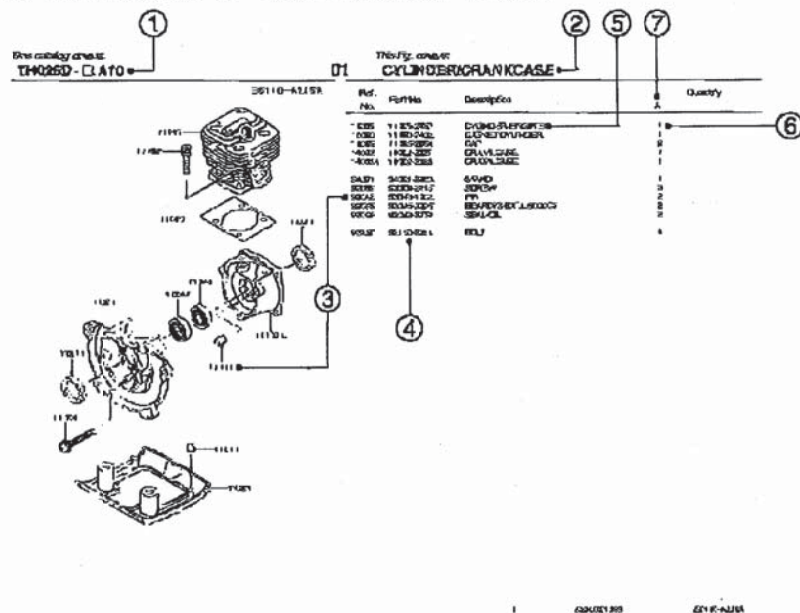
This parts catalog lists parts and sub-assemblies provided as service parts.

When it becomes necessary to replace parts, always use KAWASAKI GENUINE PARTS which have passed strict inspection which guarantees quality and performance.

1. HOW TO ORDER PARTS

- When ordering the parts, be sure to use the parts catalog corresponding to the product code. Check the product revision codes on the product and the catalog.
 Product Code (example) : FA130D-AA00
 Product Revision Code
- Specify the part code (all digits) exactly as listed in this catalog on your parts order.
- The parts not shown in the illustrations of this catalog are not sold separately; only the complete units or next higher assemblies illustrated are supplied as the service parts.

2. EXPLANATION OF PARTS CATALOG FORMAT



1) Product Code

This code describes the product code covered by this catalog. The product revision code, which is a part of the product code, is omitted.

2) Part Group Title

This title is the representative name for the group of parts illustrated on the page.

3) Reference Number

The reference numbers are shown on the illustration and the list as the link between them.

This fig. covers:

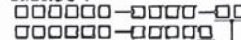
PARTS LIST INFORMATION

4) Part Number

This is the key of your parts ordering.

Three kinds of part number are used in this catalog.

a. Structure 1



Part Revision Code

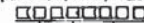
b. Structure 2



Color Code for Painted Part

c. Standard Hardware Number

(for bolts, nuts, washer, or the like)



Size Code

Material and Surface Treatment Code

Item Code

5) Description and Additional Information

The part name, the location, the size, and the serial number as additional information, etc. are described here. Use them to find out and check the part required.

When a part number is changed without change of the product revision code and the changed parts are not interchangeable, the serial number of the product is noted as follows;

- (FA130 - 100001) : Affected units are from beginning of the product of the product code up to and including this serial number.
 (FA130 - 100002 -) : Affected units are from this serial number and above.
 (FA130 - 100002 - FA130 - 110001) : Affected units are in this serial number range.

6) Quantity

The figure shows quantity of the part required at the indicated position on the illustration and for the specified product revision code.

The asterisk (*) on this column means the part can be used as the substitute on the product and is supplied until the stock is exhausted.

Note: Some small parts will be supplied by units.

Example: If six (6) balls are ordered and the minimum quantity per unit is five (5), two (2), units of the ball will be delivered.

7) Product Revision Code

This Code indicates an important change which affects the service parts interchangeability.

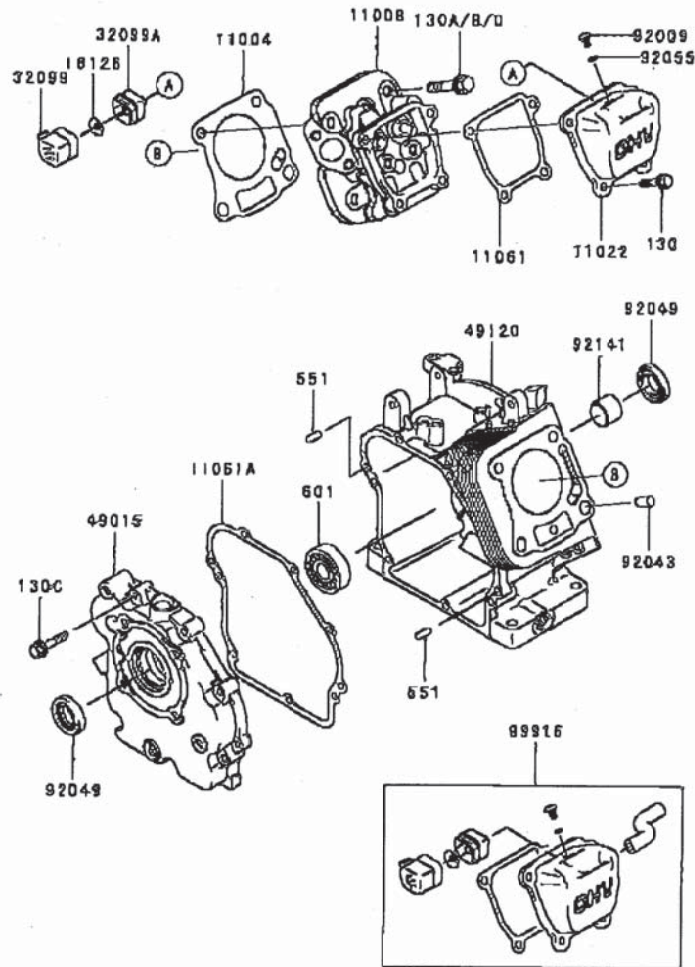
3. ABBREVIATIONS

#.....	Number	FR.....	Front	RH.....	Right Hand
&.....	And	G.....	Gram	RPM.....	Revolutions Per Minute
(+)	Plus	HEX.....	Hexagonal	RR.....	Rear
(-)	Minus	ID=.....	Inside Diameter	STD.....	Standard
2ND	Second	IN.....	Inch	T.....	Teeth
3RD	Third	L=.....	Length	T=.....	Thickness
4TH	Fourth	LH.....	Left Hand	U/S.....	Under Size
A.....	Ampere	LWR.....	Lower	UPP.....	Upper
AR.....	As Required	MM.....	Millimeter	V.....	Valve
ASSY.....	Assembly	O/S.....	Over Size	W.....	Wall
CNT.....	Center	OD=.....	Outside Diameter		
COMP.....	Complete	REF.....	Reference		

This catalog covers:
FJ100D- □ G80

01 **CYLINDER/CRANKCASE**

E0110-A504B



This fig. covers:

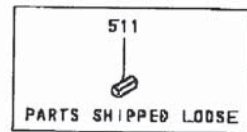
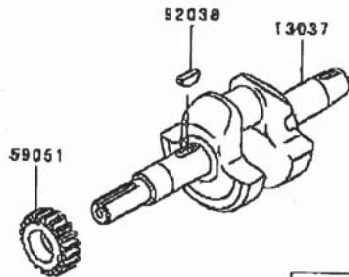
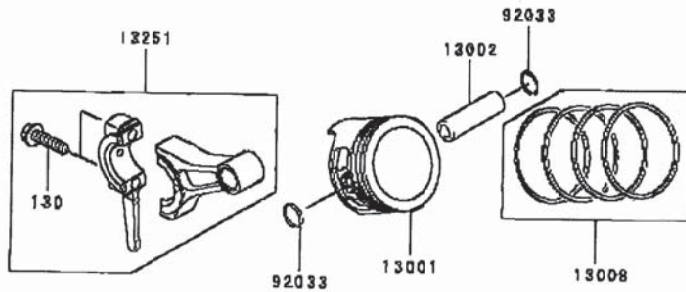
Ref. No.	Part No.	Description	Quantity	
			C	D
11004	11004-2143	GASKET-HEAD	1	1
11008	11008-2165	HEAD-COMP-CYLINDER	1	1
11022	11022-2080	CASE-ROCKER	1	1
11061	11061-2100	GASKET,CASE-ROCKER	1	1
11061A	11061-2104	GASKET,COVER-CRANKCA	1	1
16126	16126-2051	VALVE	1	1
32099	32099-2402	CASE	1	1
32099A	32099-2403	CASE	1	1
49015	49015-6278	COVER-CRANKCASE	1	1
49120	49120-6165	CRANKCASE-COMP	1	1
92009	92009-2322	SCREW	1	1
92043	92043-1037	PIN	2	2
92049	92049-2001	SEAL-OIL	2	2
92055	92055-1343	RING-O	1	1
92141	92141-2120	BEARING-PLANE	1	1
99916	99916-2175	KIT-KHI PARTS,CASE-ROCKER	AR	AR
130	130B0612	BOLT-FLANGED,6X12	4	4
130A	130CA0840	BOLT-FLANGED,8X40	4	4
130B	130CA0840	BOLT-FLANGED,8X40	4	4
130C	130G0630	BOLT-FLANGED,6X30	7	7
130D	130T0840	BOLT-FLANGED,8X40	*	
551	551A0812	PIN-DOWEL,6X12	2	2
601	601A6004	BEARING-BALL	1	1

This catalog covers:
FJ100D- □ G80

02 PISTON/CRANKSHAFT

E0120-A325A

This fig. covers:

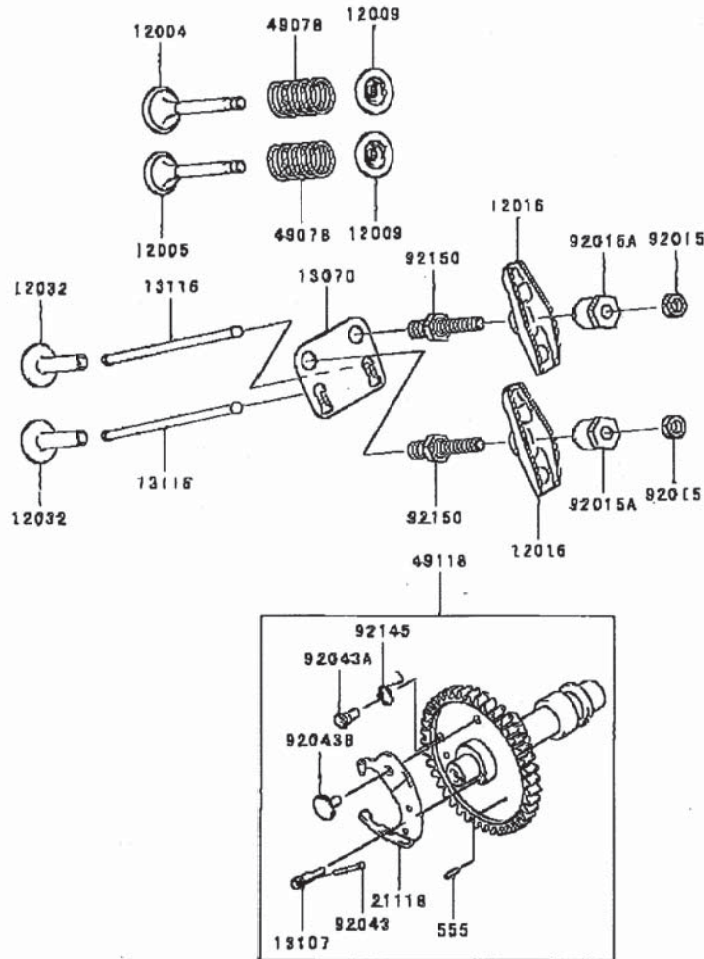


Ref. No.	Part No.	Description	Quantity	
			C	D
13001	13001-2155	PISTON-ENGINE	1	1
13002	13002-2083	PIN-PISTON	1	1
13008	13008-2061	RING-SET-PISTON	1	1
13037	13037-2581	CRANKSHAFT	1	1
13251	13251-2068	ROD-ASSY-CONNECTING	1	1
59051	59051-2375	GEAR-SPUR	1	1
92033	92033-2051	RING-SNAP	2	2
92038	92038-003	KEY	1	1
130	130G0625	BOLT-FLANGED,6X25	2	2
511	511A0516	KEY-SUNK	1	1

This catalog covers:
FJ100D- □ G80

03 VALVE/CAMSHAFT

E0130-A140A



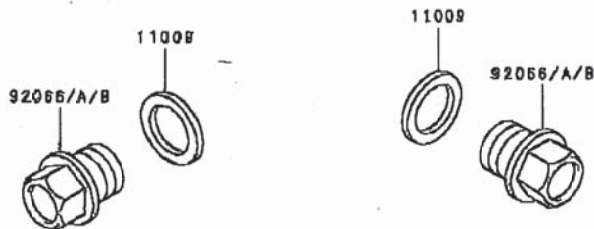
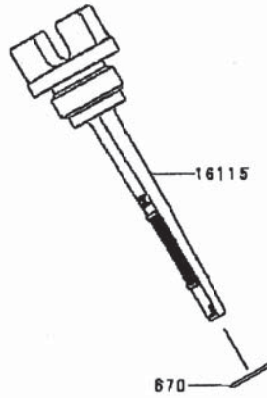
Ref. No.	Part No.	Description	Quantity	
			C	D
12004	12004-2118	VALVE-INTAKE	1	1
12005	12005-2104	VALVE-EXHAUST	1	1
12009	12009-2062	RETAINER-VALVE SPRING	2	2
12016	12016-2059	ARM-ROCKER	2	2
12032	12032-2065	TAPPET	2	2
13070	13070-2111	GUIDE,ROD-PUSH	1	1
13107	13107-2301	SHAFT	1	1
13116	13116-2075	ROD-PUSH	2	2
21118	21118-2094	DECOMPRESSOR	1	1
49078	49078-2085	SPRING-ENGINE VALVE	2	2
49118	49118-2156	CAMSHAFT-COMP	1	1
92015	92015-2240	NUT	2	2
92015A	92015-2253	NUT	2	2
92043	92043-2089	PIN	1	1
92043A	92043-2240	PIN,SPRING	1	1
92043B	92043-2242	PIN,DECOMPRESSOR	1	1
92145	92145-2107	SPRING	1	1
92150	92150-2198	BOLT	2	2
555	555A0208	PIN-SPRING,2X8	2	2

This catalog covers:
FJ100D- □ G80

This fig. covers:
04 LUBRICATION-EQUIPMENT

E0140-A332B

Ref. No.	Part No.	Description	Quantity	
			C	D
11009	11009-2175	GASKET,14.2X19X2	2	2
16115	16115-2128	CAP-OIL FILLER	1	1
92066	92066-2203	PLUG,DRAIN	*	
92066A	92066-2253	PLUG,14X12		2
92066B	92066-2253	PLUG,14X12	2	
670	670B2015	O RING,15MM	1	1

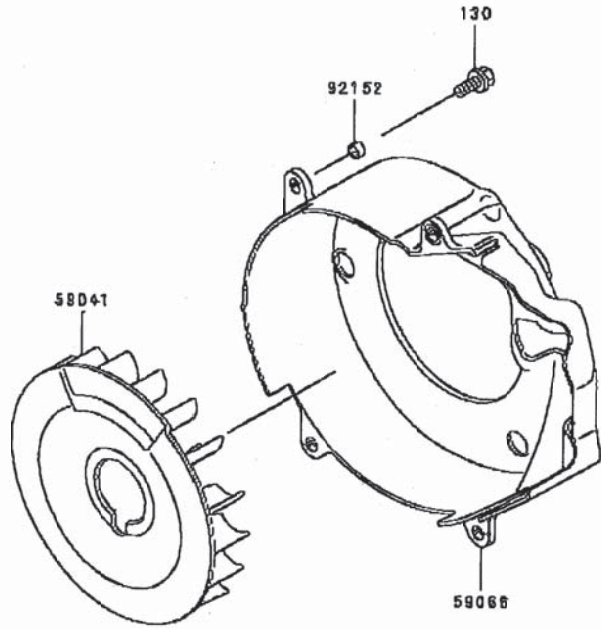


This catalog covers:
FJ100D- □ G80

05 COOLING-EQUIPMENT

E0150-A625A

Ref. No.	Part No.	Description	Quantity	
			C	D
59041	59041-2095	FAN	1	1
59066	59066-2790	HOUSING-FAN	1	1
92152	92152-2082	COLLAR	4	4
130	130G0614	BOLT-FLANGED,6X14	4	4

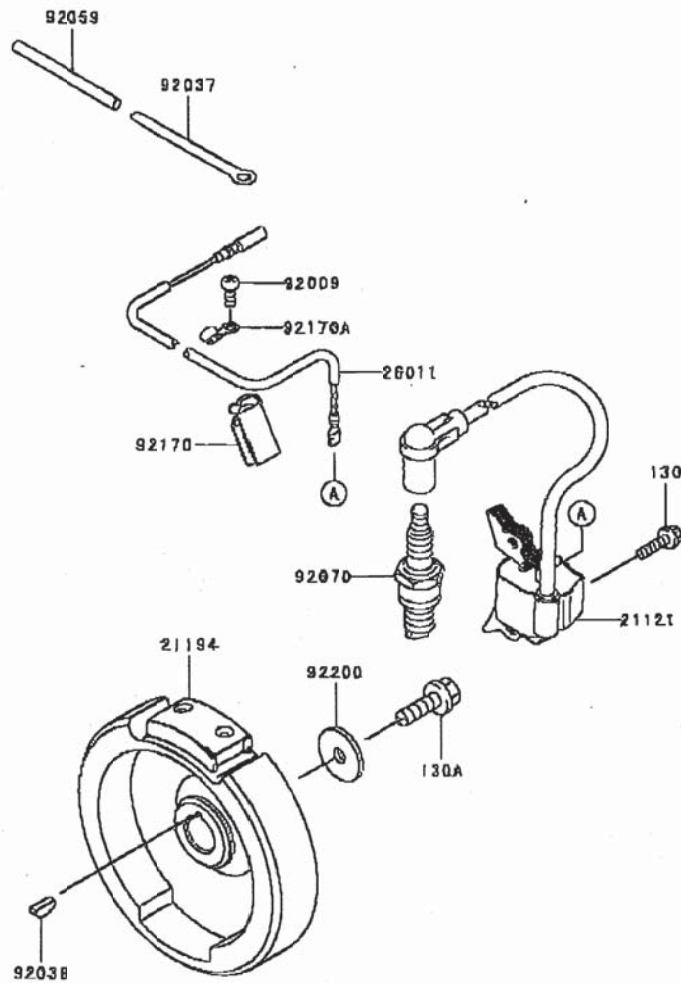


This catalog covers:
FJ100D- □ G80

06 ELECTRIC-EQUIPMENT

E0160-B021A

This fig. covers:

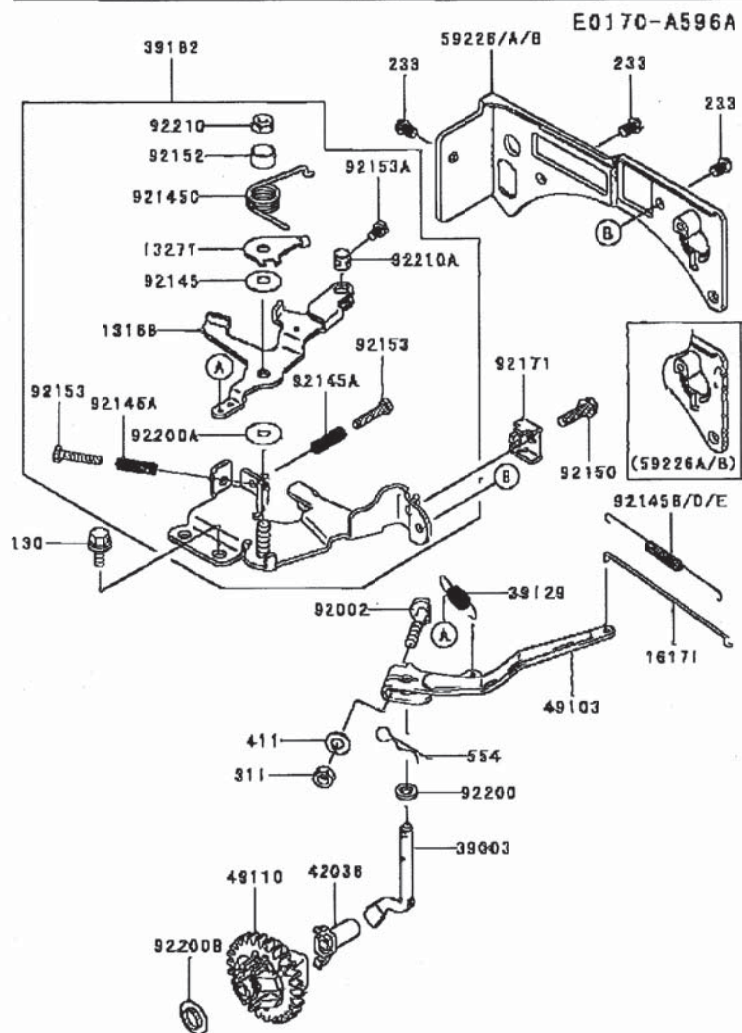


Ref. No.	Part No.	Description	Quantity	
			C	D
21121	21121-2101	COIL-IGNITION	1	1
21194	21194-2346	FLYWHEEL-COMP	1	1
26011	26011-2381	WIRE-LEAD	1	1
92009	92009-2308	SCREW	1	1
92037	92037-2006	CLAMP	1	1
92038	92038-003	KEY	1	1
92059	92059-2011	TUBE,5X6X75	1	1
92070	92070-2117	PLUG-SPARK,BR6HS(NGK),SOLID	1	1
92170	92170-2017	CLAMP	1	1
92170A	92170-2029	CLAMP	1	1
92200	92200-2142	WASHER	1	1
130	130B0520	BOLT-FLANGED,5X20	2	2
130A	130T0825	BOLT-FLANGED,8X25	1	1

This catalog covers:
FJ100D- □ G80

07

This fig. covers:
CONTROL-EQUIPMENT

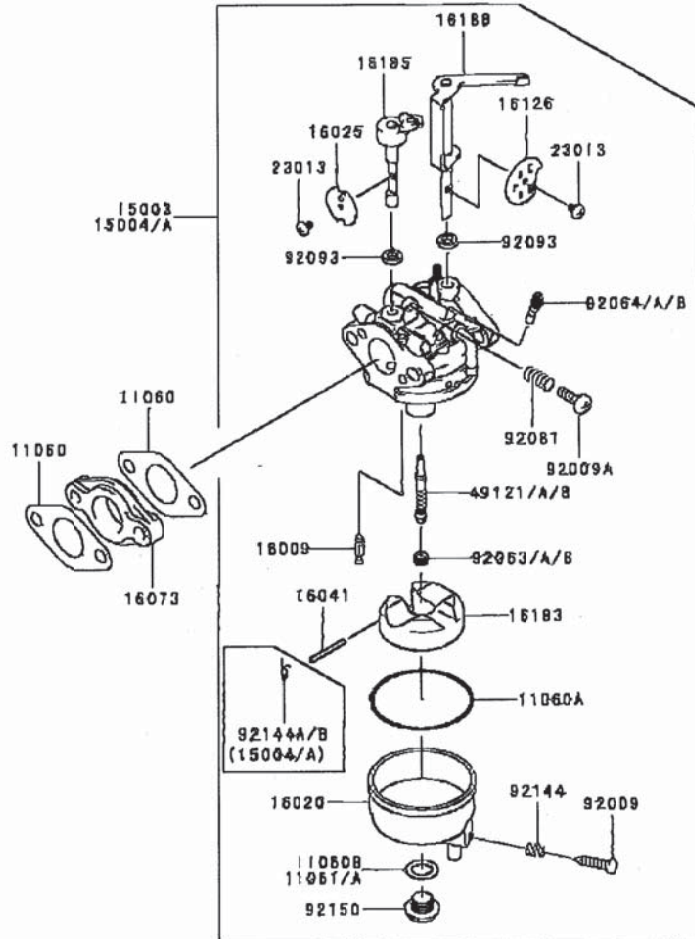


Ref. No.	Part No.	Description	Quantity	
			C	D
13168	13168-2494	LEVER	1	1
13271	13271-2241	PLATE	1	1
16171	16171-2099	LINK	1	1
39003	39003-2094	ARM-PIVOT	1	1
39129	39129-2174	SPRING-GOVERNOR	1	1
39182	39182-2184	PANEL-ASSY-CONTROL	1	1
42038	42038-2051	SLEEVE	1	1
49103	49103-2166	ARM-GOVERNOR	1	1
49110	49110-2101	GOVERNOR-ASSY	1	1
59226	59226-2344	PANEL-CONTROL	*	
59226A	59226-2356	PANEL-CONTROL		1
59226B	59226-2356	PANEL-CONTROL	1	
92002	92002-2269	BOLT,6X28	1	1
92145	92145-2108	SPRING	1	1
92145A	92145-2109	SPRING	2	2
92145B	92145-2139	SPRING	*	
92145C	92145-2141	SPRING	1	1
92145D	92145-2163	SPRING	1	1
92145E	92145-2163	SPRING	1	1
92150	92150-2182	BOLT,5X18	1	1
92152	92152-2081	COLLAR	1	1
92153	92153-2067	BOLT,4X22	2	2
92153A	92153-2086	BOLT,4X8	1	1
92171	92171-2077	CLAMP	1	1
92200	92200-2029	WASHER,6.5X11.5X2.0	1	1
92200A	92200-2141	WASHER,6.3X18X1	1	1
92200B	92200-2158	WASHER	1	1
92210	92210-2095	NUT,LOCK,6MM	1	1
92210A	92210-2102	NUT	1	1
130	130B0612	BOLT-FLANGE0,6X12	2	2
233	233F0508	SCREW-PAN-WP+,.5X8	3	3
311	311B0600	NUT-HEX,6MM	1	1
411	411B0600	WASHER-PLAIN,6MM	1	1
554	554A0600	PIN-SNAP,1.2X21.2	1	1

This catalog covers:
FJ100D- □ G80

08 CARBURETOR

E0180-A694D

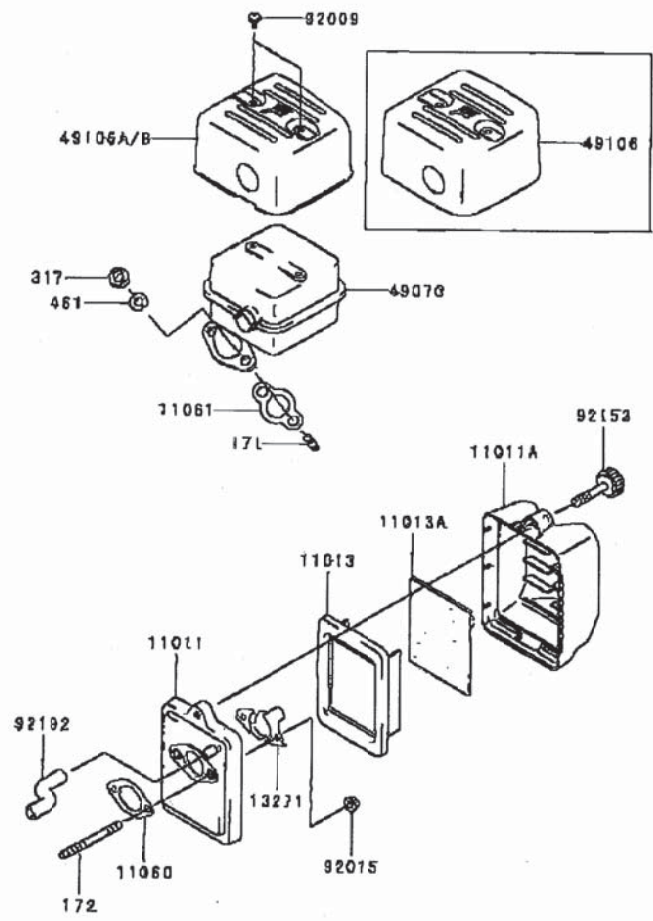


Ref. No.	Part No.	Description	Quantity	
			C	D
11060	11060-2051	GASKET,CARBURETOR	2	2
11060A	11060-2190	GASKET	1	1
11060B	11060-2191	GASKET	1	1
11061	11061-2181	GASKET	1	1
11061A	11061-2181	GASKET	1	1
15003	15003-2962	CARBURETOR-ASSY	1	1
		(FJ100-028053)		
15004	15004-2013	CARBURETOR-ASSY	1	1
15004A	15004-2013	CARBURETOR-ASSY	1	1
		(FJ100-028054 -		
		NEEDLE-JET	1	1
16009	16009-2136	CHAMBER-FLOAT	1	1
16020	16020-2150	CHAMBER-FLOAT	1	1
16025	16025-2166	VALVE-THROTTLE	1	1
16041	16041-2224	SHAFT-CARBURETOR,FLOAT	1	1
16073	16073-2225	INSULATOR	1	1
16126	16126-2236	VALVE	1	1
16183	16183-2002	FLOAT-ASSY	1	1
16185	16185-2044	VALVE-ASSY-THROTTLE	1	1
16186	16186-2039	VALVE-ASSY-CHOKE	1	1
23013	23013-2058	SCREW-ASSY	2	2
49121	49121-2256	NOZZLE-MAIN	1	1
		(FJ100-028053)		
49121A	49121-2262	NOZZLE-MAIN	1	1
49121B	49121-2262	NOZZLE-MAIN	1	1
		(FJ100-028054 -		
92009	92009-2348	SCREW	1	1
92009A	92009-2349	SCREW	1	1
92063	92063-2431	JET-MAIN,#54	1	1
		(FJ100-028053)		
92063A	92063-2442	JET-MAIN,#60	1	1
92063B	92063-2442	JET-MAIN,#60	1	1
		(FJ100-028054 -		
92064	92064-2134	JET-PILOT,#46	1	1
92064A	92064-2134	JET-PILOT,#46	1	1
		(FJ100-028054 -		
92064B	92064-2146	JET-PILOT,#62	1	1
		(FJ100-028053)		
92081	92081-2234	SPRING	1	1
92093	92093-2100	SEAL	2	2
92144	92144-2333	SPRING	1	1
92144A	92144-2335	SPRING	1	1
92144B	92144-2335	SPRING	1	1
92150	92150-2263	BOLT	1	1

This catalog covers:
FJ100D- □ G80

09 AIR-FILTER/MUFFLER

E0190-A983A

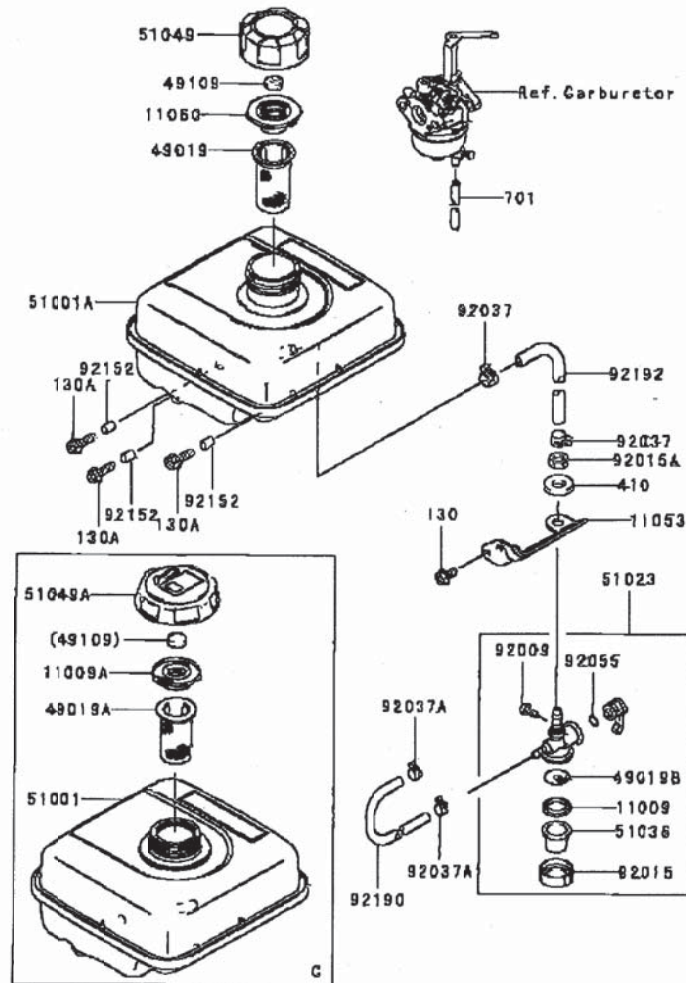


Ref. No.	Part No.	Description	Quantity	
			C	D
11011	11011-2350	CASE-AIR FILTER	1	1
11011A	11011-2351	CASE-AIR FILTER	1	1
11013	11013-2214	ELEMENT-AIR FILTER	1	1
11013A	11013-2215	ELEMENT-AIR FILTER	1	1
11060	11060-2049	GASKET,AIR FILTER	1	1
11061	11061-2102	GASKET,MUFFLER	1	1
13271	13271-2239	PLATE	1	1
49070	49070-2746	MUFFLER-COMP	1	1
49108	49108-2666	COVER-MUFFLER	1	1
49108A	49108-2671	COVER-MUFFLER		1
49108B	49108-2671	COVER-MUFFLER	1	
92009	92009-2322	SCREW	2	2
92015	92015-1193	NUT	2	2
92153	92153-2106	BOLT,6X30	1	1
92192	92192-2082	TUBE,7X12X77	1	1
171	171G0816	BOLT-STUD,8X16	2	2
172	172G0673	BOLT-STUD,6X73	2	2
317	317R0800	NUT-HEX-SMALL,8MM	2	2
461	461F0800	WASHER-SPRNG,8MM	2	2

This catalog covers:
FJ100D- □ G80

This fig. covers:
10 FUEL-TANK/FUEL-VALVE

E0200-A6108

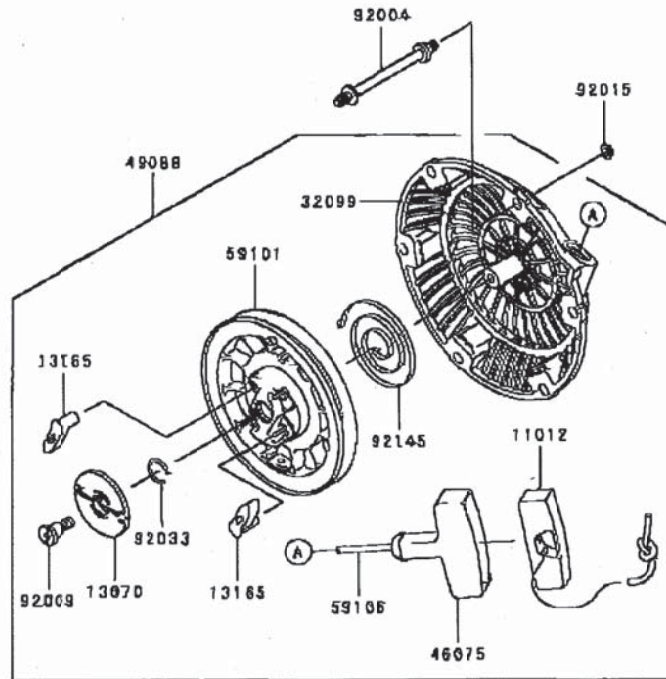


Ref. No.	Part No.	Description	Quantity	
			C	D
11009	11009-2021	GASKET	1	1
11009A	11009-2831	GASKET,BREATHER	1	1
11053	11053-2100	BRACKET	1	1
11060	11060-2145	GASKET		1
49019	49019-2052	FILTER-FUEL		1
49019A	49019-2060	FILTER-FUEL	1	
49019B	49019-2095	FILTER-FUEL	1	1
49109	49109-2054	ELEMENT-BREATHER,TANK	1	1
51001	51001-2320	TANK-COMP-FUEL	1	
51001A	51001-2326	TANK-COMP-FUEL		1
51023	51023-2131	TAP-ASSY	1	1
51036	51036-2063	CUP,FUEL TAP	1	1
51049	51049-2087	CAP-TANK		1
51049A	51049-2103	CAP-TANK	1	
92009	92009-2004	SCREW	1	1
92015	92015-2007	NUT	1	1
92015A	92015-2317	NUT	1	1
92037	92037-2113	CLAMP	2	2
92037A	92037-2116	CLAMP	2	2
92055	92055-2002	RING-O	1	1
92152	92152-2080	COLLAR	3	3
92190	92190-2040	TUBE,4X8X180	1	1
92192	92192-2081	TUBE,TUBE,6X10X230	1	1
130	130B0612	BOLT-FLANGED,6X12	2	2
130A	130G0620	BOLT-FLANGED,6X20	3	3
410	410B1000	W-PLAIN-S,10MM	1	1
701	701Q051000	TUBE-PVC	1	1

This catalog covers:
FJ100D- □ G80

11 STARTER

E0210-A322A



Ref. No.	Part No.	Description	Quantity	
			C	D
11012	11012-2255	CAP,GRIP	1	1
13070	13070-2112	GUIDE	1	1
13165	13165-2099	PAWL,RECOIL STARTER	2	2
32099	32099-2382	CASE,RECOIL STARTER	1	1
46075	46075-2091	GRIP,RECOIL STARTER	1	1
49080	49080-2186	PULLEY-STARTING	1	1
49088	49088-2514	STARTER-RECOIL	1	1
59101	59101-2113	REEL,RECOIL STARTER	1	1
59106	59106-2162	ROPE,4X1450	1	1
92004	92004-2156	STUD	3	3
92009	92009-2347	SCREW	1	1
92015	92015-1193	NUT	3	3
92033	92033-2160	RING-SNAP	1	1
92145	92145-2121	SPRING	1	1

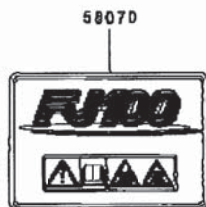
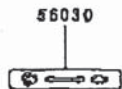
This catalog covers:
FJ100D- □ G80

12

This fig. covers:
LABEL

F0290-B203A

Ref. No.	Part No.	Description	Quantity	
			C	D
56030	56030-2600	LABEL	1	1
56030A	56030-2603	LABEL	1	1
56070	66070-2071	LABEL-WARNING	1	1
56080	56080-2077	LABEL-BRAND	1	1
56080A	56080-2392	LABEL-BRAND	1	1



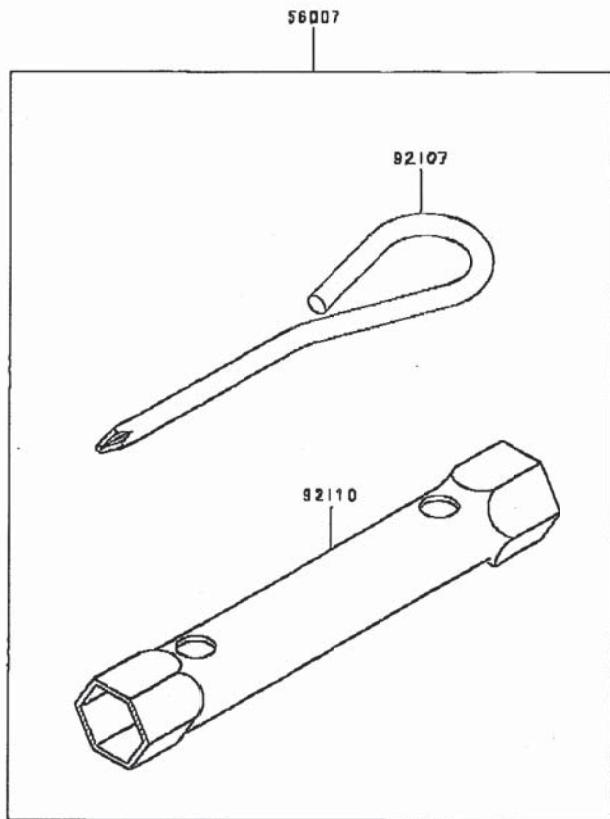
This catalog covers:
FJ100D- □ G80

13

This fig. covers:
TOOL

F0300-A001A

Ref. No.	Part No.	Description	Quantity	
			C	D
56007	56007-2051	TOOLKIT	1	1
92107	92107-2057	TOOL-DRIVER	1	1
92110	92110-2051	TOOL-WRENCH, 19X21	1	1



This catalog covers:

FJ100D- □ G80

This fig. covers:

PART NAME INDEX

AIR-FILTER/MUFFLER.....	09
CARBURETOR.....	08
CONTROL-EQUIPMENT.....	07
COOLING-EQUIPMENT.....	05
CYLINDER/CRANKCASE.....	01
ELECTRIC-EQUIPMENT.....	06
FUEL-TANK/FUEL-VALVE.....	10
LABEL.....	12
LUBRICATION-EQUIPMENT.....	04
PISTON/CRANKSHAFT.....	02
STARTER.....	11
TOOL.....	13
VALVE/CAMSHAFT.....	03

This catalog covers:

FJ100D- G80

This fig. covers:

NUMERICAL PARTS INDEX

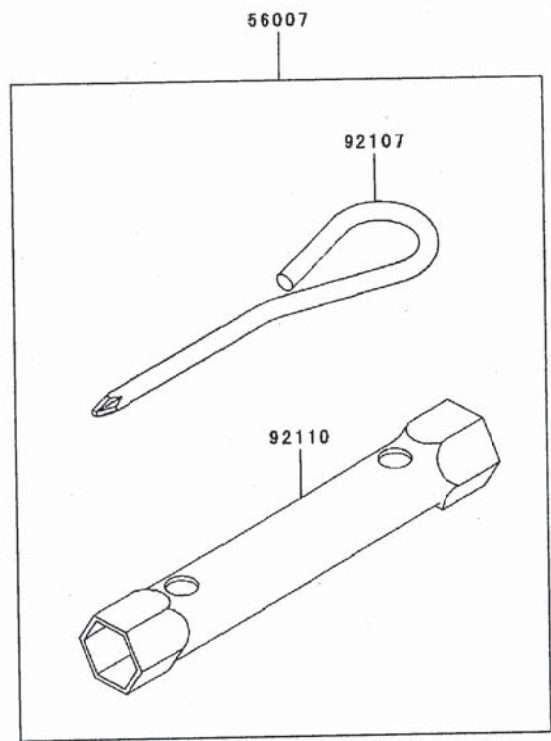
Part No.	Fig No.	Part No.	Fig No.	Part No.	Fig No.	Part No.	Fig No.	Part No.	Fig No.
11004-2143	01	16115-2128	04	56070-2071	12	92144-2335	08		
11008-2165	01	16126-2051	01	56080-2077	12	92144-2335	08		
11009-2021	10	16126-2235	08	56080-2382	12	92145-2107	03		
11009-2175	04	16171-2099	07	59041-2095	05	92145-2108	07		
11009-2331	10	16183-2002	08	59051-2375	02	92145-2109	07		
11011-2350	09	16185-2044	08	59066-2790	05	92145-2121	11		
11011-2351	09	16186-2039	08	59101-2113	11	92145-2139	07		
11012-2255	11	171G0816	09	59106-2182	11	92145-2141	07		
11013-2214	09	172G0673	09	59226-2344	07	92145-2163	07		
11013-2215	09	21118-2094	03	59226-2356	07	92145-2163	07		
11022-2080	01	21121-2101	06	59226-2356	07	92150-2182	07		
11053-2100	10	21194-2346	06	601A6004	01	92150-2198	03		
11060-2049	09	23013-2058	08	670B2015	04	92150-2263	08		
11060-2051	08	233F0508	07	7010051000	10	92152-2080	10		
11060-2145	10	26011-2381	08	82002-2269	07	92152-2081	07		
11060-2190	08	31180600	07	82004-2156	11	92152-2082	05		
11060-2191	08	317R0800	09	92009-2004	10	92153-2067	07		
11061-2100	01	32069-2382	11	92009-2308	06	92153-2086	07		
11061-2102	09	32099-2402	01	92009-2322	09	92153-2105	09		
11061-2104	01	32099-2403	01	92009-2347	11	92170-2017	06		
11061-2181	08	39003-2094	07	92009-2348	08	92170-2029	06		
11061-2181	08	39129-2114	07	92009-2349	08	92171-2077	07		
12004-2118	03	39182-2184	07	92015-1193	09	92180-2040	10		
12005-2104	03	410B1000	10	92015-1193	11	92192-2081	10		
12009-2062	03	41180600	07	92015-2007	10	92182-2082	08		
12016-2059	03	42096-2051	07	92015-2240	03	92200-2028	07		
12032-2065	03	46075-2091	11	92015-2253	03	92200-2141	07		
13001-2155	02	461F0800	09	92015-2317	10	92200-2142	06		
13002-2083	02	49015-6278	01	92033-2851	02	92200-2158	07		
13008-2061	02	49019-2052	10	92033-2180	11	92210-2095	07		
13037-2581	02	49019-2060	10	92037-2008	06	92210-2102	07		
13070-2111	03	49070-2746	09	92037-2113	10	96916-2175	01		
13070-2112	11	49078-2085	03	92037-2116	10				
130B0520	06	49080-2196	11	92038-003	02				
130B0612	01	49088-2514	11	92038-003	06				
130B0612	07	49103-2166	07	92043-1037	01				
130B0612	10	49106-2668	09	92043-2089	03				
130CA0840	01	49106-2671	09	92043-2240	03				
130CA0840	01	49106-2671	08	92043-2242	03				
130G0614	06			92049-2001	01				
130G0620	10	49109-2054	10	92056-1343	01				
130G0625	02	49110-2101	07	92055-2002	10				
130G0630	01	49118-2156	03	92059-2011	06				
130T0825	06	49120-6165	01	92063-2431	08				
130T0840	01	49121-2296	08	92063-2442	08				
13107-2301	03	49121-2282	08	92063-2442	08				
13116-2075	03	49121-2292	08	92064-2134	08				
13165-2099	11	51001-2320	10	92064-2134	08				
13168-2434	07	51001-2326	10	92064-2146	08				
13251-2058	02	51023-2131	10						
13271-2239	09	51036-2063	10	92066-2203	04				
13271-2291	07	51049-2087	10	92066-2253	04				
15003-2962	08	51049-2103	10	92066-2253	04				
15004-2013	08	511A0516	02	92070-2117	06				
15004-2013	08	551A0612	01	92081-2234	08				
16009-2136	08	554A0600	07	92083-2100	08				
16020-2150	08	555A0208	03	92107-2057	13				
16025-2168	08	56007-2051	13	92110-2051	13				
16041-2224	08	56030-2600	12	92141-2120	01				
16073-2225	08	56030-2603	12	92144-2333	08				

FJ100D-□G80

13. 付属品

F0300-A048A

見出 番号	部品番号	部品名	個数	
			A	B
56007	56007-2051	ツールキット	1	1
92107	92107-2057	ツール(ドライバ)	1	1
92110	92110-2051	ツール(レンチ),19X21	1	1

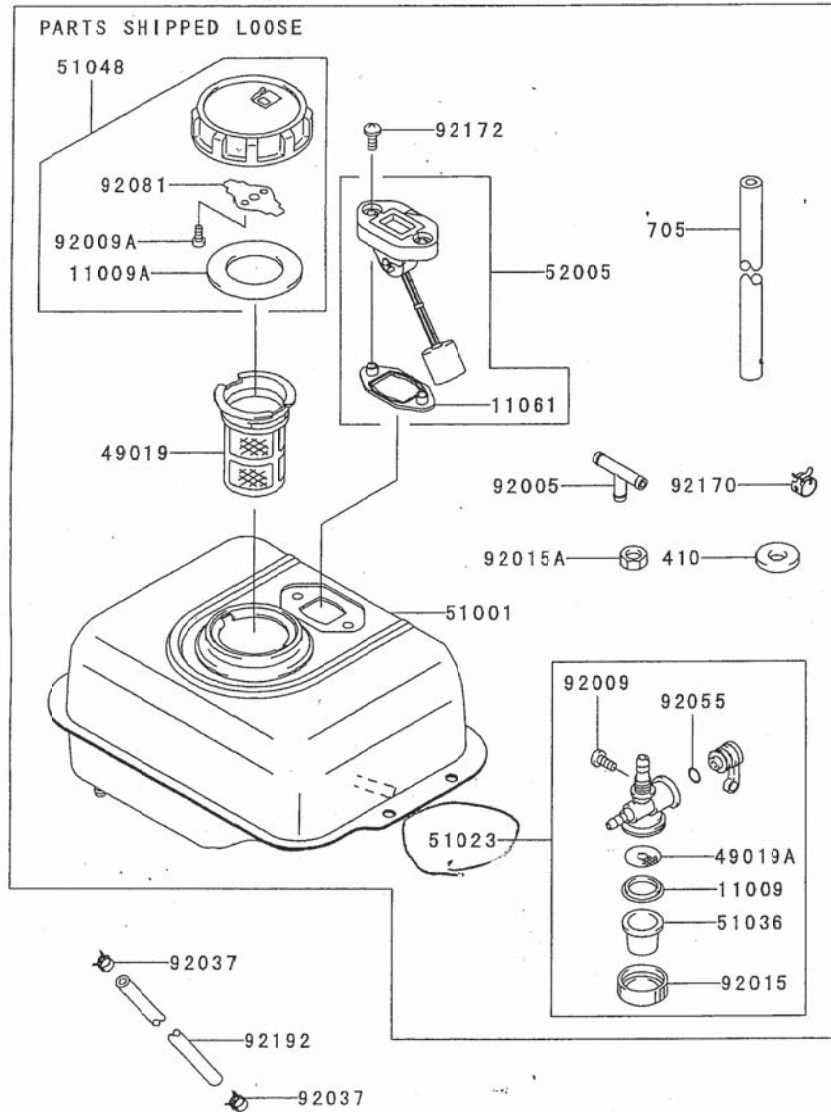


This catalog covers:

FJ100D- □ G81

運搬車用

E0200-A491A



This covers:

10

FUEL-TANK/FUEL-VALVE

Ref. No.	Part No.	Description	A
11009	11009-2021	GASKET	1
11009A	11009-2115	GASKET	1
11061	11061-2077	GASKET	1
49019	49019-2051	FILTER-FUEL	1
49019A	49019-2095	FILTER-FUEL	1
51001	51001-2322-9H	TANK-COMP-FUEL	1
51023	51023-2131	TAP-ASSY	1
51036	51036-2063	CUP,FUEL TAP	1
51048	51048-2055	CAP-ASSY-TANK	1
52005	52005-2139	GAUGE	1
92005	92005-1143	FITTING	1
92009	92009-2004	SCREW	1
92009A	92009-2021	SCREW	2
92015	92015-2007	NUT	1
92015A	92015-2317	NUT	1
92037	92037-2116	CLAMP	2
92055	92055-2002	RING-O	1
92081	92081-2036	SPRING	1
92170	92170-2082	CLAMP	6
92172	92172-2064	SCREW,5X12	2
92192	92192-2105	TUBE,4X8X300	1
410	410B1000	W-PLAIN-S	1
705	705A061000	TUBE-BRAID	3